



CREATING A CLEANER, SAFER, HEALTHIER WORLD.

EQUIPMENT



# 636

## SAFETY AND PRODUCTIVITY WITH COMPACT, VERSATILE AIR SWEEPER

- CloudMaker® wet dust control technology provides exceptional dust control, while using up to 70% less water than standard water spray
- Designed with safety and comfort in mind – fully adjustable suspension seat, ergonomic controls and the optional LCD screen offers all-around visibility
- Powerful suction system allows effective pick-up of almost all types of debris



## OUTSMART DUST AND DEBRIS WITH THE VERSATILE 636 AIR SWEEPER



Let your public space speak for itself. The 636 makes a positive impression in congested downtown spaces, parking decks, or any outdoor area where a professional sweeping job is required.

### INNOVATIVE DUST CONTROL

Exposure to fine dust particle pollution has been linked to a variety of health problems and is a pressing issue given today's environmental concerns. The 636 air sweeper captures fine dust particulates while using up to 70% less water than traditional street sweepers, thanks to its three-stage dust filtration system and CloudMaker® wet dust control technology.

### SOLID CONSTRUCTION

With stainless steel and other high quality, non-corroding materials, the 636 is built to last. Its fully independent suspension system ensures a smooth ride through a variety of rough outdoor surfaces.

### SPEEDY AND PRODUCTIVE

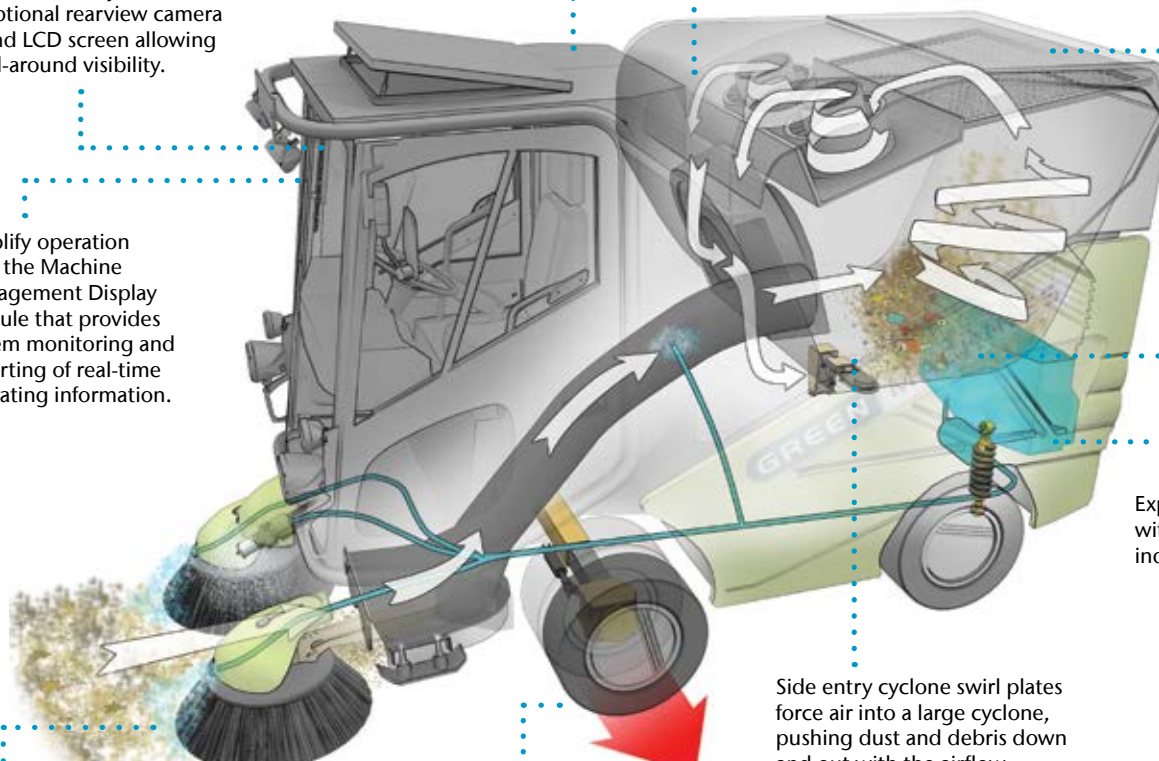
Operators arrive at the job quickly and safely thanks to the 636 rapid 20 mph / 32 km/h transport speed, stabilizing Vari-track™ extendable front track, and transmission with 4-wheel drive. At work, adjustable brush pressure allows easy pick-up of wet and dry debris of almost any size and substance. The debris then goes directly into the hopper, thanks to the straight suction tube which limits the risk of tube blockage. With a cyclone effect inside the hopper, debris is compacted effectively which helps to reduce the number of dump-cycles during a working shift.

### ENHANCED VISIBILITY

The 636 provides increased visibility during the day and at night with standard LED rear lights, side indicators and working lights. Front headlights are also available as an LED option.

INSIDE THE

# 636



Reliable, durable construction to last for years to come.

Increase safety with optional rearview camera and LCD screen allowing all-around visibility.

Simplify operation with the Machine Management Display Module that provides system monitoring and reporting of real-time operating information.

Easily sweep around obstacles with independently operated dual brooms for detailed cleaning wherever needed. Sweep all surfaces with cab-controlled brush pressure and around any obstacles with independent brush control.

Safely travel at higher speeds with remarkable stability thanks to the Vari-track™ extendable front track.

Low maintenance twin cyclones create a cyclonic action that spins virtually all of the remaining dust out of the airflow before the air is discharged from the rear of the machine. The remaining dust falls down into the hopper.

The air passes through stainless steel filter screens.

Increase sweeping efficiency with a 1.3 yd<sup>3</sup> / 1 m<sup>3</sup> stainless steel hopper and with 1,323 lb / 600 kg capacity.

Experience a car-quality ride with 4-wheel drive and fully independent suspension.

Side entry cyclone swirl plates force air into a large cyclone, pushing dust and debris down and out with the airflow.

Quick and easy routine maintenance and service with complete access to all major systems.

Machine Management Module



CloudMaker® Wet Dust Control



Adjustable Brush Controls



Radio and optional LCD Screen



- Reduce rework, labor and safety costs by using only TennantTrue parts and service.
- Ensure optimal cleaning performance by selecting a TennantTrue Service program provided by a network of over 400 factory-trained Tennant service representatives.
- Improve uptime by leveraging TennantTrue parts and service.
- Simplify budgeting by bundling TennantTrue service plans, including parts, into the purchase or financing of your machine.

Choose GE Capital or U.S. Bancorp,  
our leasing providers, for simple, quick  
financing with flexible upgrade options.

## 636 MACHINE SPECIFICATIONS

### SWEEPING SYSTEM

Cleaning path: minimum (brushes in)	51 in / 1,300 mm
Maximum (brushes fully extended)	81 in / 2,050 mm
Hopper volume capacity	1.3 yd <sup>3</sup> / 1 m <sup>3</sup>
Weight capacity: payload*	1,323 lb / 600 kg
Hopper material	Stainless Steel

### DUST CONTROL SYSTEM

Dust filtration system	Three-stage filtration
Stage 1	Side entry cyclone swirl plate
Stage 2	Stainless steel filter screen
Stage 3	Twin cyclones
Side brush dust suppression system	
CloudMaker® wet dust control	Standard
Vacuum impeller	12 blade alloy steel

### PROPELLING SYSTEM

Engine, standard, Kubota 1505T diesel	42 hp / 31.4 kW
Suspension: front & rear	Fully independent suspension
Travel speed*	up to 20 mph / 32 km/h
Sweeping speed	0-8 mph / 0-13 km/h
Gradeability	9 deg / 16%
Ground clearance	5 in / 130 mm

### MACHINE SPECIFICATIONS

Length (with brushes)	141 in / 3,580 mm
Width	45 in / 1,140 mm
Height (beacon folded down)	78 in / 1,980 mm
Weight: net	
Curb Weight**	4,299 lbs / 1,950 kg
GVWR	6,173 lbs / 2,800 kg
Wheel base	55 in / 1,400 mm
Turning dimensions	
Curb-to-curb	128 in / 3,250 mm
Wall-to-wall	161 in / 4,100 mm

### OPTIONAL EQUIPMENT

Air conditioning	Snow brush
Rear camera and LCD monitor with night vision	V or angle plow
Customized coloring	Rear gritter
Central lubrication, 30 pts	Street washer
Air Suspension	CityScrub™

For more options or accessories please contact your local Tennant representative.

### WARRANTY

See your local representative for warranty information

\*where permitted

\*\*ready to sweep

Specifications are subject to change

## SEEING IS BELIEVING

For a demonstration or additional information,  
call +1.800.553.8033 or email [info@tennantco.com](mailto:info@tennantco.com)

Tennant  
701 North Lilac Drive  
Minneapolis, MN 55422 USA

USA/Canada: +1.800.553.8033  
Quebec: +1.800.361.9050  
Overseas: +1.763.540.1315