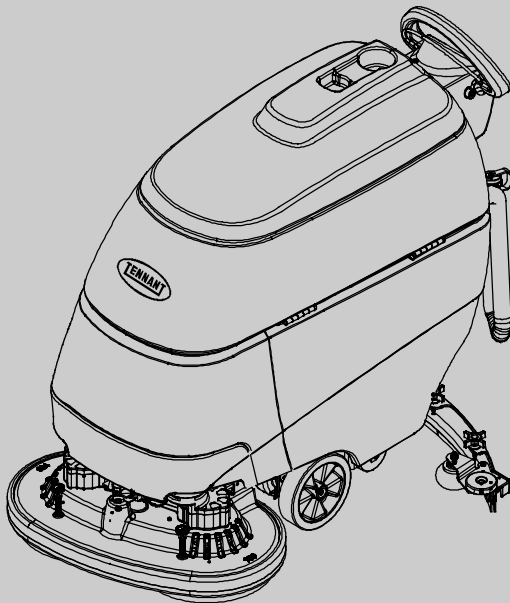
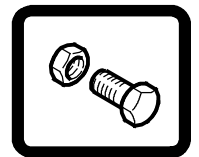




T5

Automatic Scrubber

Parts Manual



Foam Scrubbing Technology
The Safe Scrubbing Alternative[®]



Hygenic[®] Fully Cleanable Tanks

QA Controls[™]

TennantTrue[®] Parts

IRIS[®] a Tennant Technology



For the latest Parts manuals and other language Operator manuals, visit:

www.tennantco.com/manuals

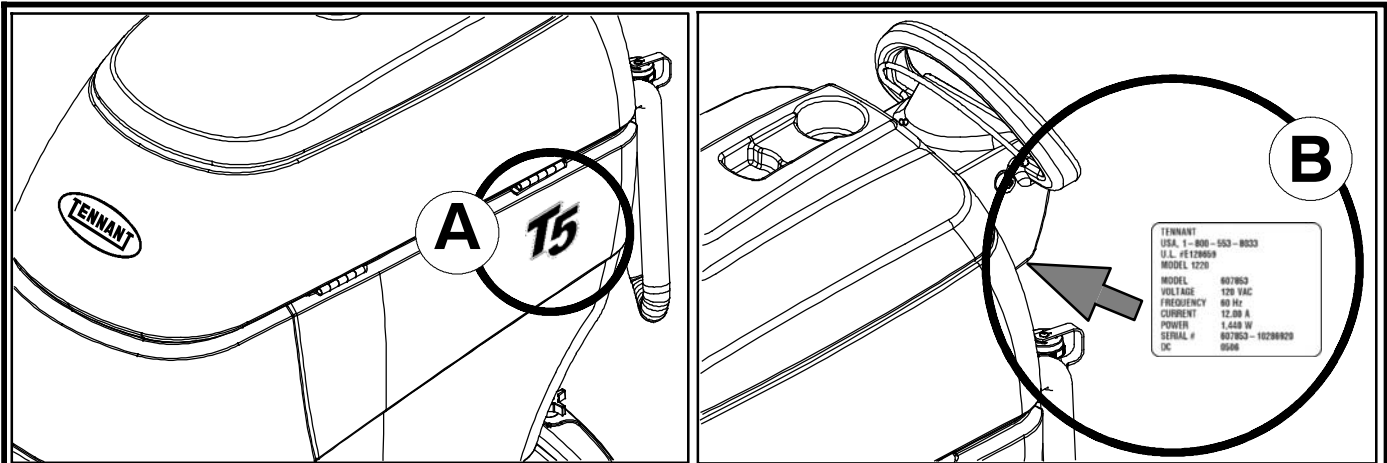
North America / International

www.tennantco.com

9002329

Rev. 17 (06-2017)





Ref	Part No.	Serial Number	Description	Qty.
1	82681	(000000-)	Bracket Wldt, Lpg Mount	1
▽ 2	63810	(000000-)	Latch Assy, Lpg Tank Mtg, W/Nut	4
▲ 3	51839	(000000-)	Nut Adjustable, Lpg Tank Mtg	2
4	49263	(000000-)	Tie, Cable	3
(D)	82556	(000000- 001039)	Bracket, Vaporizer	1
	54930	(000000-)	Vaporizer, LPG	1

HOW TO ORDER PARTS - See diagram above

Only use TENNANT Company supplied or equivalent parts. Parts and supplies may be ordered online, by phone, by fax or by mail.

Follow the steps below to ensure prompt delivery.

1. (A) Identify the machine model.
2. (B) Identify the machine serial number from the data label.
3. (C) Ensure the proper serial number is used from the parts list.
4. Identify the part number and quantity.
Do not order by page or reference numbers.
5. Provide your name, company name, customer ID number, billing and shipping address, phone number and purchase order number.
6. Provide detail shipping instructions.

- (D) ▽ - identifies an assembly
▲ - identifies parts included in assembly

Please fill out at time of installation for future reference.

Model No. - _____
 Serial No. - _____
 Machine Options - _____
 Sales Rep. - _____
 Sales Rep. phone no. - _____
 Customer ID Number - _____
 Installation Date - _____

Tennant Company

PO Box 1452
 Minneapolis, MN 55440
 Phone: (800) 553-8033
 www.tennantco.com

Specifications and parts are subject to change without notice.

Copyright © 2006 - 2017 TENNANT Company, Printed in U.S.A.

STANDARD PARTS

GENERAL RECOMMENDED MAINTENANCE ITEMS		5	9003908 FAST INJECTOR ASSEMBLY BREAKDOWN (S/N 10347532- 10582616) 700 mm / 800 mm DISK & 800 mm CYLINDRICAL MODELS	68
REPLACEMENT BRUSHES, CYLINDRICAL		12	9003812 FAST INJECTOR ASSEMBLY BREAKDOWN (S/N 00000000- 10347531) 700 mm / 800 mm DISK & 800 mm CYLINDRICAL MODELS	69
REPLACEMENT BRUSHES AND PAD DRIVERS		14	SOLUTION GROUP, ec-H2O NANOCLEAN MODEL (S/N 10742213-)	70
REPLACEMENT BRUSHES AND PAD DRIVERS (JAPAN)		16	ec-H2O NANOCLEAN MODULE BREAKDOWN, 9011810 (S/N 10742213-)	72
RECOVERY TANK GROUP		18	ec-H2O NANOCLEAN MODULE BREAKDOWN, 9011810 (S/N 10742213-)	73
RECOVERY TANK GROUP (JAPAN)		20	SOLUTION GROUP, ec-H2O MODEL (S/N 10378380- 10742212)	74
VACUUM MOTOR GROUP		22	ec-H2O MODULE ASSEMBLY BREAKDOWN, 9007970 (S/N 10448305- 10742212)	76
SOLUTION TANK GROUP		24	ec-H2O MODULE ASSEMBLY BREAKDOWN, 9006161 (S/N 10378380- 10448304)	78
SIDE PANEL GROUP		26	1042495 SOLUTION PUMP BREAKDOWN	80
CONTROL CONSOLE GROUP		28	SOLUTION GROUP, STANDARD MODEL	81
COMPONENT PANEL GROUP (S/N 10632988-)		32	SQUEEGEE LIFT GROUP	82
COMPONENT PANEL GROUP (S/N 00000000- 10632987)		34	SQUEEGEE GROUP, 20 in / 500 mm	84
DRIVE GROUP		36	SQUEEGEE GROUP, 24 in / 600 mm	86
SCRUB HEAD GROUP, DISK 24 in / 600 mm		38	SQUEEGEE GROUP, 26 in / 650 mm & 28 in / 700 mm	88
SCRUB HEAD GROUP, DISK 28 in / 700 mm		42	SQUEEGEE GROUP, 32 in / 800 mm	90
SCRUB HEAD GROUP, DISK 32 in / 800 mm		46	BATTERY GROUP, MAINTENANCE FREE 220 Ah	92
SCRUB HEAD GROUP, CYLINDRICAL 26 in / 650 mm		50	BATTERY GROUP, LEAD-ACID 235 Ah	93
SCRUB HEAD GROUP, CYLINDRICAL 32 in / 800 mm		54	BATTERY GROUP, MAINTENANCE FREE 160 Ah (JAPAN)	94
SCRUBHEAD LIFT GROUP		58	BATTERY GROUP, LEAD ACID 180 Ah (JAPAN)	95
SOLUTION GROUP, FaST MODEL		60		
9008847 FAST INJECTOR ASSEMBLY BREAKDOWN (S/N 10538043-), 600 mm DISK & 650 mm CYLINDRICAL MODELS		64		
9003907 FAST INJECTOR ASSEMBLY BREAKDOWN (S/N 10348538- 10538042) 600 mm DISK & 650 mm CYLINDRICAL MODELS		65		
9003810 FAST INJECTOR ASSEMBLY BREAKDOWN (S/N 00000000- 10348537) 600 mm DISK & 650 mm CYLINDRICAL MODELS		66		
9008887 FAST INJECTOR ASSEMBLY BREAKDOWN (S/N 10582617-), 700 mm / 800 mm DISK & 800 mm CYLINDRICAL MODELS		67		

TABLE OF CONTENTS

STANDARD PARTS - Cont'd

ELECTRICAL DIAGRAM, STANDARD, FaST & ec-H2O MODELS (S/N 10742213-) ..	96
ELECTRICAL DIAGRAM, STANDARD & FaST MODEL (S/N 10632988- 10742212)	100
ELECTRICAL DIAGRAM, STANDARD & FaST MODEL (S/N 00000000- 10632987)	102
ELECTRICAL DIAGRAM, ec-H2O MODEL (S/N 10632988- 10742212)	104
ELECTRICAL DIAGRAM, ec-H2O MODEL (S/N 00000000- 10632987)	106
WIRE HARNESS GROUP, MAIN (S/N 10632988-)	108
WIRE HARNESS GROUP, MAIN (S/N 00000000- 10632987)	110
WIRE HARNESS GROUP, MAIN AUSTRALIA (S/N 10632988-)	112
WIRE HARNESS GROUP, MAIN AUSTRALIA (S/N 00000000- 10632987)	114
WIRE HARNESS GROUP, ec- H2O NANOCLEAN (S/N 10742213-)	116
WIRE HARNESS GROUP, ec- H2O (S/N 10632988- 10742212)	118
WIRE HARNESS GROUP, ec- H2O (S/N 10446231- 10632987)	120
WIRE HARNESS GROUP, IRIS TELEMETRY ..	124
WIRE HARNESS GROUP, FAST	126
WIRE HARNESS GROUP, BRAKE	127
WIRE HARNESS GROUP, CHASSIS	128

OPTIONS

IRIS TELEMETRY GROUP	130
IRIS TELEMETRY BATTERY MANAGER KIT ...	132
OFF-BOARD CHARGER GROUP	134
ON-BOARD CHARGER GROUP	136
BUMPER WHEEL KIT	138
WAND PUMP KIT	140
DELUXE POWER WAND GROUP	142
POWER WAND HOSE GROUP	144
OPTIONAL WHEEL KIT	145
HYDROLINK® BATTERY WATERING SYSTEM KIT	146

RECOMMENDED MAINTENANCE ITEMS

GENERAL RECOMMENDED MAINTENANCE ITEMS

	Part No.	Serial Number	Description	Qty.
	1042937	(00000000-) Gasket, Snap- In, Dual- Durometer [T5]	1
▽	1043538	(00000000-) Hose Assy, Drain, 1.50id X 29.5l, Blk	1
▲▽	1008639	(00000000-) Cap, Drain Assy	1
▲▲	1019563	(00000000-) Strap, Cap, Drain	1
▲▲	1008637	(00000000-) Seal, Org, 1.48id 1.76od	1
	1013628	(00000000-) Gasket, Mtg, Float, .125th, Neo, Adh	1
	630052	(00000000-) Float, Shut- Off, (2)Ball, 1.75d	1
▽	9002562	(00000000-) Motor Kit, Vacuum [T5]	1
▲	1073334	(00000000-) Brush, Carbon, Motor, Ele [1pick=1pkg] (1Pkg = 2 Brushes)	1
▲	100038	(00000000-) Gasket, Vacuum Mtr 5.7 Epdm W/Psa	1
	86379	(00000000-) Fuse, 100a 125volt 0.88 X 3.2l	1
	1049048	(00000000-) Caster, Swivel, 4.0d 1.4w, 4hole [400lb]	2
	614166	(00000000-) Brush Kit, Carbon [Qty 4] (For Transaxle Motor 1031723)	1
	1031775	(00000000-) Brush, Brush- Motor, Afmkt (For Disk Scrub Head Motor 1023067)	1
	1035888	(10338658-) Belt, Drive, 6Grv, 508l X 14w, [6Pj]	2
	377500	(00000000- 10338657) Belt,Synchronous, 500l,15mm [05p,Plychn]	2
	1022401	(00000000-) Gasket, Cover, Belt	2
	1049739	(10419662-) Brush Kit, Carbon, Motor, Replmt [4pcs]	2
	190152	(00000000- 10419661) Brush, Carbon [Pk=4]	2
	1025272	(00000000-) Skirt, Tray, Debris, 65cm	1
	1025273	(00000000-) Skirt, Tray, Debris, 80cm	1
	1017015	(00000000-) Detergent, Pkg, 2 Liter, Sgl [365]	1
	1017022	(00000000-) Detergent, Pkg, 2 Liter, Sgl [665]	1
	1008675	(00000000-) Gasket, Edge, Foam, 24.00l [Fr]	1
	1024105	(00000000-) Cable, Lift, Sqge	1
	578074000	(00000000-) Blade, Sqge, 300.8mml, Wand (Optional Power Wand)	2
▽	9004459	(00000000-) Wheel Kit, Bumper, Retrofit [T5]	1
▲	614317	(00000000-) Wheel, 04.0d 1.00w 0.38b, Rbr, Gray	2
▲	1014918	(00000000-) Wheel, 03.0d 0.88w 0.31b, W/ Bshg, Rbr	2
▽	9004903	(00000000-) Wheel Kit, Pneumatic, Ci [T5 T5e Ss5]	1
▲	1059452	(00000000-) Tire Assy, Pneu, Grey, 2.8/2.5- 04 2.75bc	2
▽	9004909	(00000000-) Wheel Kit, Solid, Ci [T5 T5e Ss5]	1
▲	1223583	(10819239-) Wheel, Scrbr, 213mm, W/ Taper	2
	1218753	(10771597- 10819238) Wheel, Scrbr, 213mm, W/ Taper (Replaced by 9004909)	2
	1020688	(00000000- 10771596) Wheel, Scrbr, 213.00mm With Taper (Replaced by 9004909)	2
	9006161	(10378380- 10448304) Module Kit, Replmt [Ec- H2o] (See Breakdown)	1
	9007970	(10448305- 10742212) Module Kit, Replmt [Ec- H2o] (See Breakdown)	1
	9011810	(10742213-) Module Kit, Replmt [Ec- H2o, B 02] (See Breakdown)	1
	9013646	(10742213-) Cartridge, Ec- H2o Nanoclean Wcm, 270ml	1
	1216973	(10742213-) Pump Assy, Dispenser	1
	9010085	(10742213-) Control Box Assy Kit, Replmt, Telem[Usa]	1
	9010086	(10742213-) Control Box Assy Kit, Replmt, Telem[Intl]	1
	1070659	(10742213-) Antenna, Telem, 70 In [Gprs]	1

▽ ASSEMBLY

▲ INCLUDED IN ASSEMBLY

RECOMMENDED MAINTENANCE ITEMS

GENERAL RECOMMENDED MAINTENANCE ITEMS (JAPAN)

Part No.	Serial Number	Description	Qty.
370095	(00000000-) Device, Centering, Clip- On, Teal, Gf Pp	1
989977	(00000000-) Pad, 12.00, Sapphire [5pc]	2
989813	(00000000-) Pad, Stripping, 12inch, Blk [5pc]	2
989973	(00000000-) Pad, 12.0, Brown [5pc] (Deep Scrubbing & Stripping)	2
989974	(00000000-) Pad, 12.0, Blu [5pc] (Blue) (Medium Scrubbing)	2
989975	(00000000-) Pad, 12.0, Red [5pc] (Light Scrubbing & Buffing)	2
989909	(00000000-) Jumbo Tan 12"	2
989980	(00000000-) Pad, 12.0, White [5pc] (Polishing)	2
630660	(00000000-) Pad, 14.0 [Sapphire, Case Of 5]	2
630653	(00000000-) Pad, 14.0, Brown [Case Of 5] (Deep Scrubbing & Stripping)	2
630654	(00000000-) Pad, 14.0, Blu [Case Of 5] (Blue) (Medium Scrubbing)	2
630655	(00000000-) Pad, 14.0, Red [Case Of 5] (Light Scrubbing & Buffing)	2
989806	(00000000-) Jumbo Tan 14"	2
989981	(00000000-) Pad, 14.0, White [5pc] (Polishing)	2
630642	(00000000-) Pad, Stripping, 16.0[Sapphire,Case Of 5]	2
989814	(00000000-) Pad, Stripping, 16inch, Blk	2
630643	(00000000-) Pad, 16.0, Brown [Case Of 5] (Deep Scrubbing & Stripping)	2
630644	(00000000-) Pad, 16.0, Blu [Case Of 5] (Blue) (Medium Scrubbing)	2
630645	(00000000-) Pad, 16.0, Red [Case Of 5] (Light Scrubbing & Buffing)	2
989807	(00000000-) Jumbo Tan 16"	2
989907	(00000000-) Pad, 16.0, White [5pc] (Polishing)	2
1051986	(10581737-) Valve, Ball, 2way, 1.0id Pvc, W/Handle	1
1051504	(10581737-) Strap, Hose, Drain	1
1051438	(10581737-) Hose, Drain, 1.50id X 19.3l, Blk	1

RECOMMENDED MAINTENANCE ITEMS

CYLINDRICAL 26 in / 650 mm MODEL RECOMMENDED MAINTENANCE ITEMS

Part No.	Serial Number	Description	Qty.
399251	(00000000-) Brush, Scb, Cyl, 26l, 18 Sr, Nyl (Soft Nylon)	2
399252	(00000000-) Brush, Scb, Cyl, 26.0l, Poly (Medium Polypropylene)	2
399253	(00000000-) Brush, Scb, Cyl, 26.0l, Hd Poly (Stiff Polypropylene)	2
399254	(00000000-) Brush, Scb, Cyl, 26.0l, Abr (Abrasive)	2
1060864	(00000000-) Brush, Scb, Cyl, 26l, 18sr, Abr, Spl (Abrasive- Light Duty)	2

CYLINDRICAL 32 in / 800 mm MODEL RECOMMENDED MAINTENANCE ITEMS

Part No.	Serial Number	Description	Qty.
222308	(00000000-) Brush, Scb, Cyl, 32l, 18 Sr, Nyl, Spl (Soft Nylon)	2
374042	(00000000-) Brush, Scb, Cyl, 32l, 18 Sr, Pyp (Medium Polypropylene)	2
222307	(00000000-) Brush, Scb, Cyl, 32l, 18 Sr, Pyp Grout, Spl (Stiff Polypropylene)	2
222309	(00000000-) Brush, Scb, Cyl, 32l, 18 Sr, Abr, Spl (Abrasive)	2

DISK 24 in / 600 mm MODEL RECOMMENDED MAINTENANCE ITEMS

Part No.	Serial Number	Description	Qty.
1220203	(00000000-) Brush Assy, Disk, Scb, 12.0d, Nyl (Soft Nylon)	2
1220204	(00000000-) Brush Assy, Disk, Scb, 12.0d, Pyp (Med Polypropylene)	2
1220205	(00000000-) Brush Assy, Disk, Scb, 12.0d, Sab (Super Abrasive)	2
370095	(00000000-) Device, Centering, Clip- On, Teal, Gf Pp	1
385940	(00000000-) Pad, Polish, 12.0d, White [1pad=1pc] (Polishing)	2
385941	(00000000-) Pad, Buff, 12.0d, Red [1pad=1pc] (Light Scrub & Buff)	2
385942	(00000000-) Pad, Scb, 12.0d, Blu [1pick = 1 Pad] (Blue) (Med Scrub)	2
385943	(00000000-) Pad, Stripping, 12.0d, Brown [1pad=1pc] (Scrub/Strip)	2
1051020	(00000000-) Pad, Surf Prep, 12.0d [Mar, 1pick=1pad] (Maroon- Prep)	2

RECOMMENDED MAINTENANCE ITEMS

DISK 28 in / 700 mm MODEL RECOMMENDED MAINTENANCE ITEMS

Part No.	Serial Number	Description	Qty.
1221541	(00000000-)	Brush Assy, Disk, Scb, 14.0d, Nyl (Soft Nylon)	2
1220218	(00000000-)	Brush Assy, Disk, Scb, 14.0d, Pyp (Med Polypropylene)	2
1220217	(00000000-)	Brush Assy, Disk, Scb, 14.0d, Sab (Super Abrasive)	2
370095	(00000000-)	Device, Centering, Clip- On, Teal, Gf Pp	1
222324	(00000000-)	Pad, Polish, 14.0d, White [1pad=1pc] (Polish)	2
222325	(00000000-)	Pad, Buff, 14.0d, Red (Light Scrub & Buff)	2
222326	(00000000-)	Pad, Scb, 14.0d, Blu [1pad=1pc] (Blue) (Med Scrub)	2
222327	(00000000-)	Pad, Stripping, 14.0d, Brown [1pad=1pc] (Scrub/Strip)	2
1051026	(00000000-)	Pad, Surf Prep, 14.0d [Mar, 1pick=1pad] (Maroon- Prep)	2

DISK 32 in / 800 mm MODEL RECOMMENDED MAINTENANCE ITEMS

Part No.	Serial Number	Description	Qty.
1220215	(00000000-)	Brush Assy, Disk, Scb, 16.0d, Nyl (Soft Nylon)	2
1220216	(00000000-)	Brush Assy, Disk, Scb, 16.0d, Pyp (Med Polypropylene)	2
1220214	(00000000-)	Brush Assy, Disk, Scb, 16.0d, Sab (Super Abrasive)	2
370095	(00000000-)	Device, Centering, Clip- On, Teal, Gf Pp	1
63248- 4	(00000000-)	Pad, Polish, 16.0d, White [1pad=1pc] (Polish)	2
63248- 3	(00000000-)	Pad, Buff, 16.0d, Red (Light Scrub & Buff)	2
63248- 2	(00000000-)	Pad, Scb, 16.0d, Blu [1pad=1pc] (Blue) (Med Scrub)	2
63248- 1	(00000000-)	Pad, Stripping, 16.0d, Brown [1pad=1pc] (Scrub/Strip)	2
1051027	(00000000-)	Pad, Surf Prep, 16.0d [Mar, 1pick=1pad] (Maroon- Prep)	2

RECOMMENDED MAINTENANCE ITEMS

SQUEEGEE GROUP, 20 in / 500 mm, RECOMMENDED MAINTENANCE ITEMS

	Part No.	Serial Number	Description	Qty.
▽	9001178	(00000000-) Squeegee Assy Kit, 500mm, Ci	1
▲	1010560	(00000000-) Wheel, Bmpr, 80d X 25w, Non- Marking	2
▲	1006343	(00000000-) Caster, Swivel, 50mmd, M10 X 30 Stem, PI	2
▲	1054375	(00000000-) Knob, Star, 2.00d 4ear 0.71 M8x1.25, Thru	4
▲	1011232	(00000000-) Blade, Sqge, Front, 500mml (Linatex Red Standard)	1
	1014091	(00000000-) Blade, Sqge, Front, 500mm, Gum (Gum Rubber Tan Optional)	1
	1014092	(00000000-) Blade, Sqge, Front, 500mml, Oil- Rstn (Polyurethane Natural Optional)	1
▲	1011456	(00000000-) Blade, Sqge, Rear, 500mm Linatex (Linatex Red Standard)	1
	1014093	(00000000-) Blade, Sqge, Rear, 500mm Gum (Gum Rubber Tan Optional)	1
	1014094	(00000000-) Blade, Sqge, Rear, 500mm Oil- Rstn (Polyurethane Natural Optional)	1
▲	1013933	(00000000-) Strap Assy, Sqge, 500mm	1
	1014026	(00000000-) Hose, Vacuum, 1.5d X 57l, 2- Short Cuffs	1

SQUEEGEE GROUP, 24 in / 600 mm, RECOMMENDED MAINTENANCE ITEMS

	Part No.	Serial Number	Description	Qty.
▽	9002679	(00000000-) Kit, Squeegee, 600mm Ci	1
▲	1010560	(00000000-) Wheel, Bmpr, 80d X 25w, Non- Marking	2
▲	1006343	(00000000-) Caster, Swivel, 50mm D, M10 X 30 Stem,Zn	2
▲	1054375	(00000000-) Knob, Star, 2.75d 4ear 1.11 M8x1.25 Thru	4
▲	1021804	(00000000-) Blade, Sqge, Front, 88cml [Lnx, 60cm] (Linatex Red Standard)	1
	1025333	(00000000-) Blade, Sqge, Front, 88cml, Gum [60cm] (Gum Rubber Tan Optional)	1
	1025334	(00000000-) Blade, Sqge, Front, 88cml, Ure [60cm] (Polyurethane Natural Optional)	1
▲	630477	(00000000-) Wheel, Pyu, 2.0d 0.38w, Gray	1
▲	1021333	(00000000-) Blade, Sqge, Rear, 88cm,Linatex[60cm] (Linatex Red Standard)	1
	1025335	(00000000-) Blade, Sqge, Rear, 88cml, Gum [60cm] (Gum Rubber Tan Optional)	1
	1025336	(00000000-) Blade, Sqge, Rear, 88cm, Ure [60cm] (Polyurethane Natural Optional)	1
	1014026	(00000000-) Hose, Vacuum, 1.5d X 57l, 2- Short Cuffs	1

▽ ASSEMBLY

▲ INCLUDED IN ASSEMBLY

RECOMMENDED MAINTENANCE ITEMS

SQUEEGEE GROUP, 26 in / 650 mm & 28 in / 700 mm RECOMMENDED MAINTENANCE ITEMS

	Part No.	Serial Number	Description	Qty.
▽	9002680	(00000000-) Kit, Squeegee, 700mm Ci	1
▲	1010560	(00000000-) Wheel, Bmpr, 80d X 25w, Non- Marking	2
▲	1006343	(00000000-) Caster, Swivel, 50mm D, M10 X 30 Stem,Zn	2
▲	1054375	(00000000-) Knob, Star, 2.75d 4ear 1.1l M8x1.25 Thru	4
▲	1023327	(00000000-) Blade, Sqge, Front, 98cml [Lnx, 70cm] (Linatex Red Standard)	1
▲	1025337	(00000000-) Blade, Sqge, Front, 98cml, Gum [70cm] (Gum Rubber Tan Optional)	1
▲	1025339	(00000000-) Blade, Sqge, Front, 98cml, Ure [70cm] (Polyurethane Natural Optional)	1
▲	630477	(00000000-) Wheel, Pyu, 2.0d 0.38w, Gray	1
▲	1023329	(00000000-) Blade, Sqge, Rear, 98cm,Linatex[70cm] (Linatex Red Standard)	1
	1025340	(00000000-) Blade, Sqge, Rear, 98cml, Gum [70cm] (Gum Rubber Tan Optional)	1
	1025341	(00000000-) Blade, Sqge, Rear, 98cm, Ure [70cm] (Polyurethane Natural Optional)	1
	1014026	(00000000-) Hose, Vacuum, 1.5d X 57l, 2- Short Cuffs	1

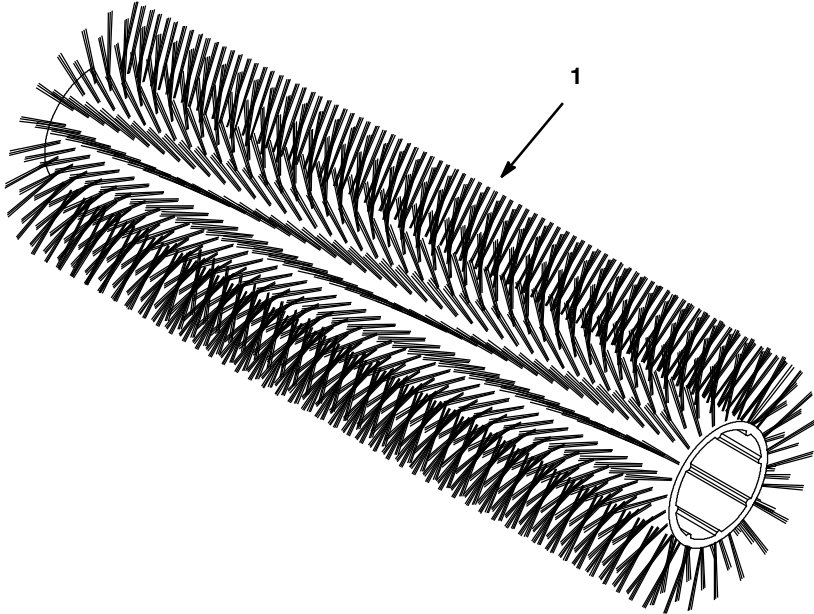
SQUEEGEE GROUP, 32 in / 800 mm, RECOMMENDED MAINTENANCE ITEMS

	Part No.	Serial Number	Description	Qty.
▽	9002681	(00000000-) Kit, Squeegee, 800mm Ci	1
▲	1010560	(00000000-) Wheel, Bmpr, 80d X 25w, Non- Marking	2
▲	1006343	(00000000-) Caster, Swivel, 50mm D, M10 X 30 Stem,Zn	2
▲	1054375	(00000000-) Knob, Star, 2.75d 4ear 1.1l M8x1.25 Thru	4
▲	1023398	(00000000-) Blade, Sqge, Front, 105cm [Linx 80cm] (Linatex Red Standard)	1
	1025342	(00000000-) Blade, Sqge, Front, 105cml, Gum[80cm] (Gum Rubber Tan Optional)	1
	1025343	(00000000-) Blade, Sqge, Front, 105cm, Ure [80cm] (Polyurethane Natural Optional)	1
▲	630477	(00000000-) Wheel, Pyu, 2.0d 0.38w, Gray	1
▲	1023399	(00000000-) Blade, Sqge, Rear, 105cml[Linx, 80cm] (Linatex Red Standard)	1
	1025344	(00000000-) Blade, Sqge, Rear, 105cml, Gum [80cm] (Gum Rubber Tan Optional)	1
	1025346	(00000000-) Blade, Sqge, Rear, 105cml, Ure [80cm] (Polyurethane Natural Optional)	1
	1014026	(00000000-) Hose, Vacuum, 1.5d X 57l, 2- Short Cuffs	1

▽ ASSEMBLY

▲ INCLUDED IN ASSEMBLY

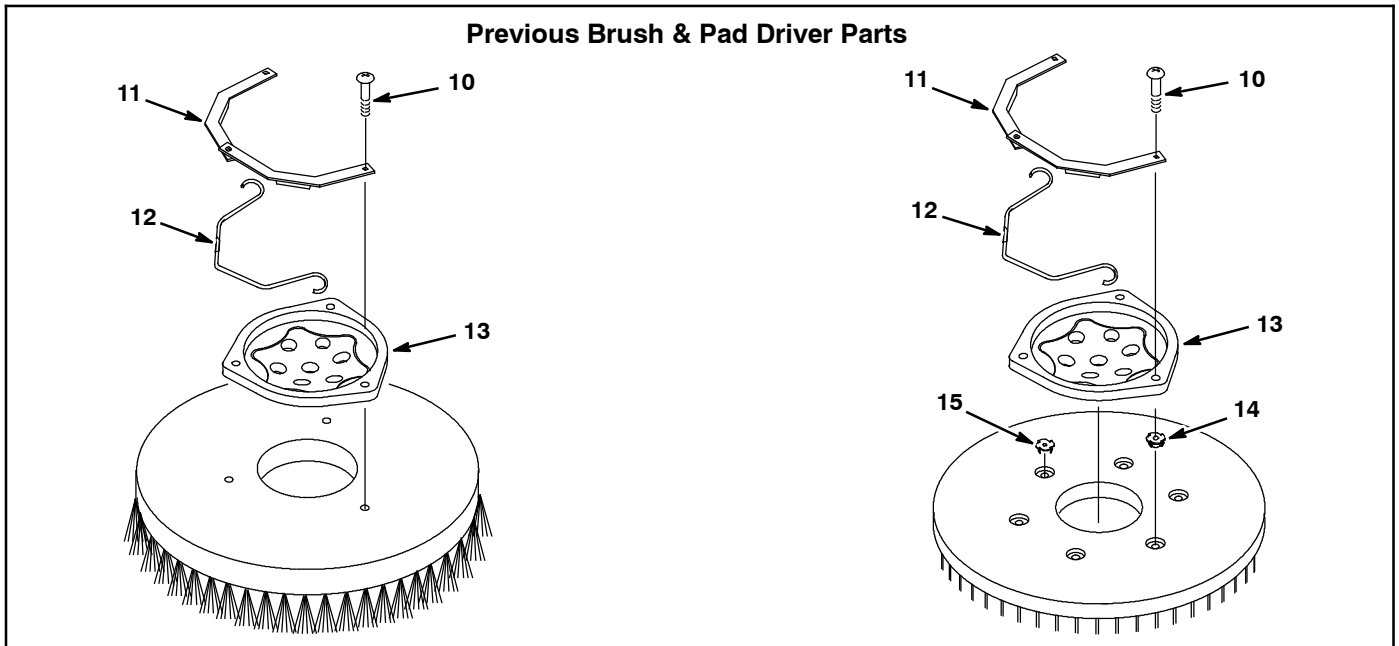
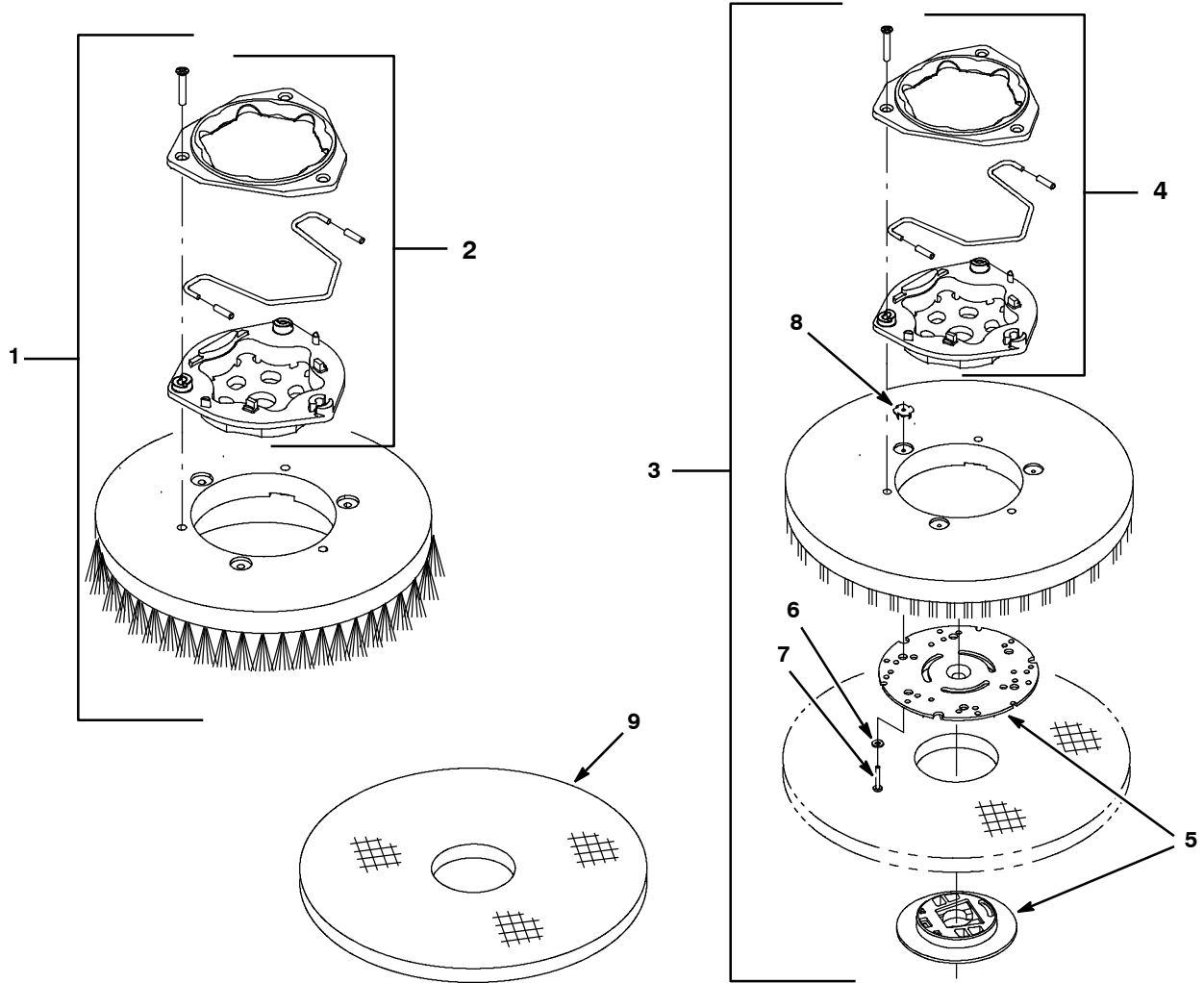
REPLACEMENT BRUSHES, CYLINDRICAL



REPLACEMENT BRUSHES, CYLINDRICAL

Ref.	Part No.	Serial Number	Description	Qty.
1	399251	(00000000-) Brush, Scb, 26l, 18 Sr, Nyl (Soft Nylon)	2
1	399252	(00000000-) Brush, Scb, Cyl, 26.0l, Poly (Medium Polypropylene)	2
1	399253	(00000000-) Brush, Scb, Cyl, 26.0l, Hd Poly (Stiff Polypropylene)	2
1	399254	(00000000-) Brush, Scb, Cyl, 26.0l, Abr (Abrasive)	2
1	1060864	(00000000-) Brush, Scb, 26l, 18sr, Abr, Spl (Abrasive- Light Duty)	2
1	222308	(00000000-) Brush, Scb, 32l, 18 Sr, Nyl, Spl (Soft Nylon)	2
1	374042	(00000000-) Brush, Scb, 32l, 18 Sr, Pyp, Spl (Medium Polypropylene)	2
1	222307	(00000000-) Brush, Scb, 32l, 18 Sr, Pyp Grout, Spl (Stiff Polypropylene)	2
1	222309	(00000000-) Brush, Scb, 32l, 18 Sr, Abr, Spl (Abrasive)	2
1	1062078	(00000000-) Brush, Scb, 32l, 18sr, Abr, Spl (Abrasive- Light Duty)	2

REPLACEMENT BRUSHES AND PAD DRIVERS



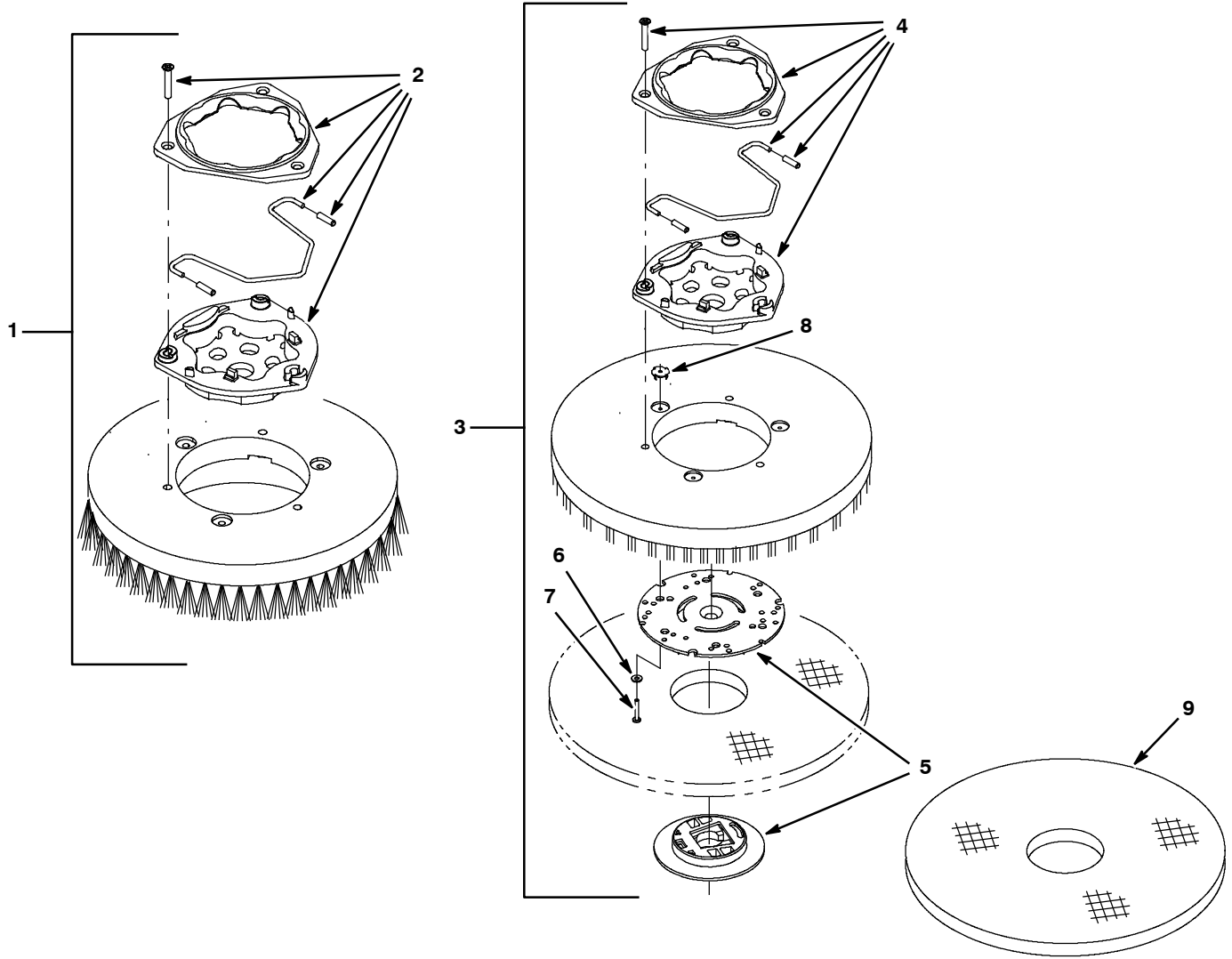
REPLACEMENT BRUSHES AND PAD DRIVERS

Ref.	Part No.	Serial Number	Description	Qty.
▽	1	1220203	(00000000-) Brush Assy, Disk, Scb, 12.0d, Nyl (Soft Nylon)	2
▽	1	1220204	(00000000-) Brush Assy, Disk, Scb, 12.0d, Pyp (Med Polypropylene)	2
▽	1	1220205	(00000000-) Brush Assy, Disk, Scb, 12.0d, Sab (Super Abrasive)	2
▽	1	1221541	(00000000-) Brush Assy, Disk, Scb, 14.0d, Nyl (Soft Nylon)	2
▽	1	1220218	(00000000-) Brush Assy, Disk, Scb, 14.0d, Pyp (Med Polypropylene)	2
▽	1	1220217	(00000000-) Brush Assy, Disk, Scb, 14.0d, Sab (Super Abrasive)	2
▽	1	1220215	(00000000-) Brush Assy, Disk, Scb, 16.0d, Nyl (Soft Nylon)	2
▽	1	1220216	(00000000-) Brush Assy, Disk, Scb, 16.0d, Pyp (Med Polypropylene)	2
▽	1	1220214	(00000000-) Brush Assy, Disk, Scb, 16.0d, Sab (Super Abrasive)	2
▲	2	9014667	(00000000-) Brush Kit, Hub Assy, Drive Ci [Comm]	1
▽	3	1220219	(00000000-) Driver Assy, Pad, 12.0d, Brush	2
▽	3	1220221	(00000000-) Driver Assy, Pad, 14.0d, Brush	2
▽	3	1220222	(00000000-) Driver Assy, Pad, 16.0d, Brush	2
▲	4	9014667	(00000000-) Brush Kit, Hub Assy, Drive Ci [Comm]	2
▲	5	370095	(00000000-) Device, Centering, Clip- On, Teal, Gf Pp	1
▲	6	41579	(00000000-) Washer, Flat, #8, Ss	3
▲	7	04403	(00000000-) Screw, Pan, M4 X 0.7 X 25, Ss, NI	3
▲	8	10908	(00000000-) Nut, T, M4 X 0.7	3
	9	385940	(00000000-) Pad, Polish, 12.0d, White [1pad=1pc] (Polishing)	2
	9	385941	(00000000-) Pad, Buff, 12.0d, Red [1pad=1pc] (Light Scrub & Buff)	2
	9	385942	(00000000-) Pad, Scb, 12.0d, Blu [1pick = 1 Pad] (Blue) (Med Scrub)	2
	9	385943	(00000000-) Pad, Stripping, 12.0d, Brown [1pad=1pc] (Scrub/Strip)	2
	9	1051020	(00000000-) Pad, Surf Prep, 12.0d [Mar, 1pick=1pad] (Maroon- Prep)	2
	9	222324	(00000000-) Pad, Polish, 14.0d, White [1pad=1pc] (Polishing)	2
	9	222325	(00000000-) Pad, Buff, 14.0d, Red (Light Scrub & Buff)	2
	9	222326	(00000000-) Pad, Scb, 14.0d, Blu [1pad=1pc] (Blue) (Med Scrub)	2
	9	222327	(00000000-) Pad, Stripping, 14.0d, Brown [1pad=1pc] (Scrub/Strip)	2
	9	1051026	(00000000-) Pad, Surf Prep, 14.0d [Mar, 1pick=1pad] (Maroon- Prep)	2
	9	63248- 4	(00000000-) Pad, Polish, 16.0d, White [1pad=1pc] (Polishing)	2
	9	63248- 3	(00000000-) Pad, Buff, 16.0d, Red (Light Scrub & Buff)	2
	9	63248- 2	(00000000-) Pad, Scb, 16.0d, Blu [1pad=1pc] (Blue) (Med Scrub)	2
	9	63248- 1	(00000000-) Pad, Stripping, 16.0d, Brown [1pad=1pc] (Scrub/Strip)	2
	9	1051027	(00000000-) Pad, Surf Prep, 16.0d [Mar, 1pick=1pad] (Maroon- Prep)	2

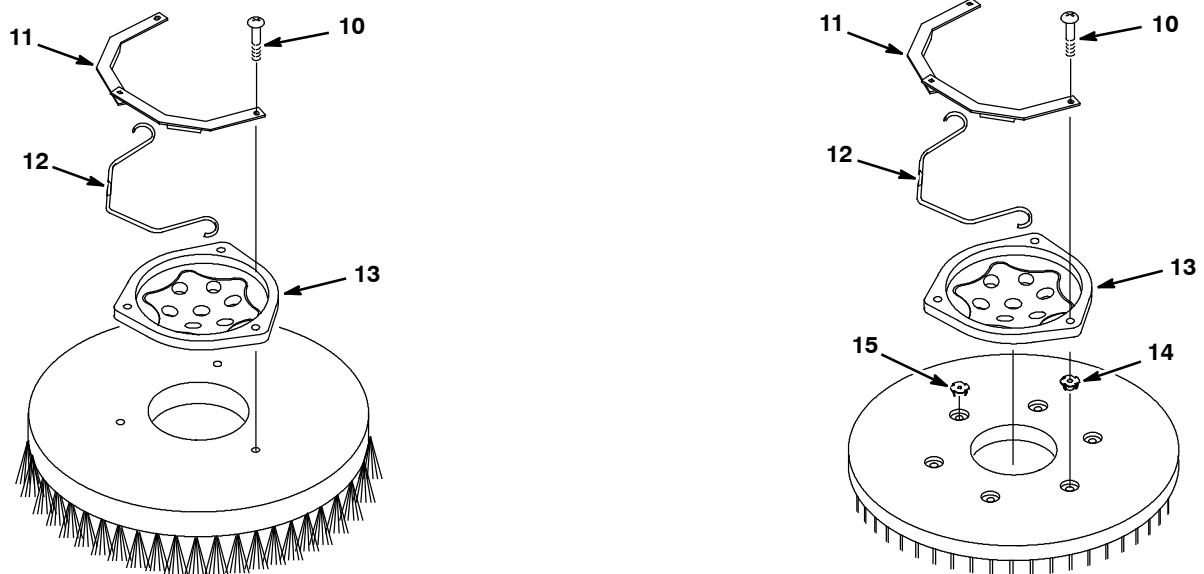
PREVIOUS BRUSH AND PAD DRIVER PARTS

10	32747	(00000000-)	Screw, Pan, M6 X 1.0 X 40, Ss	3
11	21852	(00000000-)	Bracket, Retainer, Spring	2
12	21853	(00000000-)	Spring, Wir, 0.16d, Brush Retaining (12" Brush)	1
12	1028905	(00000000-)	Spring, Wir, 0.16d, Brush Retaining,(14" & 16" Brush)	1
13	1017112	(00000000-)	Hub, Drive, Brush, Disk, 3hole 5.8bc	1
14	05709	(00000000-)	Nut, T, M6 X 1.00	3
15	10908	(00000000-)	Nut, T, M4 X 0.7	3
	1025094	(00000000-)	Brush Assy, Disk, Scb, 11.90d, Nyl (Repld By 1220203)	2
	1025095	(00000000-)	Brush Assy, Disk, Scb, 11.90d, Pyp (Repld By 1220204)	2
	1025096	(00000000-)	Brush Assy, Disk, Scb, 11.9d, Sab (Repld By 1220205)	2
	399246	(00000000-)	Brush, Disk, Scr, 13.90d, Assy, Nyl (Repld By 1221541)	2
	399247	(00000000-)	Brush, Disk, Scr, 13.90d, Assy, Pyp (Repld By 1220218)	2
	399245	(00000000-)	Brush, Disk, Scr, 13.90d, Assy, Sab (Repld By 1220217)	2
	399243	(00000000-)	Brush, Disk, Scr, 15.9d, Assy, Nyl (Repld By 1220215)	2
	399244	(00000000-)	Brush, Disk, Scr, 15.9d, Assy, Pyp (Repld By 1220216)	2
	399242	(00000000-)	Brush, Disk, Scr, 15.9d, Assy, Sab (Repld By 1220214)	2
	385944	(00000000-)	Driver Assy, Pad, 12.0d, Brush (Repld By 1220219)	2
	399249	(00000000-)	Driver Assy, Pad, 14.0d, Brush (Repld By 1220221)	2
	399250	(00000000-)	Driver Assy, Pad, 16.0d, Brush (Repld By 1220222)	2

REPLACEMENT BRUSHES AND PAD DRIVERS (JAPAN)



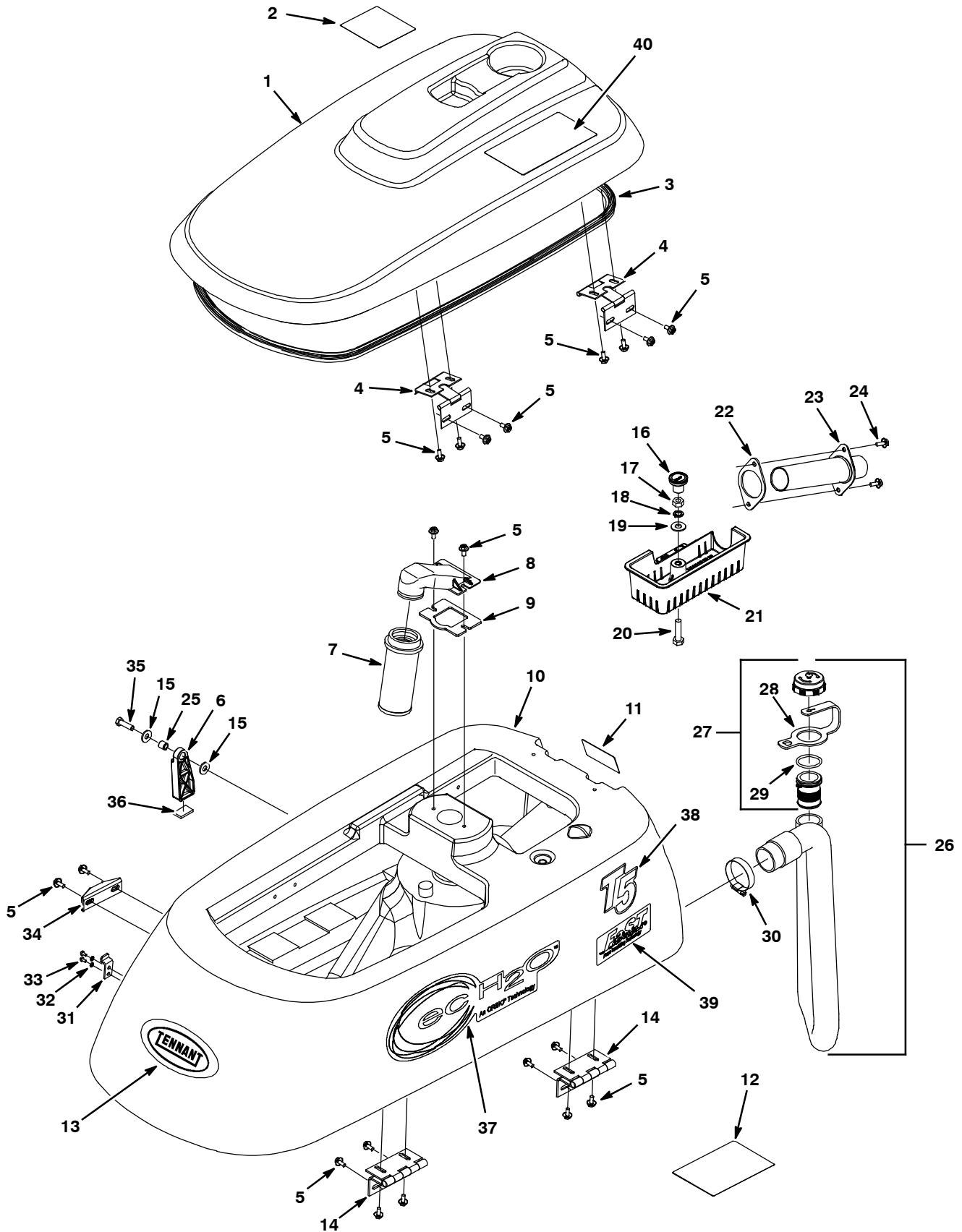
Previous Brush & Pad Driver Parts



REPLACEMENT BRUSHES AND PAD DRIVERS (JAPAN)

Ref.	Part No.	Serial Number	Description	Qty.
∇	1	1220203	(00000000-) Brush Assy, Disk, Scb, 12.0d, Nyl (Soft Nylon)	2
∇	1	1220204	(00000000-) Brush Assy, Disk, Scb, 12.0d, Pyp (Med Polypropylene)	2
∇	1	1220205	(00000000-) Brush Assy, Disk, Scb, 12.0d, Sab (Super Abrasive)	2
∇	1	1221541	(00000000-) Brush Assy, Disk, Scb, 14.0d, Nyl (Soft Nylon)	2
∇	1	1220218	(00000000-) Brush Assy, Disk, Scb, 14.0d, Pyp (Med Polypropylene)	2
∇	1	1220217	(00000000-) Brush Assy, Disk, Scb, 14.0d, Sab (Super Abrasive)	2
∇	1	1220215	(00000000-) Brush Assy, Disk, Scb, 16.0d, Nyl (Soft Nylon)	2
∇	1	1220216	(00000000-) Brush Assy, Disk, Scb, 16.0d, Pyp (Med Polypropylene)	2
∇	1	1220214	(00000000-) Brush Assy, Disk, Scb, 16.0d, Sab (Super Abrasive)	2
▲	2	9014667	(00000000-) Brush Kit, Hub Assy, Drive Ci [Comm]	1
∇	3	1220219	(00000000-) Driver Assy, Pad, 12.0d, Brush	2
∇	3	1220221	(00000000-) Driver Assy, Pad, 14.0d, Brush	2
∇	3	1220222	(00000000-) Driver Assy, Pad, 16.0d, Brush	2
▲	4	9014667	(00000000-) Brush Kit, Hub Assy, Drive Ci [Comm]	2
▲	5	370095	(00000000-) Device, Centering, Clip- On, Teal, Gf Pp	1
▲	6	41579	(00000000-) Washer, Flat, #8, Ss	3
▲	7	04403	(00000000-) Screw, Pan, M4 X 0.7 X 25, Ss, NI	3
▲	8	10908	(00000000-) Nut, T, M4 X 0.7	3
	9	989977	(00000000-) Pad, 12.00, Sapphire [5pc]	2
	9	989813	(00000000-) Pad, Stripping, 12inch, Blk [5pc]	2
	9	989973	(00000000-) Pad, 12.0, Brown [5pc] (Scrub & Strip)	2
	9	989974	(00000000-) Pad, 12.0, Blu [5pc] (Blue) (Med Scrub)	2
	9	989975	(00000000-) Pad, 12.0, Red [5pc] (Light Scrub & Buff)	2
	9	989909	(00000000-) Jumbo Tan 12"	2
	9	989980	(00000000-) Pad, 12.0, White [5pc] (Polish)	2
	9	630660	(00000000-) Pad, 14.0 [Sapphire, Case Of 5]	2
	9	630653	(00000000-) Pad, 14.0, Brown [Case Of 5] (Scrub & Strip)	2
	9	630654	(00000000-) Pad, 14.0, Blu [Case Of 5] (Blue) (Med Scrubbing)	2
	9	630655	(00000000-) Pad, 14.0, Red [Case Of 5] (Light Scrub & Buff)	2
	9	989806	(00000000-) Jumbo Tan 14"	2
	9	989981	(00000000-) Pad, 14.0, White [5pc] (Polish)	2
	9	630642	(00000000-) Pad, Stripping, 16.0[Sapphire,Case Of 5]	2
	9	989814	(00000000-) Pad, Stripping, 16inch, Blk	2
	9	630643	(00000000-) Pad, 16.0, Brown [Case Of 5] (Scrub & Strip)	2
	9	630644	(00000000-) Pad, 16.0, Blu [Case Of 5] (Blue) (Med Scrub)	2
	9	630645	(00000000-) Pad, 16.0, Red [Case Of 5] (Light Scrub & Buff)	2
	9	989807	(00000000-) Jumbo Tan 16"	2
	9	989907	(00000000-) Pad, 16.0, White [5pc] (Polishing)	2
PREVIOUS BRUSH AND PAD DRIVER PARTS				
	10	32747	(00000000-) Screw, Pan, M6 X 1.0 X 40, Ss	3
	11	21852	(00000000-) Bracket, Retainer, Spring	2
	12	21853	(00000000-) Spring, Wir, 0.16d, Brush Retaining (12" Brush)	1
	12	1028905	(00000000-) Spring, Wir, 0.16d, Brush Retaining (14" & 16" Brush)	1
	13	1017112	(00000000-) Hub, Drive, Brush, Disk, 3hole 5.8bc	1
	14	05709	(00000000-) Nut, T, M6 X 1.00	3
	15	10908	(00000000-) Nut, T, M4 X 0.7	3
		1025094	(00000000-) Brush Assy, Disk, Scb, 11.90d, Nyl (Repld By 1220203)	2
		1025095	(00000000-) Brush Assy, Disk, Scb, 11.90d, Pyp (Repld By 1220204)	2
		1025096	(00000000-) Brush Assy, Disk, Scb, 11.90d, Sab (Repld By 1220205)	2
		399246	(00000000-) Brush, Disk, Scr, 13.90d, Assy, Nyl (Repld By 1221541)	2
		399247	(00000000-) Brush, Disk, Scr, 13.90d, Assy, Pyp (Repld By 1220218)	2
		399245	(00000000-) Brush, Disk, Scr, 13.90d, Assy, Sab (Repld By 1220217)	2
		399243	(00000000-) Brush, Disk, Scr, 15.9d, Assy, Nyl (Repld By 1220215)	2
		399244	(00000000-) Brush, Disk, Scr, 15.9d, Assy, Pyp (Repld By 1220216)	2
		399242	(00000000-) Brush, Disk, Scr, 15.9d, Assy, Sab (Repld By 1220214)	2
		385944	(00000000-) Driver Assy, Pad, 12.0d, Brush (Repld By 1220219)	2
		399249	(00000000-) Driver Assy, Pad, 14.0d, Brush (Repld By 1220221)	2
		399250	(00000000-) Driver Assy, Pad, 16.0d, Brush (Repld By 1220222)	2

RECOVERY TANK GROUP



RECOVERY TANK GROUP

Ref.	Part No.	Serial Number	Description	Qty.
▽	1	9002563	(00000000-) Kit, Cover, Recovery Tank (Na)	1
▲	2	1026387	(00000000-) Label, Warn,4x4dc Scrb/Extr/Brn En/Fr/Es	1
▲	3	1042937	(00000000-) Gasket, Snap- In, Dual- Durometer [T5]	1
	4	1021246	(00000000-) Hinge, 6.0 Pin, 2.5 Thk,73.5 W, 3 Leaf	2
	5	1034731	(00000000-) Screw, Hex, M6 X 1.00 X 16, Sems, Ss	20
	6	1022399	(00000000-) Support, Tank, Prop, Blk, Ny	1
	7	630052	(00000000-) Float, Shut- Off, (2)Ball, 1.75d	1
	8	1011777	(00000000-) Mount, Float, Molded	1
	9	1013628	(00000000-) Gasket, Mtg, Float	1
▽	10	9002564	(00000000-) Kit, Tank, Recovery (Teal)	1
▽	10	9002714	(00000000-) Kit, Tank, Recovery Hg (Gray)	1
▲	11	391451	(00000000-) Label, Attention Fast Users (Fast Model)	1
▲	11	1050003	(10378380-) Label, User, Attention, Ec- H2o (ec- H2O Model)	1
▲	12	1024800	(00000000-) Label, Instr, Battery	1
▲	13	1047746	(00000000-) Label, Logo, 06.9l, White, [Tennant] (Teal)	1
▲	13	1047747	(00000000-) Label, Logo, 06.9l, White, Hg, [Tennant] (Gray)	1
	14	1022380	(00000000-) Hinge, 7mmpin 3mmthk 73.5mmw 100mml	2
	15	140027	(00000000-) Washer, Flat, 0.35b 0.75d .04, Ss	2
	16	1024179	(00000000-) Knob, Knurled, M10 Thread	1
	17	07787	(00000000-) Nut, Hex, Std, M10 X 1.5, Ss	1
	18	140333	(00000000-) Washer M10 Spltck Ss	1
	19	01686	(00000000-) Washer, Flat, 0.44b 1.00 .08, Ss	1
	20	05720	(00000000-) Screw, Hex, M10 X 1.5 X 40, Ss, Fl	1
	21	1025349	(00000000-) Tray, Debris	1
	22	1024602	(00000000-) Gasket, Adaptor, Hose	1
	23	1021214	(00000000-) Tube, Hose, Adapter, 1.5d	1
	24	1034731	(00000000-) Screw, Hex, M6 X 1.00 X 16, Sems, Ss	2
	25	222460	(00000000-) Sleeve, P/M, 0.496d 0.318b 0.50l 430ss	1
▽	26	1043538	(00000000-) Hose Assy, Drain, 1.50id X 29.5l, Blk	1
▲▽	27	1008639	(00000000-) Cap, Drain Assy	1
▲▲	28	1019563	(00000000-) Strap, Drain Cap	1
▲▲	29	1008637	(00000000-) O Ring, 1.48" Id, 1.76" Od	1
	30	11531	(00000000-) Clamp, Hose, Wormdrive, 1.06- 2.00d, .56w	1
	31	49800	(00000000-) Latch	1
	32	02938	(00000000-) Washer, Lock, Int, 08 Ss	2
	33	391403	(00000000-) Screw, Pan, M4 X 0.7 X 8, Ss	2
	34	1061143	(00000000-) Bracket, Guide, Recvy Tank, [T5, Ss5]	1
	35	1039118	(00000000-) Screw, Btn, M8 X 1.25 X 30, Blk	1
	36	1032763	(00000000-) Gasket, Stand, Support	1
	37	1216520	(10742213-) Label, Logo [Ech2o Nano]	2
	37	1062813	(00000000- 10742212) Label, Logo, 12.3l 4color [Ec- H2o]	2
	38	1024779	(00000000-) Label, Side [T5]	2
	39	1062814	(00000000-) Label, Logo, 06.1l White / TI [Fast]	2
	40	1217056	(10742213-) Label, Instr [Ec- H20 Nc]	1
	40	1071570	(00000000- 10742212) Label, Instr, Ec- H2o, 4.0x6.50	1

▽ ASSEMBLY

▲ INCLUDED IN ASSEMBLY

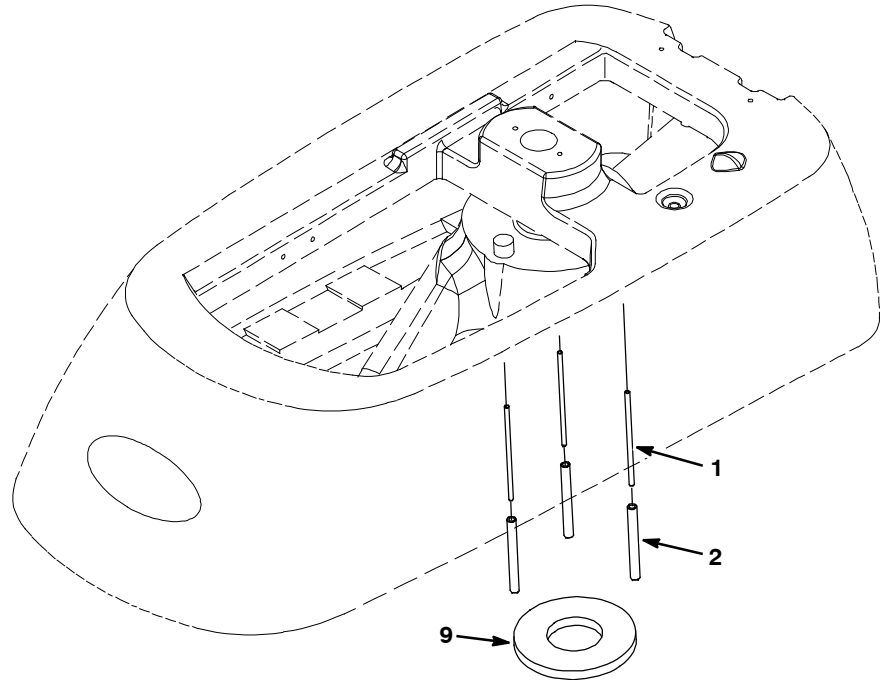
RECOVERY TANK GROUP (JAPAN)

Ref.	Part No.	Serial Number	Description	Qty.
▽	1	9003133	(00000000-) Cover Assy, Tank, Recvy [Japan]	1
▲	2	1016753	(00000000-) Label, Warning, 4 X 3, Tj [Dcwb]	1
▲	3	1042937	(00000000-) Gasket, Snap- In, Dual- Durometer [T5]	1
	4	1021246	(00000000-) Hinge, 6.0 Pin, 2.5 Thk, 73.5 W, 3 Leaf	2
	5	1034731	(00000000-) Screw, Hex, M6 X 1.00 X 16, Sems, Ss	20
	6	1022399	(00000000-) Support, Tank, Prop, Blk, Ny	1
	7	630052	(00000000-) Float, Shut- Off, (2)Ball, 1.75d	1
	8	1011777	(00000000-) Mount, Float, Molded	1
	9	1013628	(00000000-) Gasket, Mtg, Float	1
▽	10	9002564	(00000000-) Kit, Tank, Recovery (Teal)	1
▲	11	391451	(00000000-) Label, Attention Fast Users (Fast Model)	1
▲	11	1050003	(10378380-) Label, User, Attention, Ec- H2o (ec- H2O Model)	1
▲	12	1024800	(00000000-) Label, Instr, Battery	1
▲	13	1047746	(00000000-) Label, Logo, 06.9l, White, [Tennant] (Teal)	1
	14	1022380	(00000000-) Hinge, 7mmpin 3mmthk 73.5mmw 100mml	2
	15	140027	(00000000-) Washer, Flat, 0.35b 0.75d .04, Ss	2
	16	1024179	(00000000-) Knob, Knurled, M10 Thread	1
	17	07787	(00000000-) Nut, Hex, Std, M10 X 1.5, Ss	1
	18	140333	(00000000-) Washer M10 Spltck Ss	1
	19	01686	(00000000-) Washer, Flat, 0.44b 1.00 .08, Ss	1
	20	05720	(00000000-) Screw, Hex, M10 X 1.5 X 40, Ss, Fl	1
	21	1025349	(00000000-) Tray, Debris	1
	22	1024602	(00000000-) Gasket, Adaptor, Hose	1
	23	1021214	(00000000-) Tube, Hose, Adapter, 1.5d	1
	24	1034731	(00000000-) Screw, Hex, M6 X 1.00 X 16, Sems, Ss	2
	25	222460	(00000000-) Sleeve, P/M, 0.496d 0.318b 0.50l 430ss	1
	26	1051986	(10581737-) Valve, Ball, 2way, 1.0id Pvc, W/Handle	1
	27	1051504	(10581737-) Strap, Hose, Drain	1
	28	1051438	(10581737-) Hose, Drain, 1.50id X 19.3l, Blk	1
	29	11531	(10581737-) Clamp, Hose, Wormdrive, 1.06- 2.00d, .56w	2
	30	1024779	(00000000-) Label, Side [T5]	2
	31	49800	(00000000-) Latch	1
	32	02938	(00000000-) Washer, Lock, Int, 08 Ss	2
	33	391403	(00000000-) Screw, Pan, M4 X 0.7 X 8, Ss	2
	34	1061143	(00000000-) Bracket, Guide, Recvy Tank, [T5, Ss5]	1
	35	1039118	(00000000-) Screw, Btn, M8 X 1.25 X 30, Blk	1
	36	1032763	(00000000-) Gasket, Stand, Support	1
	37	1216520	(10742213-) Label, Logo [Ech2o Nano]	2
	37	1062813	(00000000- 10742212) Label, Logo, 12.3l 4color [Ec- H2o]	2
	38	1062814	(00000000-) Label, Logo, 06.1l White / TI [Fast]	2

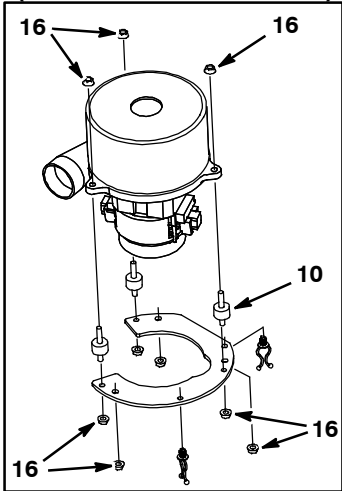
▽ ASSEMBLY

▲ INCLUDED IN ASSEMBLY

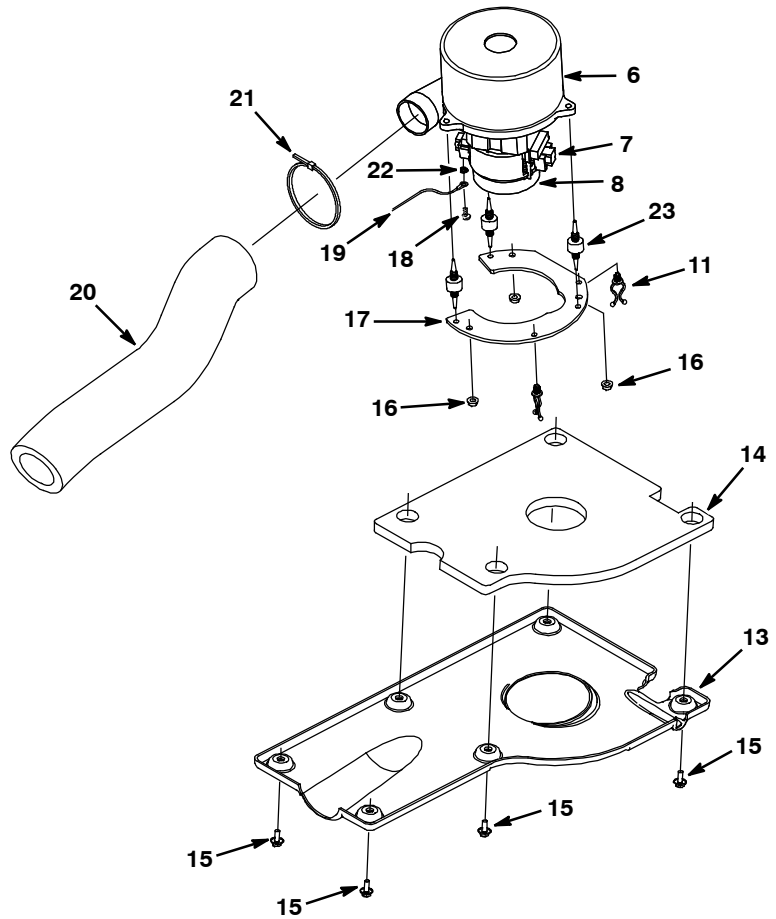
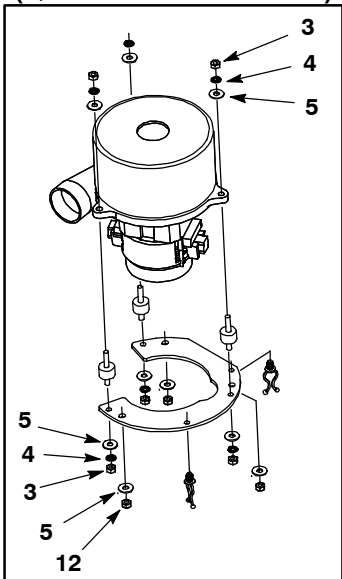
VACUUM MOTOR GROUP



(S/N 10358065- 10519188)



(S/N 00000000- 10358064)



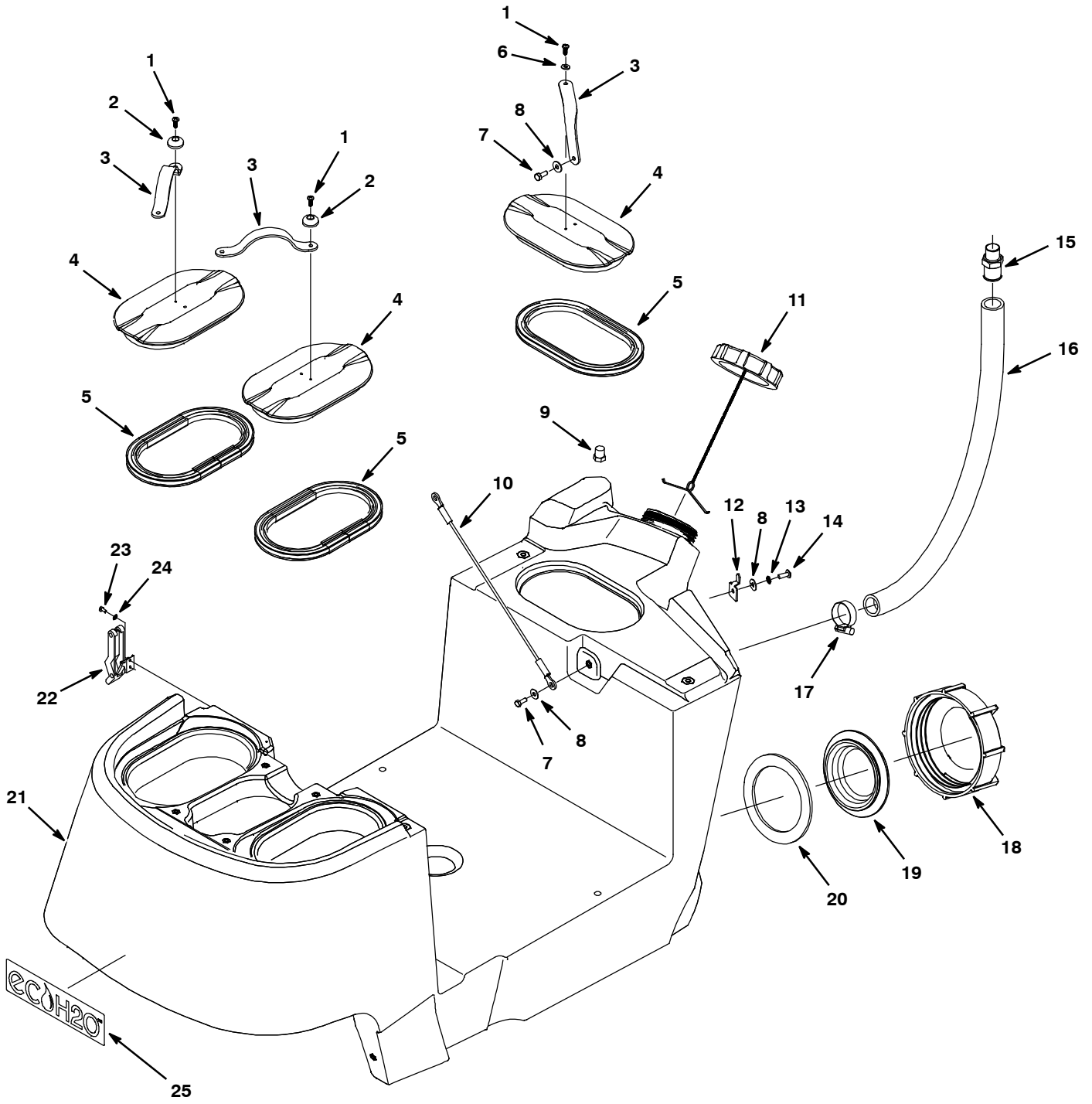
VACUUM MOTOR GROUP

Ref.	Part No.	Serial Number	Description	Qty.	
1	1015412	(00000000-) Rod, Thrd, Full, M06 X 1.0 05.5l	3	
2	1022406	(00000000-) Tube, 0.43d 0.28b 04.2l, Stl, Pl	3	
3	07785	(00000000- 10358064) Nut, Hex, Std, M6 X 1.0, A2, Ss	6	
4	07515	(00000000- 10358064) Washer, Lock, Int, 0.25 Ss	6	
5	01684	(00000000- 10358064) Washer, Flat, 0.25 Ss	9	
▽	6	9002562	(00000000-) Kit, Motor, Vac	1
▲	7	1073334	(00000000-) Brush, Carbon, Motor, Ele [1pick=1pkg] (1Pkg = 2 Brushes)	1
▲	8	130487	(00000000-) Housing, Motor, Fan, Vent	1
▲	9	100038	(00000000-) Gasket, Vacuum Mtr 5.7 Epdm W/Psa	1
10	1011093	(00000000- 10519188) Isolator, Vib, .75d, M6 Stud Both Ends	3	
11	30406	(00000000-) Clip, Keeper	3	
12	08712	(00000000- 10358064) Nut, Hex, Lock, M6 X 1.0, Ss, NI	3	
▽	13	9002565	(00000000-) Kit, Cover, Vac W/Foam	1
▲	14	1024112	(00000000-) Pad, Foam, Insulator	1
15	1034731	(00000000-) Screw, Hex, M6 X 1.00 X 16, Sems, Ss	6	
16	1040381	(10519189-) Nut, Hex, FIng, M6 X 1.0, Ss [Serrated]	3	
16	1040381	(10358065- 10519188) Nut, Hex, FIng, M6 X 1.0, Ss [Serrated]	9	
17	1022375	(00000000-) Bracket, Mtg, Vacuum	1	
18	140897	(00000000-) Screw, Hex, #10- 32 X 0.25, SI [Ground]	1	
19	1031368	(00000000-) Wire, 12ga [Esd, Tubular Braid]	1	
20	390677	(00000000-) Muffler, Exhaust, Vacuum Fan, Long	1	
21	130773	(00000000-) Tie, Cable, Nyl, 11.0l, .14w, 3.0 Max. D	1	
22	140052	(00000000-) Washer, Lock, Ext, 0.25 Ss	1	
23	1062016	(10519189-) Isolator, Vib, .75d	3	

▽ ASSEMBLY

▲ INCLUDED IN ASSEMBLY

SOLUTION TANK GROUP



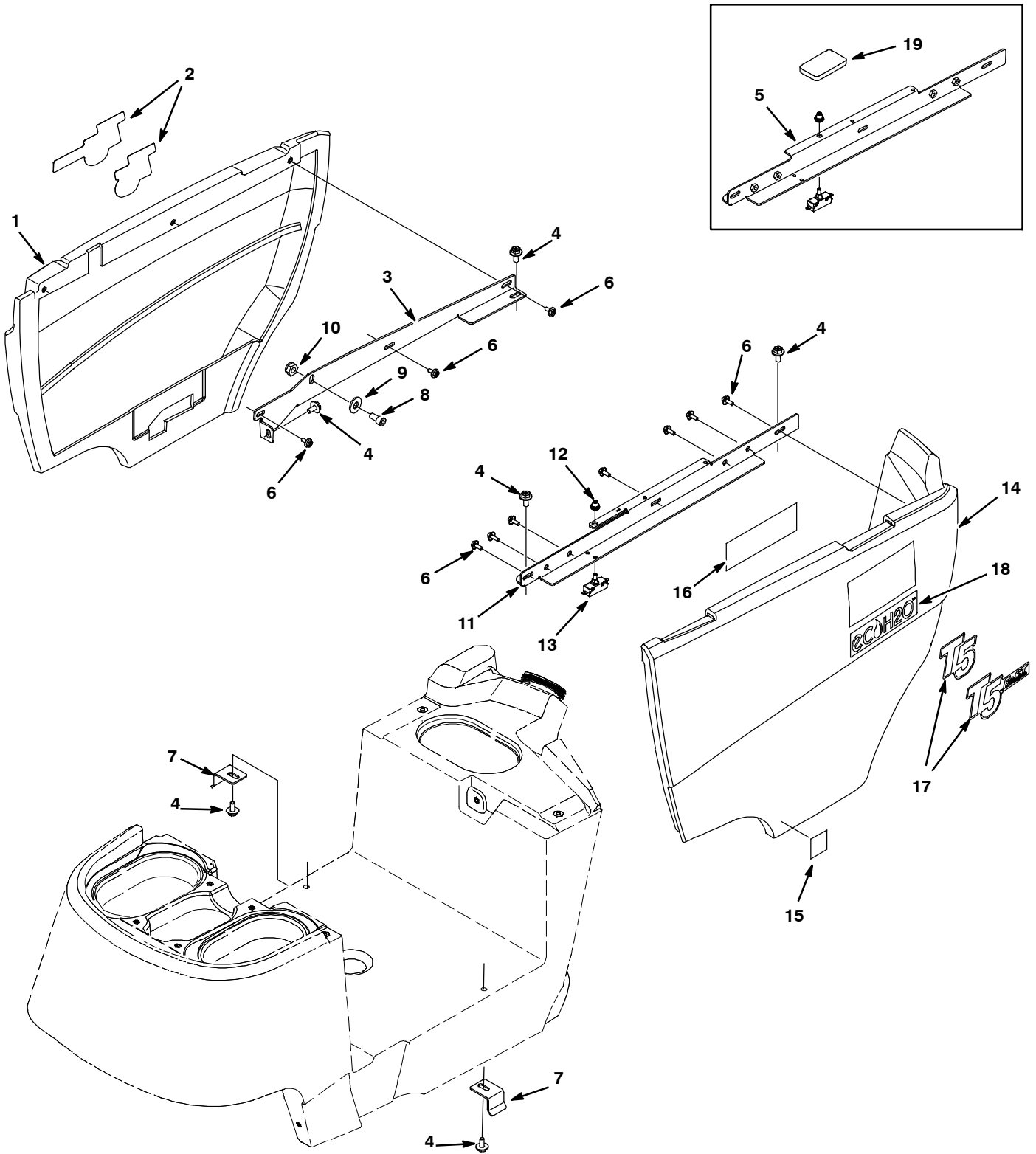
SOLUTION TANK GROUP

Ref.	Part No.	Serial Number	Description	Qty.	
1	1018155	(00000000-) Screw, Pan, M5 X 0.8 X16, Ss, Tcut	1	
2	361554	(00000000-) Bumper, Rbr, 0.90d 0.38th 0.18h	1	
3	1013768	(00000000-) Strap, Retaining, 20mm X 159mm X 3.2,Blk	3	
▽	4	9002566	(00000000-) Kit, Cover, Solution Tank Fill	3
▲	5	1024868	(00000000-) Gasket, Lip, Dual Durometer	3
6	01683	(00000000-) Washer, Flat, #10 Ss	1	
7	11329	(00000000-) Screw, Hex, M6 X 1.0 X 16, Ss, NI	13	
8	01684	(00000000-) Washer, Flat, 0.25 Ss	14	
9	22788	(00000000-) Fitting, Plstc, Plug, Pm04	1	
10	140960	(00000000-) Cable, Glv .13d 014.5l .34eye /.34eye	1	
11	1028723	(00000000-) Cap, Tank, 3.5", Non-Vented	1	
12	601460	(00000000-) Clip, Hanger, Hose, .25d Hole, Clr Zn	1	
13	07515	(00000000-) Washer, Lock, Int, 0.25 Ss	1	
14	608322	(00000000-) Screw, Trs, M6 X 1.0 X 16, Phl, Ss	1	
15	1041082	(00000000-) Fitting, Plstc, Str, Bm16/Pm12	1	
16	1023809	(00000000-) Hose, Drain, Soltn Tank	1	
17	11399	(00000000-) Clamp, Hose, Wormdrive, 0.81- 1.50d, .50w	1	
18	1014001	(00000000-) Cap, Tank, Drain, Thrđ	1	
19	1014029	(00000000-) Plug, Cap, Gray	1	
20	375206	(00000000-) Gasket, Cap, Drain, Rbr .19 4.0b 05.5d.	1	
21	9003655	(00000000-) Tank Kit, Soltn [T5] (Teal)	1	
21	9003656	(00000000-) Tank Kit, Soltn, HG [T5] (Gray)	1	
22	49800	(00000000-) Latch	1	
23	391403	(00000000-) Screw, Pan, M4 X 0.7 X 8, Ss	2	
24	02938	(00000000-) Washer, Lock, Int, 08 Ss	2	
25	1050008	(10378380-) Label, Front, Ec- H2o [T5/T5e] (Teal) (NLA - No Longer Available)	1	
25	1050009	(10378380-) Label, Front, Ec- H2o [T5 Gray] (NLA - No Longer Available)	1	

▽ ASSEMBLY

▲ INCLUDED IN ASSEMBLY

SIDE PANEL GROUP



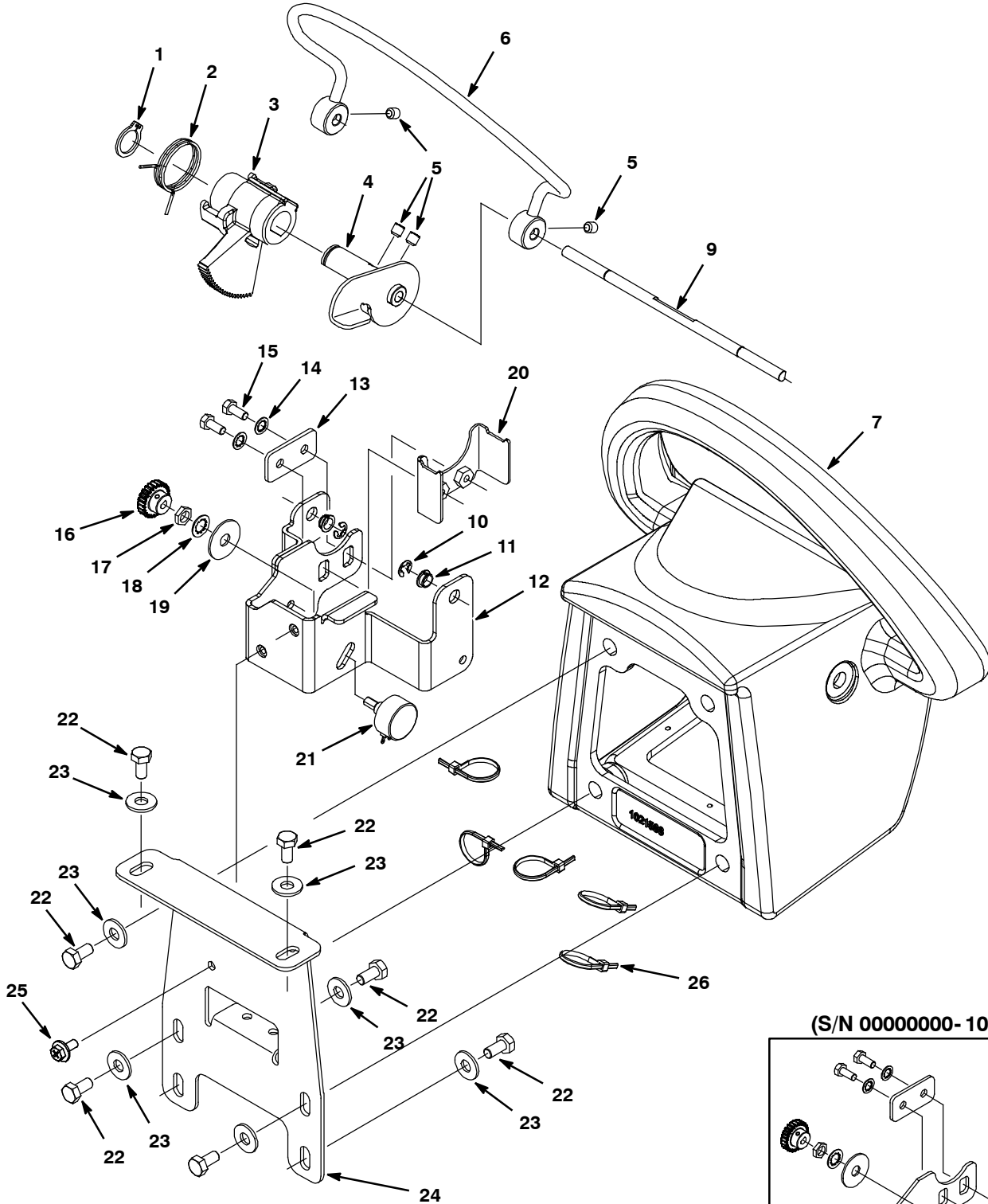
SIDE PANEL GROUP

Ref.	Part No.	Serial Number	Description	Qty.
1	9002569	(00000000-) Kit, Panel, Rh Side (Teal)	1
2	1024779	(00000000-) Label, Side [T5] (Teal)	1
2	1024780	(00000000-) Label, Side [T5 Fast] (Teal) (NLA - No Longer Available)	1
1	9002713	(00000000-) Kit, Panel, Rh Side Hg (Gray)	1
2	1032802	(00000000-) Label, Side, Gray [T5]	1
2	1032803	(00000000-) Label, Side, Gray [T5 Fast]	1
3	1021323	(00000000-) Rail, Side, Rh	1
4	1020341	(00000000-) Screw, Hex, M8 X 1.25 X 20, Ss, Sems	6
5	1022301	(00000000- 10332238) Rail, Side, Lh [T5]	1
6	1034731	(00000000-) Screw, Hex, M6 X 1.00 X 16, Sems, Ss	14
7	1023684	(00000000-) Bracket, Shroud, Bottom	2
8	607010	(00000000-) Screw, Soc, M10 X 1.5 X 20, Ss	1
9	01686	(00000000-) Washer, Flat, 0.44b 1.00 .08, Ss	1
10	08714	(00000000-) Nut, Hex, Lock, M10 X 1.5, NI, Ss	1
11	1034954	(10332239-) Rail, Side, Lh [T5]	1
12	1035711	(00000000-) Boot, Switch, Hex Nut, .38- 32 Thd	1
13	1071996	(00000000-) Switch, Push, Snap Action, 25a	1
▽	14	9002567	(00000000-) Kit, Panel, Lh Side W/O Charger (Teal)	1
▽	14	9002568	(00000000-) Kit, Panel, Lh Side W/Charger C/O (Teal)	1
▲	15	600624	(00000000-) Label, Parking Brake, Symbol	1
▲	16	1028175	(00000000-) Label, Instr, Charger Setting	1
	17	1024779	(00000000-) Label, Side [T5] (Teal)	1
	17	1024780	(00000000-) Label, Side [T5 Fast] (Teal) (NLA - No Longer Available)	1
	18	1050001	(10378380-) Label, Side, Ec- H2o [T3/T3e/T5/T7] (Teal) (NLA - Replaced by 1062813 - see page 16)	2
▽	14	9002711	(00000000-) Kit, Panel, Lh Side Hg W/O Charger (Gray)	1
▽	14	9002712	(00000000-) Kit, Panel, Lh Side Hg W/ Chgr C/O (Gray)	1
▲	15	600624	(00000000-) Label, Parking Brake, Symbol	1
▲	16	1028175	(00000000-) Label, Instr, Charger Setting	1
	17	1032802	(00000000-) Label, Side, Gray [T5]	1
	17	1032803	(00000000-) Label, Side, Gray [T5 Fast]	1
	18	1050002	(10378380-) Label, Side, Ec- H2o [T3/T5/T7 Gray] (NLA - Replaced by 1062813 - see page 16)	2
	19	1032763	(00000000- 10332238) Gasket, Stand, Support	1

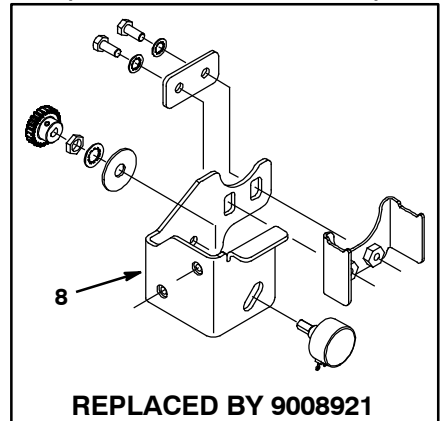
▽ ASSEMBLY

▲ INCLUDED IN ASSEMBLY

CONTROL CONSOLE GROUP



(S/N 0000000- 10548347)



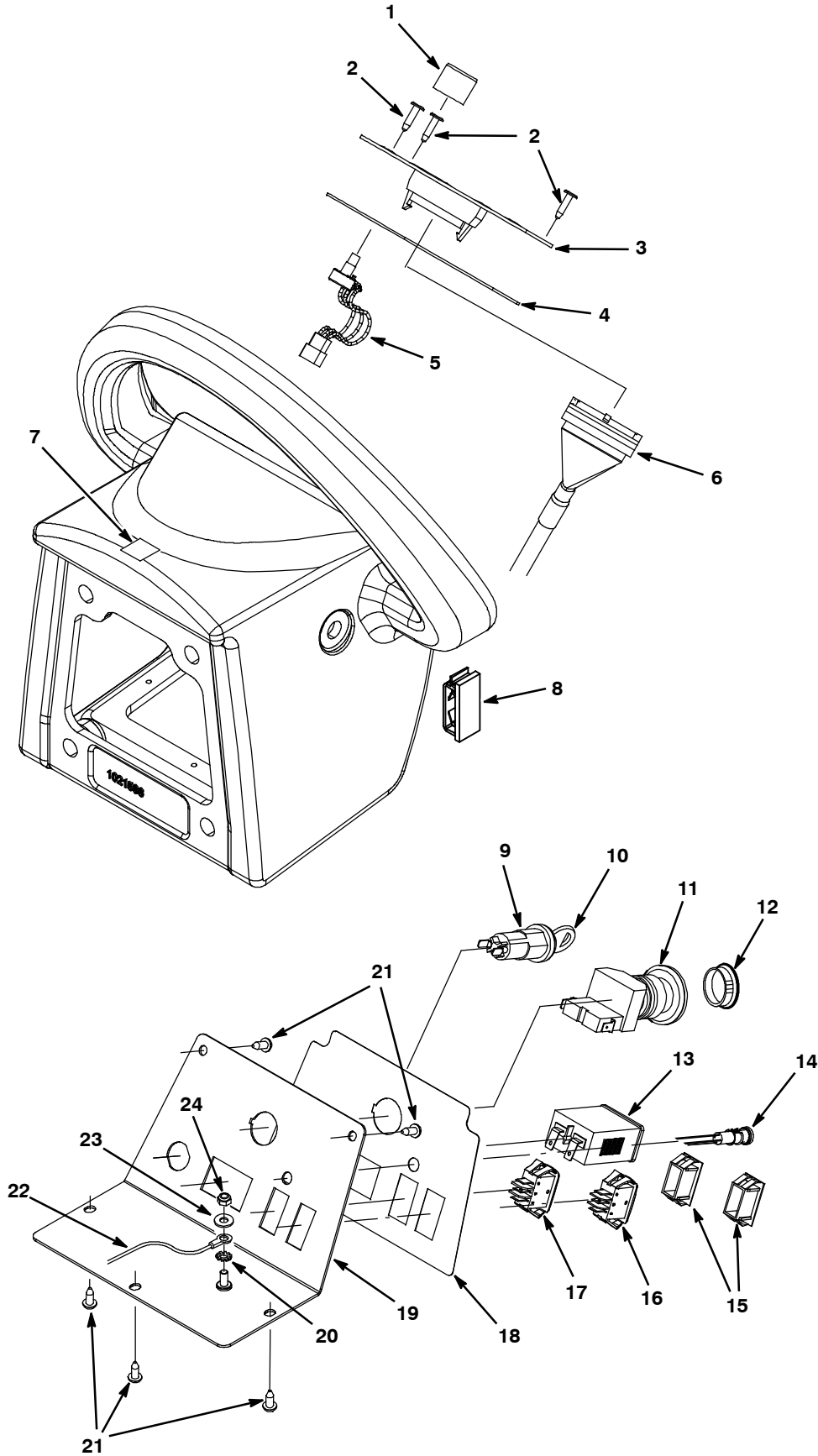
CONTROL CONSOLE GROUP

Ref.	Part No.	Serial Number	Description	Qty.	
1	1025121	(00000000-) Ring, Retaining, Hd Ext 19d Shaft	1	
2	630088	(00000000-) Spring, Tors, Cntr, .072mw, Zn	1	
3	1021904	(00000000-) Actuator, Drive, Bail	1	
4	1023869	(00000000-) Shaft Wldt, Actuator, Bail	1	
5	1015578	(00000000-) Screw, Set, M8 X 1.25 X 8, Cuppt, Ss, NI	4	
6	1020748	(00000000-) Lever Wldt, Bail, Console	1	
7	9002787	(00000000-) Housing Kit, Cntrl [T5] (Note: Before S/N 10548348 Also Order Kit 9008921)	1	
▽	8	9008921	(00000000- 10548347) Console Brkt Kit, Replmt [T5]	1	
▲	9	1067080	(00000000-) Shaft, Actuator, Forward / Reverse, Rev	1
▲	10	1035139	(10548348-) Ring, Retaining, Ext, 0.31d, E- Type	2
▲	11	1067122	(10548348-) Spacer, Flanged, Nylon, 8mm Id	2
▲	12	1065445	(10548348-) Bracket Wldt, Bail [T5]	1
	13	1015826	(00000000-) Plate, Screw, Bail	1
	14	07515	(00000000-) Washer, Lock, Int, 0.25 Ss	2
	15	15678	(00000000-) Screw, Hex, M6 X 1.0 X 16, Ss	2
	16	1020403	(00000000-) Gear, Spur, 24p, 24t	1
	17	222607	(00000000-) Nut, Hex, Thin, .38- 32	1
	18	43953	(00000000-) Washer, Lock, Int, 0.38 Ss	1
	19	32662	(00000000-) Washer, Flat, 0.38b 1.22d .06, Ss	1
	20	1015570	(00000000-) Bracket, Spring, Balancer, Bail	1
	21	1021853	(00000000-) Potentiometer Assy, Throttle	1
	22	49826	(00000000-) Screw, Hex, M8 X 1.25 X 16, Ss, NI	8
	23	01685	(00000000-) Washer, Flat, 0.31 Ss	8
	24	1022657	(00000000-) Bracket, Mtg, Console, T5	1
	25	1034731	(00000000-) Screw, Hex, M6 X 1.00 X 16, Sems, Ss	2
	26	130773	(00000000-) Tie, Cable, Nyl, 11.0l, .14w, 3.0 Max. D	5

▽ ASSEMBLY

▲ INCLUDED IN ASSEMBLY

CONTROL CONSOLE GROUP - CONT'D



CONTROL CONSOLE GROUP - CONT'D

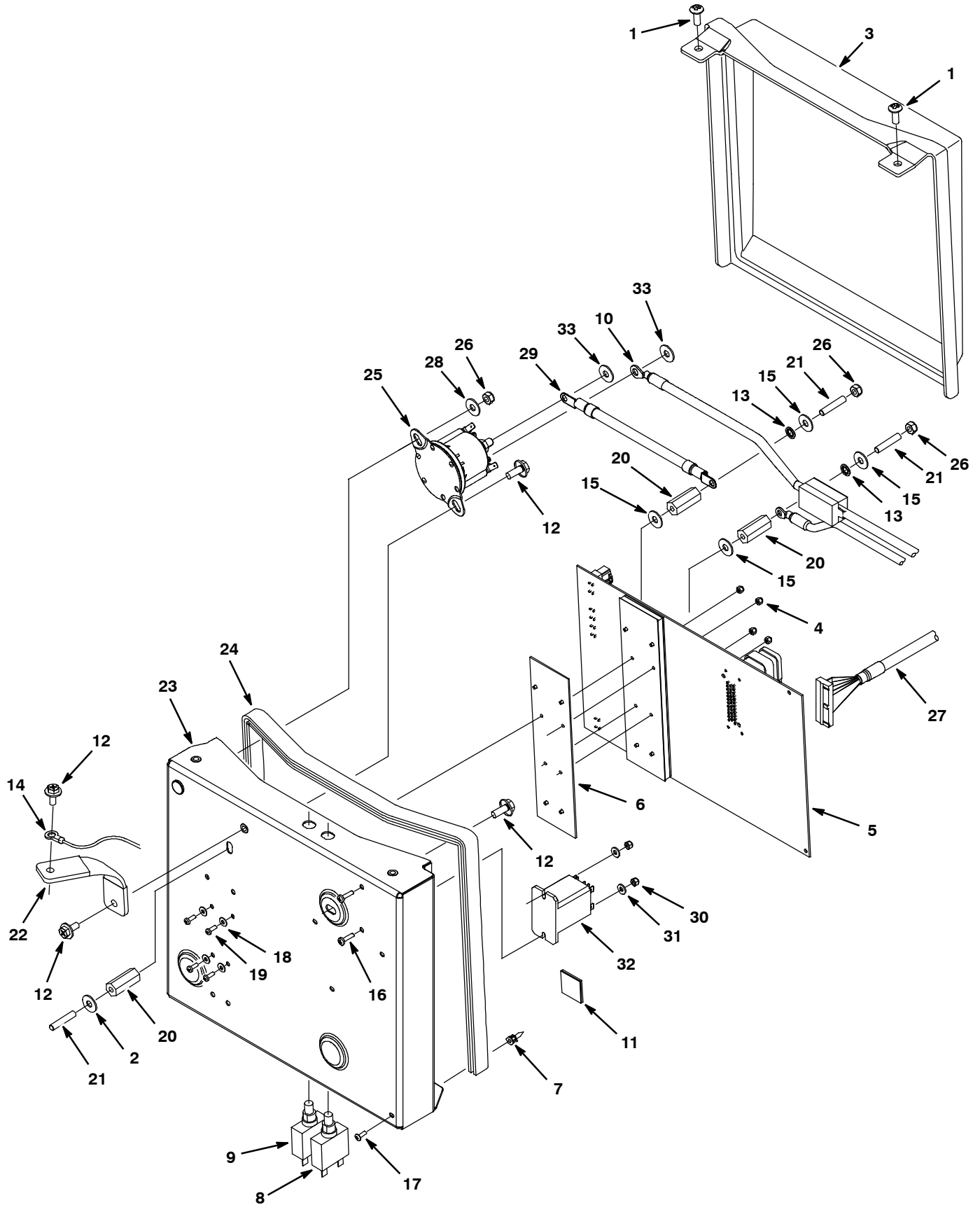
Ref.	Part No.	Serial Number	Description	Qty.	
1	606550	(00000000-) Knob, Rnd, 0.92d 0.76l 0.25b Plstc	1	
2	72969	(00000000-) Rivet, Plstc, .181d X 0.720	3	
▽	3	9002570	(00000000-) Kit, Panel, Upper Instmt	1
▲	4	1023554	(00000000-) Gasket, Panel, Upper	1
5	1022706	(00000000-) Potentiometer, Control, 0- 20k Assy	1	
6	1021778	(00000000-) Cable, Ribbon [T5]	1	
7	1016572	(00000000-) Label, Dir	1	
8	222666	(00000000- 10548348) Clamp, Cable, Ribbon, 1.25w 0.25h, Plstc	1	
▽	9	1011402	(00000000-) Switch, Key	1
▲	10	1017696	(00000000-) Key, Replmt, Set Of 2 [F/1011402]	1
11	1011735	(10536688-) Switch, Safety, Shutoff	1	
12	130161	(00000000- 10536687) Plug, Hole, Rnd, 0.875d, Blk (For Models Before S/N 10536688 w/out E- Stop Switch)	1	
13	1011282	(00000000-) Gauge, Hourmeter, 12- 60vdc, Analog, Rt., 1	1	
14	1041822	(10378380-) Light, Led, .312D, 5 Volt [Tri- Color] (ec- H2O Model)	1	
15	582150	(00000000-) Button, Plug, Accssry Switch	2	
16	130787	(00000000-) Switch, Rocker, V C A Spdt (Optional Wand)	1	
17	130787	(00000000-) Switch, Rocker, V C A Spdt (Fast & ec- H2O Models)	1	
18	1023883	(00000000-) Label, Opertnl, Lower (Standard & Fast Models)	1	
18	1050006	(10378380-) Label, Console, Lower Ec- H2o [T5]	1	
19	1041619	(00000000-) Panel, Instmt, Lower Bent [T5]	1	
20	140052	(00000000-) Washer, Lock, Ext, 0.25 Ss	1	
21	1009324	(00000000-) Screw, Pan, #10- 16 X 0.50, Phl, Ty- 17 Blk	5	
22	1031368	(00000000-) Wire, 12ga [Esd, Tubular Braid, T5]	1	
23	01683	(00000000-) Washer, Flat, #10 Ss	1	
24	09739	(00000000-) Nut, Hex, Lock, M5 X 0.8, NI, Ss	1	

▽ ASSEMBLY

▲ INCLUDED IN ASSEMBLY

STANDARD PARTS

COMPONENT PANEL GROUP (S/N 10632988-)



COMPONENT PANEL GROUP (S/N 10632988-)

Ref.	Part No.	Serial Number	Description	Qty.	
1	608322	(00000000-) Screw, Trs, M6 X 1.0 X 16, Phl, Ss	2	
2	01684	(00000000-) Washer, Flat, 0.25 Ss	2	
3	1022820	(00000000-) Cover, Electronics	1	
4	579211	(00000000-) Nut, Hex, Lock, M3 X .5, Ss	4	
▽	5	9012721	(00000000-) Circuitboard Kit, Logic [T5]	1
▲	27964	(00000000-) Strap, Static Ground, Disposable	1	
▲	6	1016816	(00000000-) Pad, Thermal, Heat Sink	1
▲	7	1016825	(00000000-) Support, Circuitboard	4
8	383720	(00000000-) Circuitbreaker, 05.0a	1	
9	383721	(00000000-) Circuitbreaker, 10.0a	1	
10	1067443	(10632988-) Harness, Battery, Fused, Us [T5]	1	
11	55248	(00000000-) Mount, Cable Tie	3	
12	1034731	(00000000-) Screw, Hex, M6 X 1.00 X 16, Sems, Ss	4	
13	32982	(10632988-) Washer, Lock, Int, 0.25	2	
14	1029310	(00000000-) Harness, Est	1	
15	1057560	(00000000-) Washer, Flat, M6.4b, X 16d X 1 PI	4	
16	24265	(10306157-) Screw, Pan, M4 X 0.7 X 16, Ss	2	
17	3701.6	(00000000-) Screw, Pan, #06- 32 X 0.38, Phl Ss Shtmtl	4	
18	1019218	(00000000-) Washer, Flat, 0.14b 0.31d, Nyl	4	
19	06922	(00000000-) Screw, Pan, M3 X 0.5 X 20, 4.8	4	
20	1002078	(00000000-) Spacer, .50x X 1.25l, M6 Thread	3	
21	1018559	(00000000-) Screw, Set, M6 X 1.0 X 30, Ss	3	
22	1029051	(00000000-) Strap, Static, Controller	1	
▽	23	9010098	(10632988-) Housing Kit, Ele [T5 New Relay]	1
▲	24	1008675	(00000000-) Gasket, Foam, Edge (Fr)	1
25	1066409	(10632988-) Relay, 24vdc, 150a, No [Trombetta]	1	
26	41359	(10632988-) Nut, Hex, Std, M6 X 1.0, 8	3	
27	1021778	(00000000-) Cable, Ribbon [T5]	1	
28	32490	(10632988-) Washer, Flat, 0.25, Std	1	
29	1067030	(10632988-) Cable, Controller, 210mml, Red [T5]	1	
30	33932	(10306157-) Nut, Hex, Lock, M4 X 0.70, NI, Ss	2	
31	19065	(10306157-) Washer, Flat, #08	2	
32	1001219	(10306157-) Relay, 24vdc, Dpdt	1	
33	1066493	(10632988-) Washer, Flat, 0.35b 0.75d .04, PI	2	

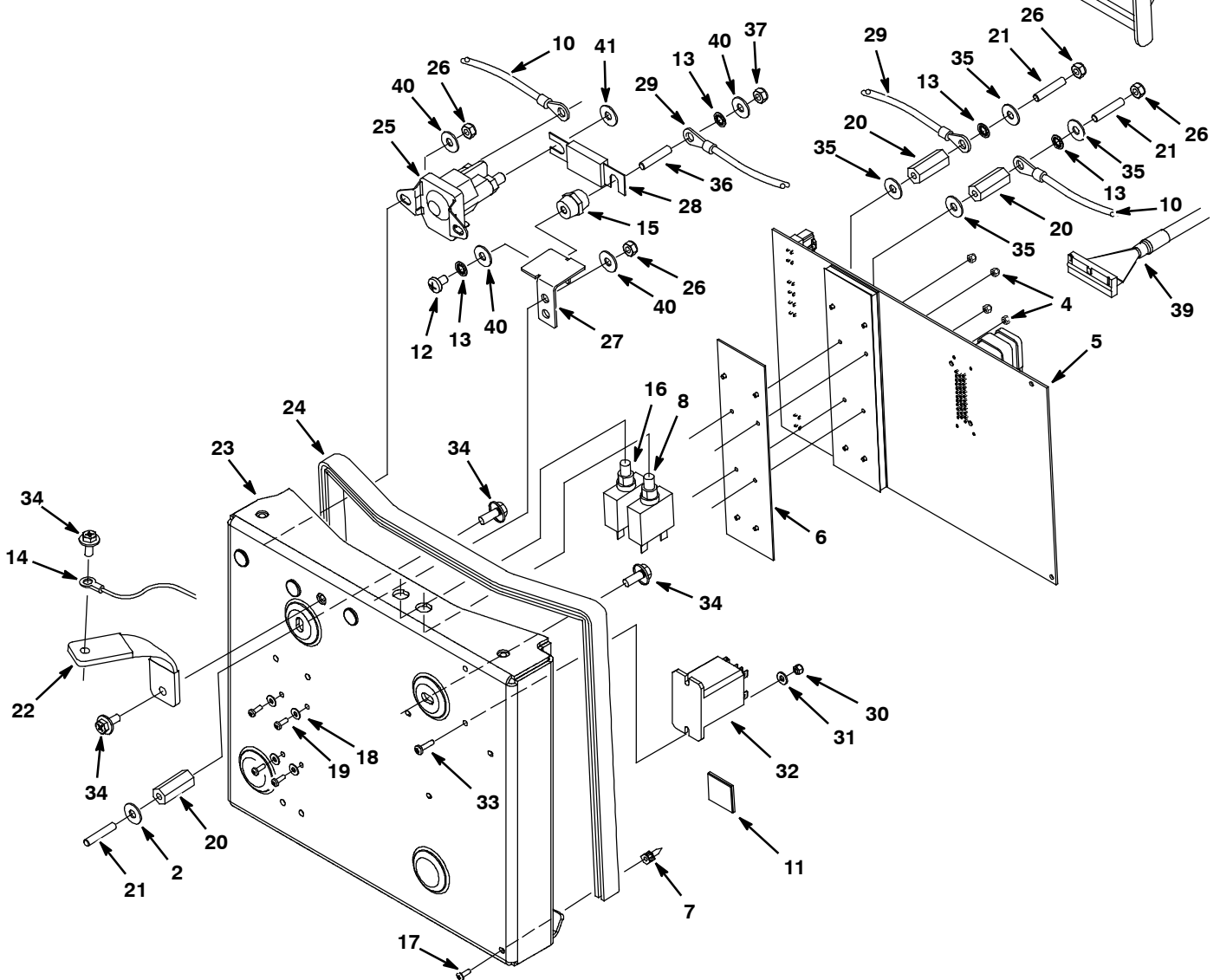
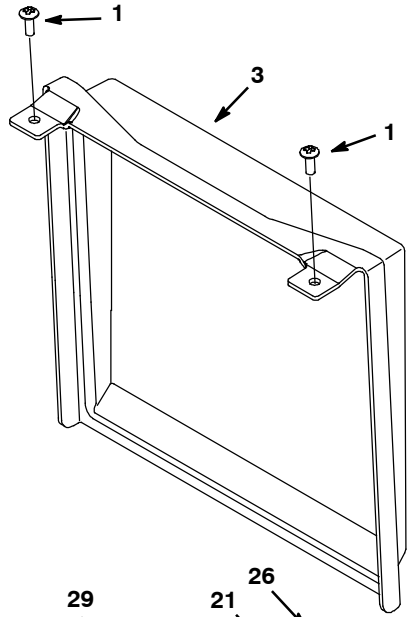
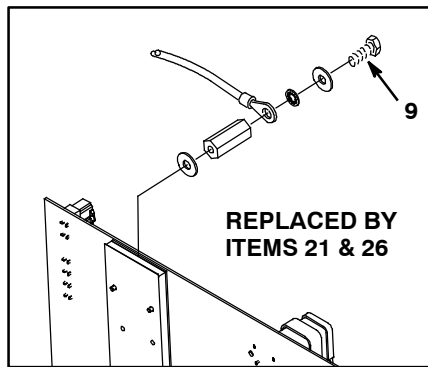
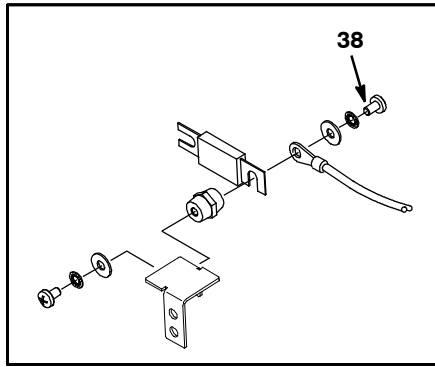
▽ ASSEMBLY

▲ INCLUDED IN ASSEMBLY

STANDARD PARTS

COMPONENT PANEL GROUP (S/N 0000000-10632987)

(S/N 00000000-10473939)



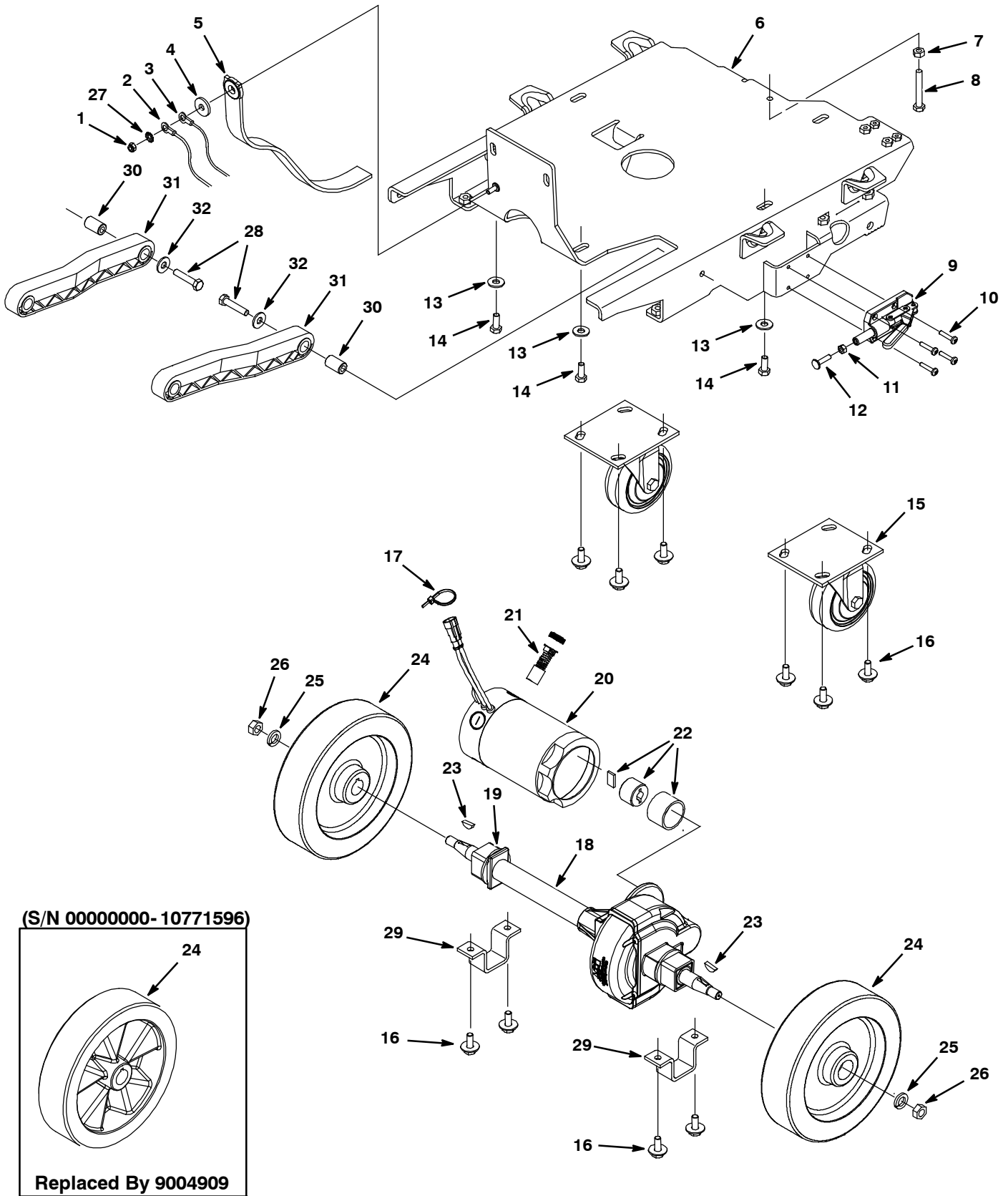
COMPONENT PANEL GROUP (S/N 0000000-10632987)

Ref.	Part No.	Serial Number	Description	Qty.	
1	608322	(00000000-) Screw, Trs, M6 X 1.0 X 16, Phl, Ss	2	
2	01684	(00000000-) Washer, Flat, 0.25 Ss	1	
3	1022820	(00000000-) Cover, Electronics	1	
4	579211	(00000000-) Nut, Hex, Lock, M3 X .5, Ss	4	
▽	5	9008406	(00000000-) Circuitboard Kit, Logic [T5]	1
▲	27964	(00000000-) Strap, Static Ground, Disposable	1	
▲	6	1016816	(00000000-) Pad, Thermal, Heat Sink	1
▲	7	1016825	(00000000-) Support, Circuitboard	4
8	383720	(00000000-) Circuitbreaker, 05.0a	1	
9	11329	(00000000-) Screw, Hex, M6 X 1.0 X 16, Ss, NI	1	
10	1024479	(00000000- 10632987) Harness, Battery, Us	1	
11	55248	(00000000-) Mount, Cable Tie	3	
12	48732	(10473940- 10632987) Screw, Pan, M6 X 1.0 X 10, Ss	1	
13	32982	(00000000- 10632987) Washer, Lock, Int, 0.25	4	
14	1029310	(00000000-) Harness, Est	1	
15	1013523	(00000000- 10632987) Stand- Off, Wire, M6	1	
16	383721	(00000000-) Circuitbreaker, 10.0a	1	
17	3701.6	(00000000-) Screw, Pan, #06- 32 X 0.38, Phl Ss Shtmtl	4	
18	1019218	(00000000-) Washer, Flat, 0.14b 0.31d, Nyl	4	
19	06922	(00000000-) Screw, Pan, M3 X 0.5 X 20, 4.8	4	
20	1002078	(00000000-) Spacer, .50x X 1.25l, M6 Thread	3	
21	1018559	(00000000-) Screw, Set, M6 X 1.0 X 30, Ss	3	
22	1029051	(00000000-) Strap, Static, Controller	1	
▽	23	9002572	(00000000- 10632987) Kit, Housing, Electrical	1
▲	24	1008675	(00000000-) Gasket, Foam, Edge (Fr)	1
25	1038490	(00000000- 10632987) Relay, 24vdc, 100a, No [Trombetta]	1	
26	41359	(00000000- 10632987) Nut, Hex, Std, M6 X 1.0, 8	2	
27	1023868	(00000000- 10632987) Bracket, Stand- Off	1	
28	86379	(00000000- 10632987) Fuse, .88 X 3.2l 100a 125vac	1	
29	1024511	(00000000- 10632987) Cable, Cntrl Red	1	
30	33932	(10306157-) Nut, Hex, Lock, M4 X 0.70, NI, Ss	2	
31	19065	(10306157-) Washer, Flat, #08	2	
32	1001219	(10306157-) Relay, 24vdc, Dpdt	1	
33	24265	(10306157-) Screw, Pan, M4 X 0.7 X 16, Ss	2	
34	1034731	(00000000-) Screw, Hex, M6 X 1.00 X 16, Sems, Ss	4	
35	1057560	(00000000-) Washer, Flat, M6.4b, X 16d X 1 PI	4	
36	1018559	(10473940- 10632987) Screw, Set, M6 X 1.0 X 30, Ss	1	
37	07785	(10473940- 10632987) Nut, Hex, Std, M6 X 1.00, Ss	1	
38	48732	(00000000- 10473939) Screw, Pan, M6 X 1.0 X 10, Ss (Replaced By #36 & #37)	1	
39	1021778	(00000000-) Cable, Ribbon [T5]	1	
40	32490	(00000000- 10632987) Washer, Flat, 0.25, Std	6	
41	1066493	(00000000-) Washer, Flat, 0.35b 0.75d .04, PI	1	

▽ ASSEMBLY

▲ INCLUDED IN ASSEMBLY

DRIVE GROUP



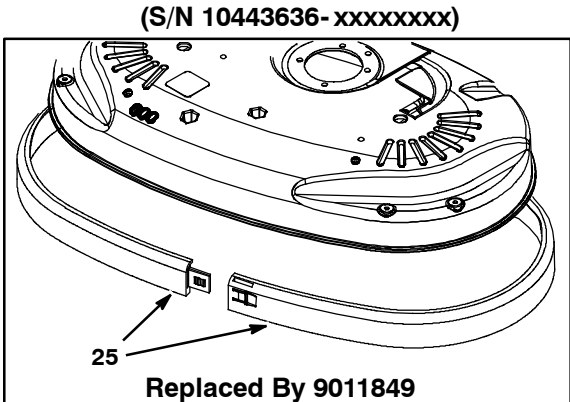
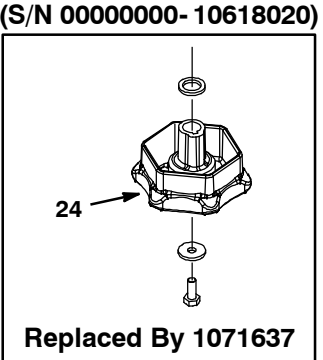
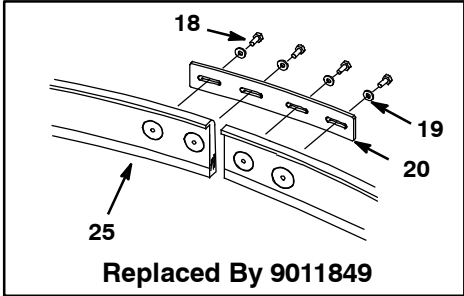
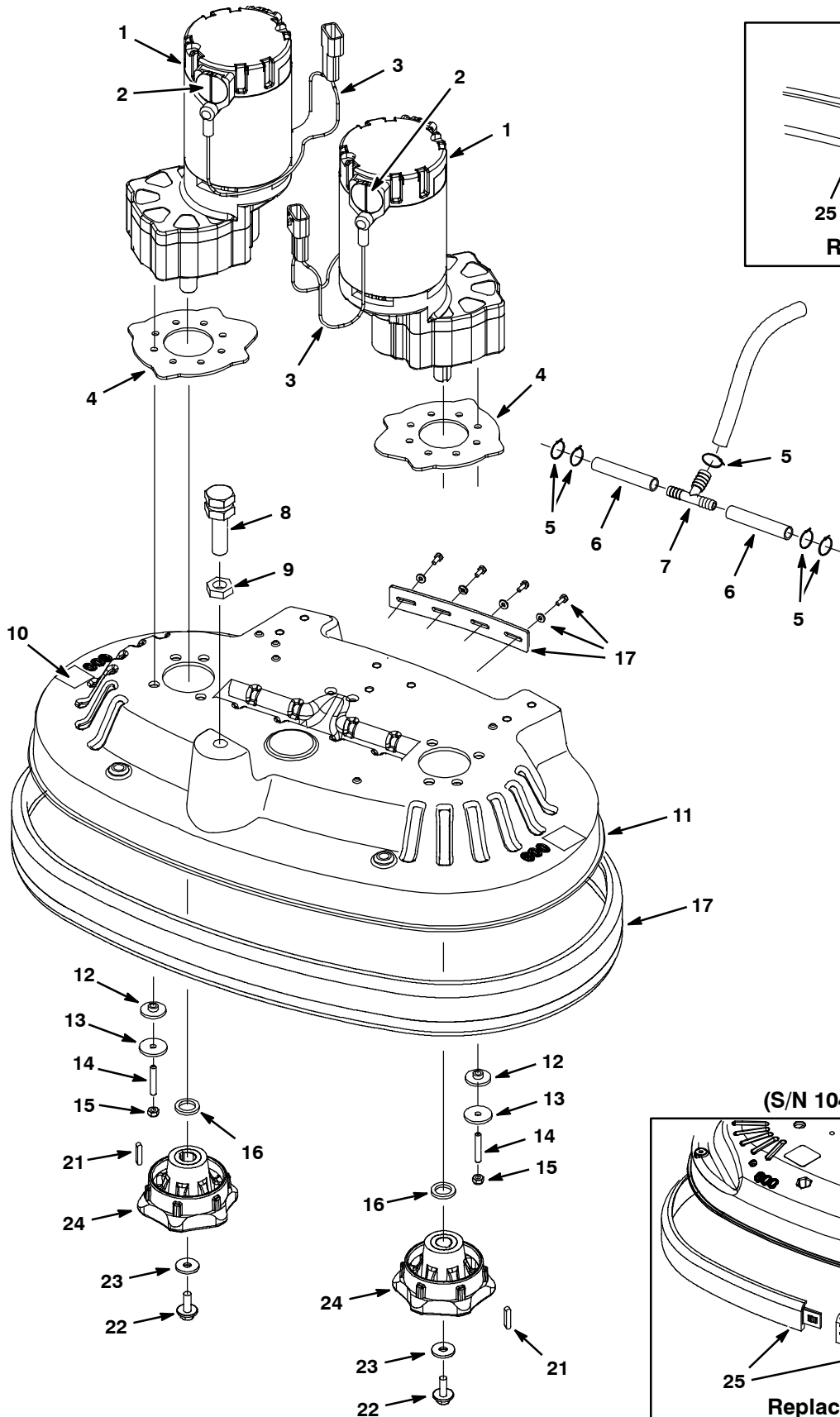
DRIVE GROUP

Ref.	Part No.	Serial Number	Description	Qty.	
1	08712	(00000000-) Nut, Hex, Lock, M6 X 1.0, Ss, NI	1	
2	1031370	(00000000-) Wire, 12 Awg X 250mm	1	
3	1029310	(00000000-) Harness, Ground, 12 Awg	1	
4	140053	(00000000-) Washer, Flat, 0.28b 0.88d .12, Ss	1	
5	1029181	(00000000-) Strap, Static	1	
6	1020959	(00000000-) Frame Wldt, Transaxle	1	
7	07786	(00000000-) Nut, Hex, Std, M8 X 1.25, Ss	1	
8	222504	(00000000-) Screw, Hex, M8 X 1.25 X 55, Ss	1	
9	1022878	(00000000-) Clamp, Str, 30mm Strk (Optional)	1	
10	55845	(00000000-) Screw, Hex, M5 X 0.80 X 16, Fmg	4	
11	07785	(00000000-) Nut, Hex, Std, M6 X 1.0, A2, Ss	1	
12	1017416	(00000000-) Screw, Weld, M06 X 1.00 X 25, Thru, Ss	1	
13	1016331	(00000000-) Washer, Flat, 0.34b 1.25d .11, Ss	5	
14	12273	(00000000-) Screw, Hex, M8 X 1.25 X 20, Ss, NI	5	
15	1049048	(00000000-) Caster, Swivel, 4.0d 1.4w, 4hole [400lb]	2	
16	1020341	(00000000-) Screw, Hex, M8 X 1.25 X 20, Ss, Sems	12	
17	130773	(00000000-) Tie, Cable, Nyl, 11.0l, .14w, 3.0 Max. D	4	
▽	18	1021168	(00000000-) Transaxle, 24vdc, 110rpm [Asi]	1
▲	19	612880	(00000000-) Sleeve, Transaxle, Replmt	2
▲▽	20	1031723	(00000000-) Motor, Transaxle, 24vdc, Replmt, Asi	1
▲▲	21	614166	(00000000-) Brush Kit, Carbon [Qty 4]	1
▲	22	1017782	(00000000-) Coupling Kit, Transaxle, Replmt [11057]	1
▲	23	1021167	(00000000-) Key, Woodruff, 5mm	2
▽		9004909	(00000000-) Wheel Kit, Solid, Ci [T5 T5e Ss5]	1
▲	24	1223583	(10819239-) Wheel, Scrbr, 213mm, W/ Taper	2
	24	1218753	(10771597- 10819238)	Wheel, Scrbr, 213mm, W/ Taper (Replaced by 9004909)	2
	24	1020688	(00000000- 10771596)	Wheel, Scrbr, 213.00mm With Taper (Replaced by 9004909)	2
	25	140024	(00000000-) Washer, Lock, Splt, 0.50, Ss	2
	26	07788	(00000000-) Nut, Hex, Std, M12 X 1.75, Ss	2
	27	140052	(00000000-) Washer, Lock, Ext, 0.25 Ss	1
	28	74440	(00000000-) Screw, Hex, M8 X 1.25 X 40, Ss, NI	2
	29	606001	(00000000-) Bracket, Transaxle, Mtg, Ylw Zn	2
	30	606056	(00000000-) Tube, 00.62d 00.32b 01.0l Stl Plt	2
	31	222027	(00000000-) Arm, Lift, Head	2
	32	01685	(00000000-) Washer, Flat, 0.31 Ss	2
	N/S	1024588	(00000000-) Harness, Chassis, Wire, Us	1

▽ ASSEMBLY

▲ INCLUDED IN ASSEMBLY

SCRUB HEAD GROUP, DISK 24 in / 600 mm



SCRUB HEAD GROUP, DISK 24 in / 600 mm

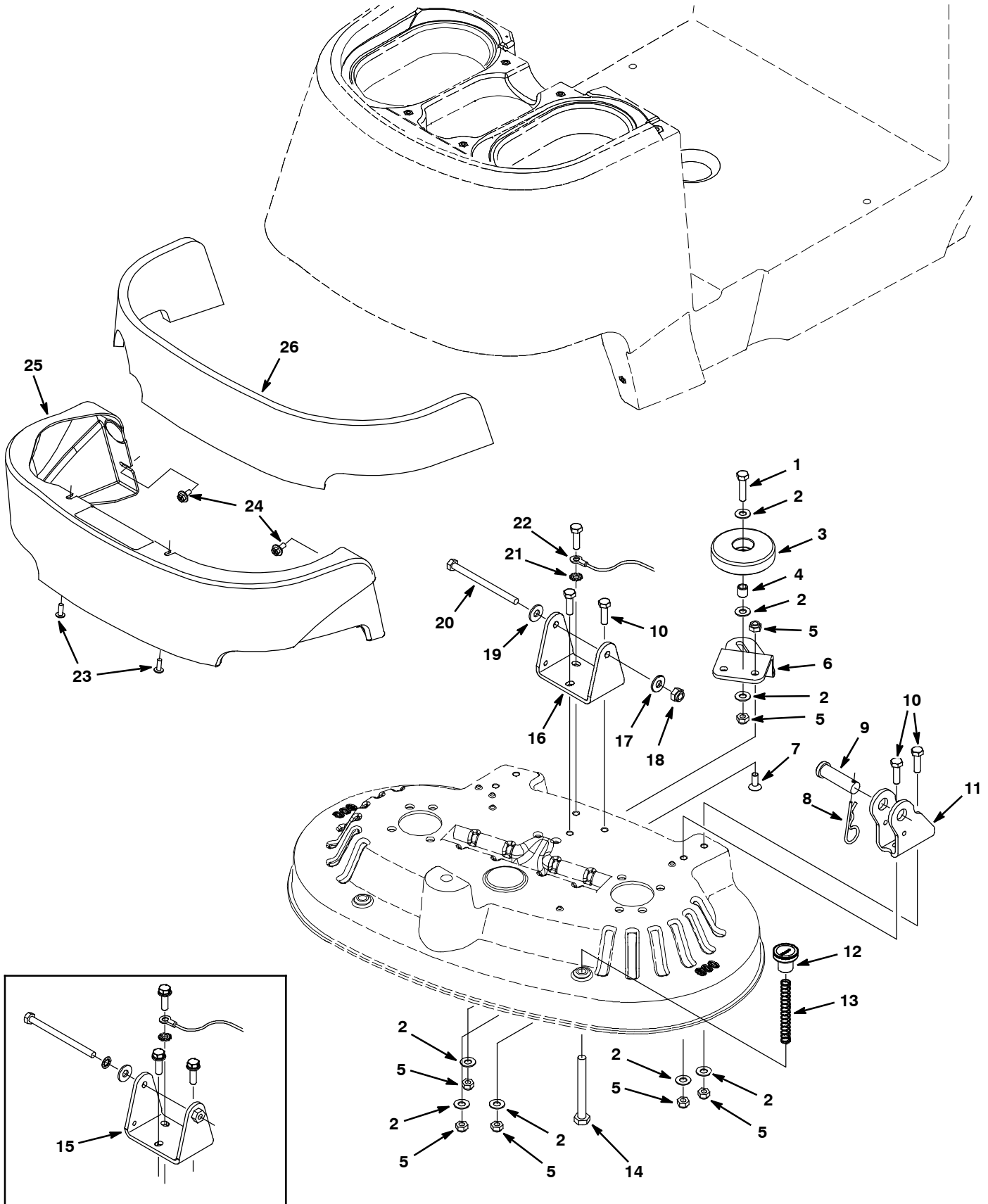
Ref.	Part No.	Serial Number	Description	Qty.
▽	1	1023067	(00000000-) Motor, Gearbox,24vdc, 220rpm, 0.75hp	2
▲	2	1031775	(00000000-) Brush, Brush- Motor, Afmkt	1
▲	3	1031681	(00000000-) Harness, Connector, Brush- Motor- Us	1
	4	1024321	(00000000-) Spacer, Rbr, Motor	2
	5	130773	(00000000-) Tie, Cable, Nyl, 11.0l, .14w, 3.0 Max. D	7
	6	606362	(00000000-) Hose 3/8ldX5/8OdX6.5 (611254)	2
	7	1022556	(00000000-) Fitting, Plstc, Tee, Bm06/Bm06/Bm08	1
	8	1022424	(00000000-) Stud, Adj, M16, Scrub Head	1
	9	763066	(00000000-) Nut, Hex, Jam, M16 X 2.0	1
	10	578769	(00000000-) Label, Moving Parts	2
	11	1022402	(00000000-) Housing, Casting, Head, 60cm, Mach	1
	12	1025160	(00000000-) Grommet, Isolator, 6b X 10od X 26.0fl	8
	13	386063	(00000000-) Washer, Flat, 0.25b 1.12d .12, Ss	8
	14	1025853	(00000000-) Screw, Set, M6 X 1.00 X 35, Ss, NI	8
	15	08712	(00000000-) Nut, Hex, Lock, M6 X 1.0, Ss, NI	8
	16	1022549	(00000000-) Spacer, Shaft, 17.15b, 25.0d, 3.0t	2
	17	9011849	(xxxxxxx-) Bumper, Head, 60cm, Bristle Skirt (Includes Mounting Hardware & Retaining Strap)	1
	18	1020234	(00000000- 10443635) Screw, Hex, M4 X 0.7 X 10, Ss	4
	19	41578	(00000000- 10443635) Washer, Flat, #06 Ss	4
	20	1023573	(00000000- 10443635) Strap, Retaining, Skirt (Replaced by 9011849)	1
	21	1014328	(00000000-) Key, Sq, 05mm X 05mm, 25l	2
	22	1072628	(00000000-) Screw, Hex, M8 X 1.25 X 25, Ss, Sems	2
	23	1017218	(00000000-) Washer, Flat, 0.32b 1.00d .12, Ss	2
	24	1071637	(10618021-) Hub, Drive, Brush, Disk, 17mmb	2
	24	1022550	(00000000- 10618020) Hub, Drive, Brush, Disk, 17mm (Replaced by 1071637)	2
	25	1053609	(10443636- xxxxxxxx) Bumper, Head, 60cm, Bristle Skirt (Replaced by 9011849)	1
	25	1024938	(00000000- 10443635) Bumper, Head, 60cm, Bristle Skirt, Assy (Replaced by 9011849)	1

▽ ASSEMBLY

▲ INCLUDED IN ASSEMBLY

STANDARD PARTS

SCRUB HEAD GROUP, DISK 24 in / 600 mm - CONT'D



SCRUB HEAD GROUP, DISK 24 in / 600 mm - CONT'D

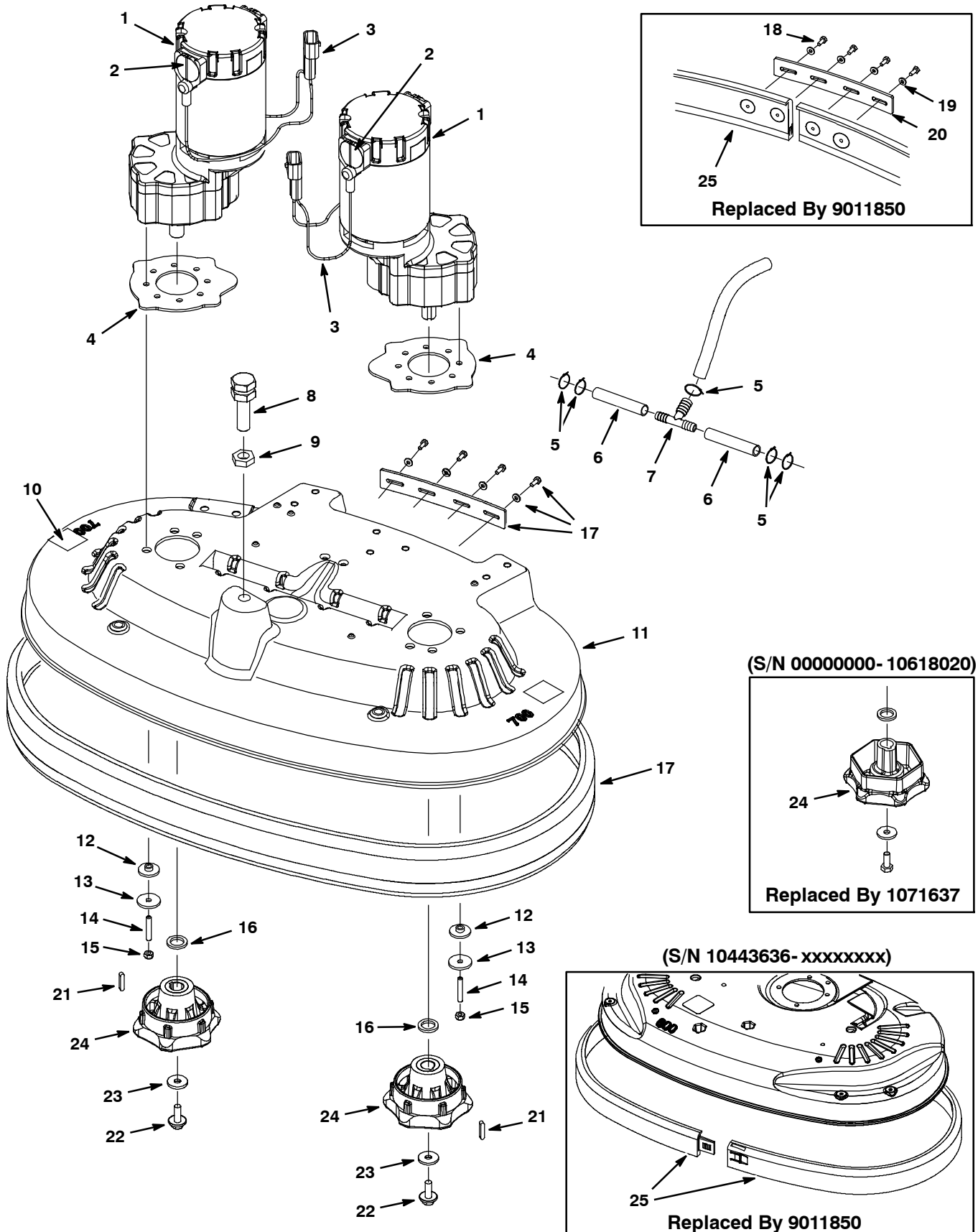
Ref.	Part No.	Serial Number	Description	Qty.	
1	09023	(00000000-) Screw, Hex, M8 X 1.25 X 35, Ss, Fl	1	
2	140027	(00000000-) Washer, Flat, 0.35b 0.75d .04, Ss	10	
3	1010560	(00000000-) Wheel, Bmpr, 80d X 25w, Non- Marking	1	
4	222460	(00000000-) Sleeve, P/M, 0.496d 0.318b 0.50l 430ss	1	
5	08713	(00000000-) Nut, Hex, Lock, M8 X 1.25, NI, Ss	10	
6	1022344	(00000000-) Bracket, Roller, Wall, Scrubhead, 60cm	1	
7	79246	(00000000-) Screw, Flt, M8 X 1.25 X 20, Ss 18- 8	2	
8	02942	(00000000-) Pin, Hair Cotter, 0.62 D .120 Wir	2	
9	222210	(00000000-) Pin, Clevis, 0.62 D X 2.12l	2	
10	09011	(00000000-) Screw, Hex, M8 X 1.25 X 30, Ss	7	
11	1022227	(00000000-) Bracket, Link, Scrubhead	2	
12	1024179	(00000000-) Knob, Knurled, M10 Thread	2	
13	626081	(00000000-) Spring, Cmpr, 12.1d, 0.9w, 90.0l	2	
14	09746	(00000000-) Screw, Hex, M10 X 1.5 X 90, Ss	2	
15	N/A	(00000000- 10325113) (Replaced By Items #16, 17, & 18)	1	
16	1036022	(10325114-) Bracket, Mtg, Actuator, Scb Head	1	
17	01685	(10325114-) Washer, Flat, 0.31 Ss	1	
18	08713	(10325114-) Nut, Hex, Lock, M8 X 1.25, NI, Ss	1	
19	01685	(00000000-) Washer, Flat, 0.31 Ss	1	
20	364441	(00000000-) Screw, Hex, M8 X 1.25 X 110, Ss	1	
21	43952	(00000000-) Washer, Lock, Int, 0.31, Ss	1	
22	1031370	(00000000-) Wire, 12 Awg X 250mm	1	
23	608322	(00000000-) Screw, Trs, M6 X 1.0 X 16, Phl, Ss	2	
24	1034731	(00000000-) Screw, Hex, M6 X 1.00 X 16, Sems, Ss	2	
∇	25	9002676	(00000000-) Kit, Cover, Disc- Head	1
▲	26	1024437	(00000000-) Insulation, Sound, Front	1

∇ ASSEMBLY

▲ INCLUDED IN ASSEMBLY

STANDARD PARTS

SCRUB HEAD GROUP, DISK 28 in / 700 mm



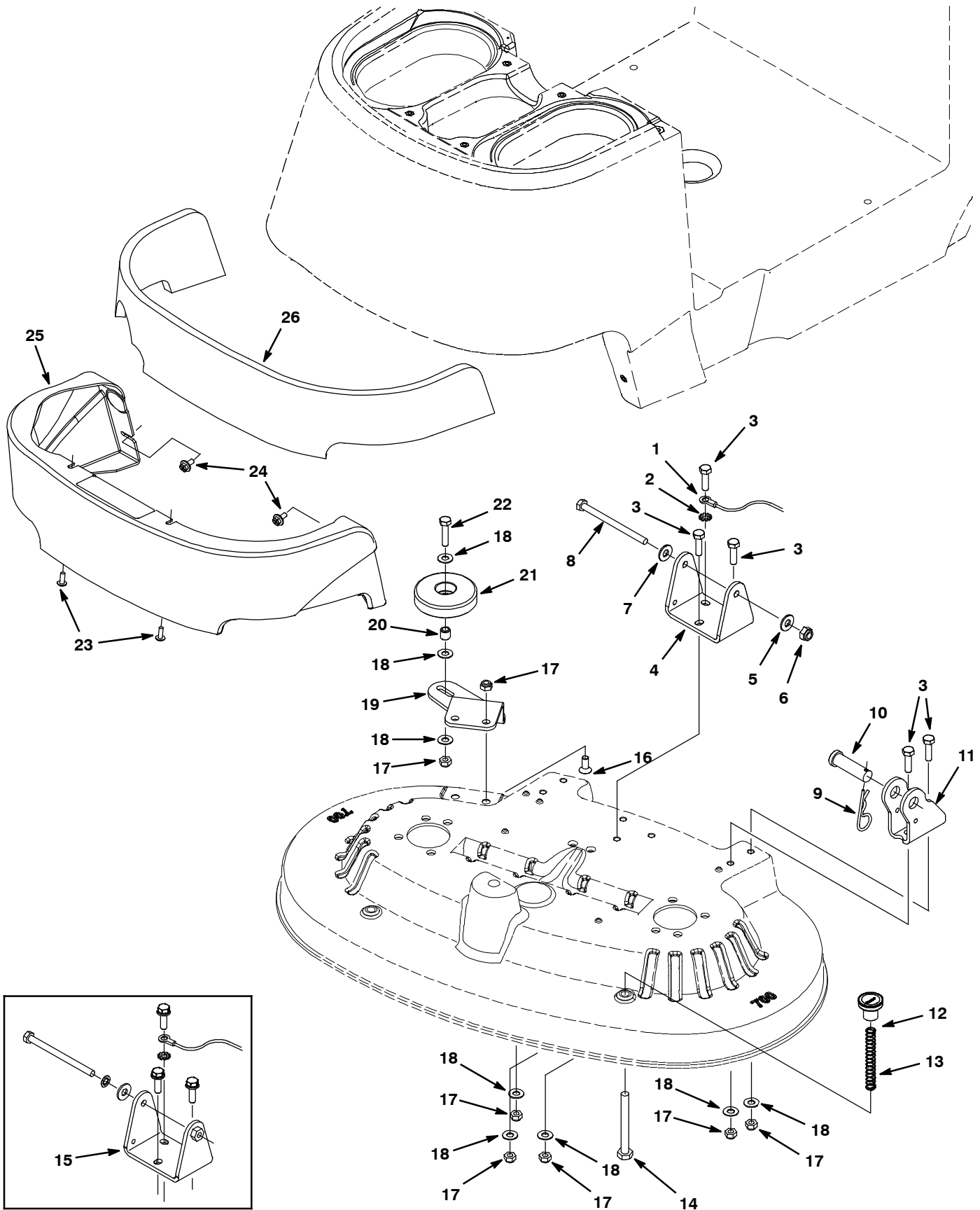
SCRUB HEAD GROUP, DISK 28 in / 700 mm

Ref.	Part No.	Serial Number	Description	Qty.
▽	1	1023067	(00000000-) Motor, Gearbox,24vdc, 220rpm, 0.75hp	2
▲	2	1031775	(00000000-) Brush, Brush- Motor, Afmkt	1
▲	3	1031681	(00000000-) Harness, Connector, Brush- Motor- Us	1
	4	1024321	(00000000-) Spacer, Rbr, Motor	2
	5	130773	(00000000-) Tie, Cable, Nyl, 11.0l, .14w, 3.0 Max. D	7
	6	606362	(00000000-) Hose 3/8ldX5/8OdX6.5 (611254)	2
	7	1022556	(00000000-) Fitting, Plstc, Tee, Bm06/Bm06/Bm08	1
	8	1022424	(00000000-) Stud, Adj, M16, Scrub Head	1
	9	763066	(00000000-) Nut, Hex, Jam, M16 X 2.0	1
	10	578769	(00000000-) Label, Moving Parts	2
	11	1023182	(00000000-) Housing, Casting, Head, 70cm, Mach	1
	12	1025160	(00000000-) Grommet, Isolator, 6b X 10od X 26.0fl	8
	13	386063	(00000000-) Washer, Flat, 0.25b 1.12d .12, Ss	8
	14	1025853	(00000000-) Screw, Set, M6 X 1.00 X 35, Ss, NI	8
	15	08712	(00000000-) Nut, Hex, Lock, M6 X 1.0, Ss, NI	8
	16	1022549	(00000000-) Spacer, Shaft, 17.15b, 25.0d, 3.0t	2
	17	9011850	(xxxxxxx-) Bumper, Head, 70cm, Bristle Skirt (Includes Mounting Hardware & Retaining Strap)	1
	18	1020234	(00000000- 10446231) Screw, Hex, M4 X 0.7 X 10, Ss	4
	19	41578	(00000000- 10446231) Washer, Flat, #06 Ss	4
	20	1023573	(00000000- 10446231) Strap, Retaining, Skirt (Replaced by 9011850)	1
	21	1014328	(00000000-) Key, Sq, 05mm X 05mm, 25l	2
	22	1072628	(00000000-) Screw, Hex, M8 X 1.25 X 25, Ss, Sems	2
	23	1017218	(00000000-) Washer, Flat, 0.32b 1.00d .12, Ss	2
	24	1071637	(10618021-) Hub, Drive, Brush, Disk, 17mmb	2
	24	1022550	(00000000- 10618020) Hub, Drive, Brush, Disk, 17mm (Replaced by 1071637)	2
	25	1053613	(10446232- xxxxxxxx) Bumper, Head, 70cm, Bristle Skirt (Replaced by 9011850)	1
	25	1023802	(00000000- 10446231) Bumper, Head, 70cm, Bristle Skirt, Assy (Replaced by 9011850)	1

▽ ASSEMBLY

▲ INCLUDED IN ASSEMBLY

SCRUB HEAD GROUP, DISK 28 in / 700 mm - CONT'D



SCRUB HEAD GROUP, DISK 28 in / 700 mm - CONT'D

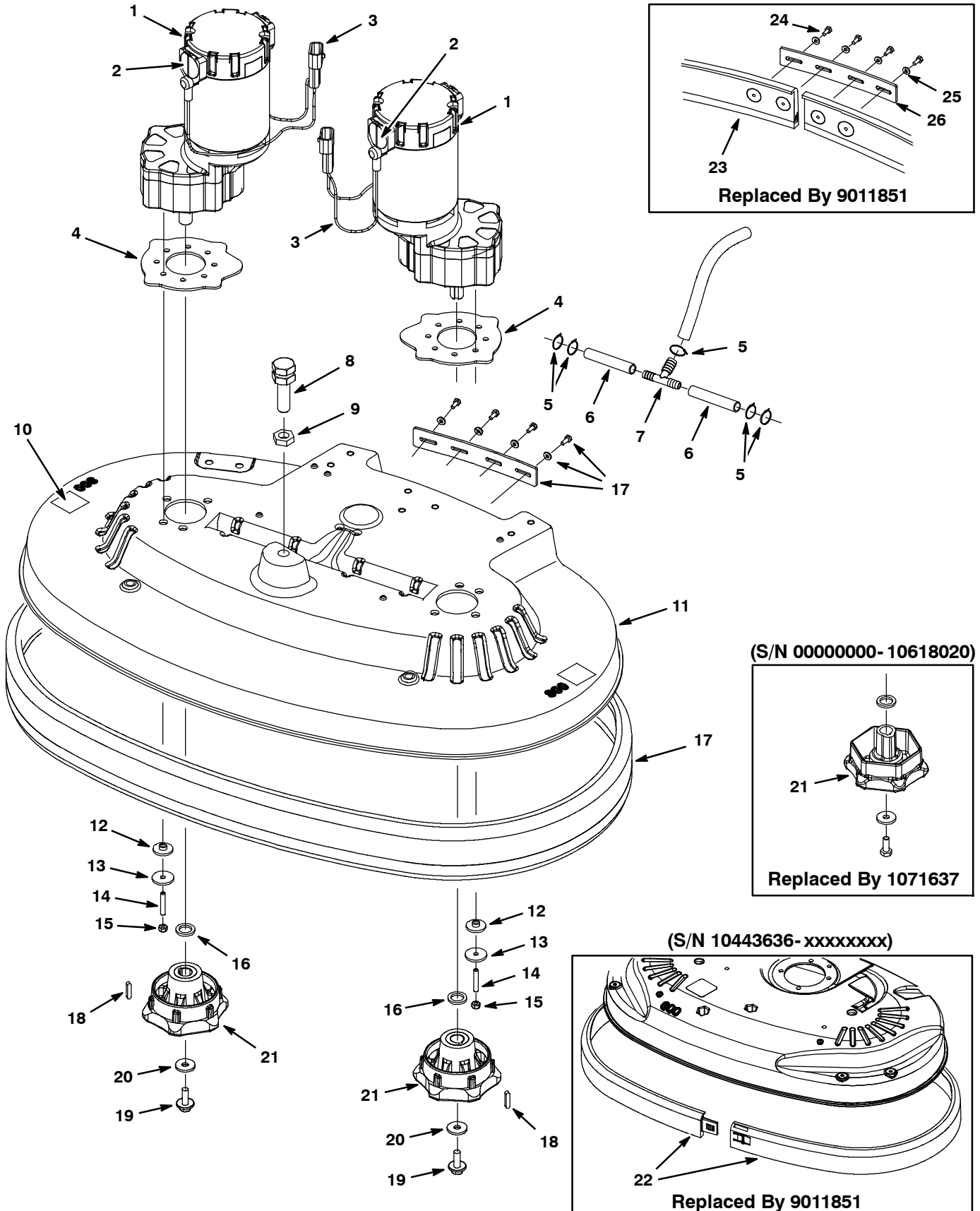
Ref.	Part No.	Serial Number	Description	Qty.	
1	1031370	(00000000-) Wire, 12 Awg X 250mm	1	
2	43952	(00000000-) Washer, Lock, Int, 0.31, Ss	1	
3	09011	(00000000-) Screw, Hex, M8 X 1.25 X 30, Ss	7	
4	1036022	(10325114-) Bracket, Mtg, Actuator, Scb Head	1	
5	01685	(10325114-) Washer, Flat, 0.31 Ss	1	
6	08713	(10325114-) Nut, Hex, Lock, M8 X 1.25, NI, Ss	1	
7	01685	(00000000-) Washer, Flat, 0.31 Ss	1	
8	364441	(00000000-) Screw, Hex, M8 X 1.25 X 110, Ss	1	
9	02942	(00000000-) Pin, Hair Cotter, 0.62 D .120 Wir	2	
10	222210	(00000000-) Pin, Clevis, 0.62 D X 2.12l	2	
11	1022227	(00000000-) Bracket, Link, Scrubhead	2	
12	1024179	(00000000-) Knob, Knurled, M10 Thread	2	
13	626081	(00000000-) Spring, Cmpr, 12.1d, 0.9w, 90.0l	2	
14	09746	(00000000-) Screw, Hex, M10 X 1.5 X 90, Ss	2	
15	N/A	(00000000- 10325113) (Replaced By Items #4, 5, & 6)	1	
16	79246	(00000000-) Screw, Flt, M8 X 1.25 X 20, Ss 18- 8	2	
17	08713	(00000000-) Nut, Hex, Lock, M8 X 1.25, NI, Ss	10	
18	140027	(00000000-) Washer, Flat, 0.35b 0.75d .04, Ss	10	
19	1023268	(00000000-) Bracket, Roller, Wall, Scb Head, 70cm	1	
20	222460	(00000000-) Sleeve, P/M, 0.496d 0.318b 0.50l 430ss	1	
21	1010560	(00000000-) Wheel, Bmpr, 80d X 25w, Non- Marking	1	
22	09023	(00000000-) Screw, Hex, M8 X 1.25 X 35, Ss, Fl	1	
23	608322	(00000000-) Screw, Trs, M6 X 1.0 X 16, Phl, Ss	2	
24	1034731	(00000000-) Screw, Hex, M6 X 1.00 X 16, Sems, Ss	2	
▽	25	9002676	(00000000-) Kit, Cover, Disc- Head	1
▲	26	1024437	(00000000-) Insulation, Sound, Front	1

▽ ASSEMBLY

▲ INCLUDED IN ASSEMBLY

STANDARD PARTS

SCRUB HEAD GROUP, DISK 32 in / 800 mm



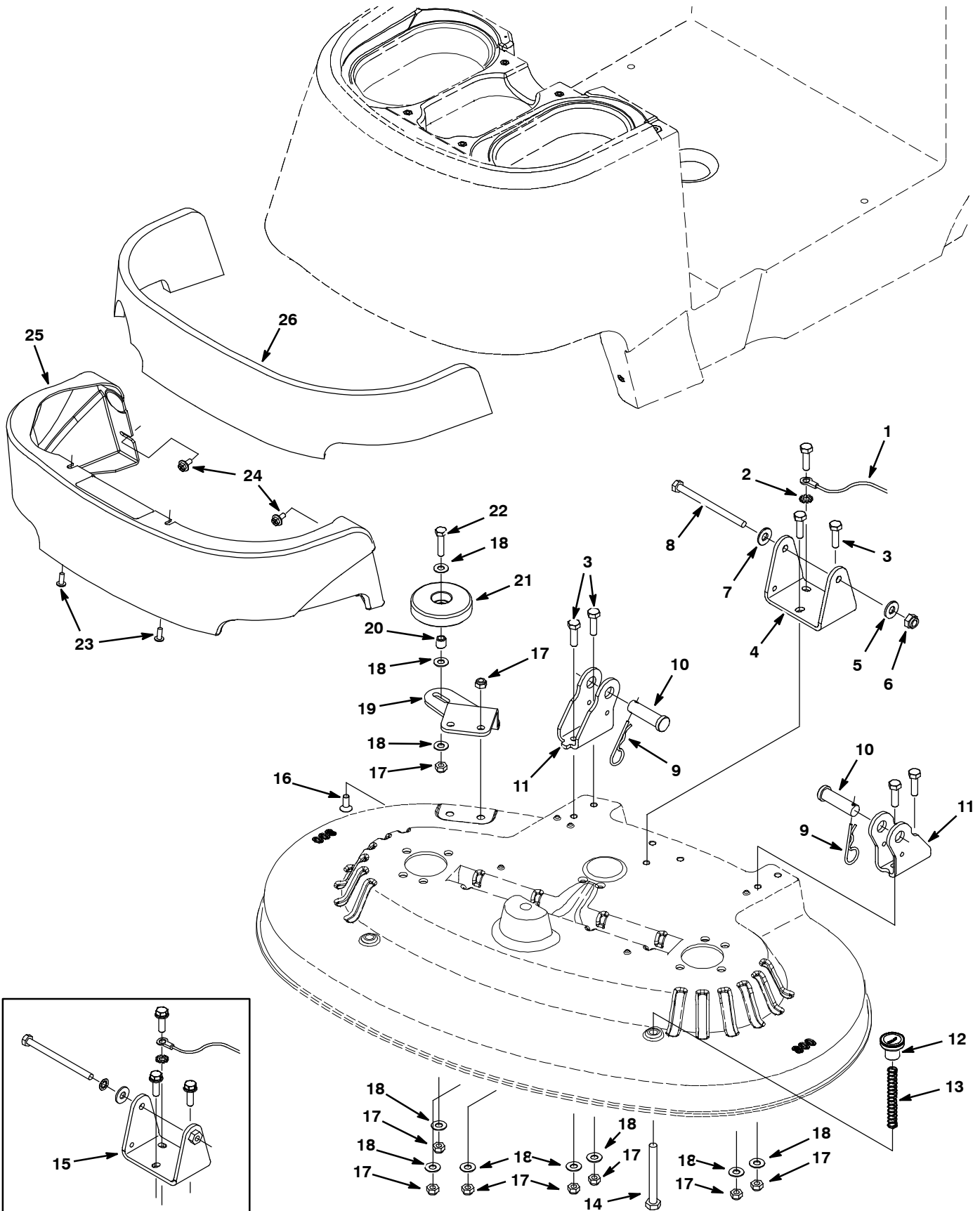
SCRUB HEAD GROUP, DISK 32 in / 800 mm

Ref.	Part No.	Serial Number	Description	Qty.
▽	1	1023067	(00000000-) Motor, Gearbox,24vdc, 220rpm, 0.75hp	2
▲	2	1031775	(00000000-) Brush, Brush- Motor, Afmkt	1
▲	3	1031681	(00000000-) Harness, Connector, Brush- Motor- Us	1
	4	1024321	(00000000-) Spacer, Rbr, Motor	2
	5	130773	(00000000-) Tie, Cable, Nyl, 11.0l, .14w, 3.0 Max. D	7
	6	606885	(00000000-) Hose 3/8idx5/8odx7.75 (611254)	2
	7	1022556	(00000000-) Fitting, Plstc, Tee, Bm06/Bm06/Bm08	1
	8	1022424	(00000000-) Stud, Adj, M16, Scrub Head	1
	9	763066	(00000000-) Nut, Hex, Jam, M16 X 2.0	1
	10	578769	(00000000-) Label, Moving Parts	2
	11	1023697	(00000000-) Housing, Casting, Head, 80cm, Mach	1
	12	1025160	(00000000-) Grommet, Isolator, 6b X 10od X 26.0fl	8
	13	386063	(00000000-) Washer, Flat, 0.25b 1.12d .12, Ss	8
	14	1025853	(00000000-) Screw, Set, M6 X 1.00 X 35, Ss, NI	8
	15	08712	(00000000-) Nut, Hex, Lock, M6 X 1.0, Ss, NI	8
	16	1022549	(00000000-) Spacer, Shaft, 17.15b, 25.0d, 3.0t	2
	17	9011851	(xxxxxxx-) Bumper, Head, 80cm, Bristle Skirt (Includes Mounting Hardware & Retaining Strap)	1
	18	1014328	(00000000-) Key, Sq, 05mm X 05mm, 25l	2
	19	1072628	(00000000-) Screw, Hex, M8 X 1.25 X 25, Ss, Sems	2
	20	1017218	(00000000-) Washer, Flat, 0.32b 1.00d .12, Ss	2
	21	1071637	(10618021-) Hub, Drive, Brush, Disk, 17mmb	2
	21	1022550	(00000000- 10618020) Hub, Drive, Brush, Disk, 17mm (Replaced by 1071637)	2
	22	1053618	(10423045- xxxxxxxx) Bumper, Head, 80cm, Bristle Skirt (Replaced by 9011851)	1
▽	23	1024941	(00000000- 10423044) Bumper Assy, Skirt, Scb Head, 80cm (Replaced by 9011851)	1
▲	24	1020234	(00000000- 10423044) Screw, Hex, M4 X 0.7 X 10, Ss	4
▲	25	41578	(00000000- 10423044) Washer, Flat, #06 Ss	4
▲	26	1023573	(00000000- 10423044) Strap, Retaining, Skirt (Replaced by 9011851)	1

▽ ASSEMBLY

▲ INCLUDED IN ASSEMBLY

SCRUB HEAD GROUP, DISK 32 in / 800 mm - CONT'D



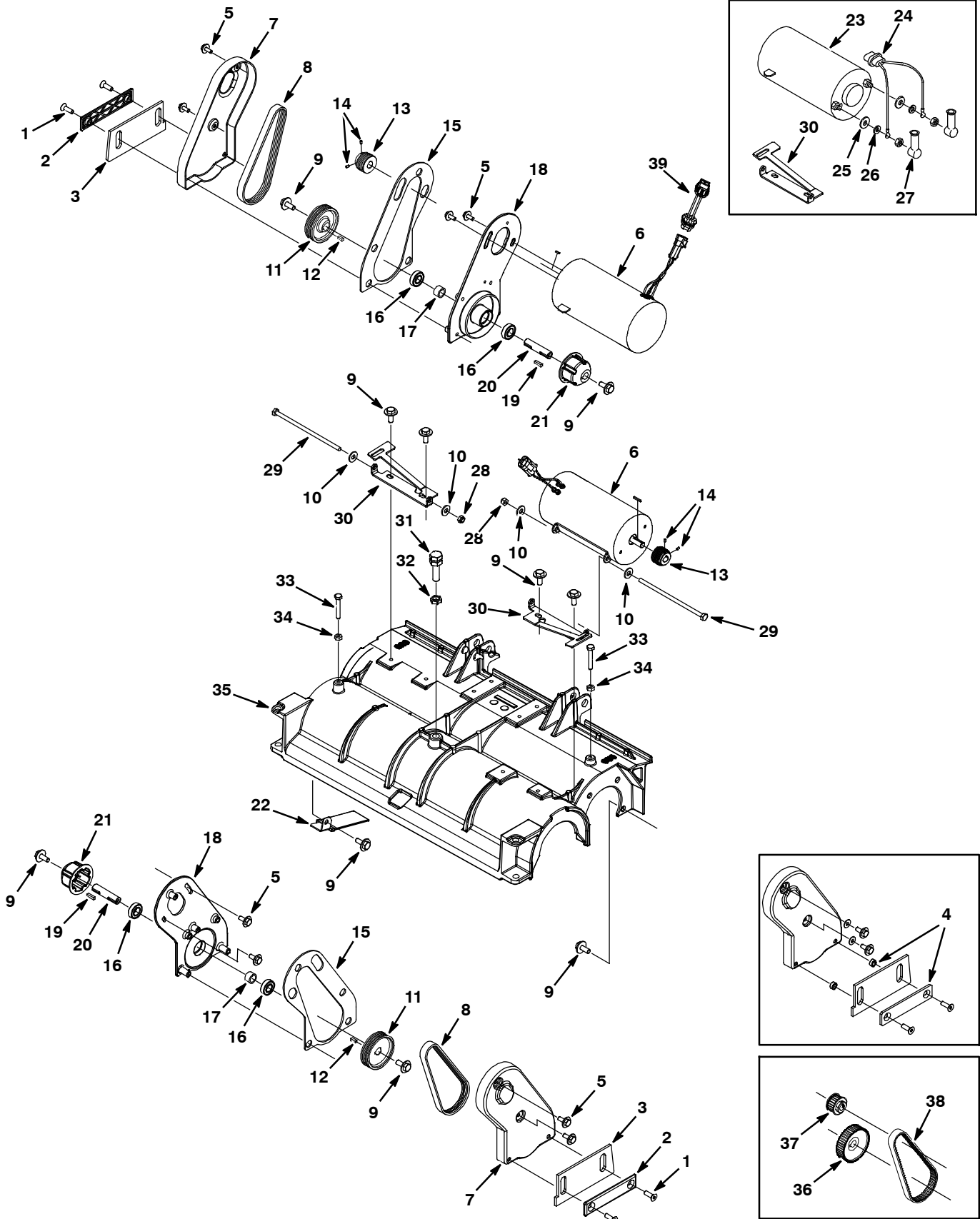
SCRUB HEAD GROUP, DISK 32 in / 800 mm - CONT'D

Ref.	Part No.	Serial Number	Description	Qty.	
1	1031370	(00000000-) Wire, 12 Awg X 250mm	1	
2	43952	(00000000-) Washer, Lock, Int, 0.31, Ss	1	
3	09011	(00000000-) Screw, Hex, M8 X 1.25 X 30, Ss	7	
4	1036022	(10325114-) Bracket, Mtg, Actuator, Scb Head	1	
5	01685	(10325114-) Washer, Flat, 0.38b 0.88d .08, Ss	1	
6	08713	(10325114-) Nut, Hex, Lock, M8 X 1.25, NI, Ss	1	
7	01685	(00000000-) Washer, Flat, 0.31 Ss	1	
8	364441	(00000000-) Screw, Hex, M8 X 1.25 X 110, Ss	1	
9	02942	(00000000-) Pin, Hair Cotter, 0.62 D .120 Wir	2	
10	222210	(00000000-) Pin, Clevis, 0.62 D X 2.12l	2	
11	1022227	(00000000-) Bracket, Link, Scrubhead	2	
12	1024179	(00000000-) Knob, Knurled, M10 Thread	2	
13	626081	(00000000-) Spring, Cmpr, 12.1d, 0.9w, 90.0l	2	
14	09746	(00000000-) Screw, Hex, M10 X 1.5 X 90, Ss	2	
15	N/A	(00000000- 10325113) (Replaced By Items #4, 5, & 6)	1	
16	79246	(00000000-) Screw, Flt, M8 X 1.25 X 20, Ss 18- 8	2	
17	08713	(00000000-) Nut, Hex, Lock, M8 X 1.25, NI, Ss	10	
18	140027	(00000000-) Washer, Flat, 0.35b 0.75d .04, Ss	10	
19	1023268	(00000000-) Bracket, Roller, Wall, Scb Head, 70cm	1	
20	222460	(00000000-) Sleeve, P/M, 0.496d 0.318b 0.50l 430ss	1	
21	1010560	(00000000-) Wheel, Bmpr, 80d X 25w, Non- Marking	1	
22	09023	(00000000-) Screw, Hex, M8 X 1.25 X 35, Ss, Fl	1	
23	608322	(00000000-) Screw, Trs, M6 X 1.0 X 16, Phl, Ss	2	
24	1034731	(00000000-) Screw, Hex, M6 X 1.00 X 16, Sems, Ss	2	
▽	25	9002676	(00000000-) Kit, Cover, Disc- Head	1
▲	26	1024437	(00000000-) Insulation, Sound, Front	1

▽ ASSEMBLY |

▲ INCLUDED IN ASSEMBLY

SCRUB HEAD GROUP, CYLINDRICAL 26 in / 650 mm



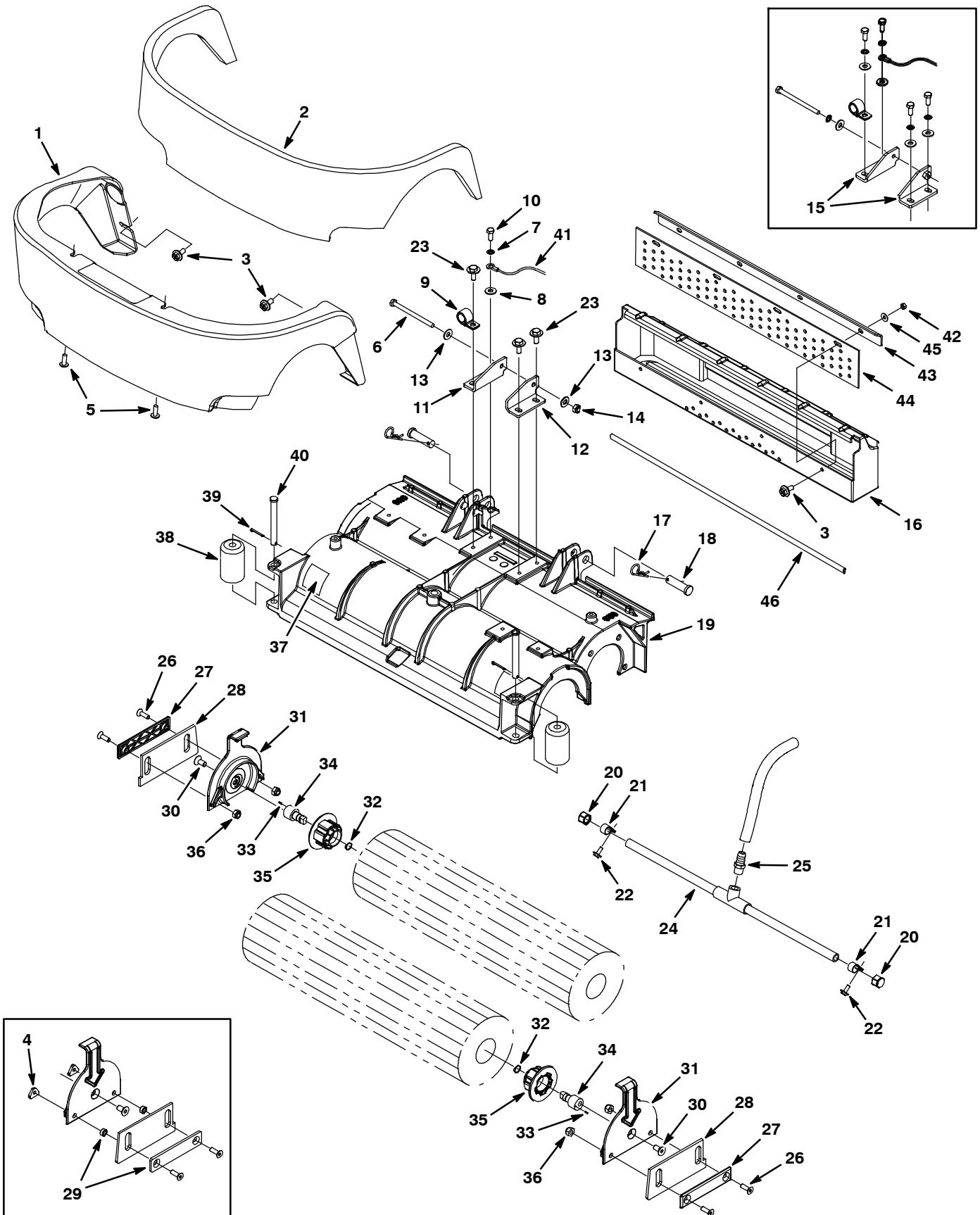
SCRUB HEAD GROUP, CYLINDRICAL 26 in / 650 mm

Ref.	Part No.	Serial Number	Description	Qty.	
1	222692	(00000000-) Screw, Flt, M8 X1.25 X 25, Ss, 18- 8, NI	4	
2	1036245	(10383861-) Retainer, Blade, Sqge, Side, Blk, Nyl	2	
3	1026292	(00000000-) Skirt, Side, Scb, Cyl	2	
4	N/A	(00000000- 10383860) (Replaced By Item #2)	4	
5	1034731	(00000000-) Screw, Hex, M6 X 1.00 X 16, Sems, Ss	8	
▽	6	1042228	(10419662-) Motor, Ele, 24vdc 1500rpm 0.75hp 23.0a	2
▲	1049739	(10419662-) Brush Kit, Carbon, Motor, Replmt [4pcs]	2	
7	1022807	(00000000-) Cover, Belt	2	
8	1035888	(10338658-) Belt, Drive, 6Grv, 508l X 14w, [6Pj]	2	
9	1020341	(00000000-) Screw, Hex, M8 X 1.25 X 20, Sems, Ss	16	
10	01685	(00000000-) Washer, Flat, 0.31 Ss	4	
11	1035173	(10338658-) Sheave, 06Grv, 2.96pd, 0.59b, Alm [Pj]	2	
12	00961	(00000000-) Key, Sq, 0.19 X 0.19, 0.50l	2	
13	1033528	(10338658-) Sheave, 06Grv, 1.33pd, 0.50b, Alm [Pj]	2	
14	222818	(00000000-) Screw, Set, #08- 32 X 0.25, NI	4	
15	1022401	(00000000-) Gasket, Cover, Belt	2	
16	41360	(00000000-) Bearing, Ball, 0.59b 1.26d 0.35w [2seal]	4	
17	1002077	(00000000-) Spacer, 0.59b 0.81d 0.50l	2	
18	1021036	(00000000-) Bracket, Motor, Machined	2	
19	00911	(00000000-) Key, Sq, 0.19 X 0.19, 0.75l	2	
20	1021050	(00000000-) Shaft, Drive	2	
21	378805	(00000000-) Plug, Drive, Brush, Mach	2	
22	1029358	(00000000-) Deflector, Water, Cyl Head	1	
▽	23	604980	(00000000- 10419661) Motor, Ele, 24vdc 1500rpm 0.75hp 23.0a (Replaced By 1050369)	2	
▲	190152	(00000000- 10419661)	Brush, Carbon [Pk=4]	2	
▲	605305	(00000000- 10419661)	Spring, Motor, F/ Carbon Brush	8	
24	606795	(00000000- 10419661)	Harness Motor Cyl- Brush	2	
25	140027	(00000000- 10419661)	Washer, Flat, 0.35b 0.75d .04, Ss	4	
26	43952	(00000000- 10419661)	Washer, Lock, Int, 0.31 Ss	4	
27	608964	(00000000- 10419661)	Boot, 90deg .27id 0.64id 1.79l, Blk	4	
28	08713	(00000000-) Nut, Hex, Lock, M8 X 1.25, NI, Ss	2	
29	1025026	(00000000-) Screw, Hex, M8 X 1.25 X 180, Ss	2	
30	1044386	(00000000-) Bracket, Mtg, Motor	2	
31	1022424	(00000000-) Stud, Adj, M16, Scrub Head	1	
32	763066	(00000000-) Nut, Hex, Jam, M16 X 2.0	1	
33	578717	(00000000-) Screw, Hex, M8 X 1.25 X 50, Ss	2	
34	07786	(00000000-) Nut, Hex, Std, M8 X 1.25, Ss	2	
35	1022624	(00000000-) Housing, Head, 65cm Cyl, Mach	1	
36	1024636	(00000000- 10338657)	Sprocket, 48t, 5p V2	2	
37	375195	(00000000- 10338657)	Sprocket, Timing, 22tooth, 0.50b, [Gt/2]	2	
38	377500	(00000000- 10338657)	Belt,Synchronous, 500l,15mm [05p,Plychn]	2	
39	1052895	(10419662-) Harness, Adapter, Motor [T7/T5]	1	

▽ ASSEMBLY

▲ INCLUDED IN ASSEMBLY

SCRUB HEAD GROUP, CYLINDRICAL 26 in / 650 mm - CONT'D



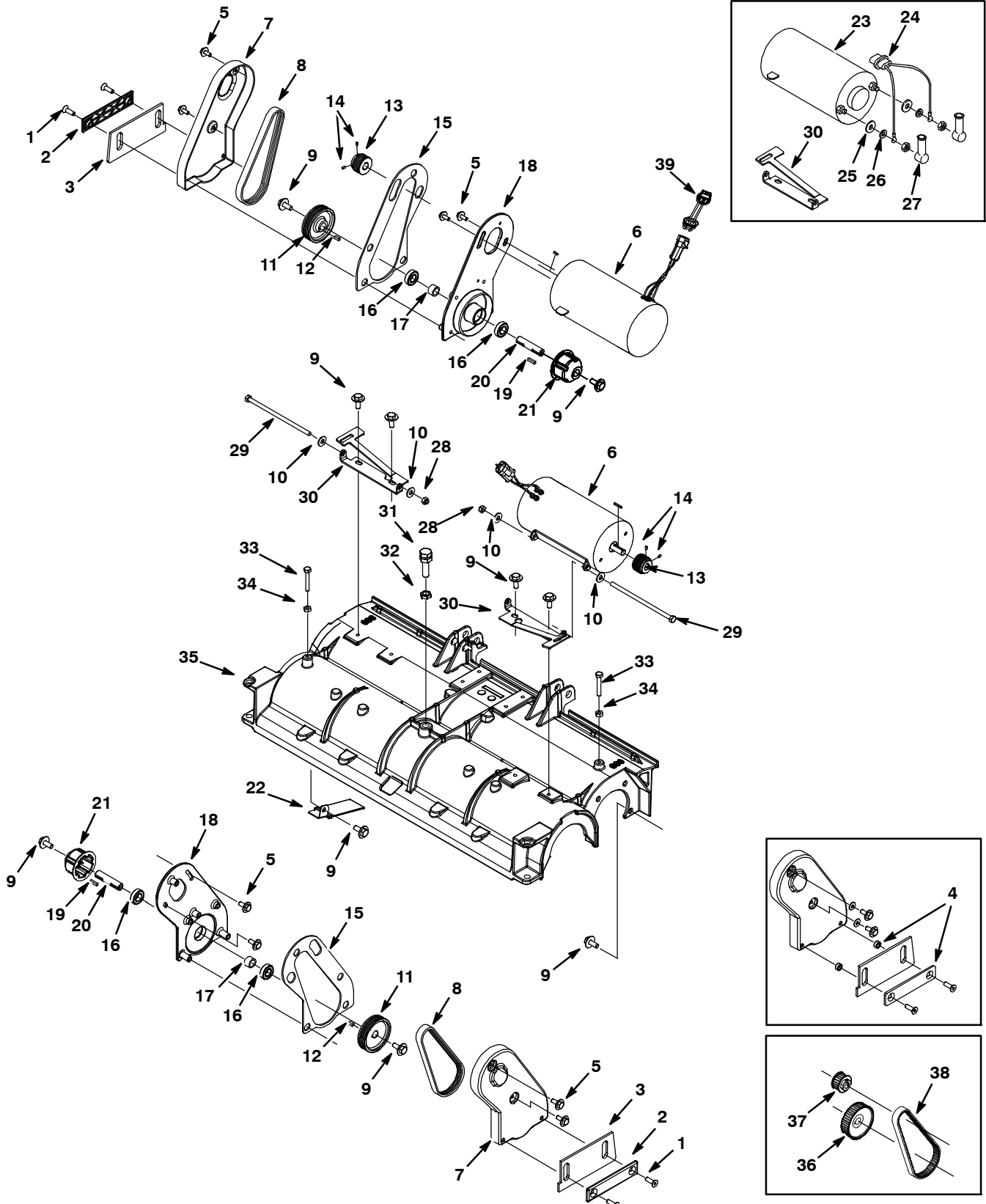
SCRUB HEAD GROUP, CYLINDRICAL 26 in / 650 mm - CONT'D

Ref.	Part No.	Serial Number	Description	Qty.
▽	1	9002677	(00000000-) Kit, Cover, Cyl- Head	1
▲	2	1024940	(00000000-) Insulation, Sound, Front, Cyl Head	1
	3	1034731	(00000000-) Screw, Hex, M6 X 1.00 X 16, Sems, Ss	6
	4	N/A	(00000000- 10383860) (Replaced By Item #32)	4
	5	608322	(00000000-) Screw, Trs, M6 X 1.0 X 16, Phl, Ss	2
	6	364441	(00000000-) Screw, Hex, M8 X 1.25 X 110, Ss	1
	7	43952	(00000000-) Washer, Lock, Int, 0.31 Ss	1
	8	01685	(00000000-) Washer, Flat, 0.31 Ss	1
	9	140314	(00000000-) Clamp, Cable, Stl, 0.75d X 0.75w, 1h, Yl	1
	10	12273	(00000000-) Screw, Hex, M8 X 1.25 X 20, Ss, NI	1
	11	1036032	(10330480-) Bracket, Lift, Head, Rh	1
	12	1036025	(10330480-) Bracket, Lift, Head, Lh	1
	13	01685	(00000000-) Washer, Flat, 0.31 Ss	1
	14	08713	(10330480-) Nut, Hex, Lock, M8 X 1.25, NI, Ss	1
	15	N/A	(00000000- 10330479) (Replaced By Items #11, 12, 13, & 14)	1
	16	1023465	(00000000-) Hopper, 65cm, Rm- Blk	1
	17	02942	(00000000-) Pin, Hair Cotter, 0.62 D .120 Wir	2
	18	222210	(00000000-) Pin, Clevis, 0.62 D X 2.12l	2
	19	1022624	(00000000-) Housing, Head, 65cm Cyl, Mach	1
	20	1025580	(00000000-) Cap, Plstc, Pf12	2
	21	33584	(00000000-) Clamp, Cable, Stl, 0.63d X 0.50w, 1h	2
	22	1034731	(00000000-) Screw, Hex, M6 X 1.00 X 16, Sems, Ss	2
	23	1020341	(00000000-) Screw, Hex, M8 X 1.25 X 20, Sems, Ss	3
	24	1046049	(00000000-) Tube Assy, Bar, Spray	1
	25	64743	(00000000-) Fitting, Plstc, Str, Bm08/Pm06	1
	26	222692	(00000000-) Screw, Flt, M8 X1.25 X 25, Ss, 18- 8, NI	4
	27	1036245	(10383861-) Retainer, Blade, Sqge, Side, Blk, Nyl	2
	28	1026292	(00000000-) Skirt, Side, Scb, Cyl	2
	29	N/A	(00000000- 10383860) (Replaced By Item #27)	4
▽		1057922	(00000000-) Door Assy, Cyl Head	2
▲	30	390996	(00000000-) Screw, Flt, M10 X 1.5 X 20, 10.9, NI	1
▲	31	1044145	(00000000-) Door, Brush	1
▲	32	01516	(00000000-) Ring, Retaining, Ext, 0.59d, Basic	1
▲	33	222184	(00000000-) Pin, Roll, .094 D X 0.25l, .094/.097	1
▲	34	222177	(00000000-) Shaft, Idler Plug	1
▲	35	1057629	(00000000-) Plug, Idler, Brush [Sgl Brg]	1
	36	08713	(10383861-) Nut, Hex, Lock, M8 X 1.25, NI, Ss	4
	37	578769	(00000000-) Label, Moving Parts	2
	38	222178	(00000000-) Roller, Pyu, 1.88d 0.53b 3.05l	2
	39	578421	(00000000-) Pin, Cotter, .125d X 1.00l	2
	40	222196	(00000000-) Pin, Clevis, 0.50 D X 4.25l	2
	41	1031370	(00000000-) Wire, 12 Awg X 250mm	1
	42	07785	(00000000-) Nut, Hex, Std, M6 X 1.0, A2, Ss	4
	43	1023536	(00000000-) Lip, Tray, Debris, Scrubhead, 65cm	1
	44	1025272	(00000000-) Skirt, Tray, Debris, 65cm	1
	45	01684	(00000000-) Washer, Flat, 0.27b 0.69d .05, Ss	4
	46	374006	(00000000-) Channel, Nyl, 0.5h 0.27w 29.0l	1

▽ ASSEMBLY

▲ INCLUDED IN ASSEMBLY

SCRUB HEAD GROUP, CYLINDRICAL 32 in / 800 mm



SCRUB HEAD GROUP, CYLINDRICAL 32 in / 800 mm

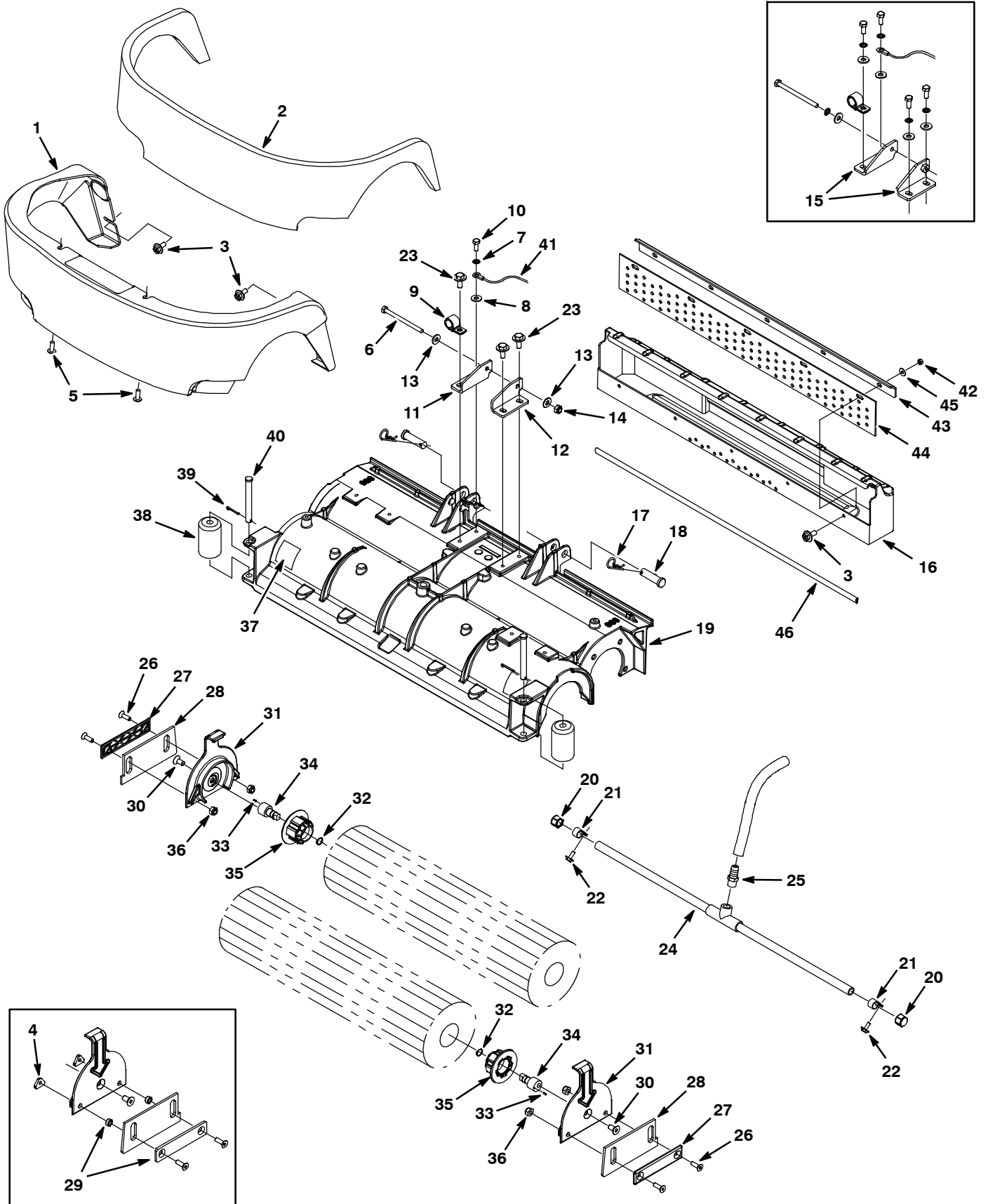
Ref.	Part No.	Serial Number	Description	Qty.	
1	222692	(00000000-) Screw, Flt, M8 X1.25 X 25, Ss, 18- 8, NI	4	
2	1036245	(10353861-) Retainer, Blade, Sqge, Side, Blk, Nyl	2	
3	1026292	(00000000-) Skirt, Side, Scb, Cyl	2	
4	N/A	(00000000- 10353860) (Replaced By Item #2)	4	
5	1034731	(00000000-) Screw, Hex, M6 X 1.00 X 16, Sems, Ss	8	
▽	6	1042228	(10419662-) Motor, Ele, 24vdc 1500rpm 0.75hp 23.0a	2
▲		1049739	(10419662-) Brush Kit, Carbon, Motor, Replmt [4pcs]	2
7	1022807	(00000000-) Cover, Belt	2	
8	1035888	(10338658-) Belt, Drive, 6Grv, 508l X 14w, [6Pj]	2	
9	1020341	(00000000-) Screw, Hex, M8 X 1.25 X 20, Sems, Ss	16	
10	01685	(00000000-) Washer, Flat, 0.31 Ss	4	
11	1035173	(10338658-) Sheave, 06Grv, 2.96pd, 0.59b, Alm [Pj]	2	
12	00961	(00000000-) Key, Sq, 0.19 X 0.19, 0.50l	2	
13	1033528	(10338658-) Sheave, 06Grv, 1.33pd, 0.50b, Alm [Pj]	2	
14	222818	(00000000-) Screw, Set, #08- 32 X 0.25, NI	4	
15	1022401	(00000000-) Gasket, Cover, Belt	2	
16	41360	(00000000-) Bearing, Ball, 0.59b 1.26d 0.35w [2seal]	4	
17	1002077	(00000000-) Spacer, 0.59b 0.81d 0.50l	2	
18	1021036	(00000000-) Bracket, Motor, Machined	2	
19	00911	(00000000-) Key, Sq, 0.19 X 0.19, 0.75l	2	
20	1021050	(00000000-) Shaft, Drive	2	
21	378805	(00000000-) Plug, Drive, Brush, Mach	2	
22	1029358	(00000000-) Deflector, Water, Cyl Head	1	
▽	23	604980	(00000000- 10419661) Motor, Ele, 24vdc 1500rpm 0.75hp 23.0a (Replaced By 1050369)	2
▲		190152	(00000000- 10419661) Brush, Carbon [Pk=4]	2
▲		605305	(00000000- 10419661) Spring, Motor, F/ Carbon Brush	8
24	606795	(00000000- 10419661) Harness Motor Cyl- Brush	2	
25	140027	(00000000- 10419661) Washer, Flat, 0.35b 0.75d .04, Ss	4	
26	43952	(00000000- 10419661) Washer, Lock, Int, 0.31 Ss	4	
27	608964	(00000000- 10419661) Boot, 90deg .27id 0.64id 1.79l, Blk	4	
28	08713	(00000000-) Nut, Hex, Lock, M8 X 1.25, NI, Ss	2	
29	1025026	(00000000-) Screw, Hex, M8 X 1.25 X 180, Ss	2	
30	1044386	(00000000-) Bracket, Mtg, Motor	2	
31	1044386	(00000000-) Stud, Adj, M16, Scrub Head	1	
32	763066	(00000000-) Nut, Hex, Jam, M16 X 2.0	1	
33	578717	(00000000-) Screw, Hex, M8 X 1.25 X 50, Ss	2	
34	07786	(00000000-) Nut, Hex, Std, M8 X 1.25, Ss	2	
35	1025039	(00000000-) Housing, Head, 80cm Cyl, Mach	1	
36	1024636	(00000000- 10338657) Sprocket, 48t, 5p V2	2	
37	375195	(00000000- 10338657) Sprocket, Timing, 22tooth, 0.50b, [Gt/2]	2	
38	377500	(00000000- 10338657) Belt,Synchronous, 500l,15mm [05p,Plychn]	2	
39	1052895	(10409662-) Harness, Adapter, Motor [T7/T5]	1	

▽ ASSEMBLY

▲ INCLUDED IN ASSEMBLY

STANDARD PARTS

SCRUB HEAD GROUP, CYLINDRICAL 32 in / 800 mm - CONT'D



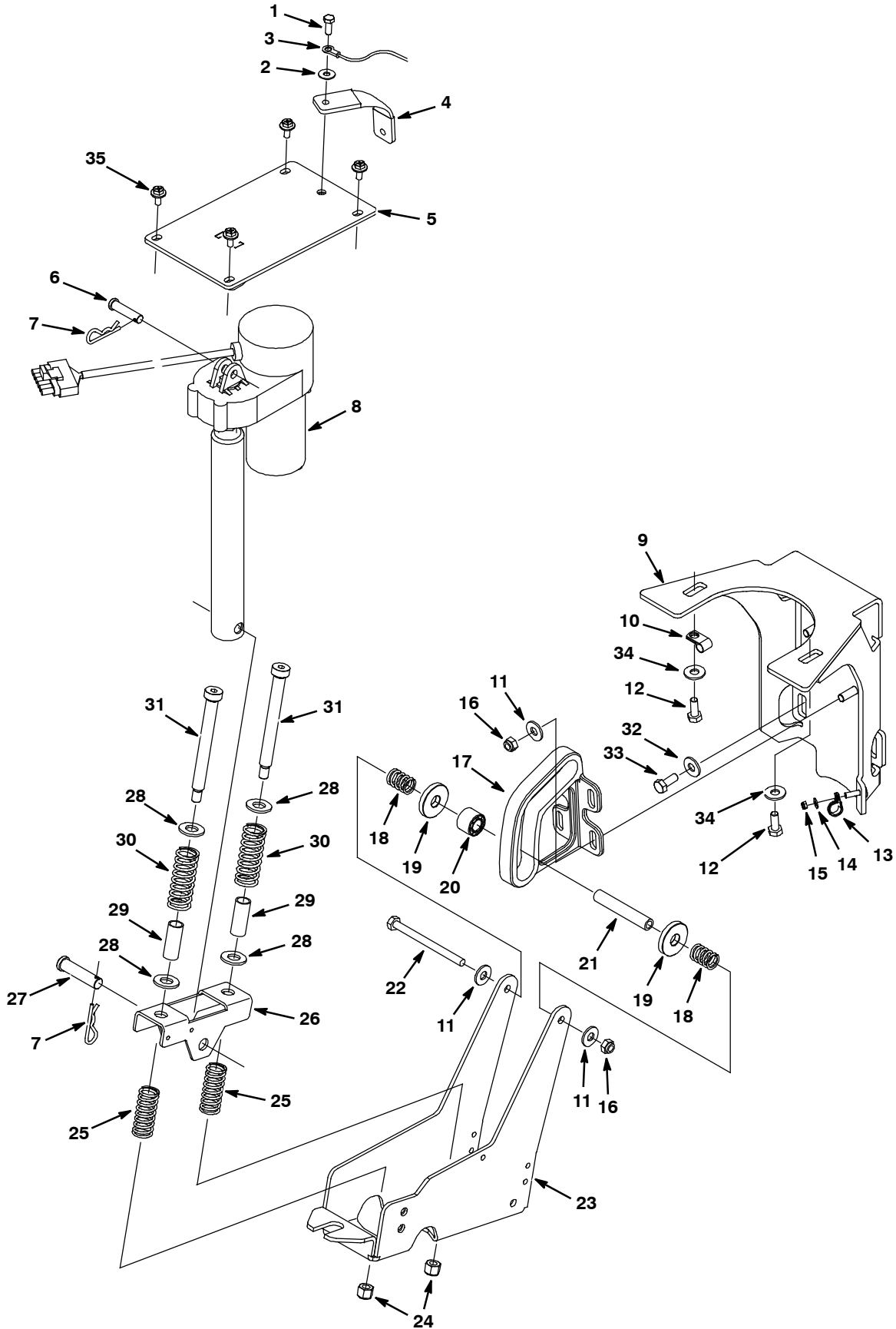
SCRUB HEAD GROUP, CYLINDRICAL 32 in / 800 mm - CONT'D

Ref.	Part No.	Serial Number	Description	Qty.
▽	1	9002677	(00000000-) Kit, Cover, Cyl- Head	1
▲	2	1024940	(00000000-) Insulation, Sound, Front, Cyl Head	1
	3	1034731	(00000000-) Screw, Hex, M6 X 1.00 X 16, Sems, Ss	7
	4	N/A	(00000000- 10353860) (Replaced By Item #32)	4
	5	608322	(00000000-) Screw, Trs, M6 X 1.0 X 16, Phl, Ss	2
	6	364441	(00000000-) Screw, Hex, M8 X 1.25 X 110, Ss	1
	7	43952	(00000000-) Washer, Lock, Int, 0.31 Ss	1
	8	01685	(00000000-) Washer, Flat, 0.31 Ss	1
	9	140314	(00000000-) Clamp, Cable, Stl, 0.75d X 0.75w, 1h, Yl	1
	10	12273	(00000000-) Screw, Hex, M8 X 1.25 X 20, Ss, NI	1
	11	1036032	(10330480-) Bracket, Lift, Head, Rh	1
	12	1036025	(10330480-) Bracket, Lift, Head, Lh	1
	13	01685	(10330480-) Washer, Flat, 0.38b 0.88d .08, Ss	1
	14	08713	(10330480-) Nut, Hex, Lock, M8 X 1.25, NI, Ss	1
	15	N/A	(00000000- 10330479) (Replaced By Items #11, 12, 13, & 14)	1
	16	1025127	(00000000-) Hopper, 80cm [Rm]	1
	17	02942	(00000000-) Pin, Hair Cotter, 0.62 D .120 Wir	2
	18	222210	(00000000-) Pin, Clevis, 0.62 D X 2.12l	2
	19	1025039	(00000000-) Housing, Head, 80cm Cyl, Mach	1
	20	1025580	(00000000-) Cap, Plstc, Pf12	2
	21	33584	(00000000-) Clamp, Cable, Stl, 0.63d X 0.50w, 1h	2
	22	1034731	(00000000-) Screw, Hex, M6 X 1.00 X 16, Sems, Ss	2
	23	1020341	(00000000-) Screw, Hex, M8 X 1.25 X 20, Sems, Ss	3
	24	1025276	(00000000-) Tube Assy, Bar, Spray [85cm]	1
	25	64743	(00000000-) Fitting, Plstc, Str, Bm08/Pm06	1
	26	222692	(00000000-) Screw, Flt, M8 X1.25 X 25, Ss, 18- 8, NI	4
	27	1036245	(10353861-) Retainer, Blade, Sqge, Side, Blk, Nyl	2
	28	1026292	(00000000-) Skirt, Side, Scb, Cyl	2
	29	N/A	(00000000- 10353860) (Replaced By Item #27)	4
▽		1057922	(00000000-) Door Assy, Cyl Head	2
▲	30	390996	(00000000-) Screw, Flt, M10 X 1.5 X 20, 10.9, NI	1
▲	31	1044145	(00000000-) Door, Brush	1
▲	32	01516	(00000000-) Ring, Retaining, Ext, 0.59d, Basic	1
▲	33	222184	(00000000-) Pin, Roll, .094 D X 0.25l, .094/.097	1
▲	34	222177	(00000000-) Shaft, Idler Plug	1
▲	35	1057629	(00000000-) Plug, Idler, Brush [Sgl Brg]	1
	36	08713	(10383861-) Nut, Hex, Lock, M8 X 1.25, NI, Ss	4
	37	578769	(00000000-) Label, Moving Parts	2
	38	222178	(00000000-) Roller, Pyu, 1.88d 0.53b 3.05l	2
	39	578421	(00000000-) Pin, Cotter, .125d X 1.00l	2
	40	222196	(00000000-) Pin, Clevis, 0.50 D X 4.25l	2
	41	1031370	(00000000-) Wire, 12 Awg X 250mm	1
	42	07785	(00000000-) Nut, Hex, Std, M6 X 1.0, A2, Ss	5
	43	1025150	(00000000-) Lip, Tray, Debris, Scrubhead, 80cm	1
	44	1025273	(00000000-) Skirt, Tray, Debris, 80cm	1
	45	01684	(00000000-) Washer, Flat, 0.25 Ss	4
	46	374007	(00000000-) Channel, .18, 0.3w 0.5 33.0l	1

▽ ASSEMBLY

▲ INCLUDED IN ASSEMBLY

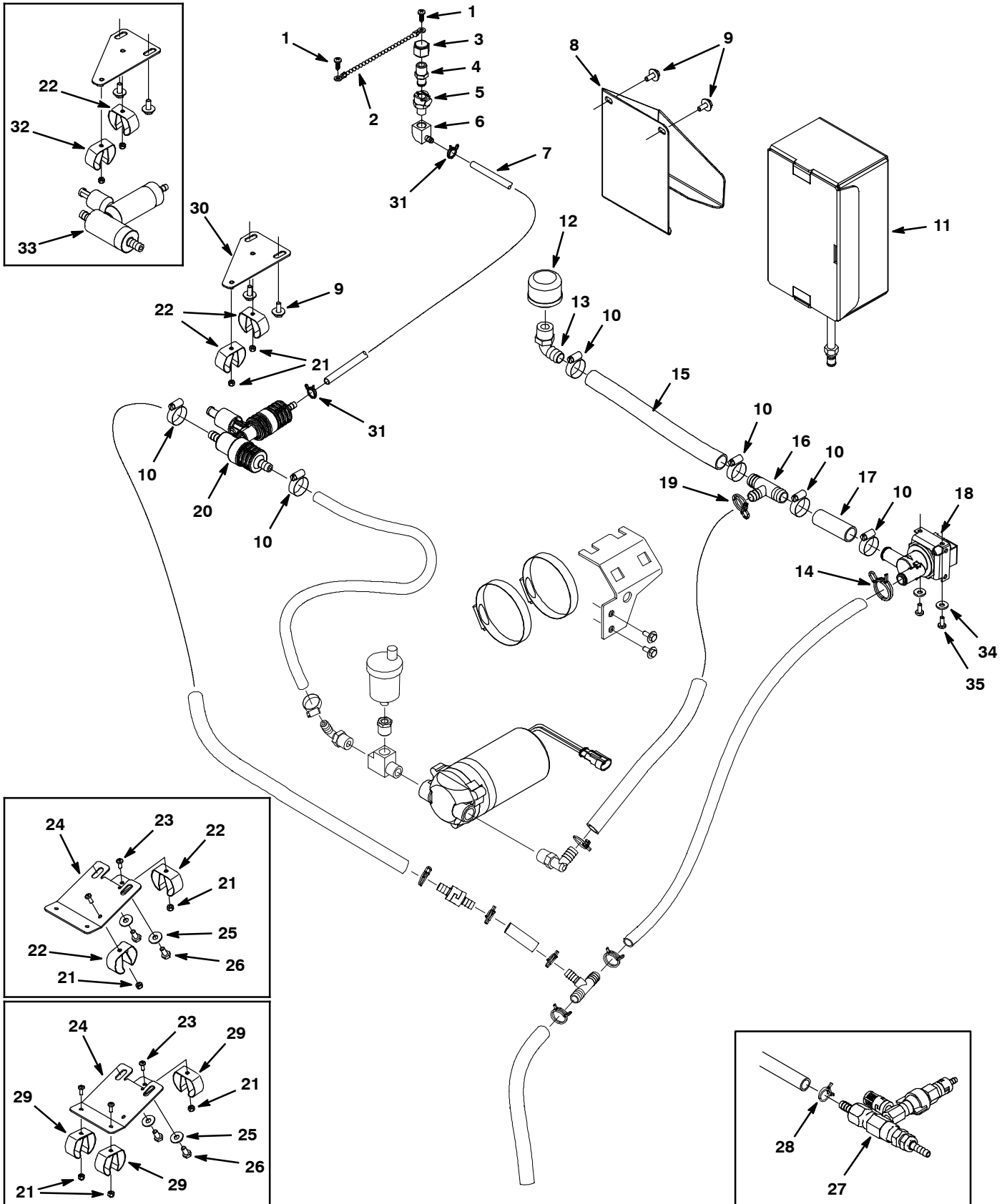
SCRUBHEAD LIFT GROUP



SCRUBHEAD LIFT GROUP

Ref.	Part No.	Serial Number	Description	Qty.
1	11329	(00000000-) Screw, Hex, M6 X 1.0 X 16, Ss, NI	1
2	01684	(00000000-) Washer, Flat, 0.25 Ss	1
3	1029310	(00000000-) Harness, Ground, 12 Awg	1
4	1029051	(00000000-) Strap, Static, Controller	1
5	1022913	(00000000-) Bracket Wldt, Actuator, Upper	1
6	29558	(00000000-) Pin, Clevis, 0.37 D X 1.50l	1
7	140626	(00000000-) Pin, Hair Cotter, 0.25 D .125 Wir	2
8	1023035	(00000000-) Actuator, 24vdc, 6.0 Strk, 600lb	1
9	1049367	(00000000-) Bracket, Sppt, Guide, Rlr	1
10	40678	(00000000-) Clamp, Cable, Stl, 0.44d X 0.62w, 1h	1
11	01685	(00000000-) Washer, Flat, 0.31 Ss	6
12	12273	(00000000-) Screw, Hex, M8 X 1.25 X 20, Ss, NI	2
13	33584	(00000000-) Clamp, Cable, Stl, 0.63d X 0.50w, 1hole	1
14	01683	(00000000-) Washer, Flat, #10 Ss	1
15	09739	(00000000-) Nut, Hex, Lock, M5 X 0.8, NI, Ss	1
16	08713	(00000000-) Nut, Hex, Lock, M8 X 1.25, NI, Ss	5
17	1023592	(00000000-) Bracket, Guide, Rlr, Head Lift, Brz [T5]	1
18	607920	(00000000-) Spring, Cmpr, 18.3d, 2.4w, 25.4l Mw	2
19	607568	(00000000-) Washer, P/M, 1.500d, 0.500b 0.25l Bnz	2
20	1023658	(00000000-) Roller, Linkage, Head Lift	1
21	1023653	(00000000-) Shaft, Rlr, Head- Lift	1
22	386299	(00000000-) Screw, Hex, M8 X 1.25 X 100, Ss	1
23	1024911	(00000000-) Bracket, Roller, Scrubhead, Sheet Metal	1
24	59156	(00000000-) Nut, Hex, Lock, .38- 16, NI, Ss	2
25	63185	(00000000-) Spring, Cmpr, 0.85od .09wir 2.0l	2
26	1023575	(00000000-) Bracket, Spring, Down Press	1
27	51534	(00000000-) Pin, Clevis, 0.50 D X 2.00l	1
28	32486	(00000000-) Washer, Flat, 0.50 Sae	4
29	1024969	(00000000-) Sleeve, P/M, 0.629d 09.5	2
30	45261	(00000000-) Spring, Cmpr, 0.97od .11wir 2.5l	2
31	45960	(00000000-) Bolt, Shld, .50d X 4.25, .38- 16	2
32	1016331	(00000000-) Washer, Flat, 0.34b 1.25d .11, Ss	2
33	12333	(00000000-) Screw, Hex, M8 X 1.25 X 25, Ss, NI	2
34	69461	(00000000-) Washer, Flat, 0.38b 0.88d .12, Stl, Pl	2
35	1034731	(00000000-) Screw, Hex, M6 X 1.00 X 16, Sems, Ss	4

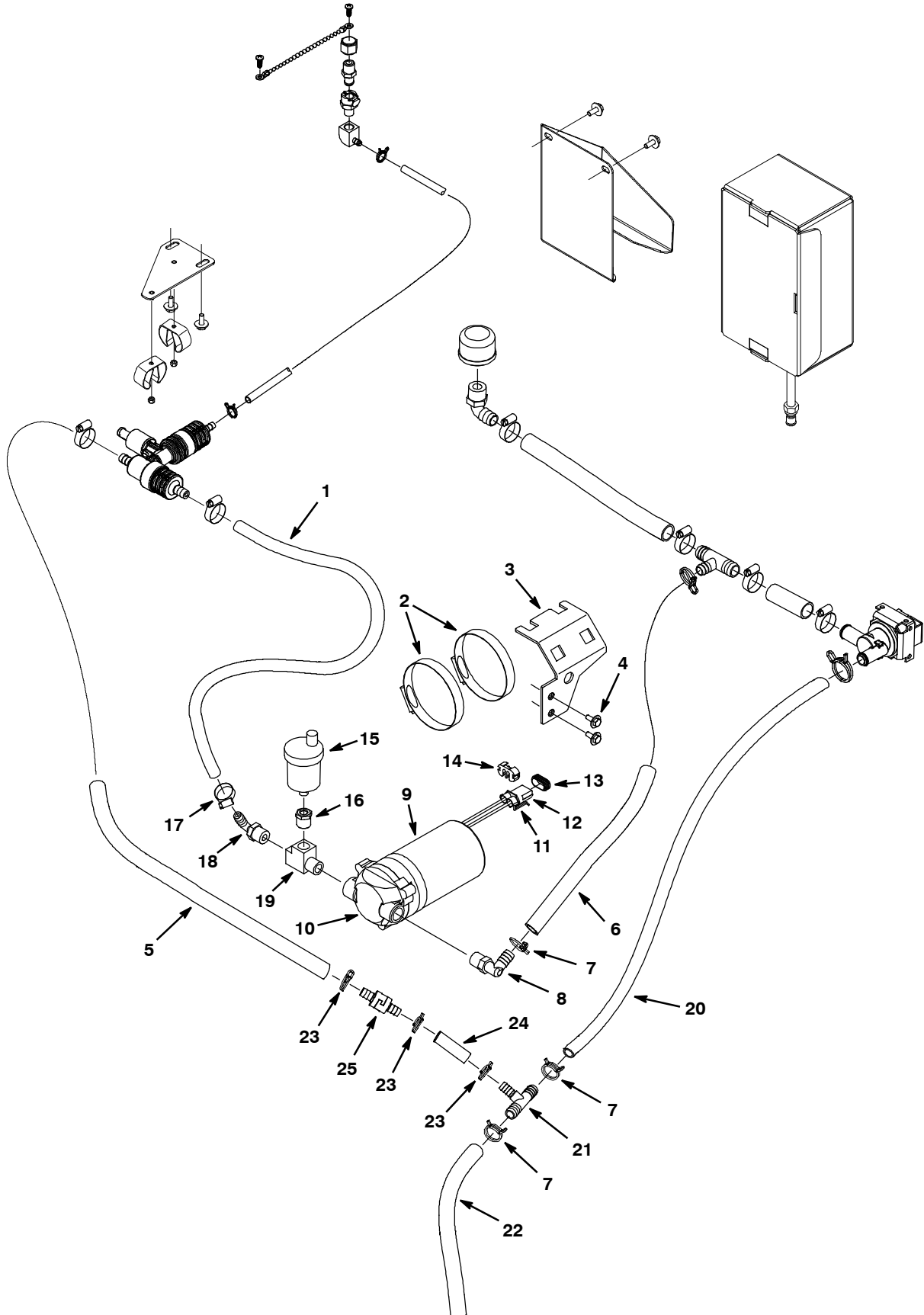
SOLUTION GROUP, FaST MODEL



SOLUTION GROUP, FaST MODEL

Ref.	Part No.	Serial Number	Description	Qty.
1	1018155	(00000000-) Screw, Pan, M5 X 0.8 X16, Ss, Tcut	2
2	621443	(00000000-) Chain, Ball, #10 X 157l, Ss	1
3	1005435	(00000000-) Fitting, Plstc, Cap, Pf04, Pipe	1
4	1002899	(00000000-) Fitting, Plstc, Str, Pm04, Cplg, Mal	1
5	1029262	(00000000-) Fitting, Plstc, Str, Pf04, Cplg, Fem	1
6	1028773	(00000000-) Fitting, Brs, E90, Pf04/Bm04	1
7	1006415	(00000000-) Hose, Afmkt, Pvc, Clr 0.25id 3ft	1
8	1036339	(00000000-) Bracket, Mtg, Detgt [T5]	1
9	1034731	(10369603-) Screw, Hex, M6 X 1.00 X 16, Sems, Ss	4
10	54333	(00000000-) Clamp, Hose, Wormdrive, 0.31- 0.88d, .31w	6
11	1017015	(00000000-) Detergent Pkg, 2 Liter, Sgl [365] (Standard)	1
11	1017022	(00000000-) Detergent Pkg, 2 Liter, Sgl [665] (Optional)	1
11	9002021	(00000000-) Fast 965 2 Ltr, Detergent (Optional)	1
12	1015522	(00000000-) Filter, Screen, 080 Mesh, Pf08, Ss	1
13	630371	(00000000-) Fitting, Plstc, E90, Bm10/Pm08	1
14	1041978	(00000000-) Clamp, Hose, Wir, .85 - .90, Silver	1
15	1035355	(00000000-) Hose, Afmkt, Pvc, Clr, 0.62id, 02ft	1
16	1015486	(00000000-) Fitting, Plstc, Tee, Bm10/Bm08/Bm10	1
17	605099	(00000000-) Hose, Pvc, Clr, 0.62id 0.88od 3.0l	1
18	1059224	(00000000-) Valve, Water, Solenoid, 24vdc, Bm10/Bm10	1
19	607776	(00000000-) Clamp, Hose, Wire, .73 - .77, Silver	1
20	9008847	(10538043-) Fast Kit, Injector[T5 60/65cm, Fast Iii]	1
21	33932	(10347532-) Nut, Hex, Lock, M4 X 0.7, NI, Ss	2
21	33932	(00000000- 10347531) Nut, Hex, Lock, M4 X 0.7, NI, Ss	3
22	573073	(10538043-) Clip, Grip, Hose, 1.00- 1.38, Zn (600 mm Disk & 650 mm Cyl Models)	2
22	573073	(10347532-) Clip, Grip, Hose, 1.00- 1.38, Zn (700 mm/800 mm Disk & 800 mm Cyl Models)	1
23	49697	(10347532- 10369602) Screw, Pan, M4 X 0.7 X 10, Ss	2
23	49697	(00000000- 10347531) Screw, Pan, M4 X 0.7 X 10, Ss	3
24	N/A	(00000000- 10369602) (Replaced By Item #30)	1
25	01684	(00000000- 10369602) Washer, Flat, 0.25 Ss	2
26	11635	(00000000- 10369602) Screw, Hex, M6 X 1.0 X 12, Ss, NI	2
27	9003810	(00000000- 10348537) Fast Kit, Conv, Ci[T5 60/65Cm, FaST II+] (600mm Disk & 650mm Cyl Models) (See Breakdowns)	1
27	9003812	(00000000- 10347531) Fast Kit, Conv, Ci[T5 70/80Cm, Fast II+] (700mm/800mm Disk & 800mm Cyl Models) (See Breakdowns)	1
28	607775	(00000000- 10348537) Clamp, Hose, Wir, .63 - .66, Blk	1
29	1014295	(00000000- 10347531) Clip, Spring, Holder, Blk Vyl Coated	3
30	1040982	(10369603-) Plate, Mtg, Injector [T5/Ss5 Fast II+]	1
31	613735	(00000000-) Clamp, Hose, Wir, .40 - .42, Yel	2
32	1014295	(00000000-) Clip, Grip, Hose, 0.75- 1.12, Stl,Blk Vyl (700 mm/800 mm Disk & 800 mm Cyl Models)	1
33	9003907	(10348538- 10538042) Fast Kit, Injector[T5 60/65Cm, Fast II+] (See Breakdowns) (Replaced by 9008847)	1
33	9003908	(10347532-) Fast Kit, Injector[T5 70/80Cm, Fast II+] (See Breakdowns)	1
34	01683	(00000000-) Washer, Flat, 10, Ss	2
35	09200	(00000000-) Screw, Pan, Phl, M5 X 0.80 X 12, Ss	2

SOLUTION GROUP, FaST MODEL - CONT'D



SOLUTION GROUP, FaST MODEL - CONT'D

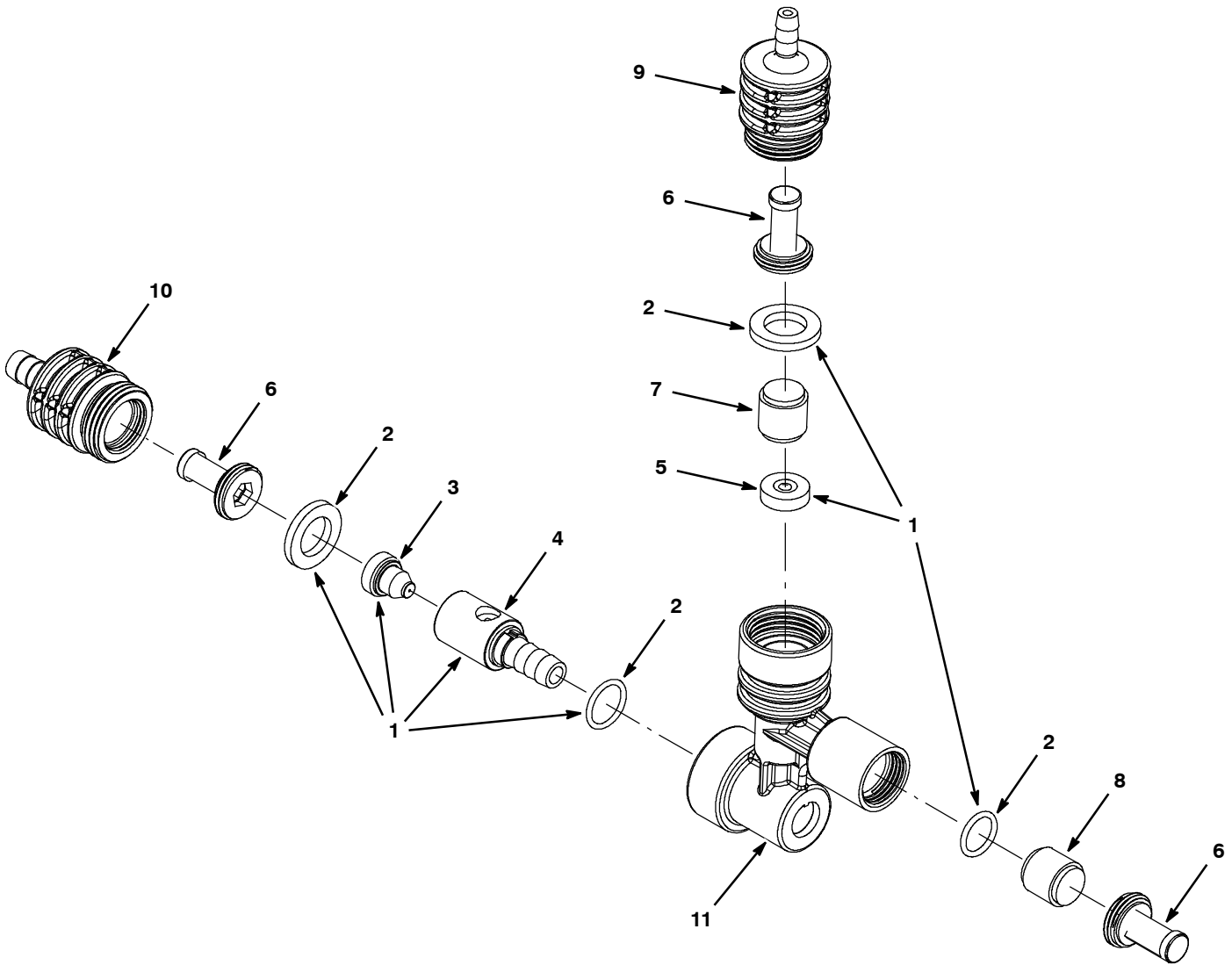
Ref.	Part No.	Serial Number	Description	Qty.	
1	9002542	(00000000-) Hose, .38id X 0.6od Pvc 376720 Ft 3.5	1	
2	43555	(00000000-) Clamp, Hose, Wormdrive, 2.50- 3.50d, .50w	2	
3	1023463	(00000000-) Bracket, Mtg, Pump	1	
4	1034731	(00000000-) Screw, Hex, M6 X 1.00 X 16, Sems, Ss	2	
5	9004748	(00000000-) Hose, Pyu, Clr, 0.38id 0.62od 42l	1	
6	613521	(00000000-) Tubing 1/2idx3/4od Vnyl 611259 Ft 1.000	1	
7	607776	(00000000-) Clamp, Hose, Wire, .73 - .77, Silver	3	
8	1017532	(00000000-) Fitting, Plstc, E90, Bm08/Pm06	1	
▽	9	1014282	(00000000-) Pump, Soltn, Ele, 24vdc, 60psi, Packard	1
▲	10	9001240	(00000000-) Pump Kit, Head, Soltn	1
▲	11	78950	(00000000-) Connector, Fem, 02cav, Mp280 Sealed	1
▲	12	78951	(00000000-) Terminal, Fem, Mp280, Sealed, 18- 16ga	1
▲	13	10917	(00000000-) Seal, Wire, 14/16ga [Wp / Mp280 Sealed]	1
▲	14	78952	(00000000-) Lock, Secondary, 2cav, Mp280 Sealed	1
	15	1017386	(00000000-) Valve, Air Vent, Float Type	1
	16	24698	(00000000-) Fitting, Brs, Str, Pf02/Pm06	1
	17	54333	(00000000-) Clamp, Hose, Wormdrive, 0.31- 0.88d, .31w	1
	18	1005630	(00000000-) Fitting, Plstc, E90, Bm06/Pm06, Nyl	1
	19	601483	(00000000-) Fitting, Brs, Tee, Pm06/Pf06, Strt, T	1
	20	613531	(00000000-) Tubing 1/2idx3/4od Vinyl 611259 Ft 3.750	1
	21	630372	(00000000-) Fitting, Plstc, Tee, Bm08/Bm06/Bm08	1
	22	613521	(00000000-) Tubing 1/2idx3/4od Vnyl 611259 Ft 1.000	1
	23	607775	(00000000-) Clamp, Hose, Wir, .63 - .66, Blk	3
	24	606362	(00000000-) Hose 3/8idx5/8odx6.5 (611254)	1
	25	1015455	(00000000-) Valve, Check, 0005 Psi, Bm06/Bm06 (600mm Disk & 650mm Cyl Models)	1
	25	1015455	(10582617-) Valve, Check, 0005 Psi, Bm06/Bm06 (700mm/800mm Disk & 800mm Cyl Models)	1
	25	1040501	(10347532- 10582616)) Valve, Check, 0015 Psi, Bm06/Bm06 (700mm/800mm Disk & 800mm Cyl Models)	1
	25	1015455	(00000000- 10347531)) Valve, Check, 0005 Psi, Bm06/Bm06 (700mm/800mm Disk & 800mm Cyl Models)	1

▽ ASSEMBLY

▲ INCLUDED IN ASSEMBLY

STANDARD PARTS

9008847 FAST INJECTOR ASSEMBLY BREAKDOWN (S/N 10538043-), 600 mm DISK & 650 mm CYLINDRICAL MODELS

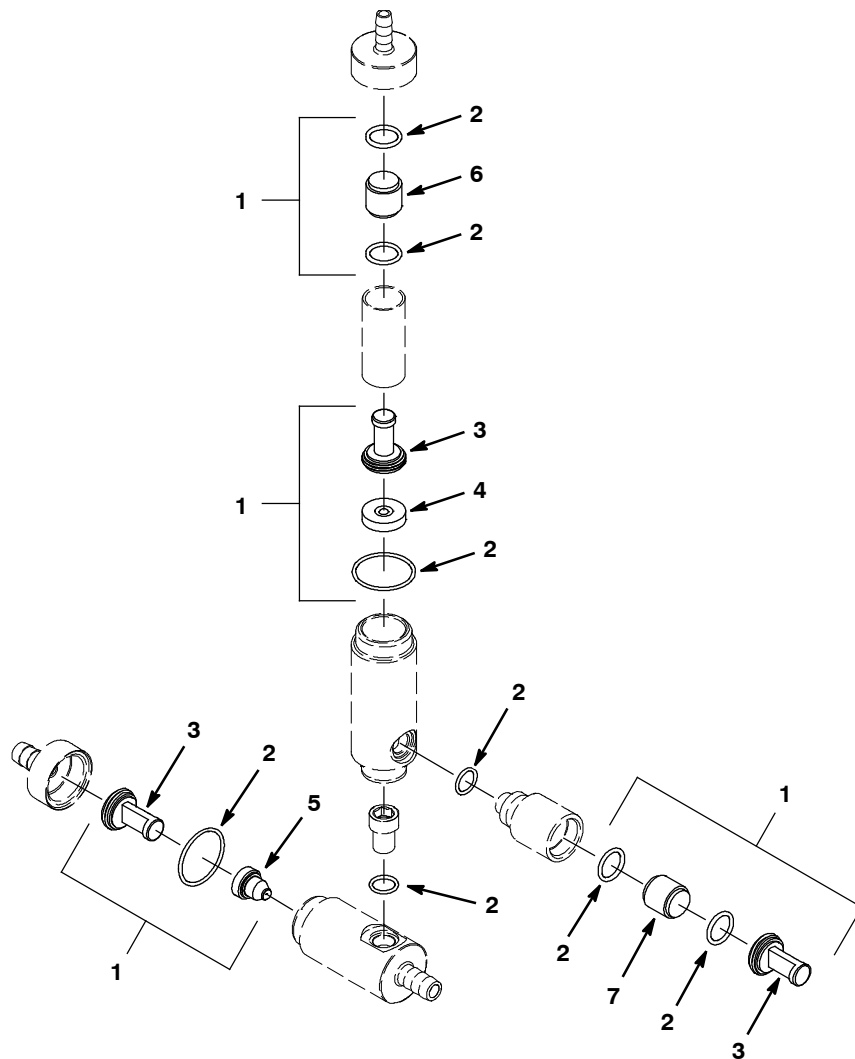


Ref.	Part No.	Serial Number	Description	Qty.	
▽	9008847	(10538043-) Fast Kit, Injector[T5 60/65cm, Fast lii]	1	
▲▽	1	9003811	(10538043-) Fast Kit, Ci[Inj Reblid, T5 60/65cm, li+]	1
▲▲	2	9008848	(10538043-) Fast Kit, Seal, Injector, Ci [Fast lii]	1
▲▲	3	1039989	(10348538-) Plug, Orifice, 0.030, Ss [Fast li+]	1
▲▲	4	1059250	(10538043-) Insert, Venturi, Medium, [Fast lii]	1
▲▲	5	1059869	(10538043-) Plate Assy, Orifice, 0.007id, Red	1
▲	6	9003009	(10348538-) Fast Kit, Ci, Injector Filters[Fast li+]	1
▲	7	1030444	(10348538-) Valve, Check, 0002psi [Fast li+]	1
▲	8	1030441	(10348538-) Valve, Check, 0005psi [Fast li+]	1
▲	9	1058126	(10538043-) Housing, Fltr, Upper [Fast lii]	1
▲	10	1057811	(10538043-) Housing, Fltr, Lower [Fast lii]	1
▲	11	1053564	(10538043-) Housing, Body, Injector [Fast lii]	1

▽ ASSEMBLY

▲ INCLUDED IN ASSEMBLY

9003907 FAST INJECTOR ASSEMBLY BREAKDOWN (S/N 10348538- 10538042)
600 mm DISK & 650 mm CYLINDRICAL MODELS



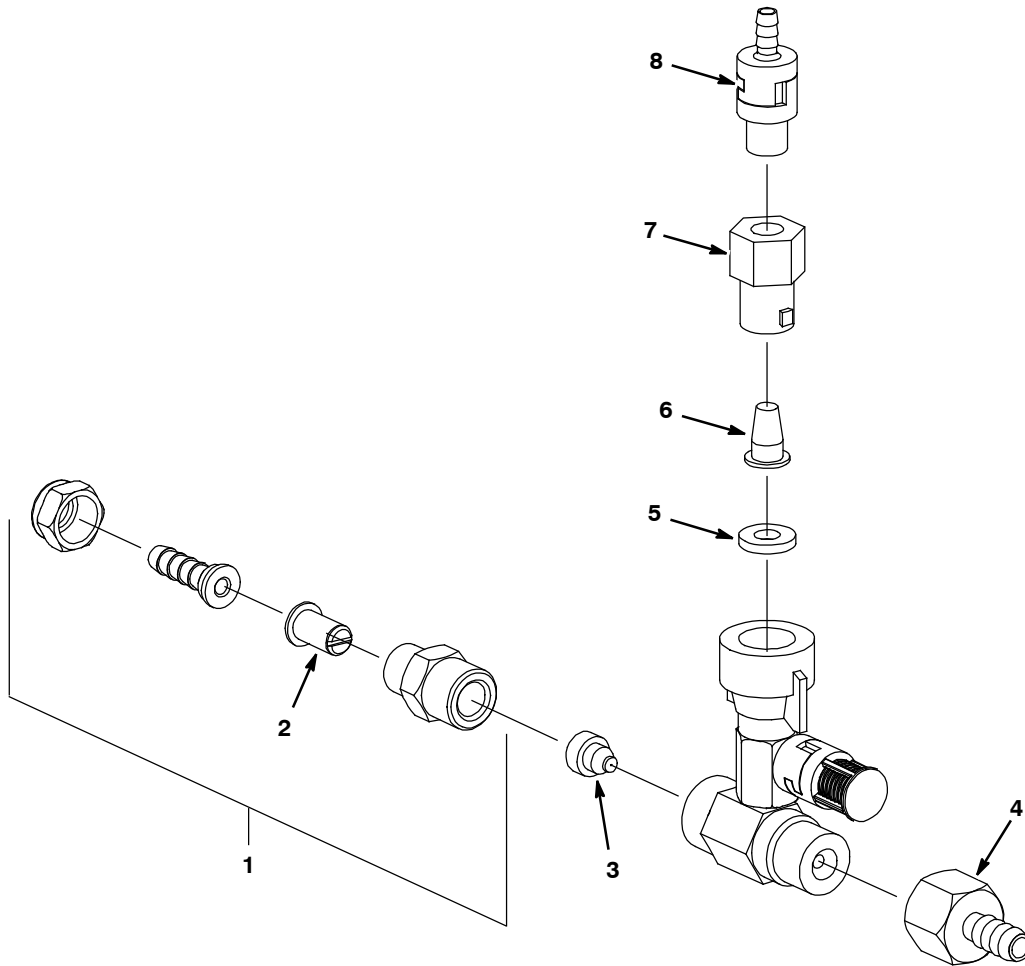
Ref.	Part No.	Serial Number	Description	Qty.
▽	9003907	(10348538- 10538042)	Fast Kit, Injector[T5 60/65cm, Fast li+]	1
▲	1	9003811 (10348538- 10538042)	Fast Kit, Ci[Inj Reblid, T5 60/65cm, li+]	1
▲	2	9003008 (10348538- 10538042)	Fast Kit, Ci, Injector Seals [Fast li+]	1
▲	3	9003009 (10348538-)	Fast Kit, Ci, Injector Filters[Fast li+]	1
▲	4	1032284 (10348538- 10538042)	Plate Assy, Orifice, 0.007id, Red	1
▲	5	1039989 (10348538-)	Plug, Orifice, 0.030, Ss [Fast li+]	1
▲	6	1030444 (10348538-)	Valve, Check, 0002psi [Fast li+]	1
▲	7	1030441 (10348538-)	Valve, Check, 0005psi [Fast li+]	1

▽ ASSEMBLY

▲ INCLUDED IN ASSEMBLY

STANDARD PARTS

9003810 FAST INJECTOR ASSEMBLY BREAKDOWN (S/N 00000000- 10348537) 600 mm DISK & 650 mm CYLINDRICAL MODELS

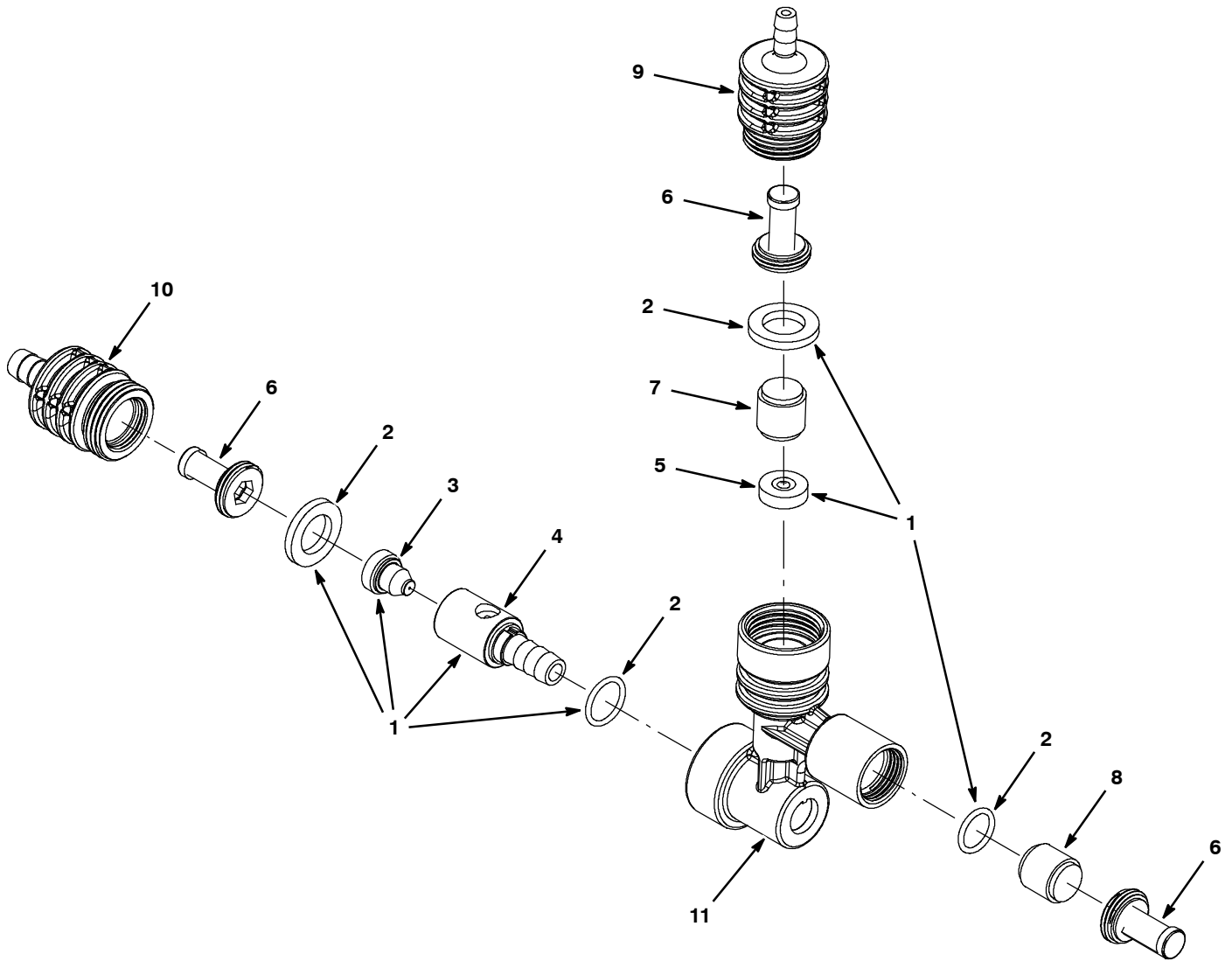


Ref.	Part No.	Serial Number	Description	Qty.
▽	9003810	(00000000- 10348537)	Fast Kit, Conv, Ci[T5 60/65cm, Fast li+]	1
▲	1	1013411 (00000000- 10348537)	Filter Assy, 050mesh	1
▲	2	1006447 (00000000- 10348537)	Vr, Filter, Screen, 050 Mesh .59d .8l Ss	1
	3	1039988 (00000000- 10348537)	Plug, Orifice, 0.027, Ss [Fast li+]	1
	4	1014276 (00000000- 10348537)	Fitting, Brs, Str, Bm06/Pf08	1
	5	1032284 (00000000- 10348537)	Plate Assy, Orifice, 0.007id, Red	1
	6	1029355 (00000000- 10348537)	Vr, Filter, Screen, 200 Mesh .59d .8l Ss	1
	7	1005507 (00000000- 10348537)	Fitting, Plstc, Body, Spray, Pf04	1
	8	1014254 (00000000- 10348537)	Valve, Check, 0002psi Bm04/Pm04	1

▽ ASSEMBLY

▲ INCLUDED IN ASSEMBLY

9008887 FAST INJECTOR ASSEMBLY BREAKDOWN (S/N 10582617-),
700 mm / 800 mm DISK & 800 mm CYLINDRICAL MODELS



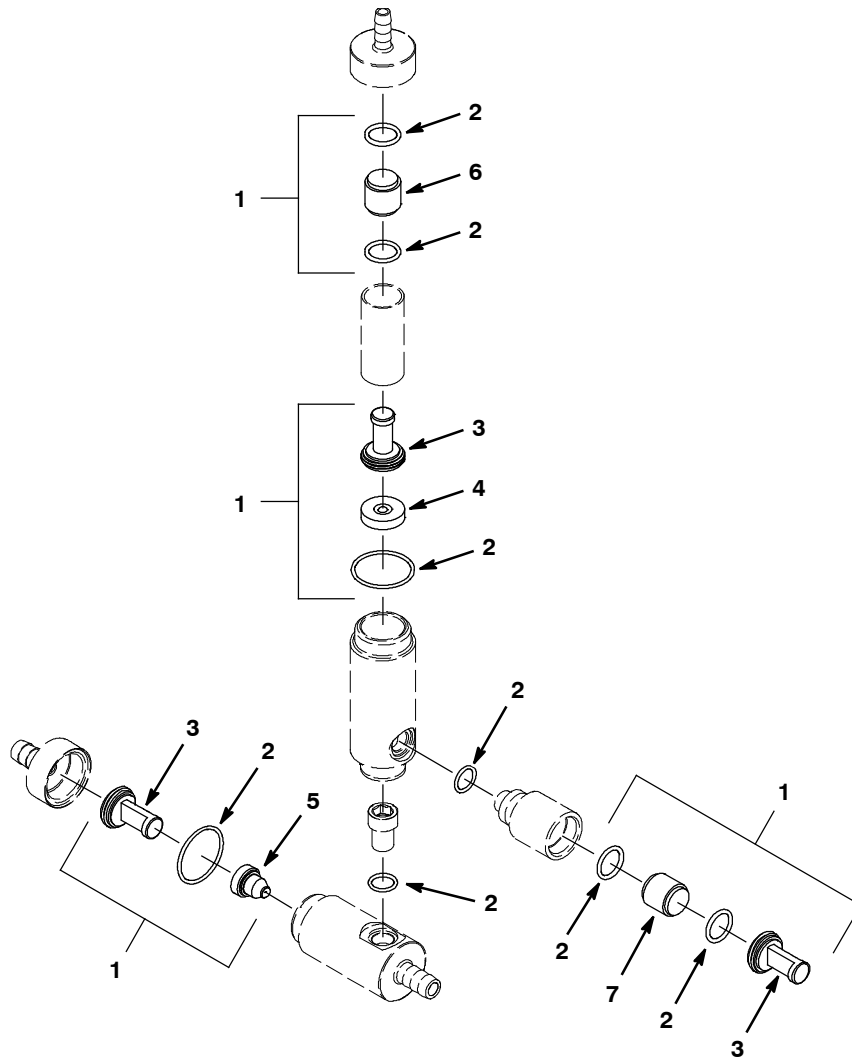
Ref.	Part No.	Serial Number	Description	Qty.	
▽	9008887	(10582617-) Fast Kit, Injector[T5 70/80cm, Fast Iii]	1	
▲▽	1	9008888	(10582617-) Fast Kit, Ci[Inj Reblid, T5 70/80cm, Iii]	1
▲▲	2	9008848	(10582617-) Fast Kit, Seal, Injector, Ci [Fast Iii]	1
▲▲	3	1039579	(10347532-) Plug, Orifice, 0.033, Ss [Fast Ii+]	1
▲▲	4	1059250	(10582617-) Insert, Venturi, Medium, [Fast Iii]	1
▲▲	5	1059875	(10582617-) Plate Assy, Orifice, 0.0075id, Blue	1
▲	6	9003009	(10347532-) Fast Kit, Ci, Injector Filters[Fast Ii+]	1
▲	7	1030444	(10347532-) Valve, Check, 0002psi [Fast Ii+]	1
▲	8	1030441	(10347532-) Valve, Check, 0005psi [Fast Ii+]	1
▲	9	1058126	(10582617-) Housing, Fltr, Upper [Fast Iii]	1
▲	10	1057811	(10582617-) Housing, Fltr, Lower [Fast Iii]	1
▲	11	1053564	(10582617-) Housing, Body, Injector [Fast Iii]	1

▽ ASSEMBLY

▲ INCLUDED IN ASSEMBLY

STANDARD PARTS

9003908 FAST INJECTOR ASSEMBLY BREAKDOWN (S/N 10347532- 10582616) 700 mm / 800 mm DISK & 800 mm CYLINDRICAL MODELS

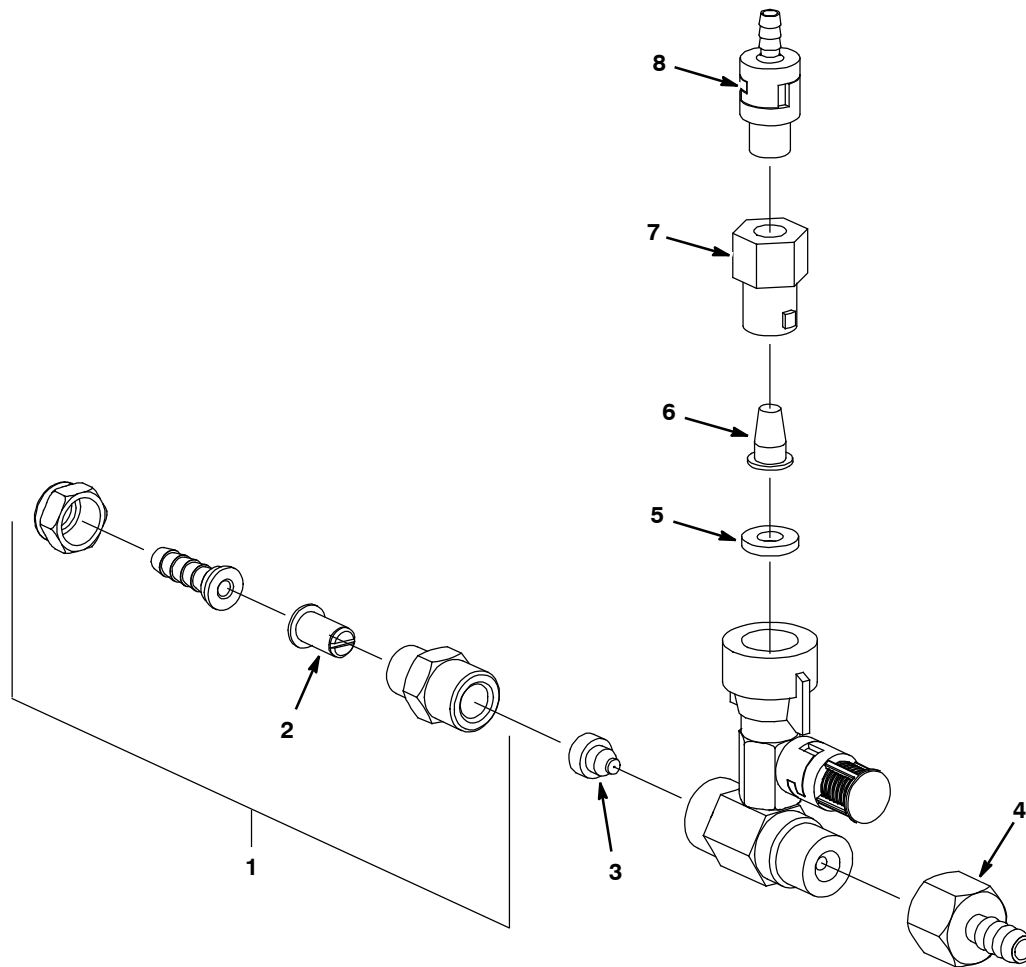


Ref.	Part No.	Serial Number	Description	Qty.
▽	9003908	(10347532- 10582616)	Fast Kit, Injector[T5 70/80cm, Fast li+]	1
▲	1	9003813	(10347532- 10582616) Fast Kit, Ci[Inj Reblid, T5 70/80cm, li+]	1
▲	2	9003008	(10347532- 10582616) Fast Kit, Ci, Injector Seals [Fast li+]	1
▲	3	9003009	(10347532-) Fast Kit, Ci, Injector Filters[Fast li+]	1
▲	4	1039978	(10347532- 10582616) Plate Assy, Orifice, 0.0075id, Blu	1
▲	5	1039579	(10347532-) Plug, Orifice, 0.033, Ss [Fast li+]	1
▲	6	1030444	(10347532-) Valve, Check, 0002psi [Fast li+]	1
▲	7	1030441	(10347532-) Valve, Check, 0005psi [Fast li+]	1

▽ ASSEMBLY

▲ INCLUDED IN ASSEMBLY

**9003812 FAST INJECTOR ASSEMBLY BREAKDOWN (S/N 0000000- 10347531)
700 mm / 800 mm DISK & 800 mm CYLINDRICAL MODELS**



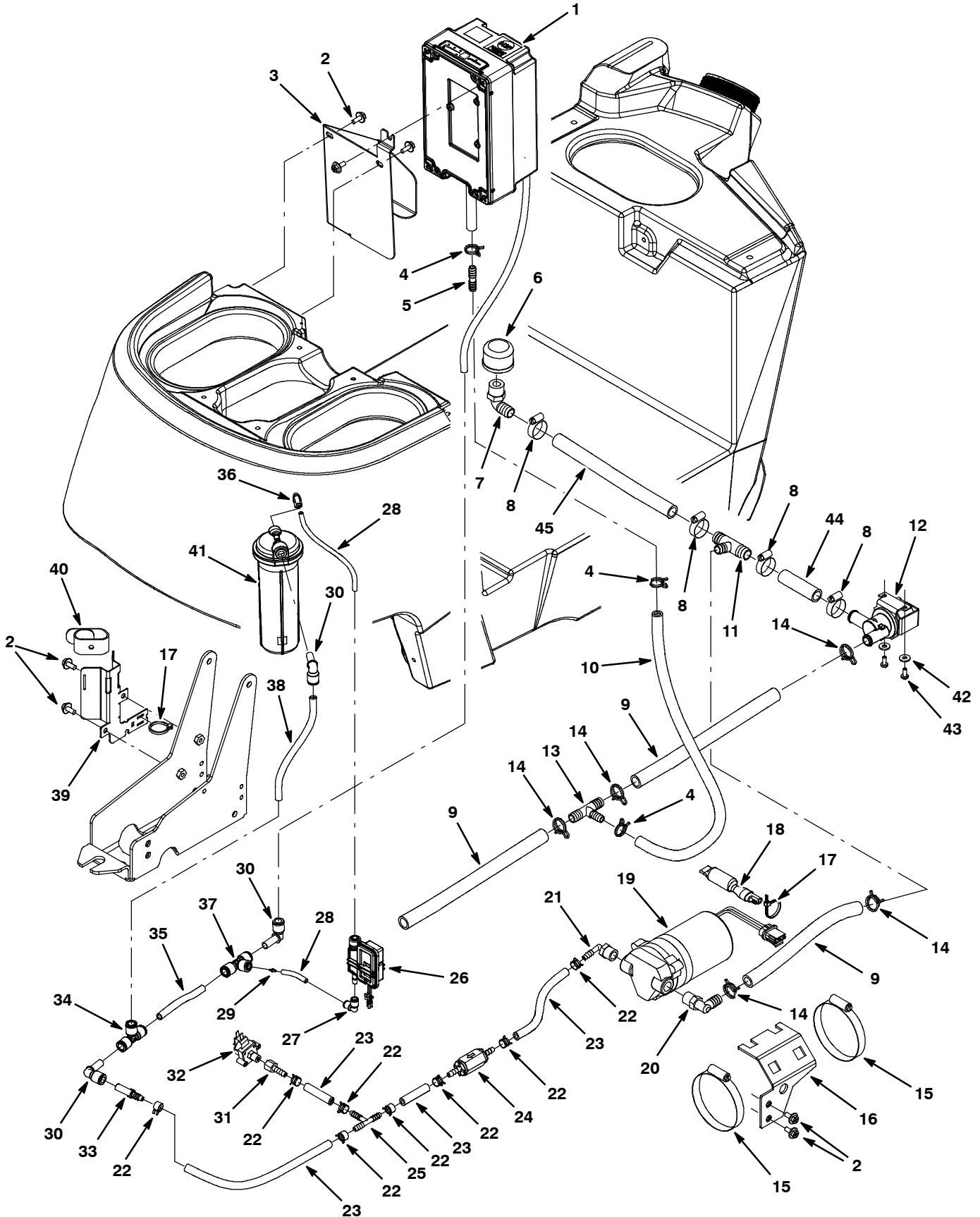
Ref.	Part No.	Serial Number	Description	Qty.
▽	9003812	(00000000- 10347531)	Fast Kit, Conv, Ci[T5 70/80cm, Fast li+]	1
▲	1	1013411 (00000000- 10347531)	Filter Assy, 050mesh	1
▲	2	1006447 (00000000- 10347531)	Vr, Filter, Screen, 050 Mesh .59d .8l Ss	1
	3	1039579 (00000000- 10347531)	Plug, Orifice, 0.033, Ss [Fast li+]	1
	4	1014276 (00000000- 10347531)	Fitting, Brs, Str, Bm06/Pf08	1
	5	1039978 (00000000- 10347531)	Plate Assy, Orifice, 0.0075id, Blu	1
	6	1029355 (00000000- 10347531)	Vr, Filter, Screen, 200 Mesh .59d .8l Ss	1
	7	1005507 (00000000- 10347531)	Fitting, Plstc, Body, Spray, Pf04	1
	8	1014254 (00000000- 10347531)	Valve, Check, 0002psi Bm04/Pm04	1

▽ ASSEMBLY

▲ INCLUDED IN ASSEMBLY

STANDARD PARTS

SOLUTION GROUP, *ec-H2O* NANOCLEAN MODEL (S/N 10742213-)



SOLUTION GROUP, *ec-H2O* NANOCLEAN MODEL (S/N 10742213-)

Ref.	Part No.	Serial Number	Description	Qty.
1	9011810	(10742213-) Module Kit, Replmt [Ec- H2o, B 02] (See Breakdown)	1
2	1034731	(10742213-) Screw, Hex, M6 X 1.00 X 16, Sems, Ss	7
3	1040881	(10742213-) Bracket, Mtg, Martini [T5]	1
4	607775	(10742213-) Clamp, Hose, Wir, .63 - .66, Blk	3
5	20950	(10742213-) Fitting, Plstc, Str, Bm06/Bm06	1
6	1015522	(10742213-) Filter, Screen, 080mesh, Ss, Pf08	1
7	630371	(10742213-) Fitting, Plstc, E90, Bm10/Pm08	1
8	54333	(10742213-) Clamp, Hose, Wormdrive, 0.31- 0.88d, .31w	4
9	613521	(10742213-) Hose, Pvc, Clr, 0.50id 0.75od 012.0l	1
10	1006400	(10742213-) Hose, Afmkt, Pvc, Brd, 0.38id, 03ft, Clr	1
11	1015486	(10742213-) Fitting, Plstc, Tee, Bm08/Bm10/Bm10, Br	1
12	1013599	(10742213-) Valve, Water, Solenoid, 24vdc Bm10/Bm10	1
13	630372	(10742213-) Fitting, Plstc, Tee, Bm06/Bm08/Bm08, Br	1
14	607776	(10742213-) Clamp, Hose, Wir, .73 - .77, Silver	6
15	43555	(10742213-) Clamp, Hose, Wormdrive, 2.62- 3.50d	2
16	1023463	(10742213-) Bracket, Mtg, Pump [T5]	1
17	130773	(10742213-) Tie, Cable, Nyl, 11.0l, .14w, 3.0 Max. D	2
18	1040868	(10742213-) Capacitor, Plug [.01 Uf, 200v]	1
19	1042495	(10742213-) Pump, Soltn, Ele, 24vdc, 35psi	1
20	1017532	(10742213-) Fitting, Plstc, E90, Bm08/Pm06	1
21	150417	(10742213-) Fitting, Plstc, E90, Bm04/Pm06	1
22	603654	(10742213-) Clamp, Hose, Ear, .44d [Ctb]	8
23	9014210	(10742213-) Hose, Afmkt, Pvc, Brd .25id .44od, 05ft	1
24	1216878	(10742213-) Valve, Check, 0001psi Bm04/Bm04	1
25	150713	(10742213-) Fitting, Plstc, Tee, Bm04/Bm04/Bm04	1
26	1216973	(10742213-) Pump Assy, Dispenser	1
27	1217763	(10742213-) Fitting, Plstc, E90, Qf04/Qf04	1
28	9014211	(10742213-) Hose, Afmkt, Pvc, Grn .06id .25od, 02ft	1
29	1214972	(10742213-) Fitting, Orifice, Str, Bm01/Bm/01	1
30	1215186	(10742213-) Fitting, Plstc, E90, Qf06/Qm06	3
31	150520	(10742213-) Fitting, Brs, Str, Bm04/Pf02	1
32	1044414	(10742213-) Switch, Press, 15psi, Pm02	1
33	1212857	(10742213-) Fitting, Plstc, Str, Qm06/Bm04	1
34	1212573	(10742213-) Fitting, Plstc, Tee, Qf06/Qf06/Qf06	1
35	1014987	(10742213-) Hose, Afmkt, Pvc, Clr, 0.25id, 01ft	1
36	1214339	(10742213-) Fitting, Plstc, E90, Qfo4/Qm04	1
37	1212855	(10742213-) Fitting, Plstc, Tee, Qf04/Qf06/Qf06	1
38	9014212	(10742213-) Hose, Afmkt, Pvc, Grn 0.06id .38od, 02ft	1
39	1215755	(10742213-) Bracket, Mtg, Ec- H2O Wcm [T5 Disk]	1
39	1220598	(10742213-) Bracket, Mtg, Ec- H2O Wcm [T5 Cyl]	1
40	1059534	(10742213-) Fastener, 09.00l [Hook & Loop]	1
41	9013646	(10742213-) Cartridge, Ec- H2o Nanoclean Wcm, 270ml	1
42	01683	(10742213-) Washer, Flat, 10, Ss	2
43	09200	(10742213-) Screw, Pan, Phl, M5 X 0.80 X 12, Ss	2
44	1035355	(10742213-) Hose, Afmkt, Pvc, Clr, 0.62id, 02ft	1
45	605099	(10742213-) Hose, Pvc, Clr, 0.62id 0.88od 003.0l	1

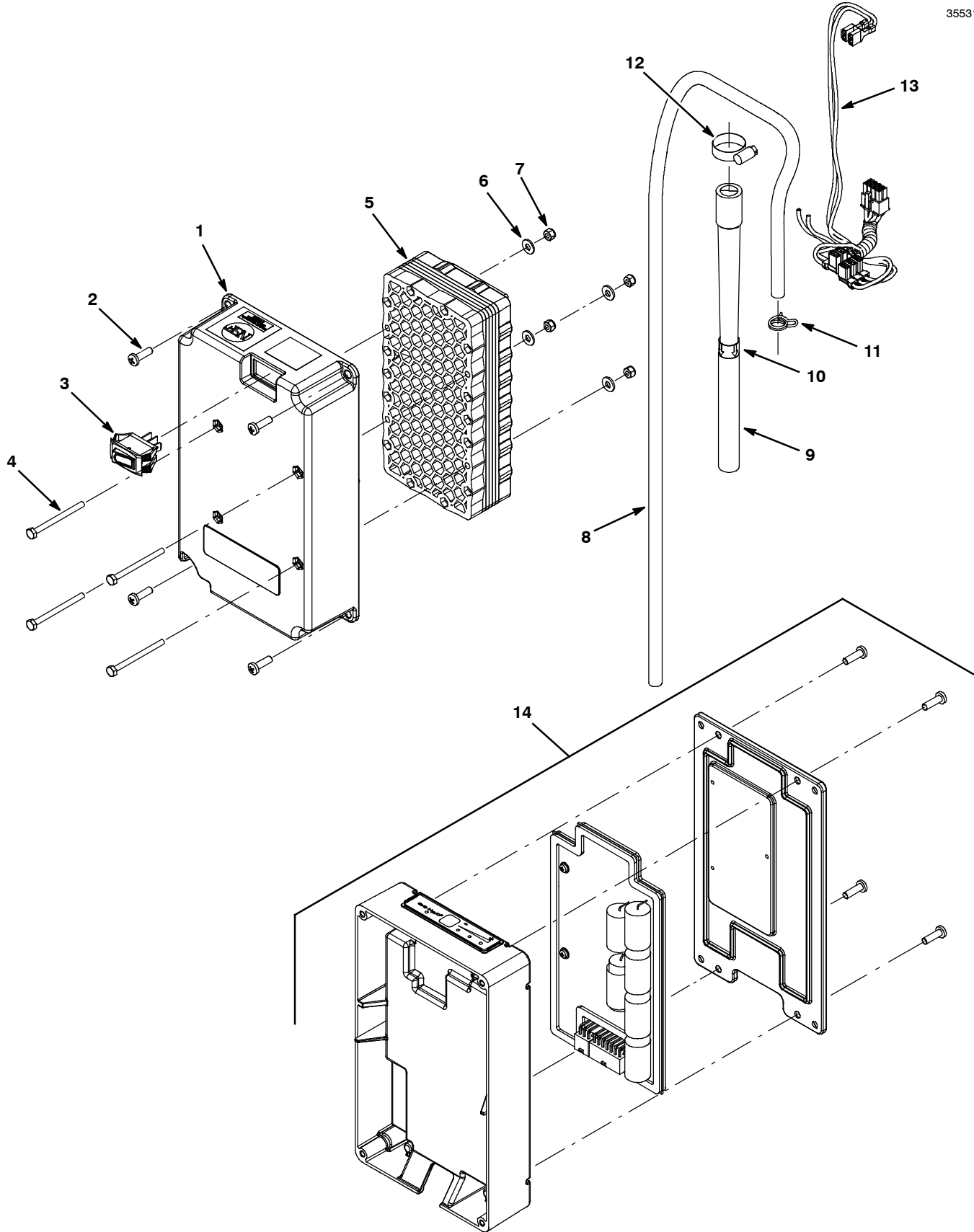
▽ ASSEMBLY

▲ INCLUDED IN ASSEMBLY

STANDARD PARTS

ec-H2O NANOCLEAN MODULE BREAKDOWN, 9011810 (S/N 10742213-)

355317



ec-H2O NANOCLEAN MODULE BREAKDOWN, 9011810 (S/N 10742213-)

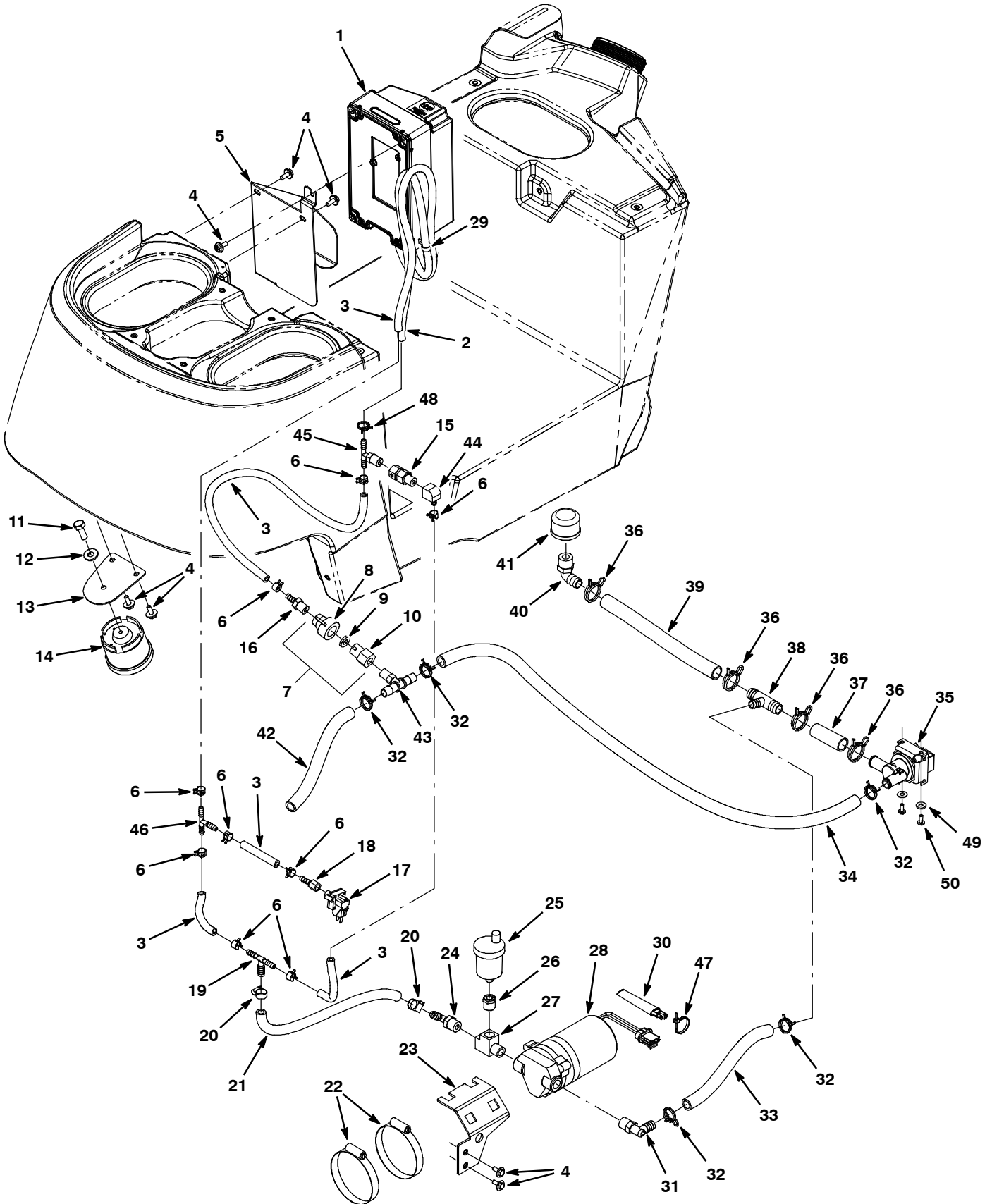
Ref.	Part No.	Serial Number	Description	Qty.
▽	9011810	(10742213-) Module Kit, Replmt [Ec- H2o, B 02]	1
▲▽	9014126	(10742213-) Ec- H2o Nc Kit [Module B, Plumbing]	1
▲▲	1 1208823	(10742213-) Housing, Module, Upper, Ec- H2o	1
▲▲	2 1015506	(10742213-) Screw, Pan, Phl, M5 X 16, Tcut [Plastic]	4
▲▲	3 1044393	(10742213-) Switch, Rocker, Spst, Mom	1
▲▲	4 32509	(10742213-) Screw, Hex, M4 X 0.70 X 50, Ss	4
▲▲	5 1208164	(10742213-) Electrode, 5 Plate, High Flow	1
▲▲	6 41579	(10742213-) Washer, Flat, 08, Ss	4
▲▲	7 33932	(10742213-) Nut, Hex, Lock, M4 X 0.70, NI, Ss	4
▲▲	8 1006415	(10742213-) Hose, Afmkt, Pvc, Clr, 0.25id, 03ft	1
▲▲	9 1208526	(10742213-) Hose, Molded, Bm08/Bm06	1
▲▲	10 1049637	(10742213-) Label, Direction [Ec- H2o]	1
▲▲	11 613735	(10742213-) Clamp, Hose, Wir, .40 - .42, Yel	1
▲▲	12 54333	(10742213-) Clamp, Hose, Wormdrive, 0.31- 0.88d, .31w	1
▲▲	13 1073286	(10742213-) Harness, Ele, Module B2 [Ec- H2o]	1
▲	14 9014127	(10742213-) Controller Kit, Replmt [Ec- H2o Nc]	1

▽ ASSEMBLY

▲ INCLUDED IN ASSEMBLY

STANDARD PARTS

SOLUTION GROUP, *ec-H2O* MODEL (S/N 10378380-10742212)

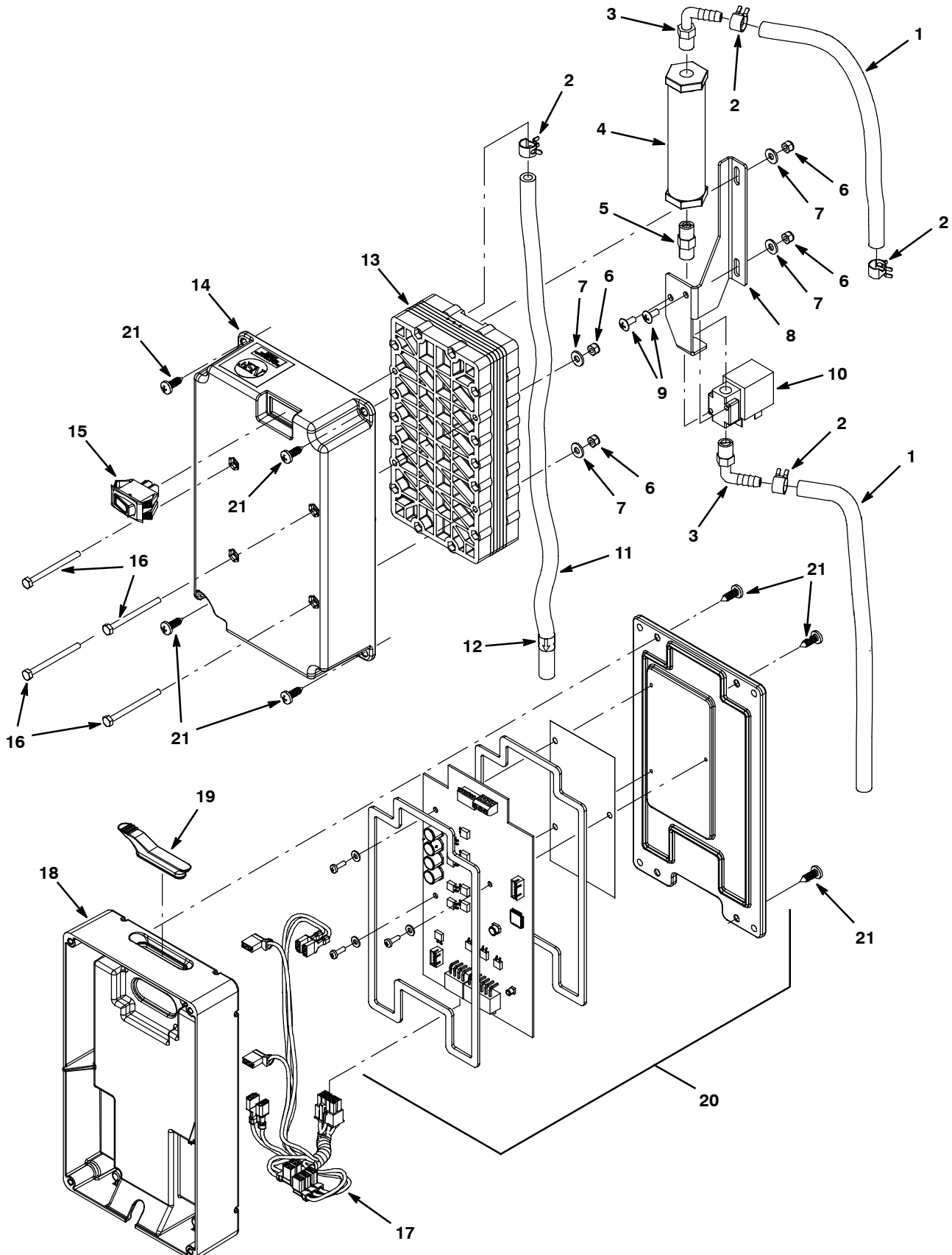


SOLUTION GROUP, *ec-H2O* MODEL (S/N 10378380-10742212)

Ref.	Part No.	Serial Number	Description	Qty.	
1	9007970	(10448305-10742212)	Module Kit, Replmt [Ec- H2o] (See Breakdown)	1	
1	9006161	(10378380-10448304)	Module Kit, Replmt [Ec- H2o] (See Breakdown)	1	
2	9004606	(10378380-10742212)	Hose, Pvc, Brd, .25id .45od 46l, Clr	1	
3	578820000	(10378380-10742212)	Hose, Pvc, Brd, 0.25id 0.44od 157.2l,Clr	1	
4	1034731	(00000000-10742212)	Screw, Hex, M6 X 1.00 X 16, Sems, Ss	7	
5	1040881	(10378380-10742212)	Bracket, Mtg, Martini [T5]	1	
6	603654	(10378380-10742212)	Clamp, Hose, Ear, .44d [Ctb]	9	
▽	7	1043866	(10378380-10742212)	Fitting Assy, Qd, Pf04	1
▲	8	1005506	(10378380-10742212)	Fitting, Plstc, Cap, Spray, Pf04	1
▲	9	1047655	(10378380-10742212)	Washer, Flat, 0.40b 0.75d .12 [Viton]	1
▲	10	1005507	(10378380-10742212)	Fitting, Plstc, Body, Spray, Pf04	1
	11	01697	(10378380-10742212)	Screw, Hex, .25- 20 X 0.62, Ss	1
	12	01685	(10378380-10742212)	Washer, Flat, 0.38b 0.88d .08, Ss	1
	13	1044192	(10378380-10742212)	Bracket, Mtg, Horn [Ec- H2o]	1
	14	1018505	(10446231-10742212)	Horn, 12- 48vdc [88.5 Decibels]	1
	14	392937	(10378380-10446230)	Horn, 12- 48vdc [94 Decibels]	1
	15	1044790	(10378380-10742212)	Valve, Check, 0025psi Pm04/Pf04	1
	16	50901	(10378380-10742212)	Fitting, Plstc, Str, Bm04/Pm04	1
	17	1044414	(10378380-10742212)	Switch, Press, 12psi, Pm02	1
	18	150520	(10378380-10742212)	Fitting, Brs, Str, Bm04/Pf02	1
	19	1014441	(10378380-10742212)	Fitting, Plstc, Tee, Bm04/Bm04/Bm06, Br	1
	20	54333	(10378380-10742212)	Clamp, Hose, Wormdrive, 0.31- 0.88d, .31w	2
	21	1006400	(10378380-10742212)	Hose, Afmkt, Pvc, Brd, 0.38id, 03ft, Clr	1
	22	43555	(00000000-10742212)	Clamp, Hose, Wormdrive, 2.50- 3.50d, .50w	2
	23	1023463	(00000000-10742212)	Bracket, Mtg, Pump [T5]	1
	24	1005630	(00000000-10742212)	Fitting, Plstc, E90, Bm06/Pm06, Nyl	1
	25	1017386	(00000000-10742212)	Valve, Vent, Air, Float Type	1
	26	24698	(00000000-10742212)	Fitting, Brs, Str, Pf02/Pm06	1
	27	601483	(00000000-10742212)	Fitting, Brs, Tee, Pf06/Pf06/Pm06, Run	1
	28	1042495	(10378380-10742212)	Pump, Soltn, Ele, 24vdc, 35psi (See Breakdown)	1
	29	140328	(00000000-10742212)	Clamp, Cable, Nyl, 0.38d, Blk	1
	30	1040868	(10378380-10742212)	Capacitor, Plug [.01 Uf, 200v]	1
	31	1017532	(00000000-10742212)	Fitting, Plstc, E90, Bm08/Pm06	1
	32	607776	(00000000-10742212)	Clamp, Hose, Wir, .73 - .77, Silver	5
	33	613521	(00000000-10742212)	Hose, Pvc, Clr, 0.50id 0.75od 012.0l (611259)	1
	34	613531	(00000000-10742212)	Hose, Pvc, Clr, 0.50id 0.75od 045.0l (611259)	1
	35	1013599	(00000000-10742212)	Valve, Water, Solenoid, 24vdc Bm10/Bm10	1
	36	1041978	(00000000-10742212)	Clamp, Hose, Wir, .85 - .90, Silver	4
	37	605099	(00000000-10742212)	Hose, Pvc, Clr, 0.62id 0.88od 003.0l (611259)	1
	38	1015486	(00000000-10742212)	Fitting, Plstc, Tee, Bm08/Bm10/Bm10, Br	1
	39	1035355	(00000000-10742212)	Hose, Afmkt, Pvc, Clr, 0.62id, 02ft (611259)	1
	40	630371	(00000000-10742212)	Fitting, Plstc, E90, Bm10/Pm08	1
	41	1015522	(00000000-10742212)	Filter, Screen, 080mesh, Ss, Pf08	1
	42	613521	(00000000-10742212)	Hose, Pvc, Clr, 0.50id 0.75od 012.0l (611259)	1
	43	1010791	(10378380-10742212)	Fitting, Plstc, Tee, Bm08/Bm08/Pm04, Br	1
	44	1028773	(10378380-10742212)	Fitting, Brs, E90, Bm04/Pf04	1
	45	607306	(10378380-10742212)	Fitting, Plstc, Tee, Bm04/Bm04/Pm04, Br	1
	46	150713	(10378380-10742212)	Fitting, Plstc, Tee, Bm04/Bm04/Bm04	1
	47	130773	(10378380-10742212)	Tie, Cable, Nyl, 11.0l, .14w, 3.0 Max. D	1
	48	613735	(10378380-10742212)	Clamp, Hose, Wir, .40 - .42, Yel	1
	49	01683	(00000000-10742212)	Washer, Flat, 10, Ss	2
	50	09200	(00000000-10742212)	Screw, Pan, Phl, M5 X 0.80 X 12, Ss	2

STANDARD PARTS

ec-H2O MODULE ASSEMBLY BREAKDOWN, 9007970 (S/N 10448305- 10742212)



ec-H2O MODULE ASSEMBLY BREAKDOWN, 9007970 (S/N 10448305- 10742212)

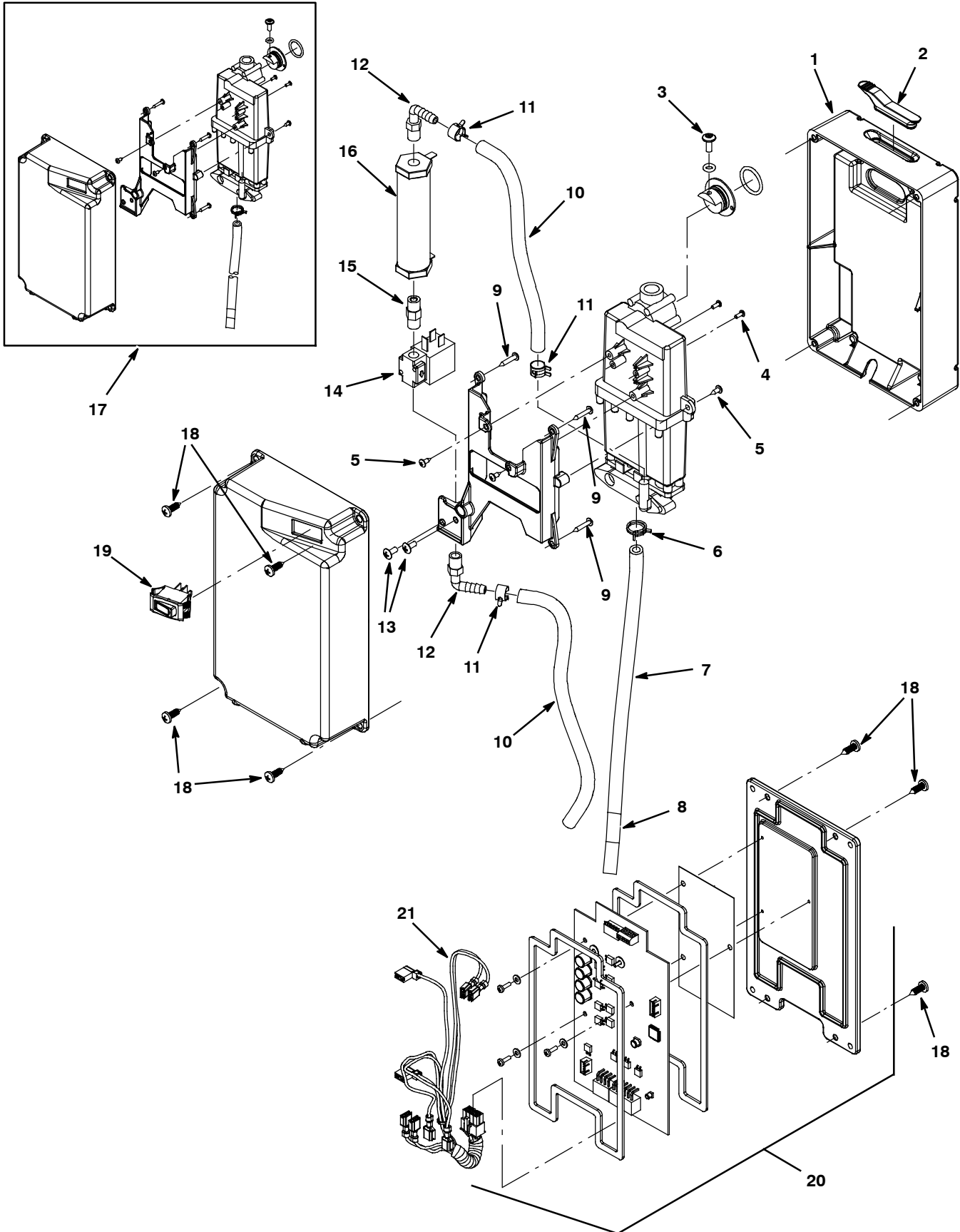
Ref.	Part No.	Serial Number	Description	Qty.
▽	9007970	(10448305- 10742212)	Module Kit, Replmt [Ec- H2o]	1
▲▽	9006324	(10448305- 10742212)	Ec- H2o Kit [Module B, Plumbing]	1
▲▲	1 578820000	(10448305- 10742212)	Hose, Pvc, Brd, 0.25id 0.44od 157.2l,Clr	1
▲▲	2 603654	(10448305- 10742212)	Clamp, Hose, Ear, .44d [Ctb]	4
▲▲	3 1037595	(10448305- 10742212)	Fitting, Plstc, E90, Bm04/Pm02, Nyl	2
▲▲	4 1062006	(10448305- 10742212)	Electrode, Cylindrical	1
▲▲	5 1045030	(10448305- 10742212)	Fitting, Brs, Str, Pm02/Pm02	1
▲▲	6 33932	(10448305- 10742212)	Nut, Hex, Lock, M4 X 0.70, NI, Ss	4
▲▲	7 41579	(10448305- 10742212)	Washer, Flat, 08, Ss	4
▲▲	8 1048490	(10448305- 10742212)	Bracket, Valve	1
▲▲	9 140801	(10448305- 10742212)	Screw, Trs, Phl, 08- 32 X 0.38, Ss	2
▲▲	10 1013236	(10448305- 10742212)	Valve, Shutoff, Ele, 24vdc	1
▲▲	11 9006574	(10448305- 10742212)	Hose, Pvc, Brd, 0.25id 0.45od, 65l, Clr	1
▲▲	12 1049637	(10448305- 10742212)	Label, Direction [Ec- H2o]	1
▲▲	13 1057637	(10448305- 10742212)	Electrode, 5 Plate, High Flow	1
▲▲	14 1051519	(10448305- 10742212)	Housing, Upper, Module, High Flow	1
▲▲	15 1044393	(10448305- 10742212)	Switch, Rocker, Spst, Mom,	1
▲▲	16 32509	(10448305- 10742212)	Screw, Hex, M4 X 0.70 X 50, Ss	4
▲▲	17 1049489	(10448305- 10742212)	Harness, Main, Controller [Ec- H2o, P3]	1
▲	18 1037032	(10448305- 10742212)	Housing, Bottom	1
▲	19 1054776	(10448305- 10742212)	Grommet, Blind	1
▲	20 9007969	(10448305- 10742212)	Controller Kit, Replmt [Ec- H2o]	1
▲	21 1018155	(10448305- 10742212)	Screw, Pan, Phl, M5 X 0.80 X 16, Tcut,Ss	8

▽ ASSEMBLY

▲ INCLUDED IN ASSEMBLY

STANDARD PARTS

ec-H2O MODULE ASSEMBLY BREAKDOWN, 9006161 (S/N 10378380- 10448304)



ec-H2O MODULE ASSEMBLY BREAKDOWN, 9006161 (S/N 10378380- 10448304)

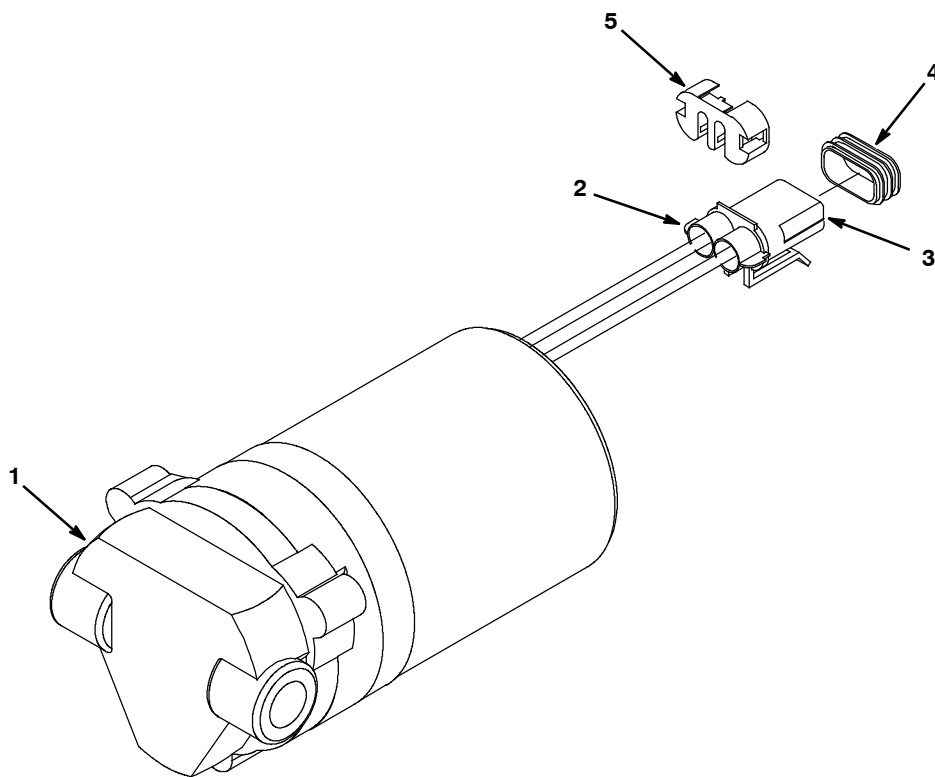
Ref.	Part No.	Serial Number	Description	Qty.
▽	9006161	(10378380- 10448304)	Module Kit, Replmt [Ec- H2o]	1
▲	1 1037032	(10378380-)	Housing, Bottom	1
▲	2 1054776	(10378380-)	Grommet, Blind	1
▲	3 609062	(10378380- 10448304)	Screw, Trs, Phl, 08- 32 X 0.38, Ss	1
▲	4 578860	(10378380- 10448304)	Screw, Pan, Phl, 04- 40 X 0.31, Pl	2
▲	5 3701.6	(10378380- 10448304)	Screw, Pan, Phl, 06- 32 X 0.38, Shtmtl,Ss	4
▲	6 613735	(10378380-)	Clamp, Hose, Wir, .40 - .42, Yel	1
▲	7 9004606	(10378380- 10448304)	Hose, Pvc, Brd, .25id .45od 46l, Clr	1
▲	8 1049637	(10378380-)	Label, Direction [Ec- H2o]	1
▲	9 140826	(10378380- 10448304)	Screw, Pan, 06- 32 X 0.75, Fmg/Ab, Ss	4
▲	10 578820000	(10378380-)	Hose, Pvc, Brd, 0.25id 0.44od 157.2l,Clr	1
▲	11 603654	(10378380-)	Clamp, Hose, Ear, .44d [Ctb]	4
▲	12 1037595	(10378380-)	Fitting, Plstc, E90, Bm04/Pm02, Nyl	2
▲	13 140801	(10378380- 10448304)	Screw, Trs, Phl, 08- 32 X 0.38, Ss	2
▲	14 1013236	(10378380-)	Valve, Shutoff, Ele, 24vdc	1
▲	15 1045030	(10378380-)	Fitting, Brs, Str, Pm02/Pm02	1
▲	16 1038159	(10378380-)	Electrode, Cylindrical	1
▲	17 N/A	(10378380- 10448304)	Replaced By E- Cell Upgrade Kit P/N 9006324 (Includes Items 1- 17 On Page 63)	1
▲	18 1018155	(10378380-)	Screw, Pan, Phl, M5 X 0.80 X 16, Tcut,Ss	8
▲	19 1044393	(10378380-)	Switch, Rocker, Spst, Mom,	1
▲	20 9006159	(10378380-)	Controller Kit, Replmt [Ec- H2o]	1
▲	21 1044399	(10378380- 10448304)	Harness, Main, Controller [Ec- H2o, P3]	1

▽ ASSEMBLY

▲ INCLUDED IN ASSEMBLY

STANDARD PARTS

1042495 SOLUTION PUMP BREAKDOWN

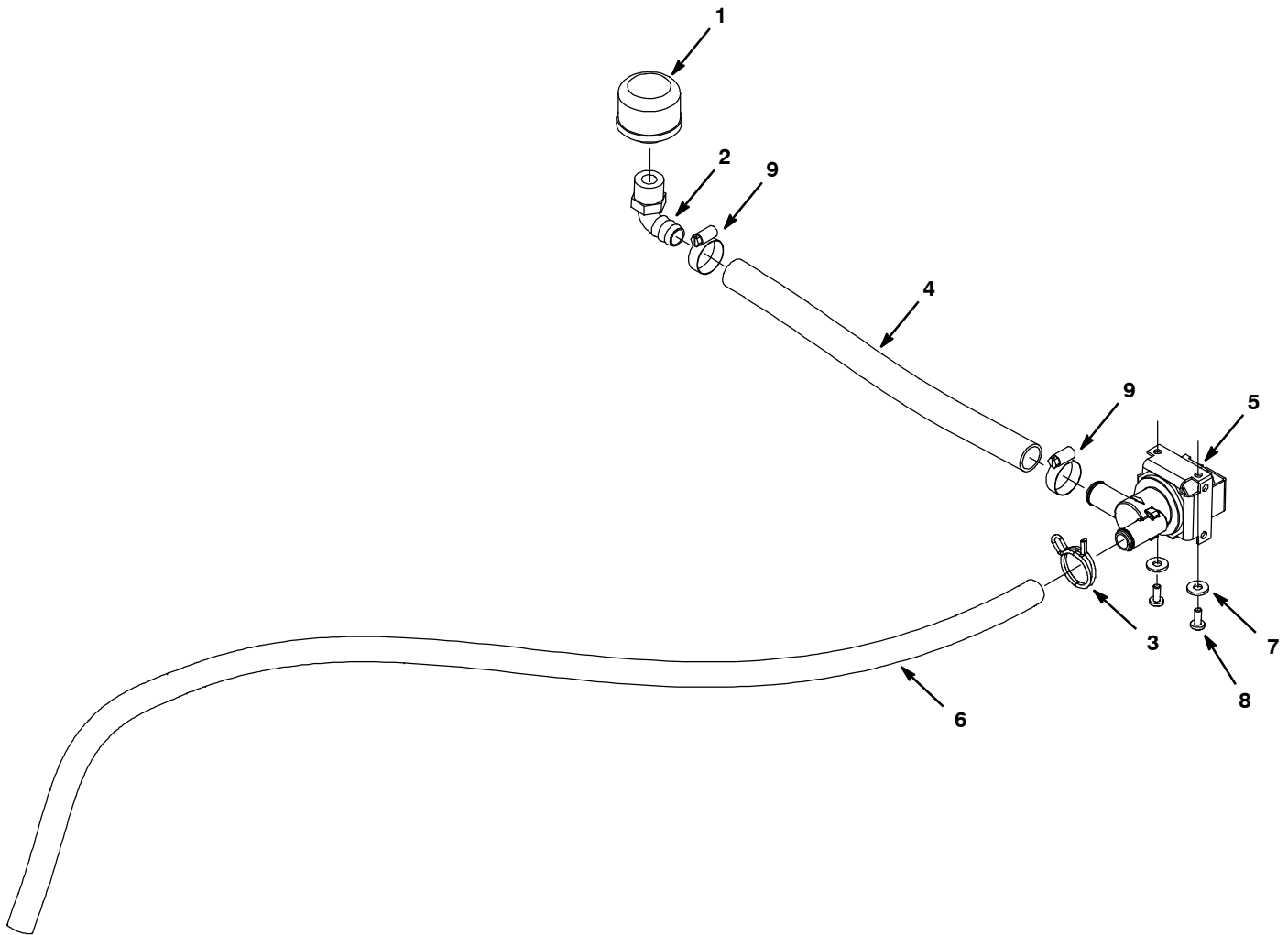


Ref.	Part No.	Serial Number	Description	Qty.	
▽	1042495	(10378380-) Pump, Soltn, Ele, 24vdc, 35psi	1	
▲	1	9004759	(10378380-) Pump Kit, Head, Soltn [Echo]	1
▲	2	78950	(10378380-) Connector, Fem, 02cav, Mp280 Sealed	1
▲	3	78951	(10378380-) Terminal, Fem, Mp280, Sealed, 18- 16ga	1
▲	4	10917	(10378380-) Seal, Wire, 14/16ga [Wp / Mp280 Sealed]	1
▲	5	78952	(10378380-) Lock, Secondary, 2cav, Mp280 Sealed	1

▽ ASSEMBLY

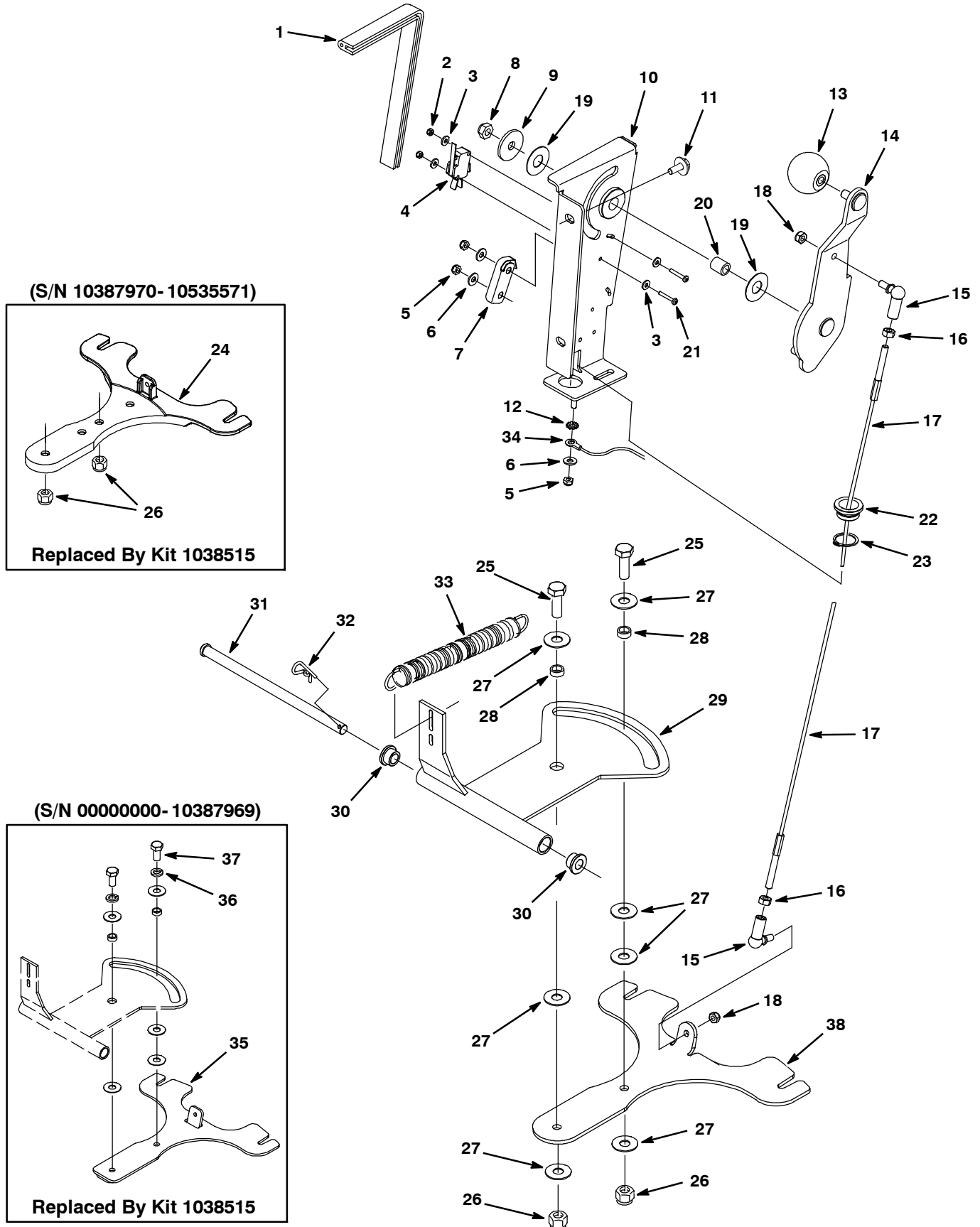
▲ INCLUDED IN ASSEMBLY

SOLUTION GROUP, STANDARD MODEL



Ref.	Part No.	Serial Number	Description	Qty.
1	1015522	(00000000-) Filter, Screen, 080 Mesh, Pf08, Ss	1
2	630371	(00000000-) Fitting, Plstc, E90, Bm10/Pm08	1
3	1041978	(00000000-) Clamp, Hose, Wir, .85 - .90, Silver	1
4	1035355	(00000000-) Hose, Afmkt, Pvc, Clr, 0.62id, 02ft	1
5	1013599	(00000000-) Valve, Water, Solenoid, 24vdc, 10bm/10bm	1
6	613531	(00000000-) Tubing 1/2idx3/4od Vinyl 611259 Ft 3.750	1
7	01683	(00000000-) Washer, Flat, 10, Ss	2
8	09200	(00000000-) Screw, Pan, Phl, M5 X 0.80 X 12, Ss	2
9	54333	(00000000-) Clamp, Hose, Wormdrive, 0.31-0.88d, .31w	2

SQUEEGEE LIFT GROUP



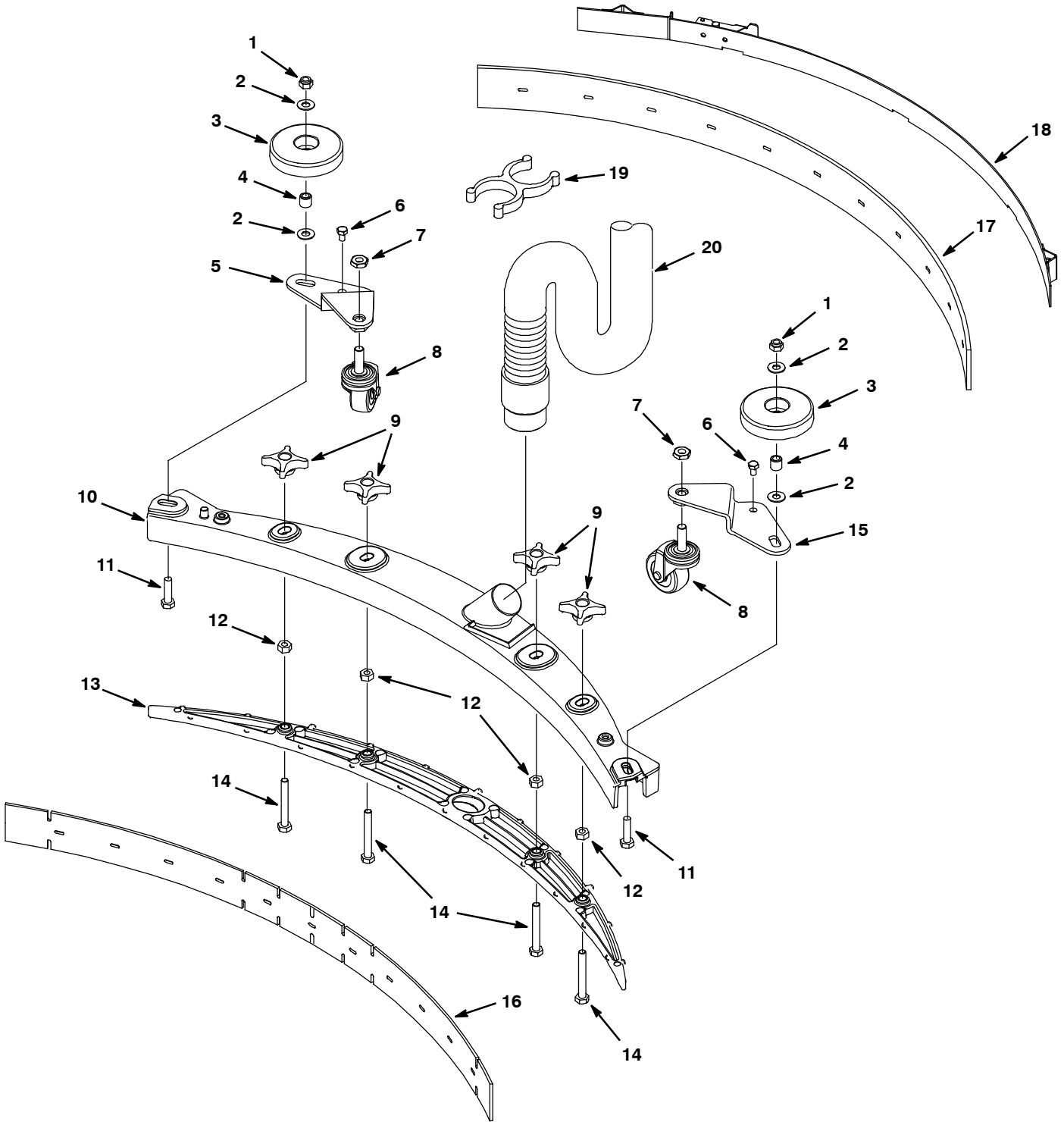
SQUEEGEE LIFT GROUP

Ref.	Part No.	Serial Number	Description	Qty.	
1	1008675	(00000000-) Gasket, Edge, Foam, 24.00l [Fr]	1	
2	579211	(00000000-) Nut, Hex, Lock, M3 X .5, Ss	2	
3	41578	(00000000-) Washer, Flat, #06, Ss	4	
4	1012568	(00000000-) Switch, Snap, 10a, Short	1	
5	09739	(00000000-) Nut, Hex, Lock, M5 X 0.8, NI, Ss	3	
6	01683	(00000000-) Washer, Flat, #10, Ss	3	
7	1024060	(00000000-) Spring, Lever, Sqge, W/ 90° Bend	1	
8	08713	(00000000-) Nut, Hex, Lock, M8 X 1.25, NI, Ss	1	
9	1016331	(00000000-) Washer, Flat, 0.34b 1.25d .11, Ss	1	
10	1020922	(00000000-) Bracket, Lift, Sqge	1	
11	1034731	(00000000-) Screw, Hex, M6 X 1.00 X 16, Sems, Ss	2	
12	140052	(00000000-) Washer, Lock, Ext, 0.25 Ss	1	
13	1017156	(00000000-) Knob, Ball, M8 Insert, 40mmd, Plstc	1	
14	1024354	(00000000-) Lever, Sqge	1	
15	1012747	(00000000-) Balljoint, M6 X 1.0 Fem, M6 X 1.0 Mal	2	
16	07785	(00000000-) Nut, Hex, Std, M6 X 1.00, A2, Ss	2	
17	1024105	(00000000-) Cable, Lift, Sqge	1	
18	08712	(00000000-) Nut, Hex, Lock, M6 X 1.0, Ss, NI	2	
19	1013397	(00000000-) Washer, Flat, M13 X 30 X 0.8, Nyl	2	
20	1014336	(00000000-) Sleeve, P/M, 8.40b 12.60d 14.5l, PI	1	
21	06922	(00000000-) Screw, Pan, M3 X 0.5 X 20, 4.8	2	
22	1009363	(00000000-) Bushing, Cable	1	
23	621236	(00000000-) Ring, Retaining, Ext, 0.81d	1	
▽	24	1038515	(10387970- 10535571) Bracket Kit, Sqge, Conversion [T5]	1	
▲	25	12309	(10387970-) Screw, Hex, M12 X 1.75 X 30, Ss	2
▲	26	09741	(10387970-) Nut, Hex, Lock, M12 X 1.75, NI, Ss	2
▲	27	140045	(00000000-) Washer, Flat, 0.51b 1.25d .06, Ss	7
▲	28	1013662	(00000000-) Bushing, Sleeve, 12mm 16mm 6.5mml, Pm Yw	2
	29	1020974	(00000000-) Bracket Wldt, Pivot, Sqge	1
	30	606058	(00000000-) Bearing, Flng .505id .753od	2
	31	1026232	(00000000-) Pin, Clevis, 0.50 D X 9.25l	1
	32	140626	(00000000-) Pin, Hair Cotter, 0.25 D .125 Wir	1
	33	140423	(00000000-) Spring, Brush Press	1
	34	1029310	(00000000-) Harness, Ground, 12 Awg	1
	35	1024215	(00000000- 10387969) Bracket Wldt, Mtg, Sqg [T5] (REPLACED BY 1038515)	1	
	36	140024	(00000000- 10387969) Washer, Lock, Split, 0.50, Ss	2	
	37	1033003	(00000000- 10387969) Screw, Hex, M12 X 1.75 X 25, NI, Ss	2	
	38	1066260	(10535572-) Bracket, Mtg, Sqge, Stl [T5]	1

▽ ASSEMBLY

▲ INCLUDED IN ASSEMBLY

SQUEEGEE GROUP, 20 in / 500 mm



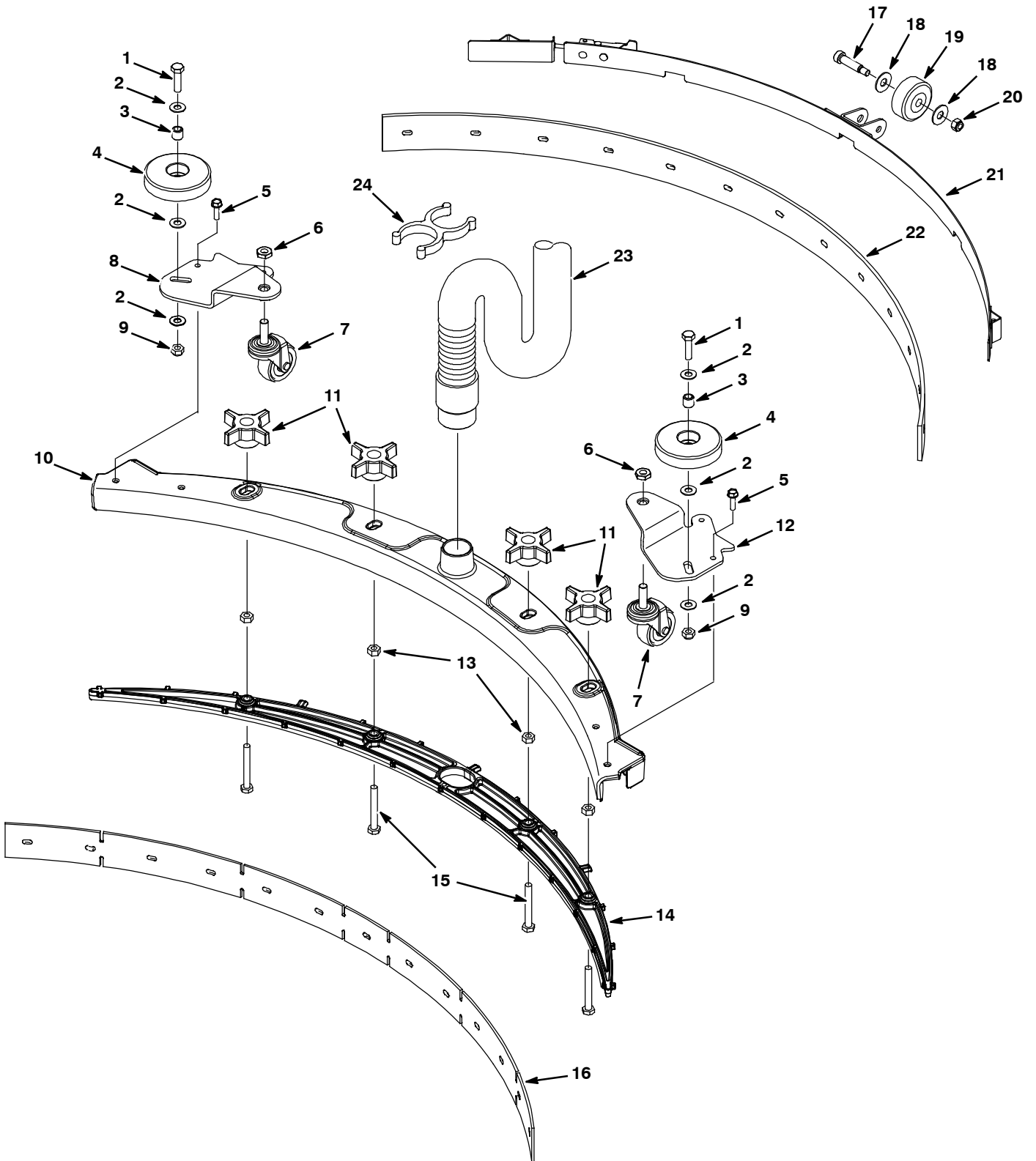
SQUEEGEE GROUP, 20 in / 500 mm

Ref.	Part No.	Serial Number	Description	Qty.
▽	9001178	(00000000-) Squeegee Assy Kit, 500mm, Ci	1
▲	1 08713	(00000000-) Nut, Hex, Lock, M8 X 1.25, NI, Ss	2
▲	2 140027	(00000000-) Washer, Flat, 0.35b 0.75d .04, Ss	4
▲	3 1010560	(00000000-) Wheel, Bmpr, 80d X 25w, Non- Marking	2
▲	4 222460	(00000000-) Sleeve, P/M, 0.31b 0.50d 0.5l [430ss]	2
▲	5 1011228	(00000000-) Plate, Mtg, Caster, Sqge, Rh	1
▲	6 74455	(00000000-) Screw, Hex, M6 X 1.0 X 12, Fmg	2
▲	7 32716	(00000000-) Nut, Hex, Jam, M10 X 1.5, Ss	2
▲	8 1006343	(00000000-) Caster, Swivel, 50mmd, M10 X 30 Stem, PI	2
▲	9 1010558	(00000000-) Knob, Star, 2.00d 4ear 0.7l M8x1.25 Thru	4
▲	10 1011163	(00000000-) Frame, Sqge, 74cm, Die Cast [50cm]	1
▲	11 09011	(00000000-) Screw, Hex, M8 X 1.25 X 30, Ss	2
▲	12 07786	(00000000-) Nut, Hex, Std, M8 X 1.25, Ss	4
▲	13 1019919	(00000000-) Retainer, Sqge, 76cm [50cm] Nyl, Blk	1
▲	14 1014163	(00000000-) Screw, Hex, M8 X 1.25 X 60, Fl, Ss	4
▲	15 1011956	(00000000-) Plate, Mtg, Caster, Sqge, Lh	1
▲	16 1011232	(00000000-) Blade, Sqge, Front, 500mml (Standard)	1
	16 1014091	(00000000-) Blade, Sqge, Front, 500mm, Gum (Optional)	1
	16 1014092	(00000000-) Blade, Sqge, Front, 500mml, Oil- Rstn (Optional)	1
▲	17 1011456	(00000000-) Blade, Sqge, Rear, 500mm Linatex (Standard)	1
	17 1014093	(00000000-) Blade, Sqge, Rear, 500mm Gum (Optional)	1
	17 1014094	(00000000-) Blade, Sqge, Rear, 500mm Oil- Rstn (Optional)	1
▲	18 1013933	(00000000-) Strap Assy, Sqge, 500mm	1
	19 1014079	(00000000-) Clip, Grip, Hose, 1.50id, Dbl, Blk Pyp	1
	20 1014026	(00000000-) Hose, Vacuum, 1.5d X 57l, 2- Short Cuffs	1

▽ ASSEMBLY

▲ INCLUDED IN ASSEMBLY

SQUEEGEE GROUP, 24 in / 600 mm



SQUEEGEE GROUP, 24 in / 600 mm

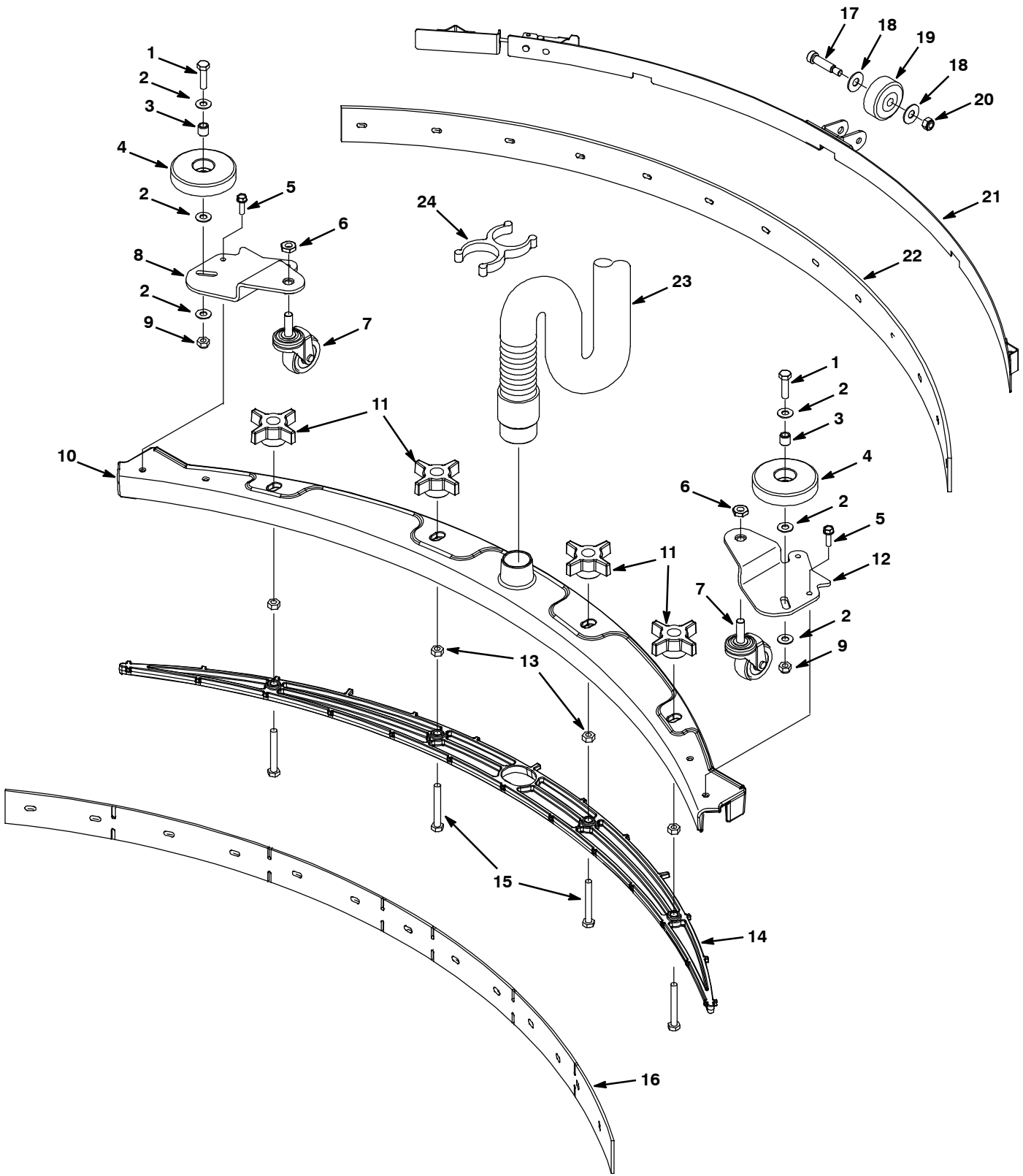
Ref.	Part No.	Serial Number	Description	Qty.
▽	9002679	(00000000-) Kit, Squeegee, 600mm Ci	1
▲	1 09011	(00000000-) Screw, Hex, M8 X 1.25 X 30, Ss	2
▲	2 140027	(00000000-) Washer, Flat, 0.35b 0.75d .04, Ss	6
▲	3 222460	(00000000-) Sleeve, P/M, 0.496d 0.318b 0.50l 430ss	2
▲	4 1010560	(00000000-) Wheel, Bmpr, 80d X 25w, Non- Marking	2
▲	5 12459	(00000000-) Screw, Hex, M6 X 1.0 X 20, Fmg	4
▲	6 32716	(00000000-) Nut, Hex, Jam, M10 X 1.5, Ss	2
▲	7 1006343	(00000000-) Caster, Swivel, 50mm D, M10 X 30 Stem,Zn	2
▲	8 1023273	(00000000-) Plate, Caster, Mtg, Sqge, Rh	1
▲	9 08713	(00000000-) Nut, Hex, Lock, M8 X 1.25, NI, Ss	2
▲	10 1021798	(00000000-) Frame, Sqge, 89cm [60cm]	1
▲	11 1054375	(00000000-) Knob, Star, 2.75d 4ear 1.1l M8x1.25, Thru	4
▲	12 1023291	(00000000-) Plate, Caster, Mtg, Sqge, Lh	1
▲	13 07786	(00000000-) Nut, Hex, Std, M8 X 1.25, Ss	4
▲	14 1026354	(00000000-) Retainer , Blade, Sqge, 600mm [Plstc]	1
▲	15 1014163	(00000000-) Screw, Hex, M8 X 1.25 X 60, Fl, Ss	4
▲	16 1021804	(00000000-) Blade, Sqge, Front, 88cml [Lnx, 60cm] (Standard)	1
	16 1025333	(00000000-) Blade, Sqge, Front, 88cml, Gum [60cm] (Optional)	1
	16 1025334	(00000000-) Blade, Sqge, Front, 88cml, Ure [60cm] (Optional)	1
▲	17 600187	(00000000-) Bolt, Shld, .38d X 1.25, .31- 18	1
▲	18 140028	(00000000-) Washer, Flat, 0.42b 1.00d .05, Ss	2
▲	19 630477	(00000000-) Wheel, Pyu, 2.0d 0.38w, Gray	1
▲	20 32983	(00000000-) Nut, Hex, Lock, .31- 18, NI	1
▲	21 1022456	(00000000-) Retainer Assy, Blade, Sqge, 600mm	1
▲	22 1021333	(00000000-) Blade, Sqge, Rear, 88cm,Linatex[60cm] (Standard)	1
	22 1025335	(00000000-) Blade, Sqge, Rear, 88cml, Gum [60cm] (Optional)	1
	22 1025336	(00000000-) Blade, Sqge, Rear, 88cm, Ure [60cm] (Optional)	1
	23 1014026	(00000000-) Hose, Vacuum, 1.5d X 57l, 2- Short Cuffs	1
	24 1014079	(00000000-) Clip, Hose, Gripper, 1.50id, Dbl, Blk Pp	1

▽ ASSEMBLY

▲ INCLUDED IN ASSEMBLY

STANDARD PARTS

SQUEEGEE GROUP, 26 in / 650 mm & 28 in / 700 mm



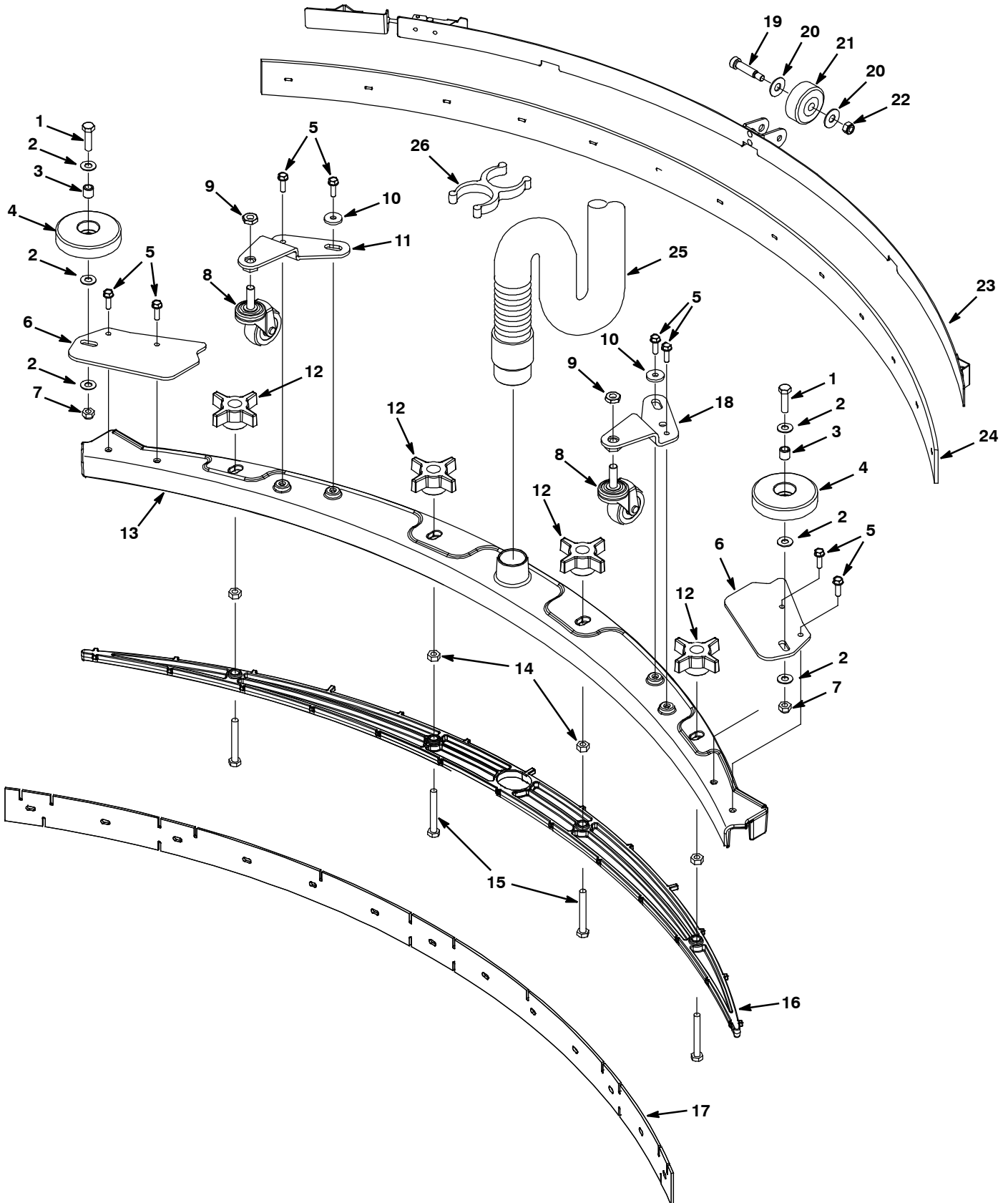
SQUEEGEE GROUP, 26 in / 650 mm & 28 in / 700 mm

Ref.	Part No.	Serial Number	Description	Qty.
▽	9002680	(00000000-) Kit, Squeegee, 700mm Ci	1
▲	1 09011	(00000000-) Screw, Hex, M8 X 1.25 X 30, Ss	2
▲	2 140027	(00000000-) Washer, Flat, 0.35b 0.75d .04, Ss	6
▲	3 222460	(00000000-) Sleeve, P/M, 0.496d 0.318b 0.50l 430ss	2
▲	4 1010560	(00000000-) Wheel, Bmpr, 80d X 25w, Non- Marking	2
▲	5 12459	(00000000-) Screw, Hex, M6 X 1.0 X 20, Fmg	4
▲	6 32716	(00000000-) Nut, Hex, Jam, M10 X 1.5, Ss	2
▲	7 1006343	(00000000-) Caster, Swivel, 50mm D, M10 X 30 Stem,Zn	2
▲	8 1023273	(00000000-) Plate, Caster, Mtg, Sqge, Rh	1
▲	9 08713	(00000000-) Nut, Hex, Lock, M8 X 1.25, NI, Ss	2
▲	10 1023326	(00000000-) Frame, Sqge, 104cm [70cm]	1
▲	11 1054375	(00000000-) Knob, Star, 2.75d 4ear 1.1l M8x1.25, Thru	4
▲	12 1023291	(00000000-) Plate, Caster, Mtg, Sqge, Lh	1
▲	13 07786	(00000000-) Nut, Hex, Std, M8 X 1.25, Ss	4
▲	14 1026416	(00000000-) Retainer, Blade, Sqge, 700mm [Plstc]	1
▲	15 1014163	(00000000-) Screw, Hex, M8 X 1.25 X 60, Fl, Ss	4
▲	16 1023327	(00000000-) Blade, Sqge, Front, 98cml [Lnx, 70cm] (Standard)	1
	16 1025337	(00000000-) Blade, Sqge, Front, 98cml, Gum [70cm] (Optional)	1
	16 1025339	(00000000-) Blade, Sqge, Front, 98cml, Ure [70cm] (Optional)	1
▲	17 600187	(00000000-) Bolt, Shld, .38d X 1.25, .31- 18	1
▲	18 140028	(00000000-) Washer, Flat, 0.42b 1.00d .05, Ss	2
▲	19 630477	(00000000-) Wheel, Pyu, 2.0d 0.38w, Gray	1
▲	20 32983	(00000000-) Nut, Hex, Lock, .31- 18, NI	1
▲	21 1023335	(00000000-) Bracket Wldt, Sqge, Band Clamp, 98cm	1
▲	22 1023329	(00000000-) Blade, Sqge, Rear, 98cm,Linatex[70cm] (Standard)	1
	22 1025340	(00000000-) Blade, Sqge, Rear, 98cml, Gum [70cm] (Optional)	1
	22 1025341	(00000000-) Blade, Sqge, Rear, 98cm, Ure [70cm] (Optional)	1
	23 1014026	(00000000-) Hose, Vacuum, 1.5d X 57l, 2- Short Cuffs	1
	24 1014079	(00000000-) Clip, Hose, Gripper, 1.50id, Dbl, Blk Pp	1

▽ ASSEMBLY

▲ INCLUDED IN ASSEMBLY

SQUEEGEE GROUP, 32 in / 800 mm



SQUEEGEE GROUP, 32 in / 800 mm

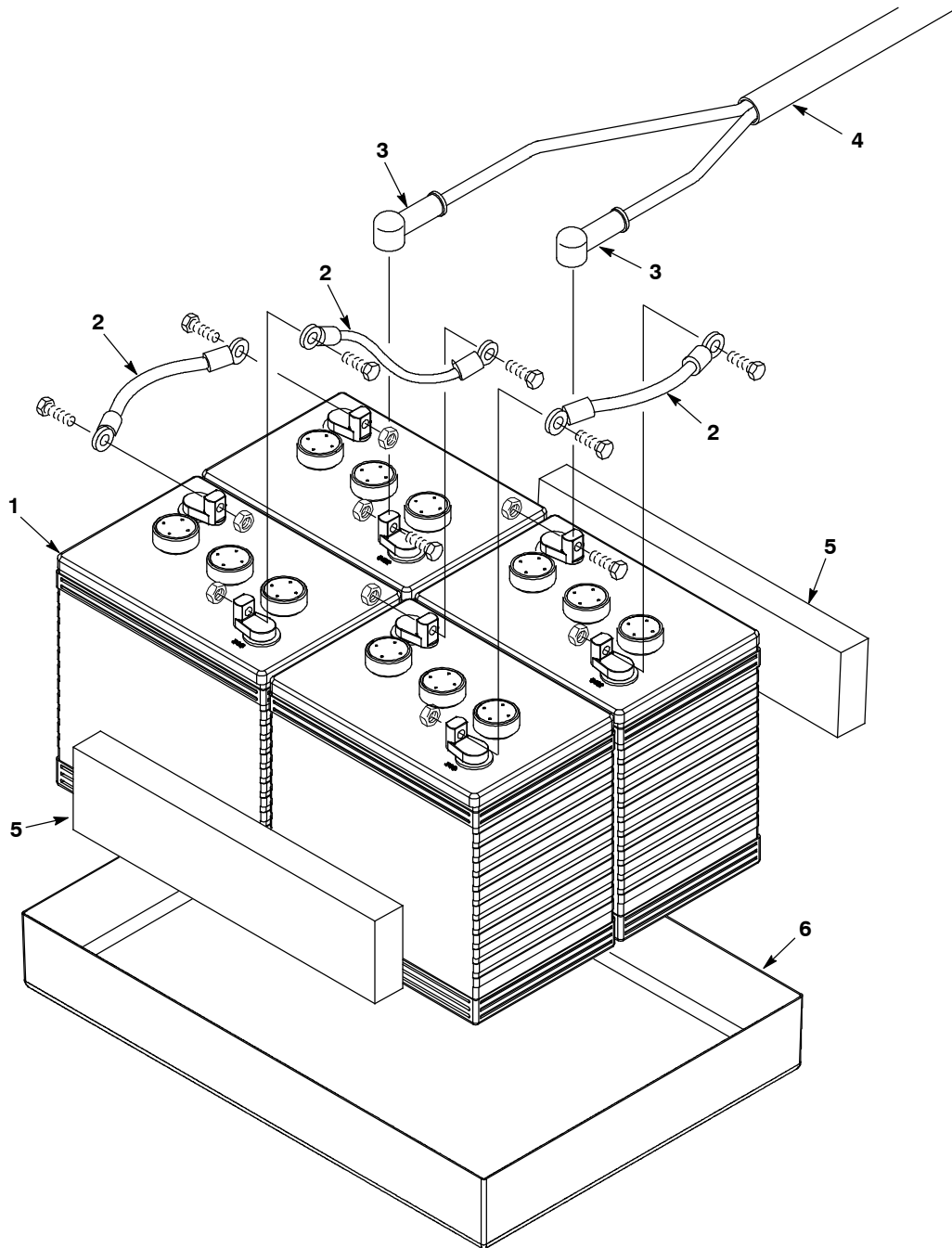
Ref.	Part No.	Serial Number	Description	Qty.
▽	9002681	(00000000-) Kit, Squeegee, 800mm Ci	1
▲	1 09011	(00000000-) Screw, Hex, M8 X 1.25 X 30, Ss	2
▲	2 140027	(00000000-) Washer, Flat, 0.35b 0.75d .04, Ss	6
▲	3 222460	(00000000-) Sleeve, P/M, 0.496d 0.318b 0.50l 430ss	2
▲	4 1010560	(00000000-) Wheel, Bmpr, 80d X 25w, Non- Marking	2
▲	5 12459	(00000000-) Screw, Hex, M6 X 1.0 X 20, Fmg	8
▲	6 1023426	(00000000-) Bracket, Mtg, Sqge Bumper	2
▲	7 08713	(00000000-) Nut, Hex, Lock, M8 X 1.25, NI, Ss	2
▲	8 1006343	(00000000-) Caster, Swivel, 50mm D, M10 X 30 Stem,Zn	2
▲	9 32716	(00000000-) Nut, Hex, Jam, M10 X 1.5, Ss	2
▲	10 140053	(00000000-) Washer, Flat, 0.28b 0.88d .12, Ss	2
▲	11 1011228	(00000000-) Plate, Mtg, Caster, Sqge, Rh	1
▲	12 1054375	(00000000-) Knob, Star, 2.75d 4ear 1.1l M8x1.25, Thru	4
▲	13 1023396	(00000000-) Frame, Sqge, 117cm [80cm]	1
▲	14 07786	(00000000-) Nut, Hex, Std, M8 X 1.25, Ss	4
▲	15 1014163	(00000000-) Screw, Hex, M8 X 1.25 X 60, Fl, Ss	4
▲	16 1024970	(00000000-) Retainer, Blade, Sqge, 800mm [Plstc]	1
▲	17 1023398	(00000000-) Blade, Sqge, Front, 105cm [Linx 80cm] (Standard)	1
	17 1025342	(00000000-) Blade, Sqge, Front, 105cml, Gum[80cm] (Optional)	1
	17 1025343	(00000000-) Blade, Sqge, Front, 105cm, Ure [80cm] (Optional)	1
▲	18 1011956	(00000000-) Plate, Mtg, Caster, Sqge, Lh	1
▲	19 600187	(00000000-) Bolt, Shld, .38d X 1.25, .31- 18	1
▲	20 140028	(00000000-) Washer, Flat, 0.42b 1.00d .05, Ss	2
▲	21 630477	(00000000-) Wheel, Pyu, 2.0d 0.38w, Gray	1
▲	22 32983	(00000000-) Nut, Hex, Lock, .31- 18, NI	1
▲	23 1023400	(00000000-) Retainer Assy, Blade, Sqge, 800mm	1
▲	24 1023399	(00000000-) Blade, Sqge, Rear, 105cml[Linx, 80cm] (Standard)	1
	24 1025344	(00000000-) Blade, Sqge, Rear, 105cml, Gum [80cm] (Optional)	1
	24 1025346	(00000000-) Blade, Sqge, Rear, 105cml, Ure [80cm] (Optional)	1
	25 1014026	(00000000-) Hose, Vacuum, 1.5d X 57l, 2- Short Cuffs	1
	26 1014079	(00000000-) Clip, Hose, Gripper, 1.50id, Dbl, Blk Pp	1

▽ ASSEMBLY

▲ INCLUDED IN ASSEMBLY

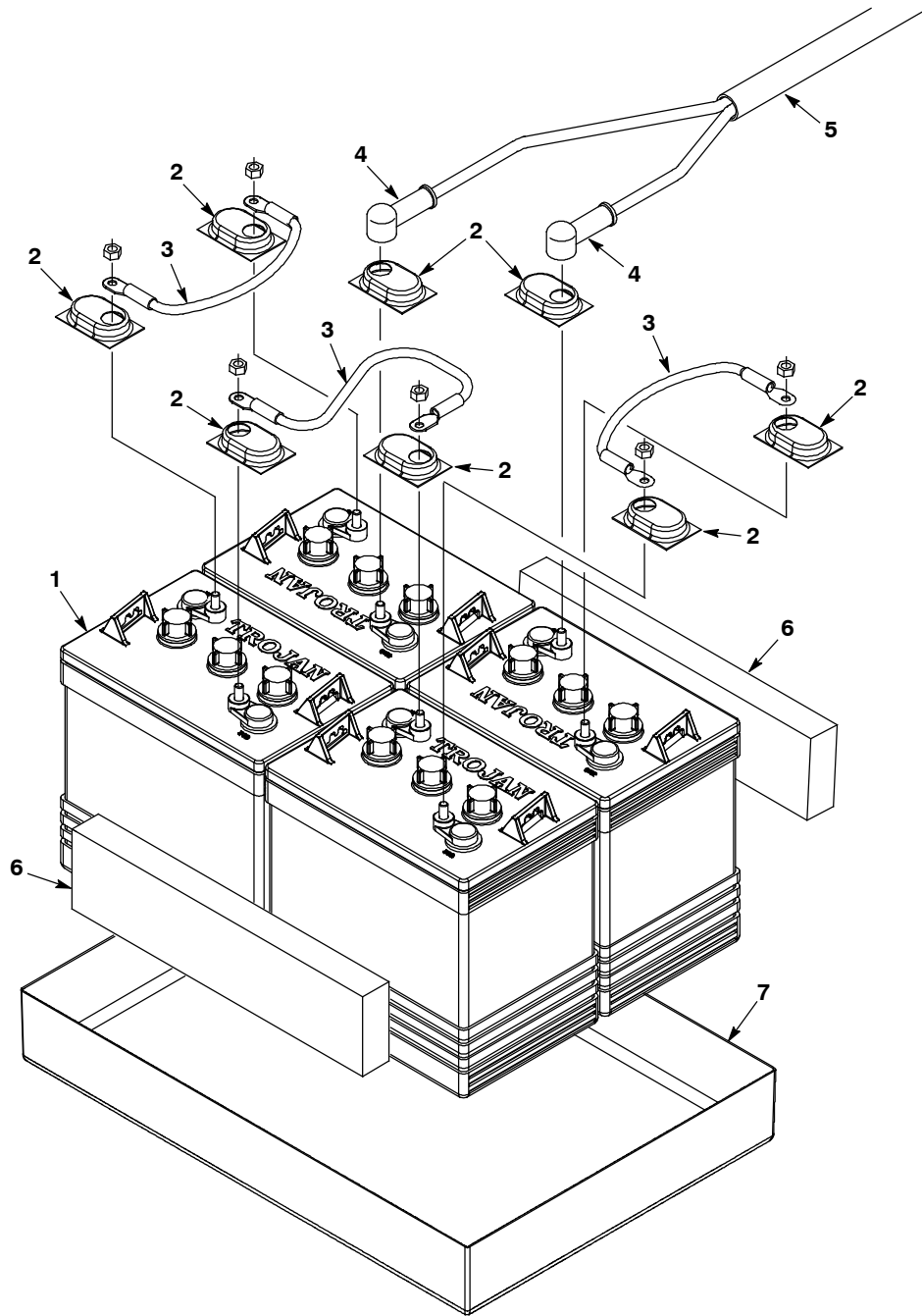
STANDARD PARTS

BATTERY GROUP, MAINTENANCE FREE 220 Ah



Ref.	Part No.	Serial Number	Description	Qty.
1	1074042	(00000000-) Battery, Agm, 06vdc, 220ah (Discover)	4
2	130364	(00000000-) Cable, 06ga 15.0l Blk .31ring /.38ring	3
3	611221	(00000000-) Boot, Terminal, Battery, 25.4mm, Blk	8
4	1067443	(10632988-) Harness, Battery, Fused, Us [T5]	1
4	1024479	(00000000-10632987) Harness, Battery, Us	1
5	630375	(00000000-) Spacer, Battery, 1.25 X 3.25 X 13.7 Foam	2
6	613971	(00000000-) Tray, Battery, Trimmed	1

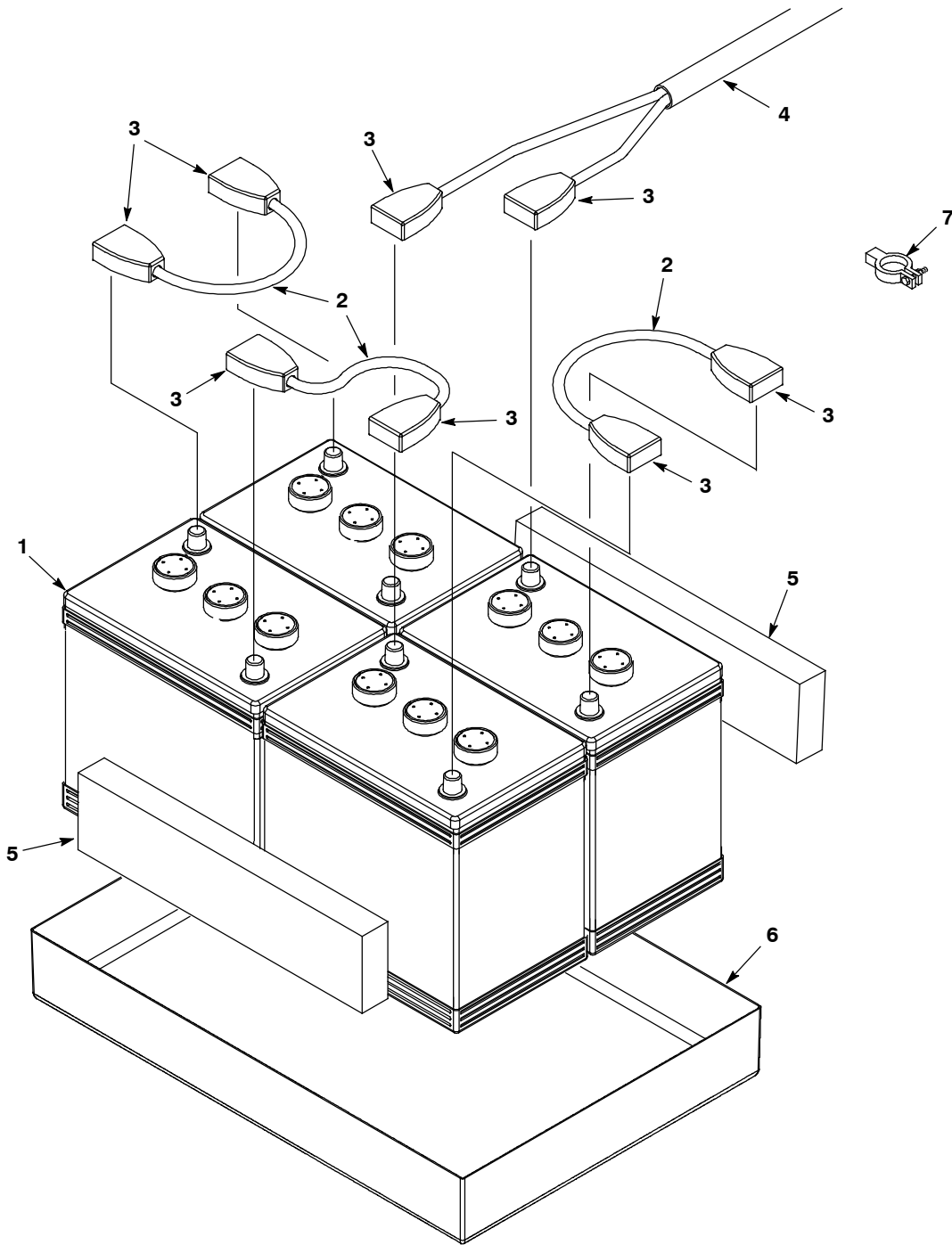
BATTERY GROUP, LEAD-ACID 235 Ah



Ref.	Part No.	Serial Number	Description	Qty.
1	222280	(00000000-) Battery, 06vdc, 235ah, Wet	4
2	45962	(00000000-) Cap, Plstc, .04 1.38 X 2.30 0.5l (Tall Clear - Standard)	8
2	1041030	(00000000-) Cap, Battery (Short Black - Optional)	8
3	130364	(00000000-) Cable, 06ga 15.0l Blk .31ring /.38ring	3
4	611221	(00000000-) Boot, Terminal, Battery, 25.4mm, Blk	8
5	1067443	(10632988-) Harness, Battery, Fused, Us [T5]	1
5	1024479	(00000000- 10632987) Harness, Battery, Us	1
6	630375	(00000000-) Spacer, Battery, 1.25 X 3.25 X 13.7 Foam	2
7	613971	(00000000-) Tray, Battery, Trimmed	1

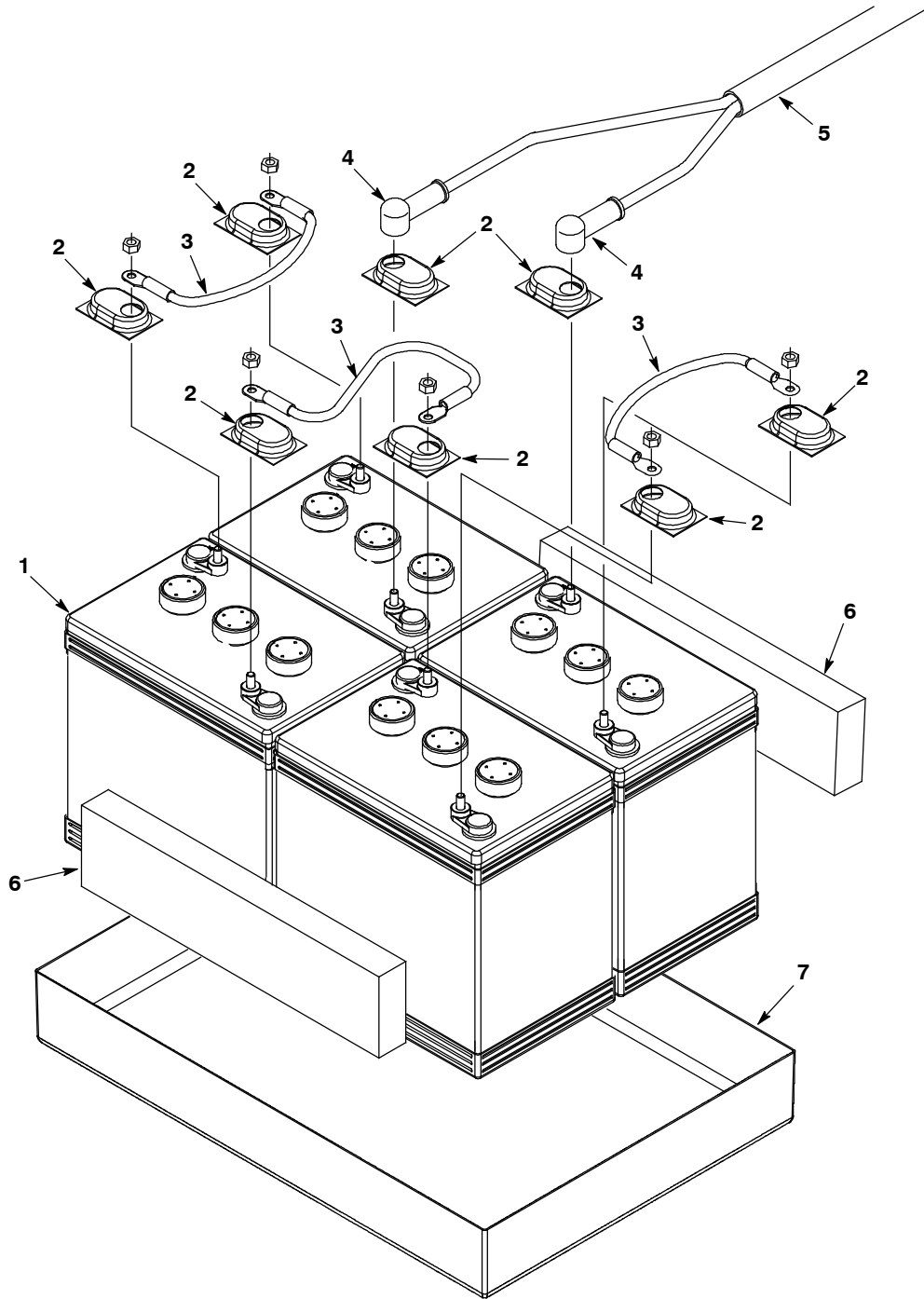
STANDARD PARTS

BATTERY GROUP, MAINTENANCE FREE 160 Ah (JAPAN)



Ref.	Part No.	Serial Number	Description	Qty.
1	994202	(00000000-)	Battery, 06vdc 165ah [5h, Gf061602]	4
2	130364	(00000000-)	Cable, 06ga 15.0l Blk .31ring /.38ring	3
3	989860	(00000000-)	Cover Set, Terminal, Battery	4
4	1067443	(10632988-)	Harness, Battery, Fused, Us [T5]	1
4	1024479	(00000000-10632987)	Harness, Battery, Us	1
5	630375	(00000000-)	Spacer, Battery, 1.25 X 3.25 X 13.7 Foam	2
6	613971	(00000000-)	Tray, Battery, Trimmed	1
7	93580	(00000000-)	Clamp, Post, Battery, Positive	4
7	93581	(00000000-)	Clamp, Post, Battery, Negative	4

BATTERY GROUP, LEAD ACID 180 Ah (JAPAN)

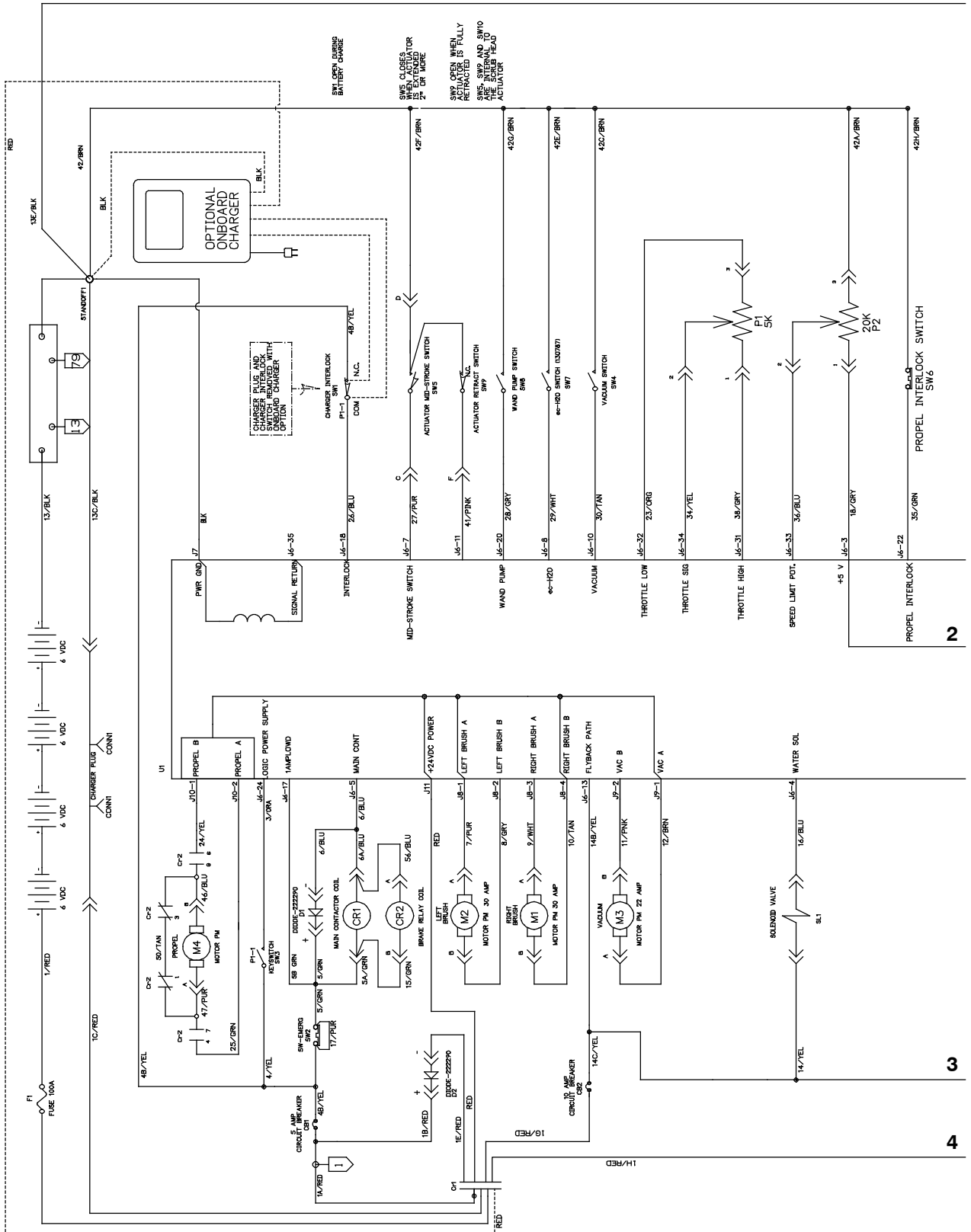


Ref.	Part No.	Serial Number	Description	Qty.
1	10155	(00000000-) Battery, Wet, 06vdc	4
2	45962	(00000000-) Cap, Plstc, .04 1.38 X 2.30 0.5l (Tall Clear - Standard)	8
2	1041030	(00000000-) Cap, Battery (Short Black - Optional)	8
3	130364	(00000000-) Cable, 06ga 15.0l Blk .31ring /.38ring	3
4	611221	(00000000-) Boot, Terminal, Battery, 25.4mm, Blk	8
5	1067443	(10632988-) Harness, Battery, Fused, Us [T5]	1
5	1024479	(00000000- 10632987) Harness, Battery, Us	1
6	630375	(00000000-) Spacer, Battery, 1.25 X 3.25 X 13.7 Foam	2
7	613971	(00000000-) Tray, Battery, Trimmed	1

ELECTRICAL DIAGRAM, STANDARD, FaST & ec-H2O MODELS
(S/N 10742213-)

1044406_G

1



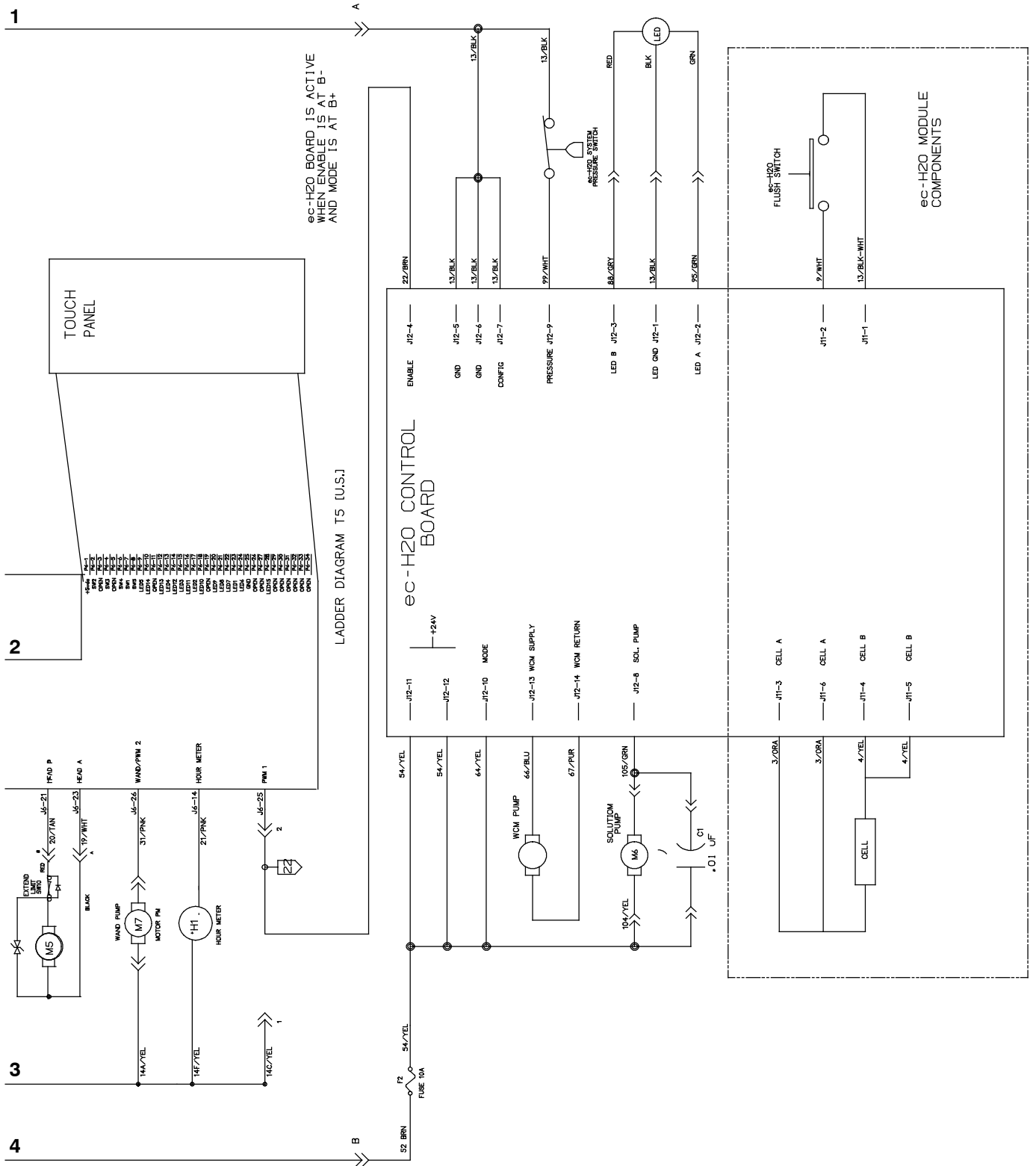
2

3

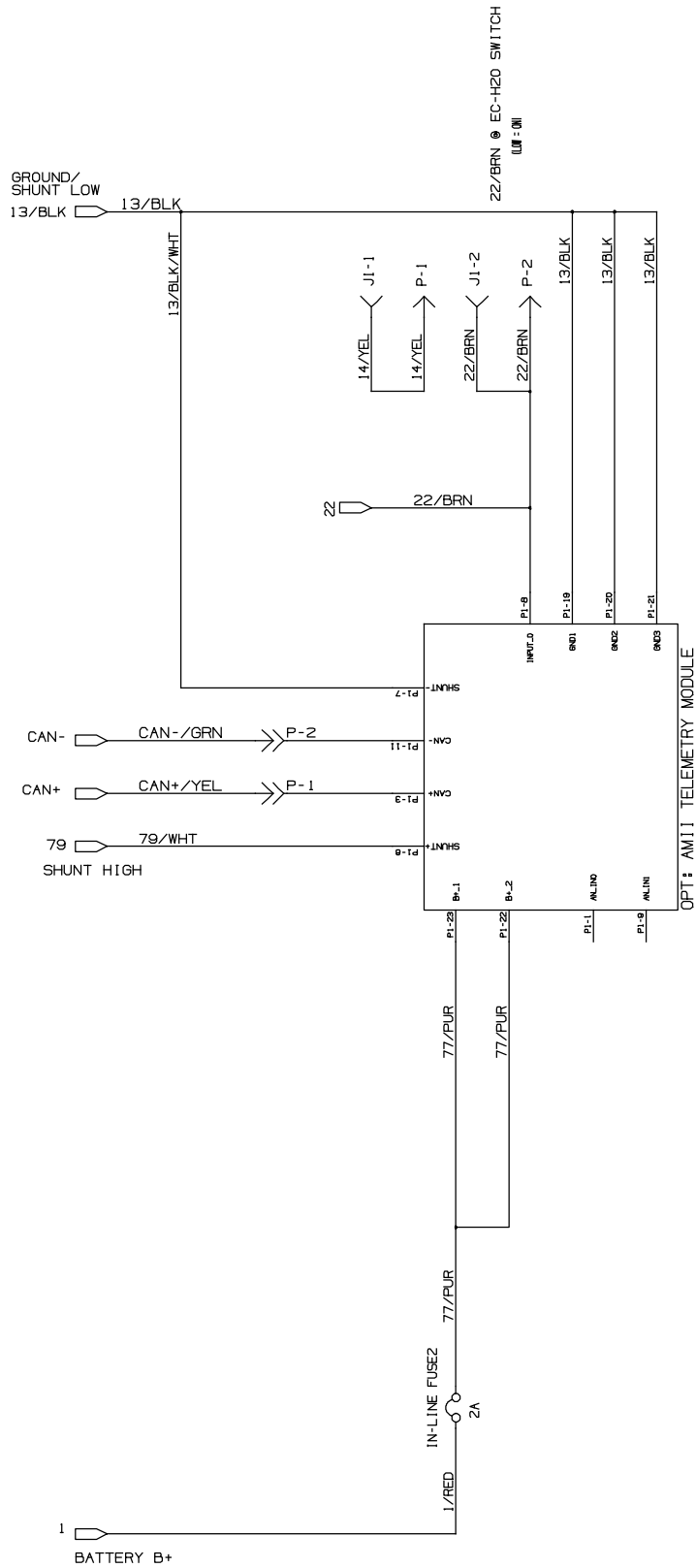
4

ELECTRICAL DIAGRAM, STANDARD, FaST & ec-H2O MODELS
(S/N 10742213-)

1044406_G



ELECTRICAL DIAGRAM, STANDARD, FaST & ec-H2O MODELS
(S/N 10742213-)



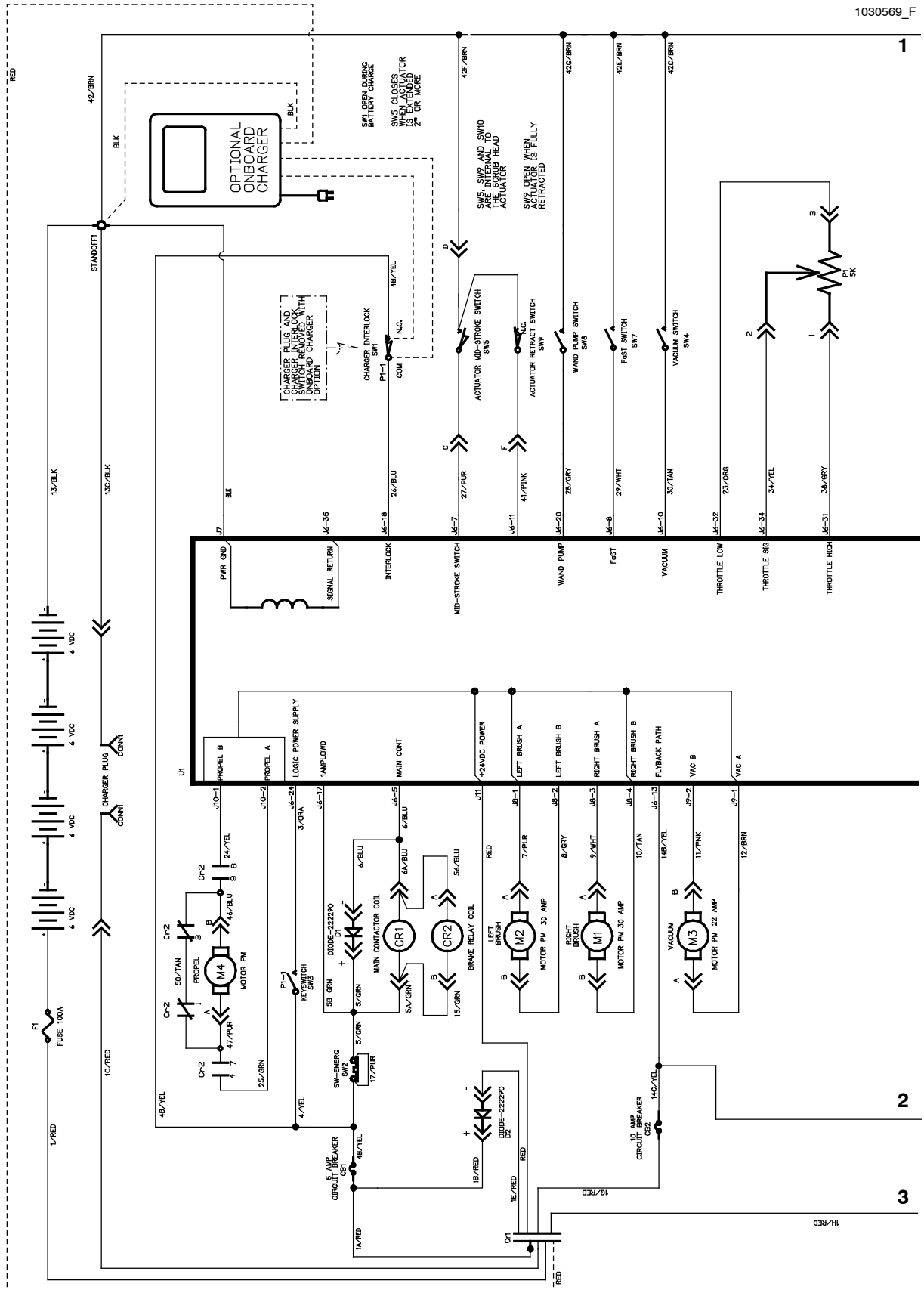
OPT. TELEMETRY ONLY
HARNESS #1074445

1044406_H

OPTIONAL :
TELEMETRY ONLY

ELECTRICAL DIAGRAM, STANDARD & FaST MODEL
(S/N 10632988- 10742212)

1030569_F



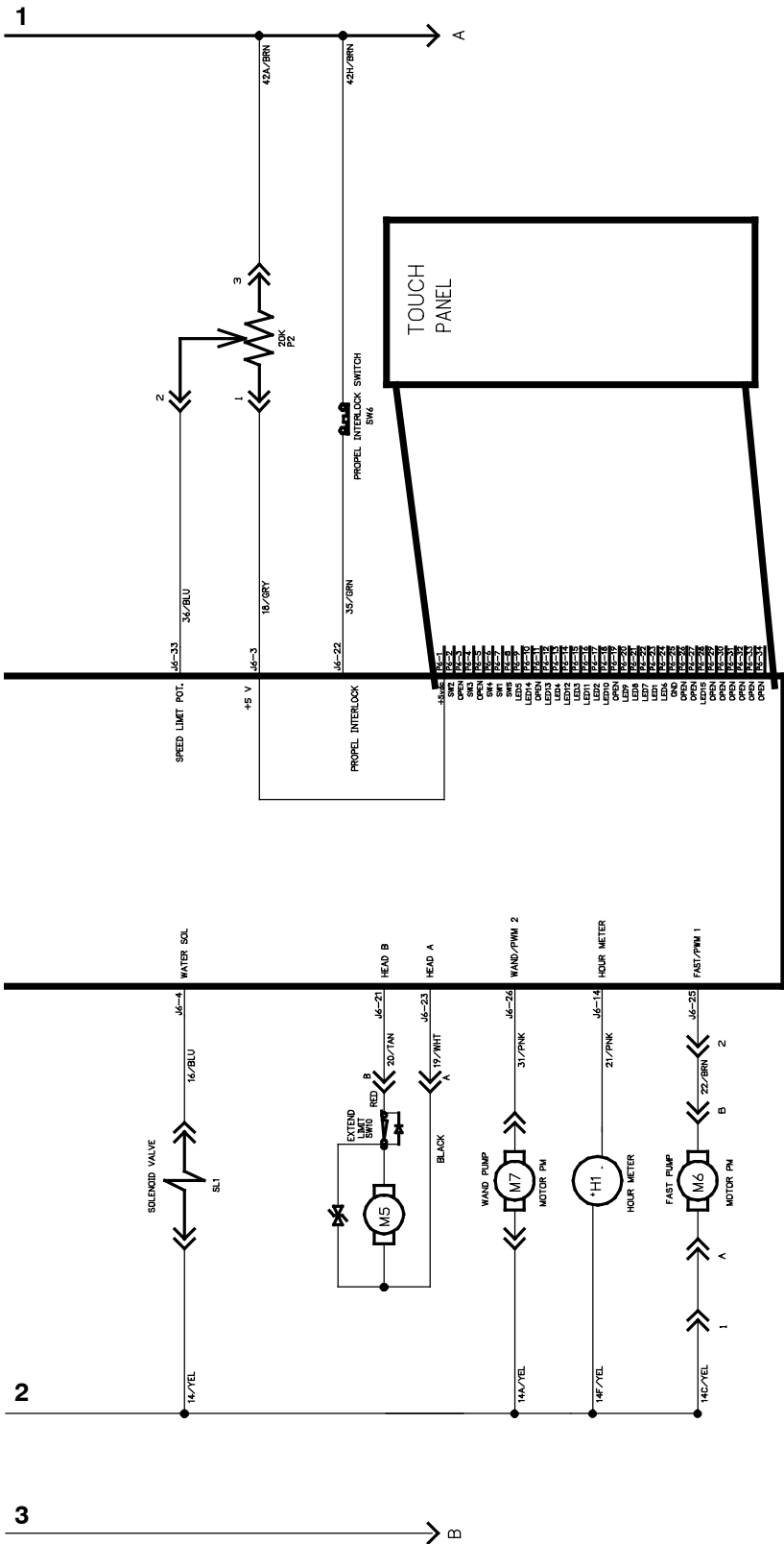
1

2

3

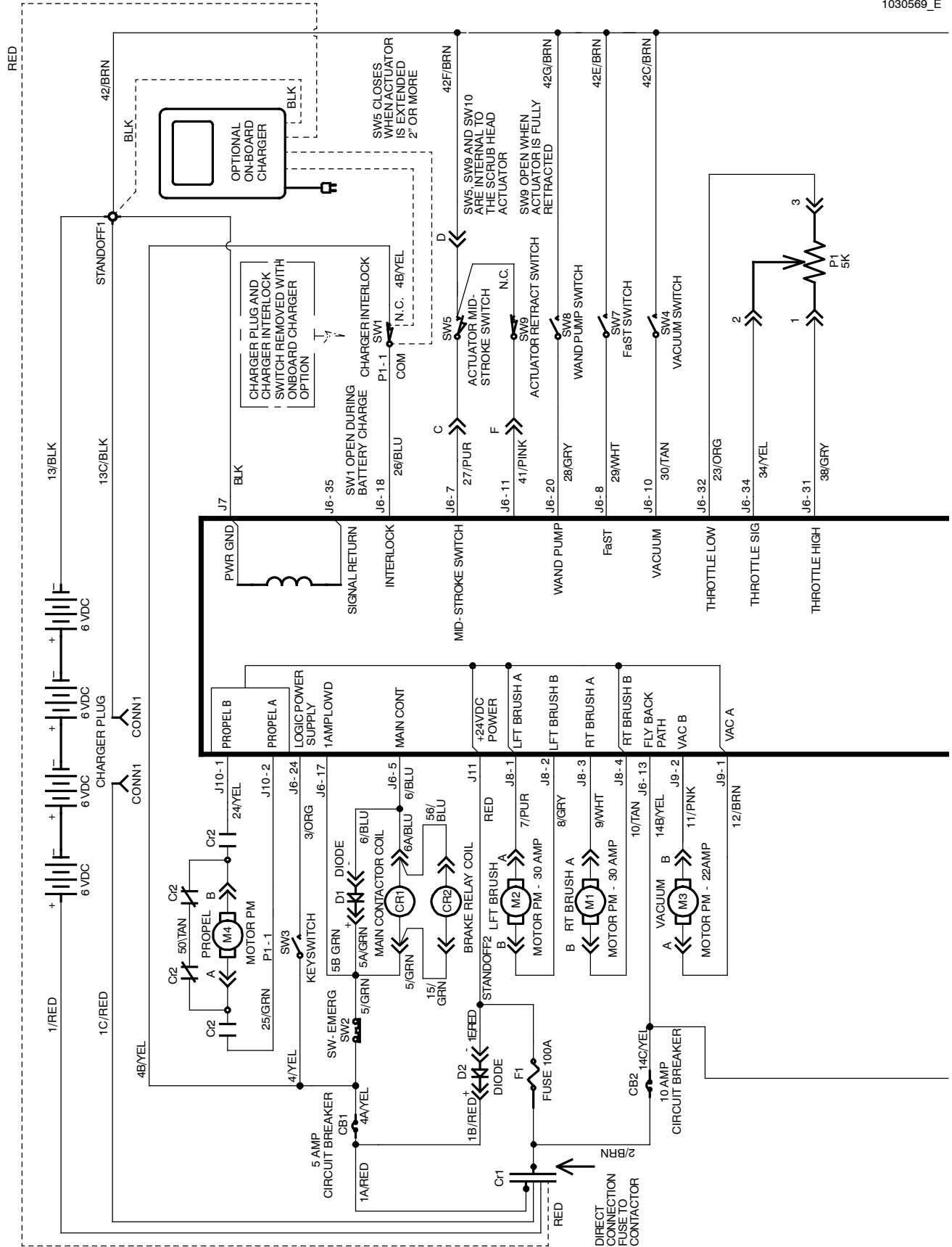
ELECTRICAL DIAGRAM, STANDARD & FaST MODEL
(S/N 10632988- 10742212)

1030569_F



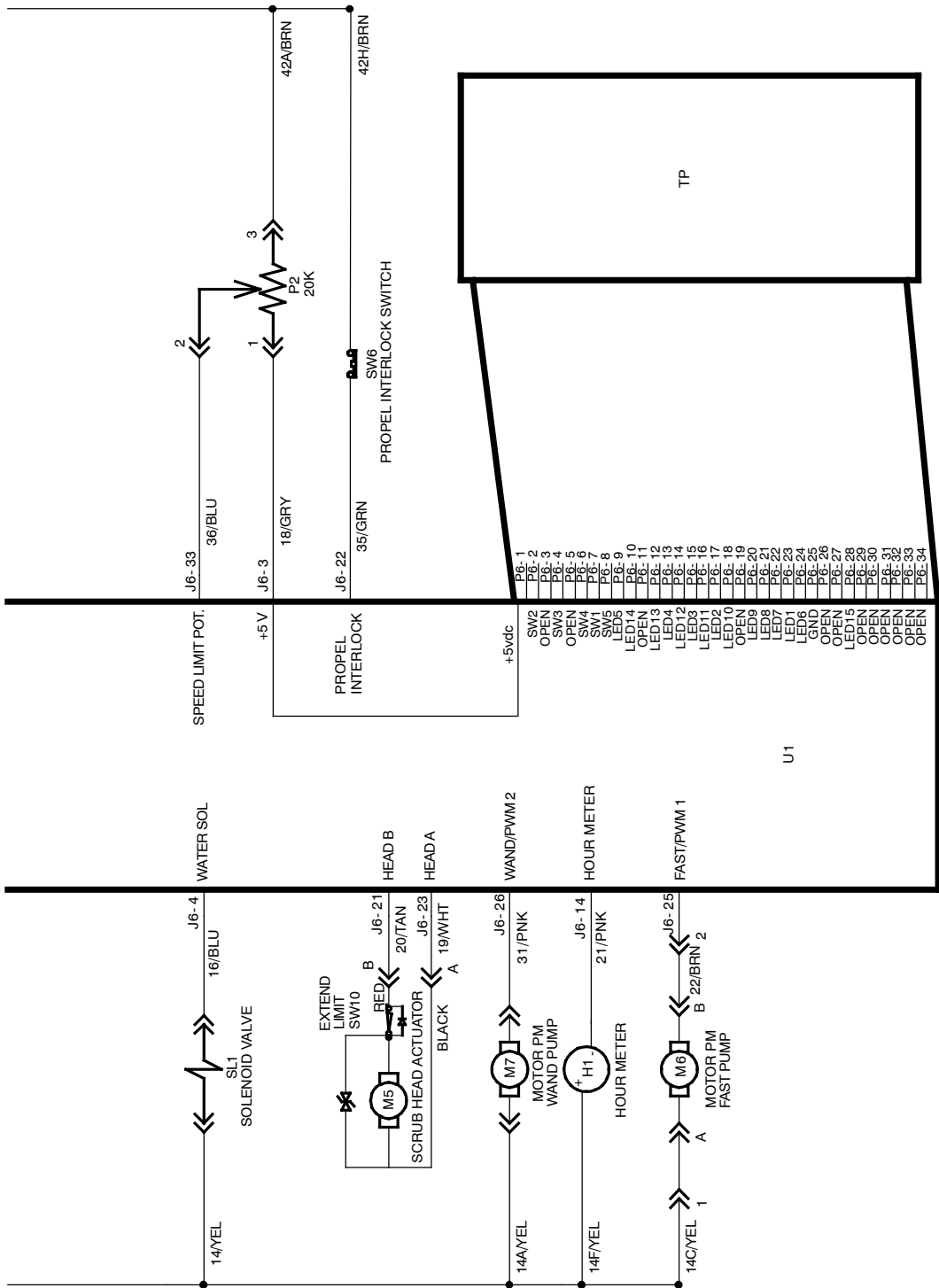
ELECTRICAL DIAGRAM, STANDARD & FaST MODEL (S/N 0000000-10632987)

1030569_E



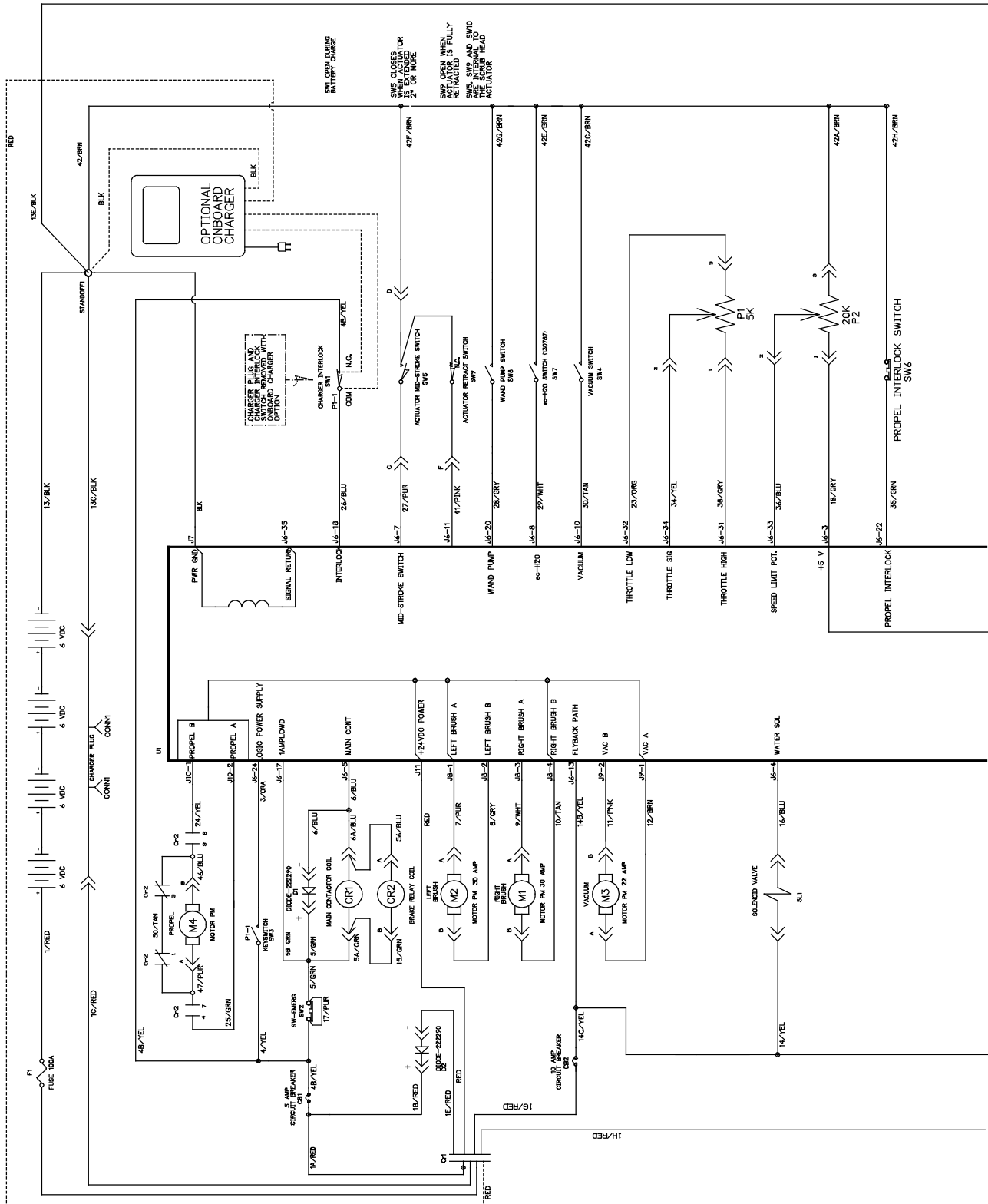
ELECTRICAL DIAGRAM, STANDARD & FaST MODEL (S/N 0000000- 10632987)

1030569_E



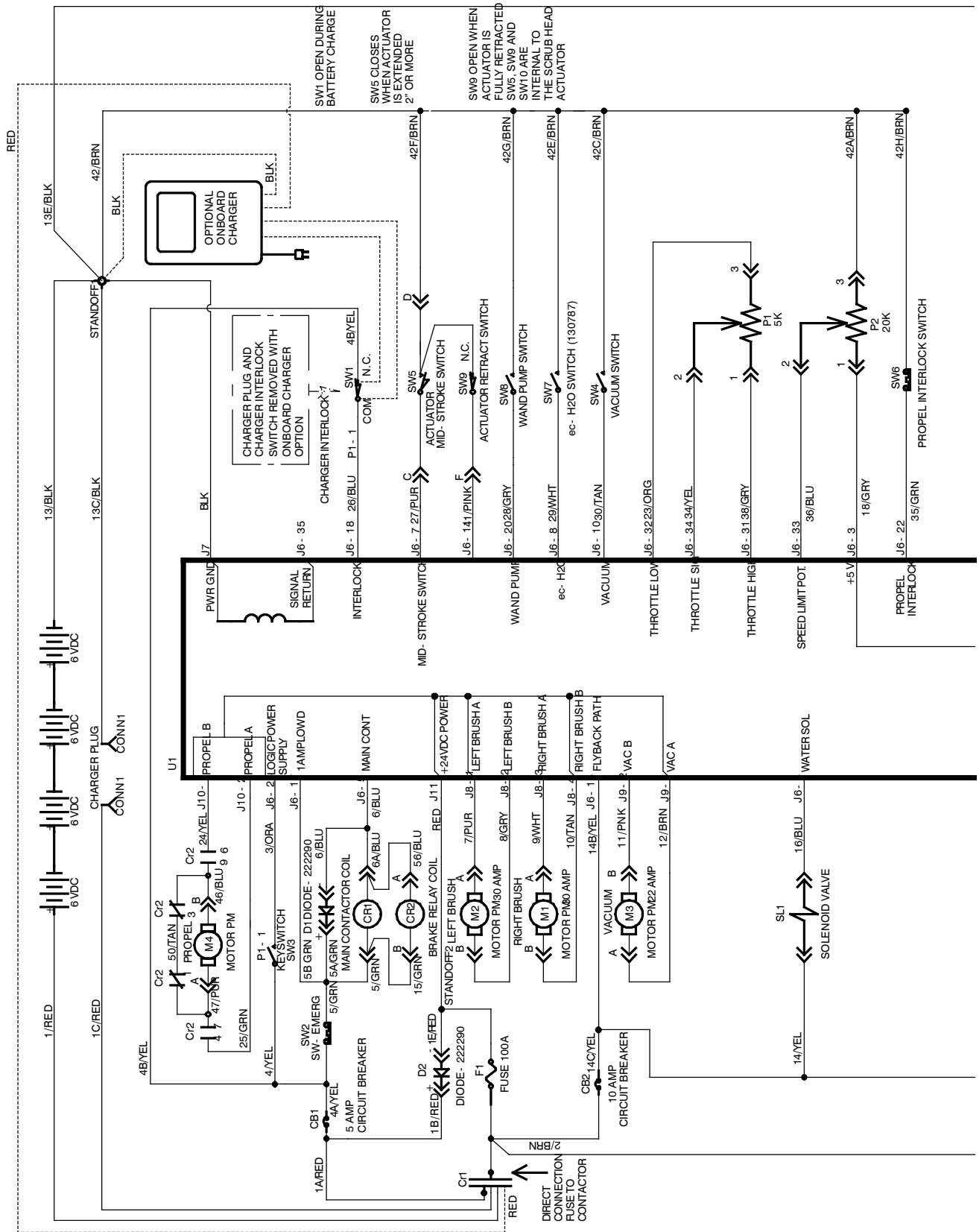
ELECTRICAL DIAGRAM, *ec-H2O* MODEL (S/N 10632988- 10742212)

1044406_D



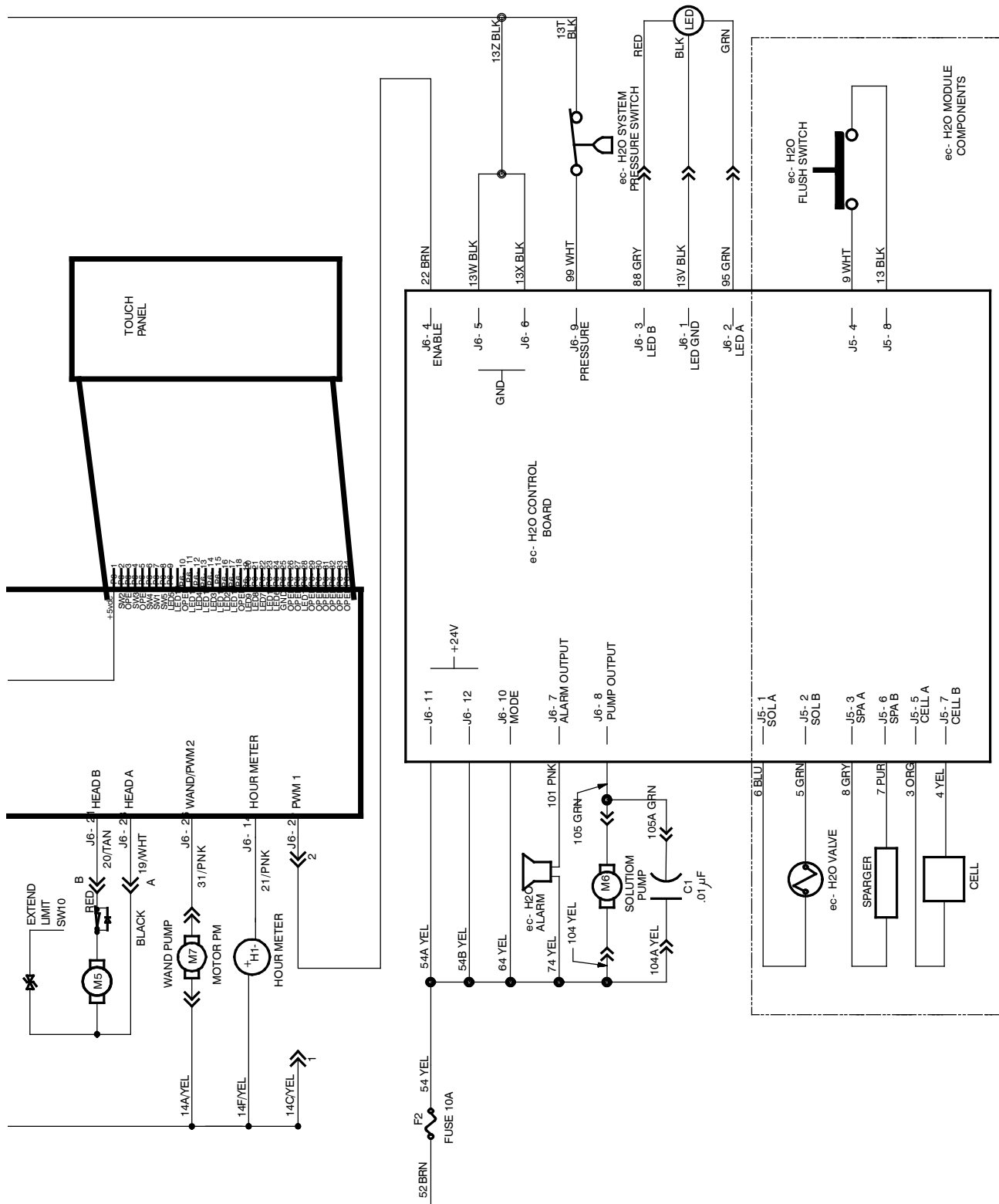
ELECTRICAL DIAGRAM, *ec-H2O* MODEL (S/N 0000000- 10632987)

1044406_C



ELECTRICAL DIAGRAM, *ec-H2O* MODEL (S/N 0000000- 10632987)

1044406_C



STANDARD PARTS

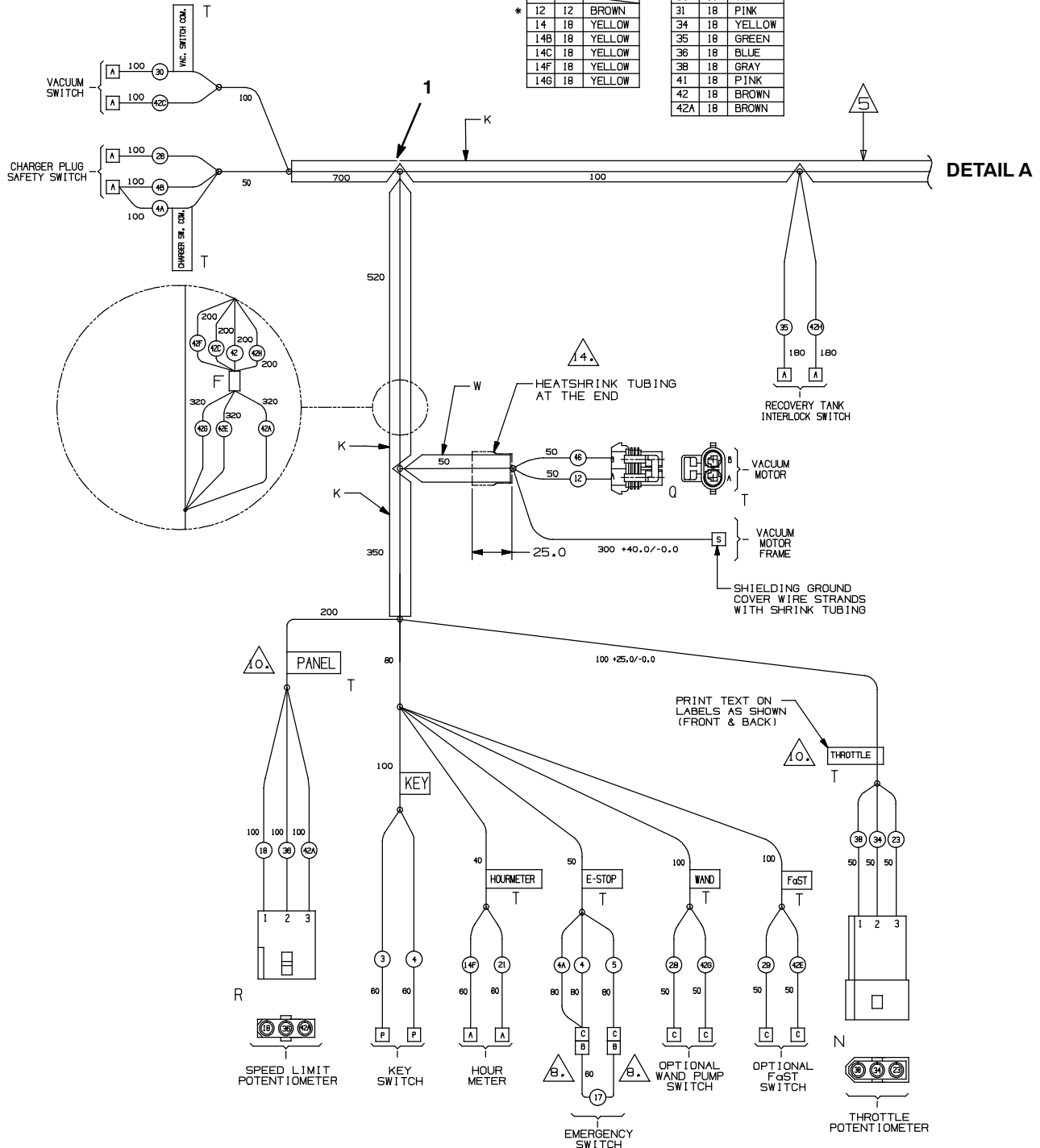
WIRE HARNESS GROUP, MAIN (S/N 10632988-)

WIRE No1	AWG	COLOR
1A	18	RED
1B	18	RED
1E	18	RED
2	18	BROWN
3	18	ORANGE
4	18	YELLOW
4A	18	YELLOW
4B	18	YELLOW
5	18	GREEN
5A	18	GREEN
5B	18	GREEN
6	18	BLUE
6A	18	BLUE
* 12	12	BROWN
14	18	YELLOW
14B	18	YELLOW
14C	18	YELLOW
14F	18	YELLOW
14G	18	YELLOW

WIRE No1	AWG	COLOR
16	18	BLUE
17	18	PURPLE
18	18	GREY
19	18	WHITE
20	18	TAN
21	18	PINK
22	18	BROWN
23	18	ORANGE
26	18	BLUE
27	18	PURPLE
28	18	GREY
29	18	WHITE
30	18	TAN
31	18	PINK
34	18	YELLOW
35	18	GREEN
36	18	BLUE
38	18	GRAY
41	18	PINK
42	18	BROWN
42A	18	BROWN

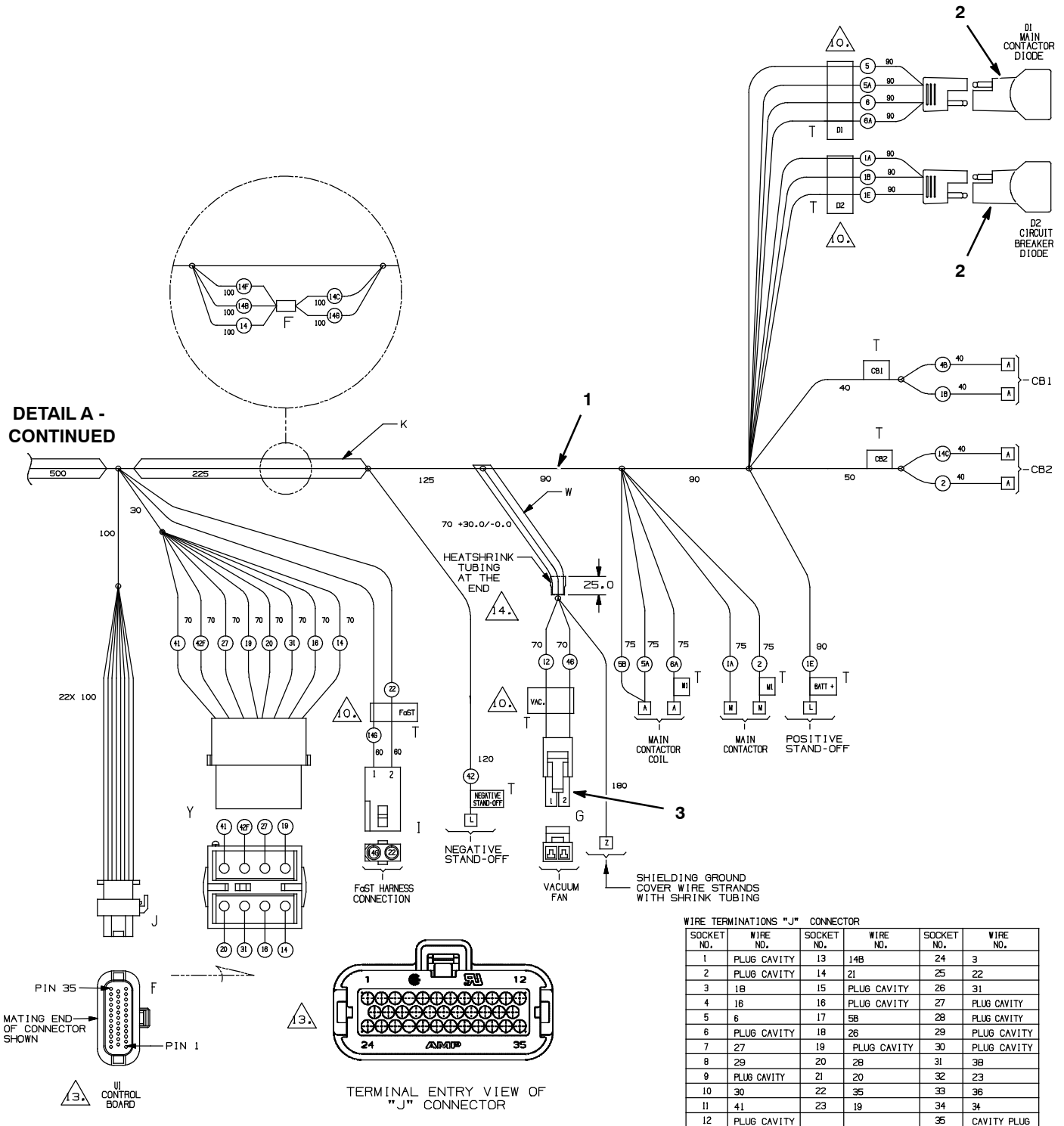
WIRE No1	AWG	COLOR
42C	18	BROWN
42E	18	BROWN
42F	18	BROWN
42G	18	BROWN
42H	18	BROWN
* 46	12	BLUE

* WIRE #46 AND #12 ARE SHIELDED CABLE.



WIRE HARNESS GROUP, MAIN (S/N 10632988-

) - CONT'D



Ref.	Part No.	Serial Number	Description	Qty.
1	1066855	(10632988-) Harness, Main [T5, Na] (NA/JP)	1
2	222290	(00000000-) Diode, Ele, Plug	2
3	1013835	(00000000-) Connector Body, Fem, 2 Recept.[Molex]	1

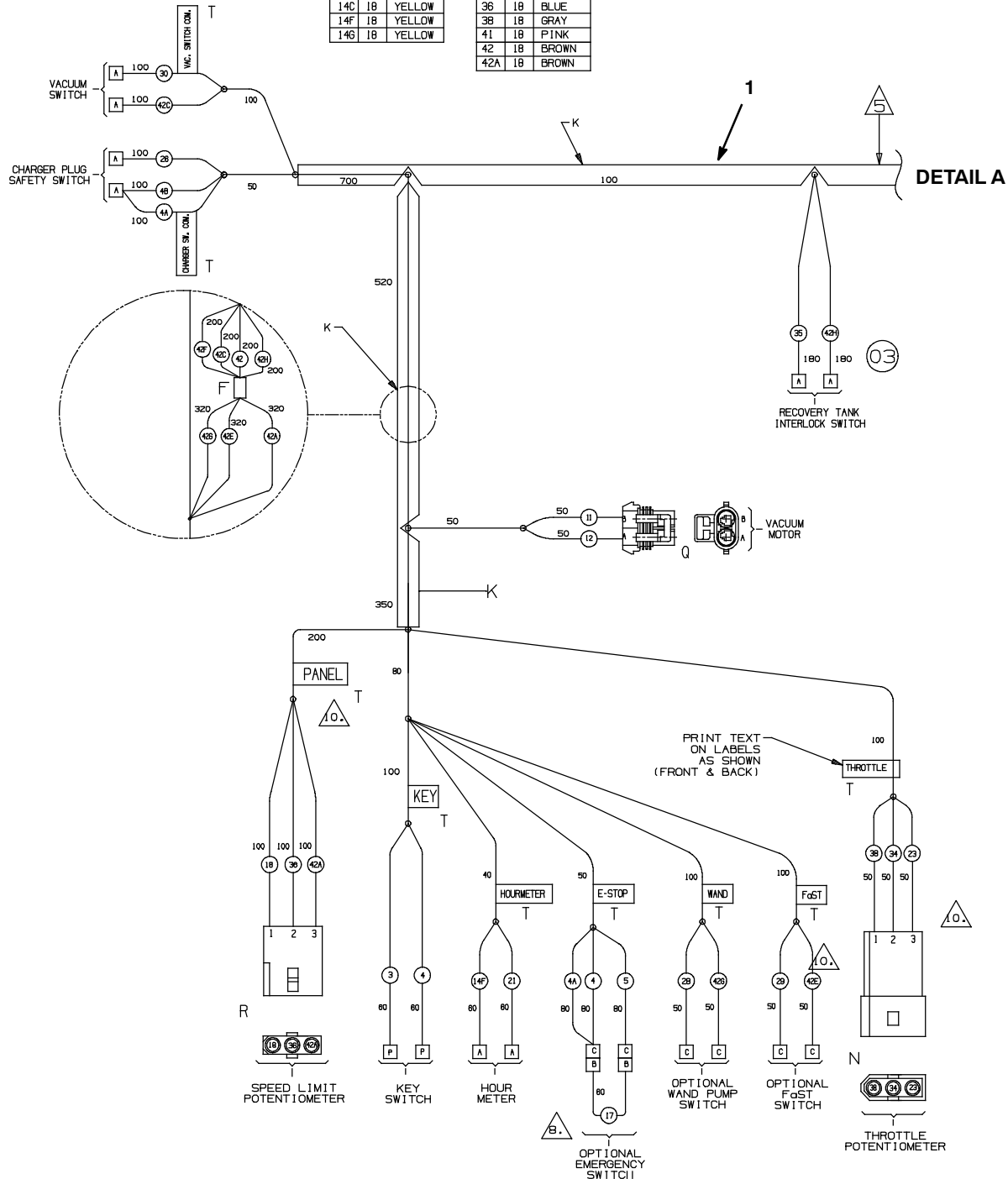
WIRE HARNESS GROUP, MAIN (S/N 0000000- 10632987)

355121

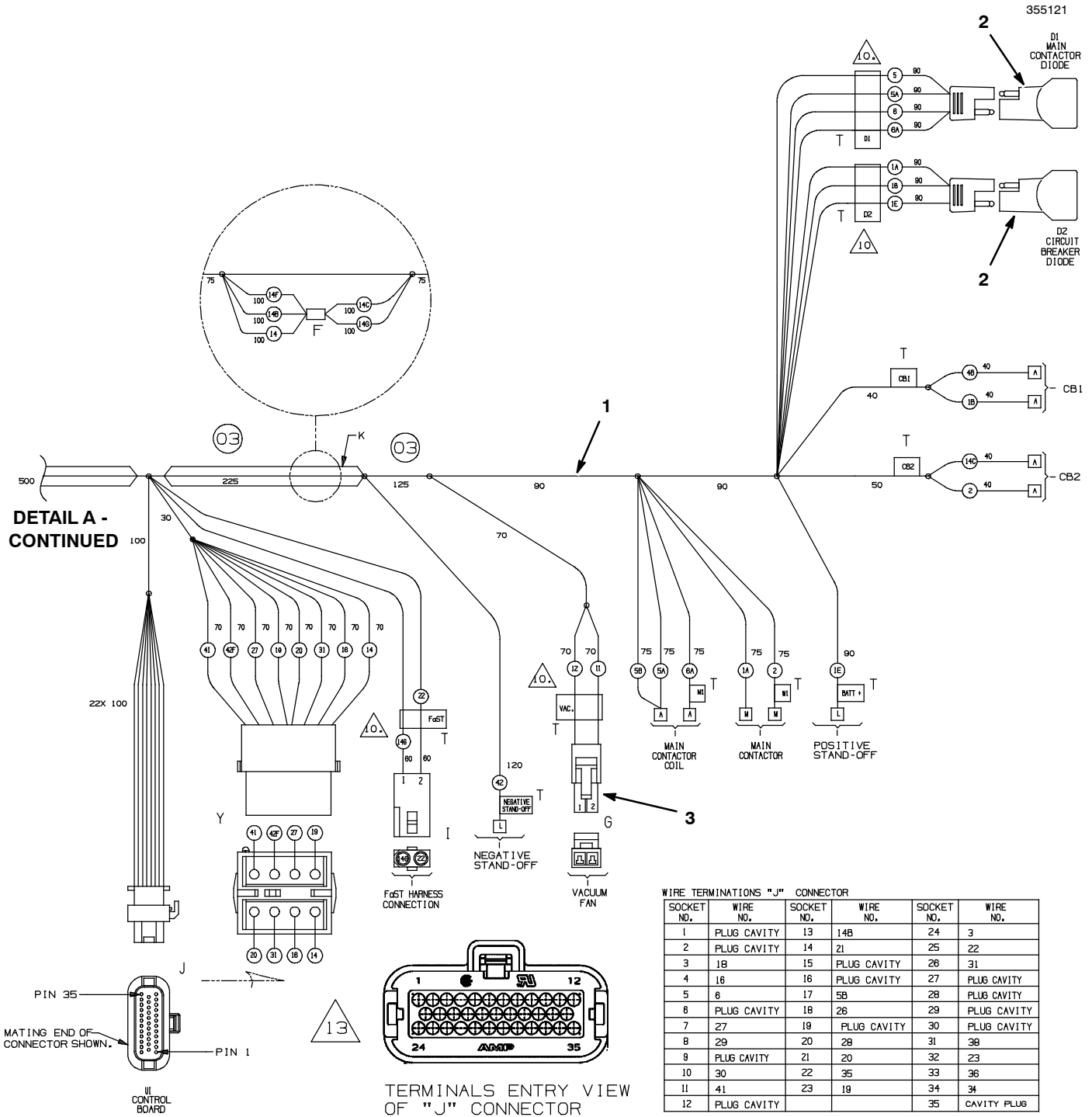
WIRE No:	AWG	COLOR
1A	18	RED
1B	18	RED
1E	18	RED
2	18	BROWN
3	18	ORANGE
4	18	YELLOW
4A	18	YELLOW
4B	18	YELLOW
5	18	GREEN
5A	18	GREEN
5B	18	GREEN
6	18	BLUE
6A	18	BLUE
11	12	PINK
12	12	BROWN
14	18	YELLOW
14B	18	YELLOW
14C	18	YELLOW
14F	18	YELLOW
14G	18	YELLOW

WIRE No:	AWG	COLOR
16	18	BLUE
17	18	PURPLE
18	18	GREY
19	18	WHITE
20	18	TAN
21	18	PINK
22	18	BROWN
23	18	ORANGE
26	18	BLUE
27	18	PURPLE
28	18	GREY
29	18	WHITE
30	18	TAN
31	18	PINK
34	18	YELLOW
35	18	GREEN
36	18	BLUE
38	18	GRAY
41	18	PINK
42	18	BROWN
42A	18	BROWN

WIRE No:	AWG	COLOR
42C	18	BROWN
42E	18	BROWN
42F	18	BROWN
42S	18	BROWN
42H	18	BROWN



WIRE HARNESS GROUP, MAIN (S/N 00000000-10632987) - CONT'D



Ref.	Part No.	Serial Number	Description	Qty.
1	1020488	(00000000-10632987)	Harness, Main [T5] (NA/JP)	1
2	222290	(00000000-)	Diode, Ele, Plug	2
3	1013835	(00000000-)	Connector Body, Fem, 2 Recept.[Molex]	1

STANDARD PARTS

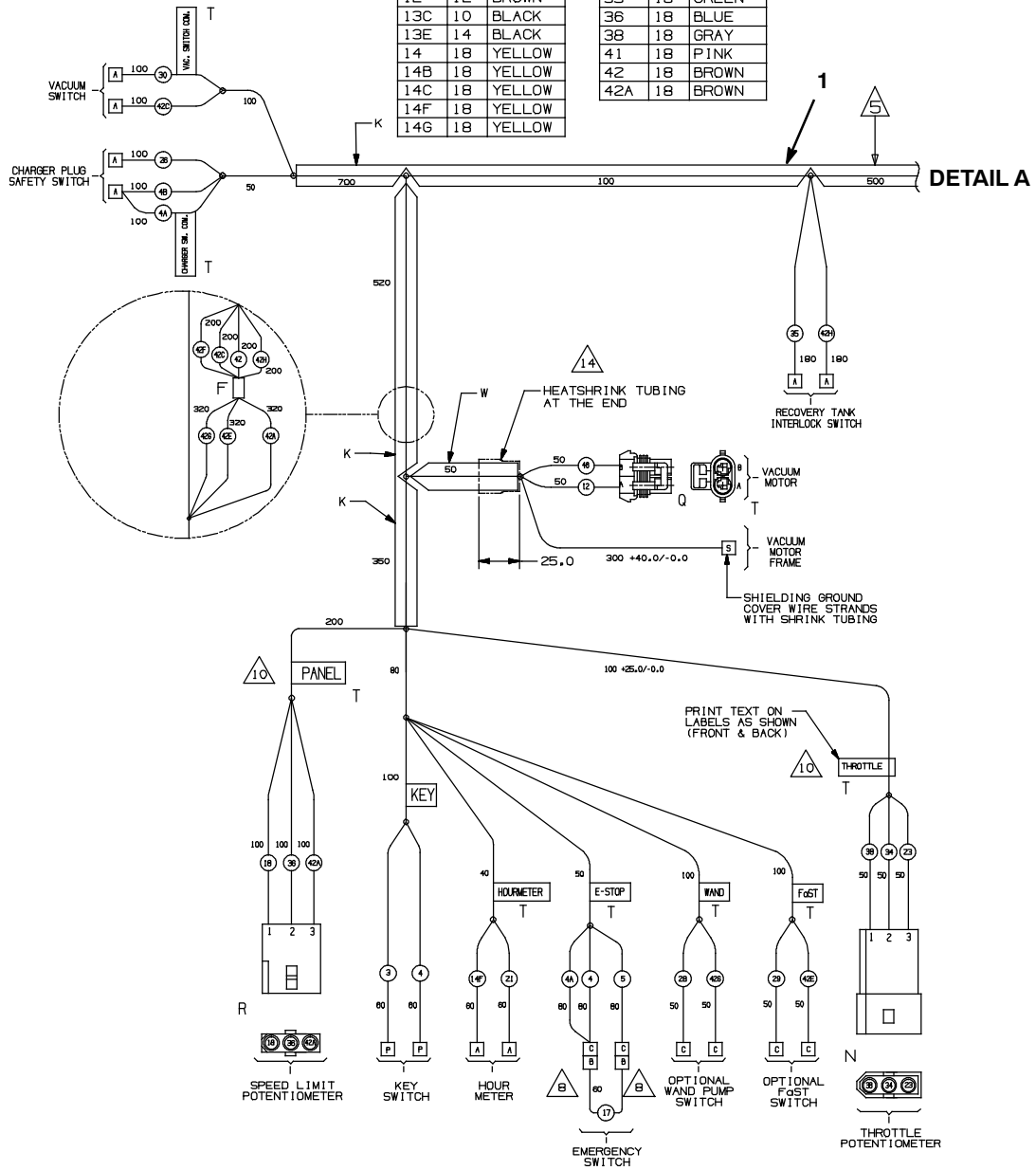
WIRE HARNESS GROUP, MAIN AUSTRALIA (S/N 10632988-)

WIRE NO:	AWG	COLOR
1A	18	RED
1B	18	RED
1C	10	RED
1E	18	RED
1G	16	RED
1H	14	RED
3	18	ORANGE
4	18	YELLOW
4A	18	YELLOW
4B	18	YELLOW
5	18	GREEN
5A	18	GREEN
5B	18	GREEN
6	18	BLUE
6A	18	BLUE
* 12	12	BROWN
13C	10	BLACK
13E	14	BLACK
14	18	YELLOW
14B	18	YELLOW
14C	18	YELLOW
14F	18	YELLOW
14G	18	YELLOW

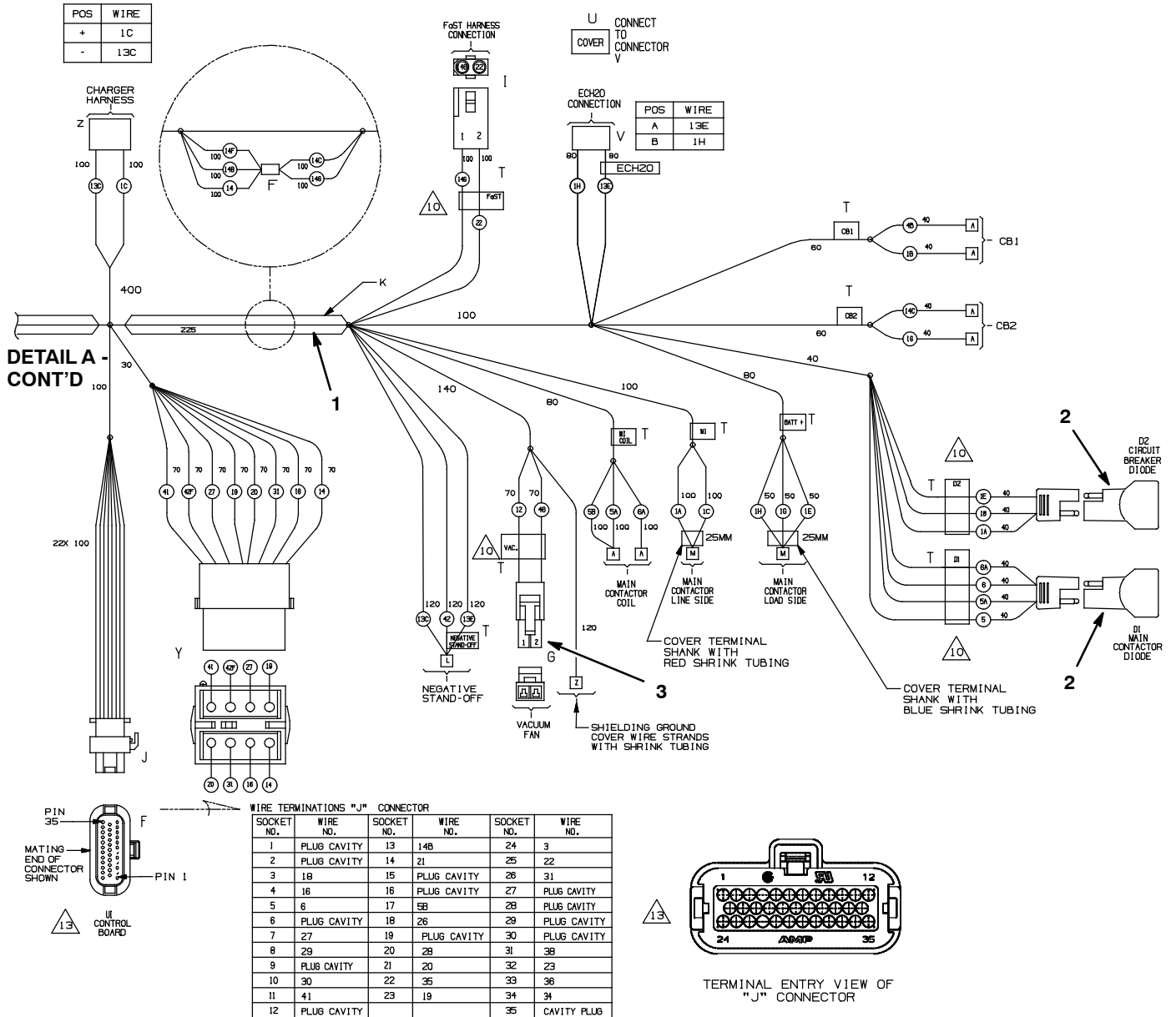
WIRE NO:	AWG	COLOR
16	18	BLUE
17	18	PURPLE
18	18	GREY
19	18	WHITE
20	18	TAN
21	18	PINK
22	18	BROWN
23	18	ORANGE
26	18	BLUE
27	18	PURPLE
28	18	GREY
29	18	WHITE
30	18	TAN
31	18	PINK
34	18	YELLOW
35	18	GREEN
36	18	BLUE
38	18	GRAY
41	18	PINK
42	18	BROWN
42A	18	BROWN

WIRE NO:	AWG	COLOR
42C	18	BROWN
42E	18	BROWN
42F	18	BROWN
42G	18	BROWN
42H	18	BROWN
* 46	12	BLUE

* WIRE #12 AND #46 ARE SHIELDED CABLE: QLFLEX CLASSIC 100SY #0016101



WIRE HARNESS GROUP, MAIN AUSTRALIA (S/N 10632988-) - CONT'D



Ref.	Part No.	Serial Number	Description	Qty.
1	1067933	(10632988-) Harness, Main [T5, Aus]	1
2	222290	(00000000-) Diode, Ele, Plug	2
3	1013835	(00000000-) Connector Body, Fem, 2 Recept.[Molex]	1

STANDARD PARTS

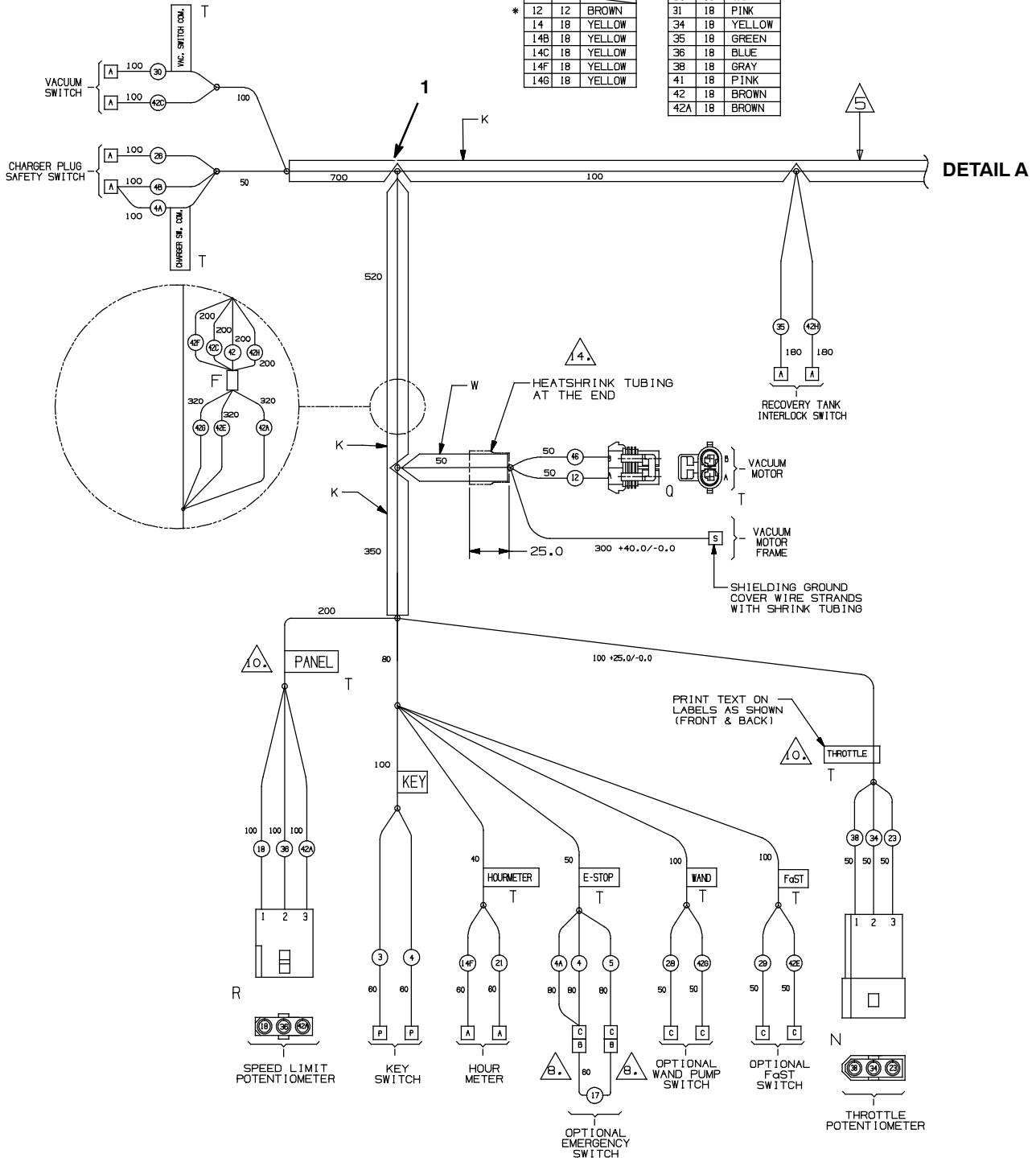
WIRE HARNESS GROUP, MAIN AUSTRALIA (S/N 0000000-10632987)

WIRE No1	AWG	COLOR
1A	18	RED
1B	18	RED
1E	18	RED
2	18	BROWN
3	18	ORANGE
4	18	YELLOW
4A	18	YELLOW
4B	18	YELLOW
5	18	GREEN
5A	18	GREEN
5B	18	GREEN
6	18	BLUE
6A	18	BLUE
* 12	12	BROWN
14	18	YELLOW
14B	18	YELLOW
14C	18	YELLOW
14F	18	YELLOW
14G	18	YELLOW

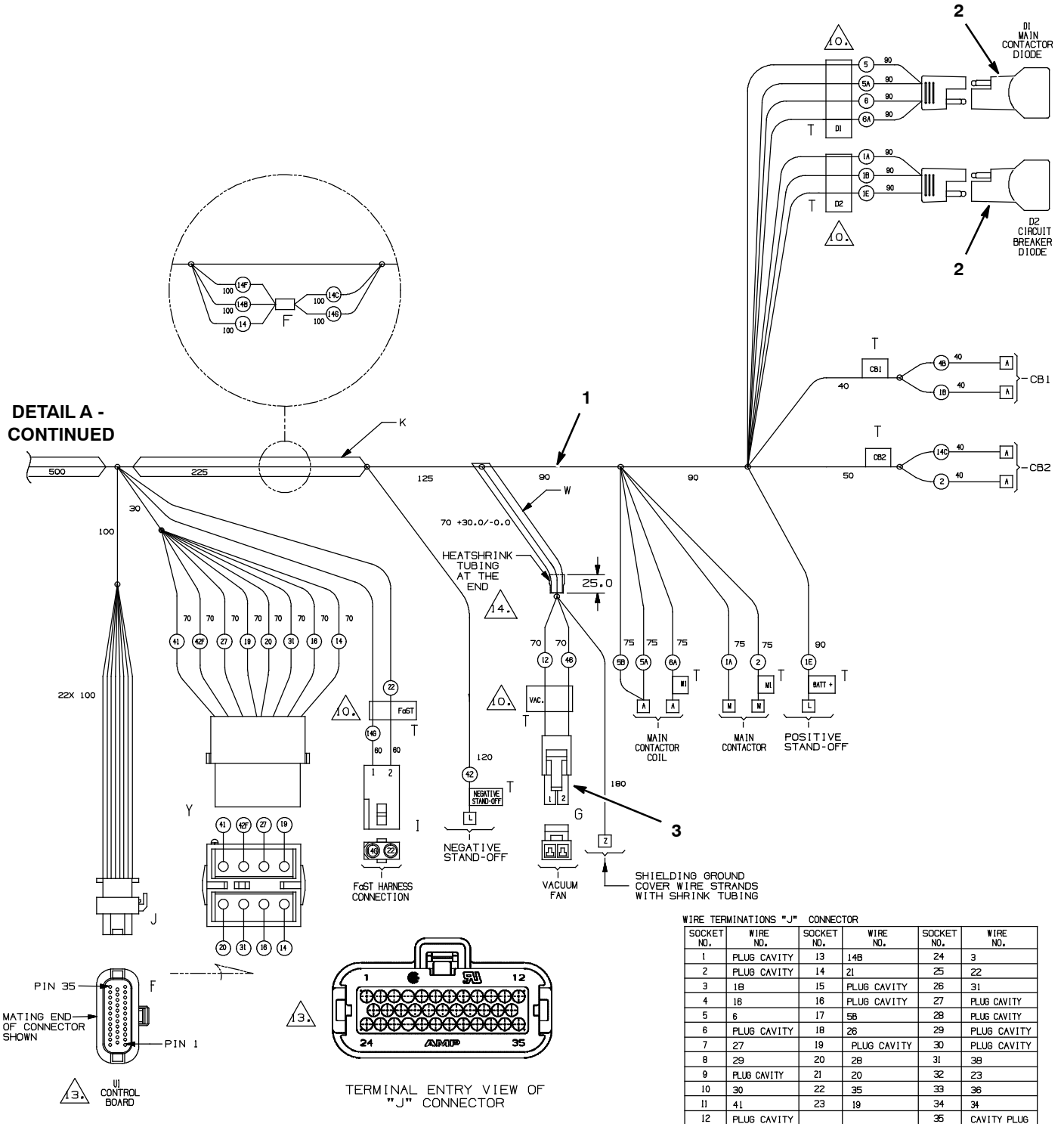
WIRE No1	AWG	COLOR
16	18	BLUE
17	18	PURPLE
18	18	GREY
19	18	WHITE
20	18	TAN
21	18	PINK
22	18	BROWN
23	18	ORANGE
26	18	BLUE
27	18	PURPLE
28	18	GREY
29	18	WHITE
30	18	TAN
31	18	PINK
34	18	YELLOW
35	18	GREEN
36	18	BLUE
38	18	GRAY
41	18	PINK
42	18	BROWN
42A	18	BROWN

WIRE No1	AWG	COLOR
42C	18	BROWN
42E	18	BROWN
42F	18	BROWN
42G	18	BROWN
42H	18	BROWN
* 46	12	BLUE

* WIRE #46 AND #12 ARE SHIELDED CABLE.



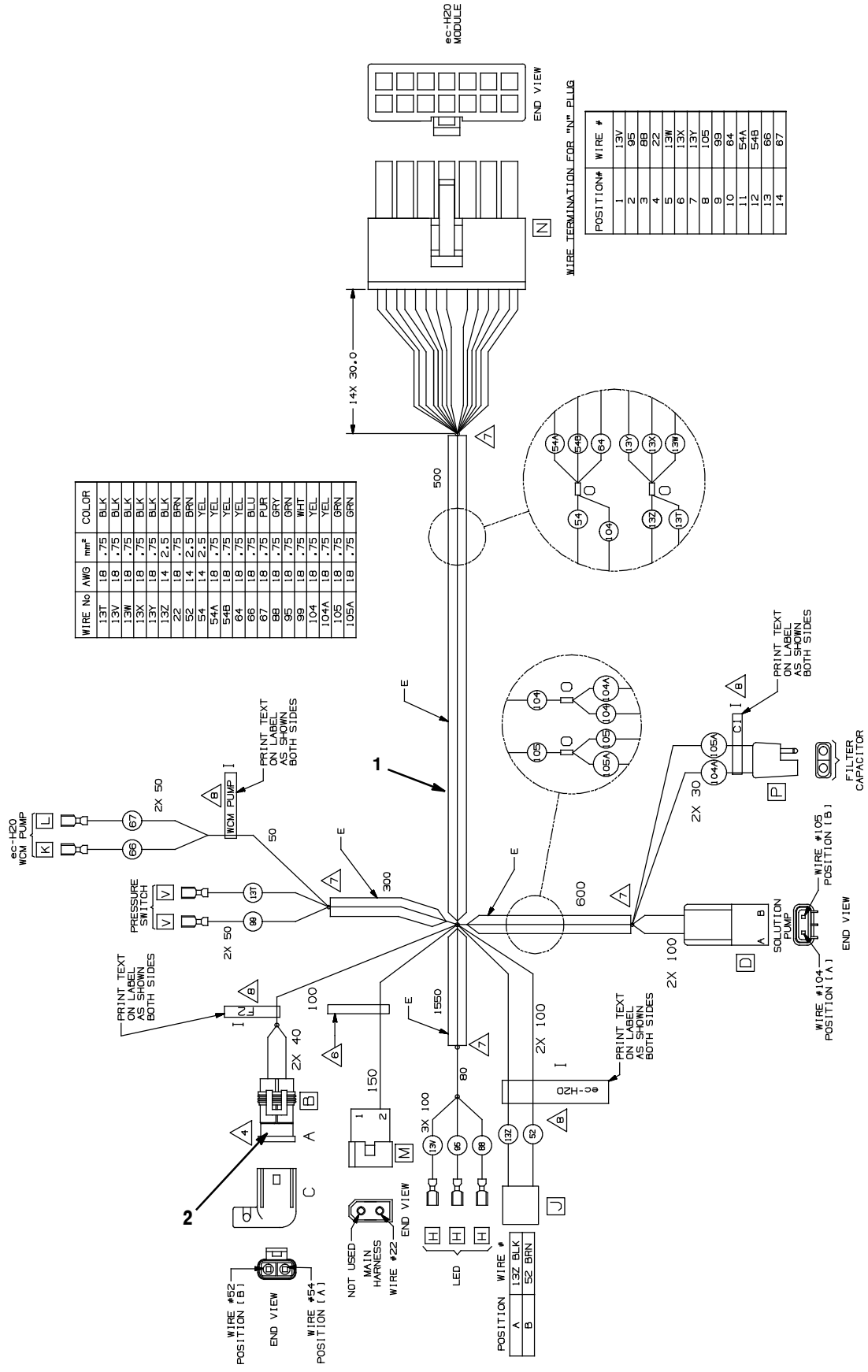
WIRE HARNESS GROUP, MAIN AUSTRALIA (S/N 0000000-10632987) - CONT'D



Ref.	Part No.	Serial Number	Description	Qty.
1	1034771	(00000000-10632987)	Harness, Main [T5, Aus]	1
2	222290	(00000000-)	Diode, Ele, Plug	2
3	1013835	(00000000-)	Connector Body, Fem, 2 Recept.[Molex]	1

STANDARD PARTS

WIRE HARNESS GROUP, *ec-H2O NANOCLEAN* (S/N 10742213-)



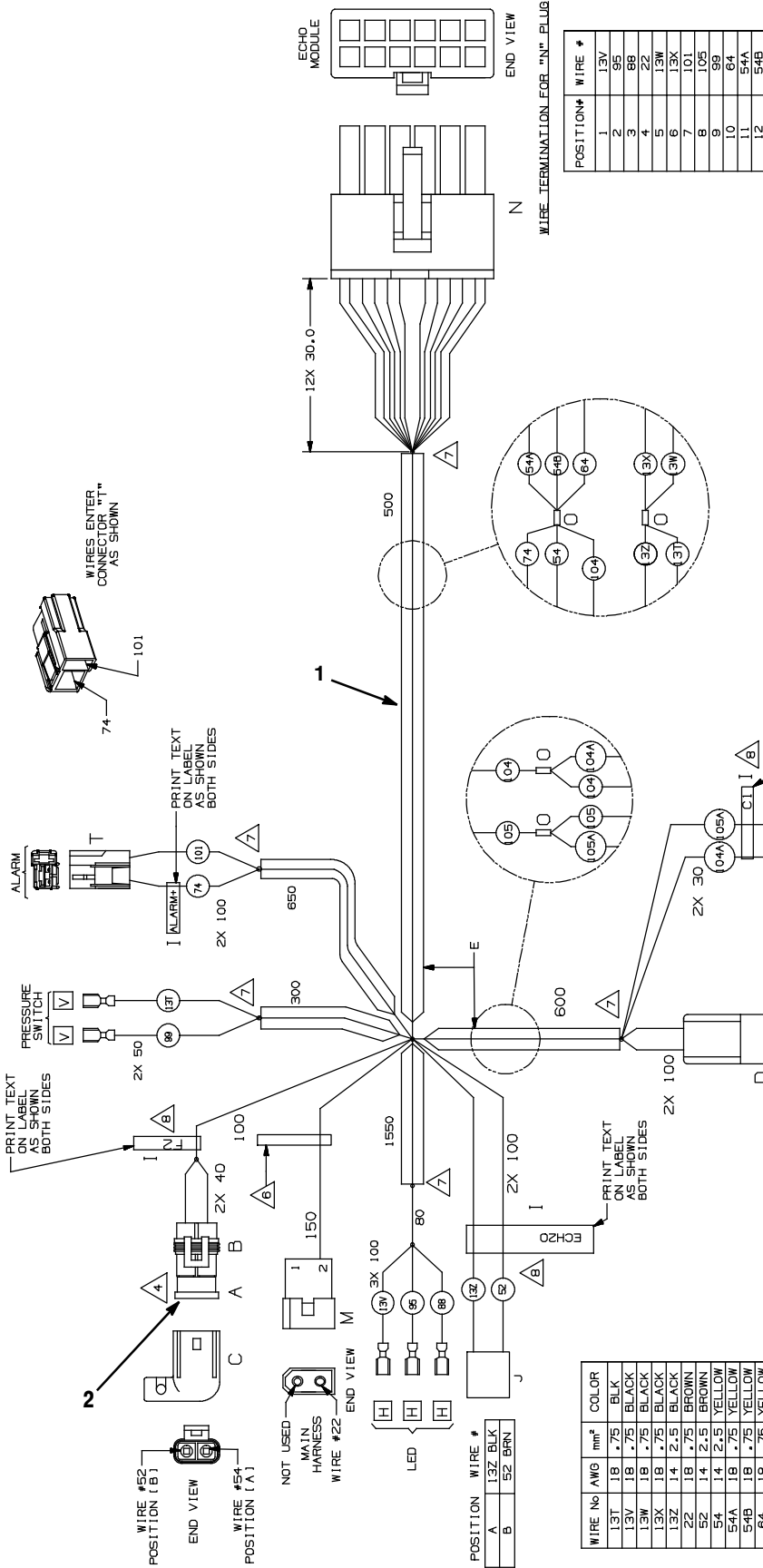
WIRE HARNESS GROUP, *ec-H2O* NANOCLEAN (S/N 10742213-)

	Ref.	Part No.	Serial Number	Description	Qty.
▽	1	1074375	(10742213-) Harness Assy, Wire [T5 Ec- H2o G2]	1
▲	2	1047470	(00000000-) Fuse, Blade, 010a, 32vdc, Red	1

▽ ASSEMBLY

▲ INCLUDED IN ASSEMBLY

WIRE HARNESS GROUP, *ec-H2O* (S/N 10632988-10742212)



TERMINAL	TERMINAL TYPES AND SIZE
A	ATO FUSE FAST ACTING TYPE 10A, 32 VOLT
B	LITTEL FUSE PART NUMBER: 257010
C	CONNECTOR BODY W/SEAL, 2F 630 MP P.E., P/N: 12033769.
D	COVER, FUSE, 630 MP P.E., 12033761.
E	CONNECTOR BODY 2M, 280MP / SERIES P.E., #1530002.
F	CONNECTOR TYPED 280MP / SERIES P.E., #1530014.
G	CONNECTOR TYPED 280MP / SERIES P.E., #1530014.
H	CONNECTOR TYPED 280MP / SERIES P.E., #1530014.
I	CONNECTOR TYPED 280MP / SERIES P.E., #1530014.
J	CONNECTOR TYPED 280MP / SERIES P.E., #1530014.
K	CONNECTOR TYPED 280MP / SERIES P.E., #1530014.
L	CONNECTOR TYPED 280MP / SERIES P.E., #1530014.
M	CONNECTOR TYPED 280MP / SERIES P.E., #1530014.
N	CONNECTOR TYPED 280MP / SERIES P.E., #1530014.
O	CONNECTOR TYPED 280MP / SERIES P.E., #1530014.
P	CONNECTOR TYPED 280MP / SERIES P.E., #1530014.
Q	CONNECTOR TYPED 280MP / SERIES P.E., #1530014.
R	CONNECTOR TYPED 280MP / SERIES P.E., #1530014.
S	CONNECTOR TYPED 280MP / SERIES P.E., #1530014.
T	CONNECTOR TYPED 280MP / SERIES P.E., #1530014.
V	CONNECTOR TYPED 280MP / SERIES P.E., #1530014.

WIRE HARNESS GROUP, *ec-H2O* (S/N 10632988- 10742212)

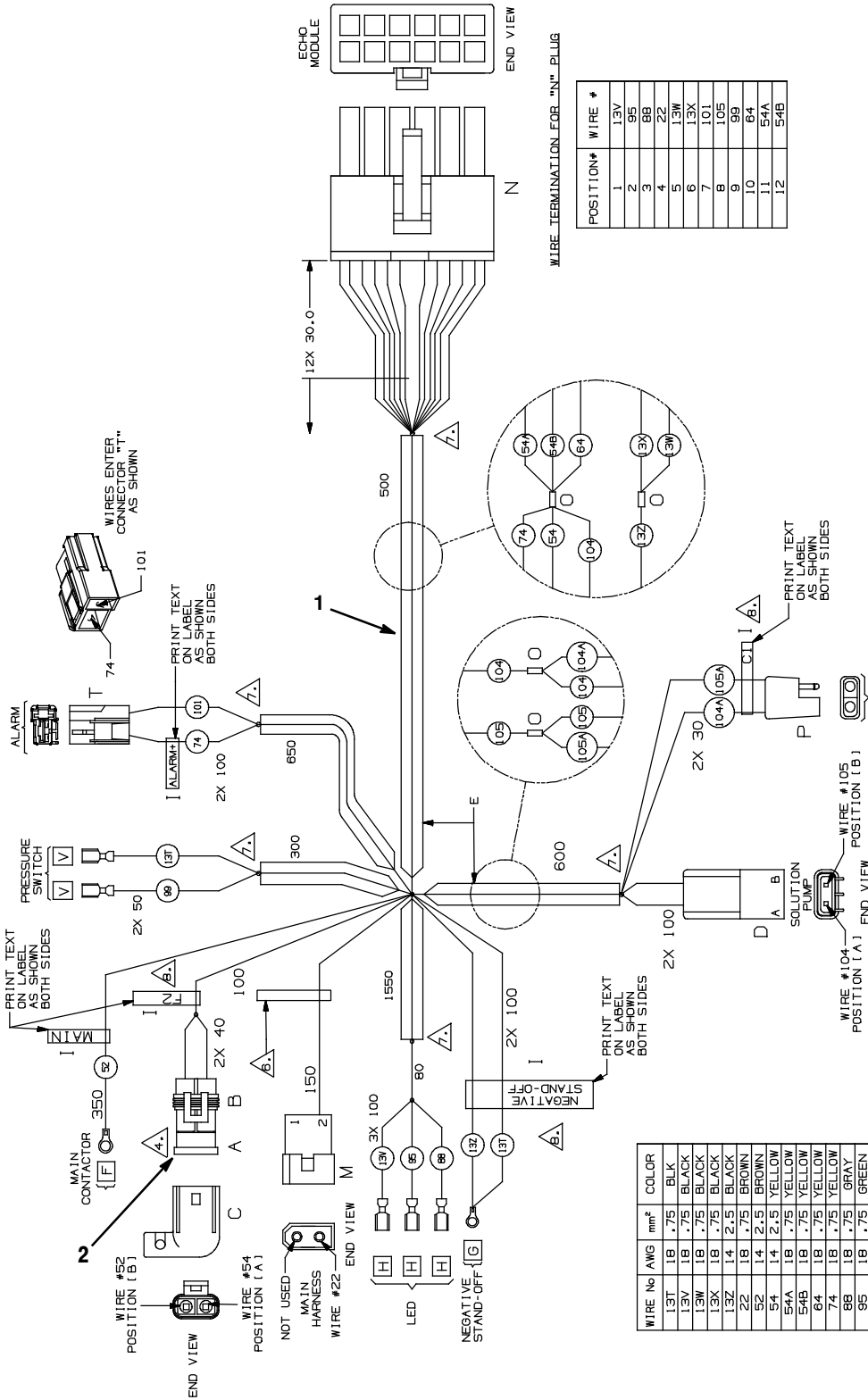
	Ref.	Part No.	Serial Number	Description	Qty.
▽	1	1066844	(10632988- 10742212)	Harness Assy, Wire [T5 Ec- H2o]	1
▲	2	1047470	(00000000-) Fuse, Blade, 010a, 32vdc, Red	1

▽ ASSEMBLY

▲ INCLUDED IN ASSEMBLY

WIRE HARNESS GROUP, ec-H2O (S/N 10446231-10632987)

355122



WIRE TERMINATION FOR "N" PLUG

POSITION#	WIRE #
1	13V
2	95
3	88
4	22
5	13W
6	13X
7	101
8	105
9	89
10	84
11	54A
12	54B

TERMINAL	TERMINAL TYPES AND SIDE
A	ATO FUSE FAST ACTING TYPE 10A, 32 VOLT
B	LITTEL FUSE PART NUMBER: 257010.
C	CONNECTOR BODY W/SEAL, 2F 630 MP P.E. P/N: 12033769.
D	COVER, FUSE, 630 MP P.E. 12033731.
E	CONNECTOR BODY 2M, 280MP / SERIES P.E., #15300002.
F	CABLE SEAL, 280MP / SERIES, PACKARD, #12015323 (2 PER CONN.).
G	TERMINALS, MAT.E., 280MP / SERIES, #12015323 (2 PER CONN.).
H	TERMINALS, MAT.E., 280MP / SERIES, #2048159 (2 PER CONN.).
I	5/16" FULLY INSULATED RING TERMINAL.
J	7/4" FULLY INSULATED RING TERMINAL.
K	LABEL, SELF ADHESIVE, WHITE BACK GROUND WITH BLACK TEXT.
L	LABEL, SELF ADHESIVE, WHITE BACK GROUND WITH BLACK TEXT.
M	P/N: 70340-1 PIN, TERMINAL P/N: 78407 OR 350829.1.
N	MOLEX MINI FIT .PC. CONNECTOR RECEPTACLE HOUSING 12 CKT, P/N 39-01-21201; TERMINALS P/N 39-00-0039
P	PLUG 2-WAY, MOLDED, WVC #12914 MUST MATE WITH TENNANT PART NUMBER 1040868
Q	CRIMP OR SONIC WELD WIRES TOGETHER AND COVER WITH SHRINK TUBING.
H	.187" FULLY INSULATED MALE TAB TERMINAL, TYCO P/N: 2-521103-2 OR 2-521102-2.
T	TYCO 250 SERIES RECEPTACLE HOUSING P/N: 172434-2. TERMINALS : CIRCUIT 1: P/N: 170032-1; CIRCUIT 2: P/N: 170454-2
V	.187" x .020" FULLY INSULATED FEMALE RECEPTACLE AMP ULTRA FAST 187 SERIES.

WIRE No	AWG	mm ²	COLOR
13T	18	.75	BLK
13V	18	.75	BLACK
13W	18	.75	BLACK
13X	18	.75	BLACK
13Z	14	2.5	BLACK
22	18	.75	BROWN
52	14	2.5	BROWN
54	14	2.5	YELLOW
54A	18	.75	YELLOW
54B	18	.75	YELLOW
64	18	.75	YELLOW
74	18	.75	YELLOW
88	18	.75	GRAY
89	18	.75	GREEN
101	18	.75	WHITE
104	18	.75	PINK
104A	18	.75	YELLOW
105	18	.75	YELLOW
105A	18	.75	GREEN
105A	18	.75	GREEN

WIRE HARNESS GROUP, *ec-H2O* (S/N 10446231-10632987)

	Ref.	Part No.	Serial Number	Description	Qty.
▽	1	1055398	(10446231-10632987)	Harness Assy, Wire [T5 Ec- H2o]	1
▲	2	1047470	(00000000-)	Fuse, Blade, 010a, 32vdc, Red	1

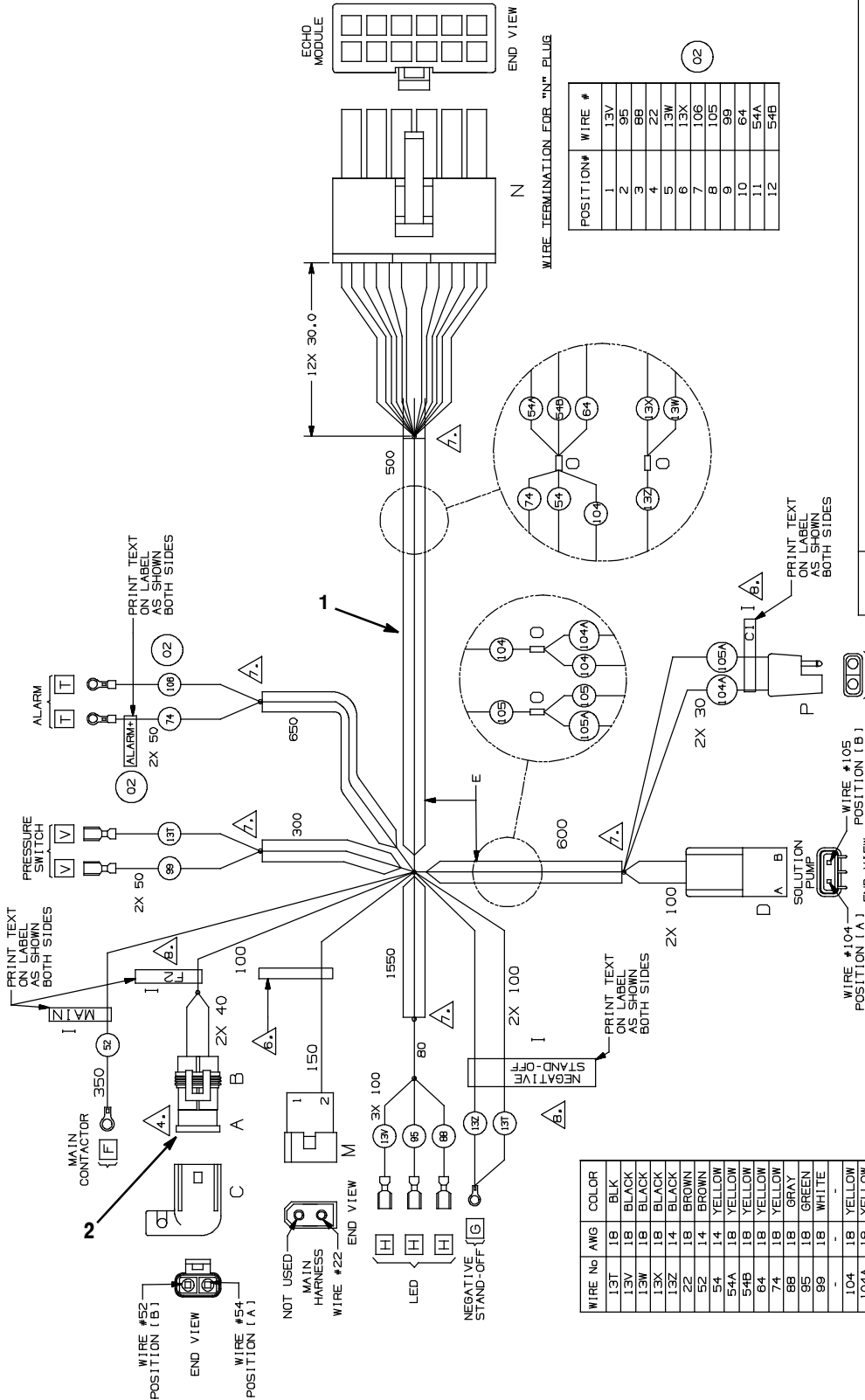
▽ ASSEMBLY

▲ INCLUDED IN ASSEMBLY

STANDARD PARTS

WIRE HARNESS GROUP, ec-H2O (S/N 0000000-10446230)

355123



WIRE TERMINATION FOR "N" PLUG

POSITION#	WIRE #
1	13V
2	95
3	88
4	22
5	13W
6	13X
7	106
8	105
9	99
10	64
11	54A
12	54B

WIRE No	AWG	COLOR
13T	18	BLK
13V	18	BLACK
13W	18	BLACK
13X	18	BLACK
13Z	14	BLACK
22	18	BROWN
52	14	BROWN
54	14	YELLOW
54A	18	YELLOW
54B	18	YELLOW
64	18	YELLOW
74	18	YELLOW
88	18	GRAY
95	18	GREEN
99	18	WHITE
104	18	YELLOW
104A	18	YELLOW
105	18	GREEN
105A	18	GREEN
106	18	BLUE

LETTER	DESCRIPTION
A	A TO FUSE FAST ACTING TYPE 10A .32 VOLT LITTLE FUSE PART NUMBER: 257010.
B	CONNECTOR BODY W/SEAL 2F 630 MP P.E. P/N: 12033769. TERMINAL P/N: 12068614.
C	COVER . FUSE. 630 MP P.E. 12033731.
D	CONNECTOR BODY 2M. 280MP / SERIES P.E. #15300002. CABLE SEAL 280MP / SERIES. PACKARD. #12015323 (2 PER CONN.). CONNECTOR T.P.A. 280MP / SERIES. PACKARD #15300014 TERMINALS. MALE 280MP / SERIES 12048159 (2 PER CONN.).
E	BRAIDING. .028 DIAMETER BLACK.
F	5/16" FULLY INSULATED RING TERMINAL.
G	1/4" FULLY INSULATED RING TERMINAL.
I	LABEL. SELF ADHESIVE. WHITE BACK GROUND WITH BLACK TEXT.
M	PLUG 2 CIRCUIT AMP .145 CENTER LINE CONNECTOR 250V . 7A P/N: 770340-1. PIN TERMINAL P/N: 794017 OR 350629-1.
N	MOLEX MINI FIT J. CONNECTOR RECEPTACLE HOUSING 12 DKT. P/N 39-01-2120; TERMINALS P/N 39-00-0039
P	PLUG 2-WAY, MOLDED, WVC #12914 MUST MATE WITH TENNANT PART NUMBER 1040868
O	CRIMP OR SONIC WELD WIRES TOGETHER AND COVER WITH SHRINK TUBING.
H	.187" FULLY INSULATED MALE TAB TERMINAL. TYCO P/N: 2-521103-2 OR 2-521102-2.
T	#8 FULLY INSULATED RING TERMINAL.
V	.187" x .020" FULLY INSULATED FEMALE RECEPTACLE AMP ULTRA FAST 187 SERIES.

WIRE HARNESS GROUP, *ec-H2O* (S/N 00000000- 10446230)

	Ref.	Part No.	Serial Number	Description	Qty.
▽	1	1044416	(10378380- 10446320)	Harness Assy, Wire [T5 Ec- H2o, P3]	1
▲	2	1047470	(00000000-) Fuse, Blade, 010a, 32vdc, Red	1

▽ ASSEMBLY

▲ INCLUDED IN ASSEMBLY

WIRE HARNESS GROUP, IRIS TELEMETRY

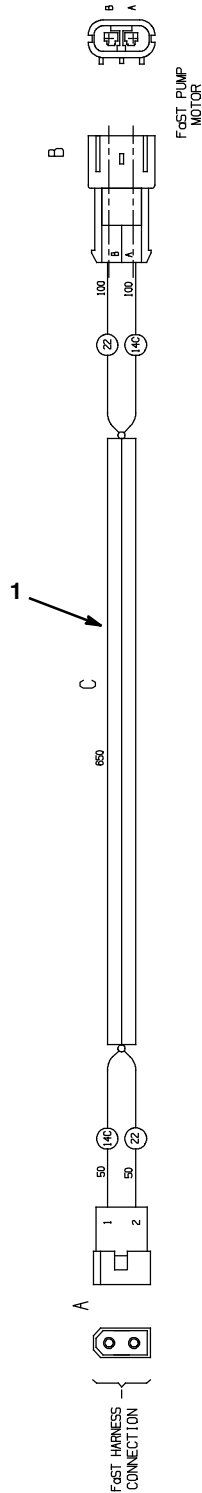
	Ref.	Part No.	Serial Number	Description	Qty.
▽	1	1074445	(10742213-) Harness, Ele, Telem [T5]	1
▲	2	9009990	(10742213-) Vr, Fuse, 002a, 250vdc, Cartridge	1

▽ ASSEMBLY

▲ INCLUDED IN ASSEMBLY

WIRE HARNESS GROUP, FAST

355124



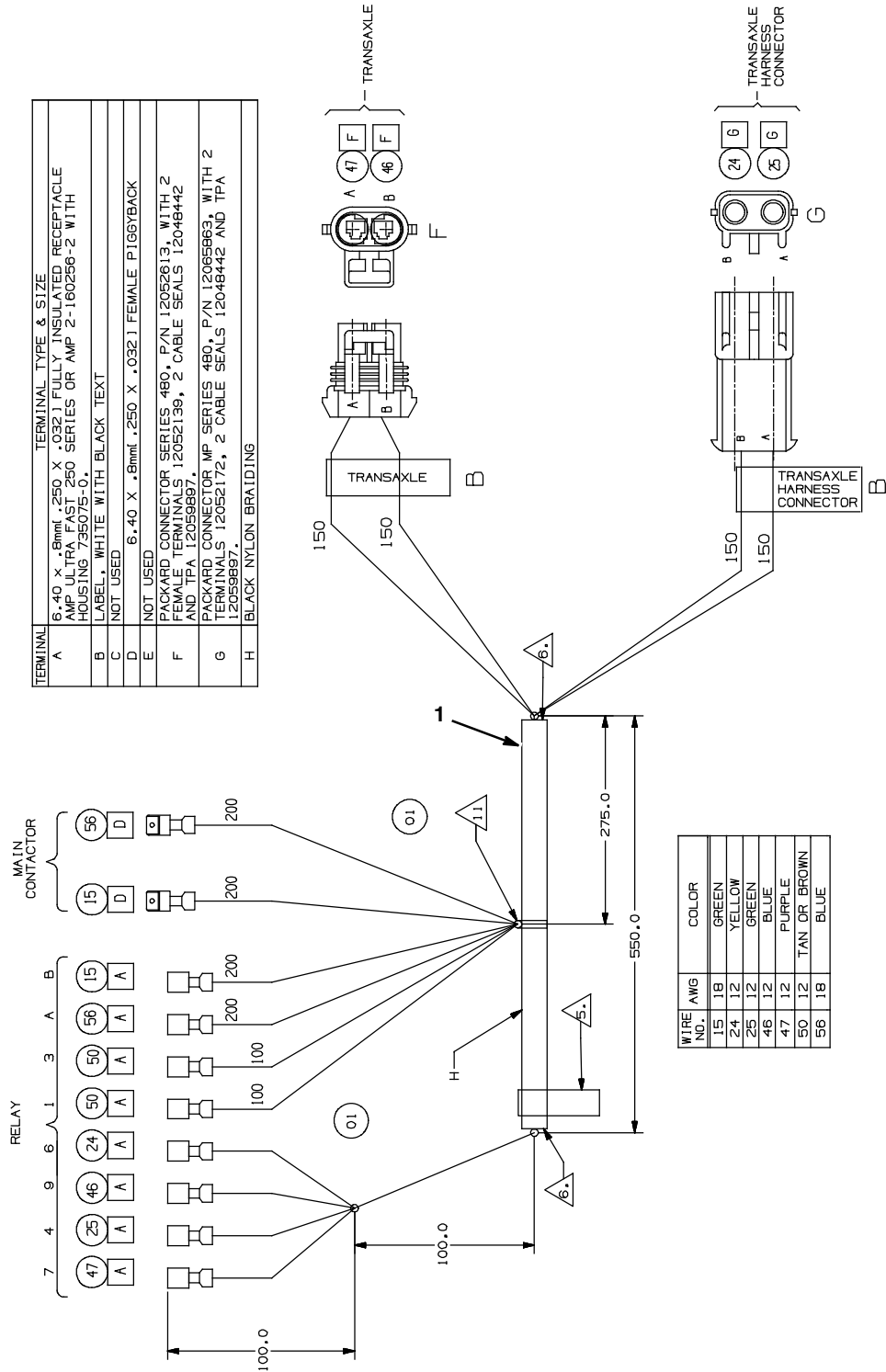
WIRE #	COLOR	AWG	mm ²
14C	YELLOW	18	.75
22	BROWN	18	.75

COMPONENT	DESCRIPTION
A	PLUG 2 CIRCUIT AMP .145 CENTER LINE CONNECTOR 250V, 7A P/N 770346-1, PIN TERMINALS P/N 794017 OR 350669-1.
B	CONNECTOR BODY 2M, 280MP / SERIES / SERIES, P.E. #1530002, 280MP / SERIES / SERIES, P.E. #1530001, 2 PER CONN.1) CONNECTOR T, P, 280MP / SERIES / SERIES, P.E. #1530011, 2 PER CONN.1) TERMINALS, MALE 280MP / SERIES 12048159 12 PER CONN.1)
C	BLACK NYLON BRAIDING.

Ref.	Part No.	Serial Number	Description	Qty.
1	1023757	(00000000-) Harness [Fast, Option, T5]	1

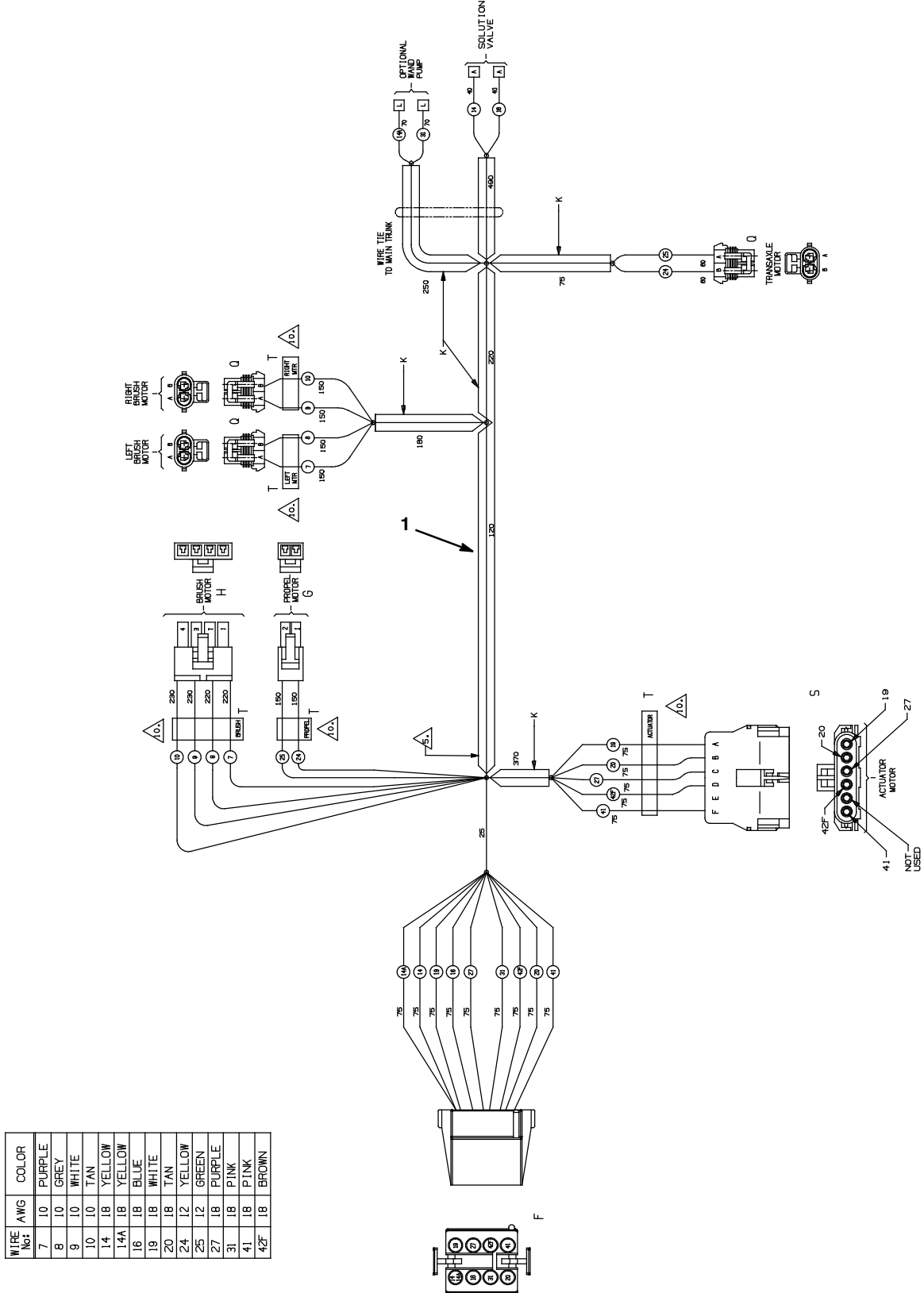
WIRE HARNESS GROUP, BRAKE

355125



Ref.	Part No.	Serial Number	Description	Qty.
1	1035576	(10306157-) Harness, Wire, Brake [T5, Na]	1

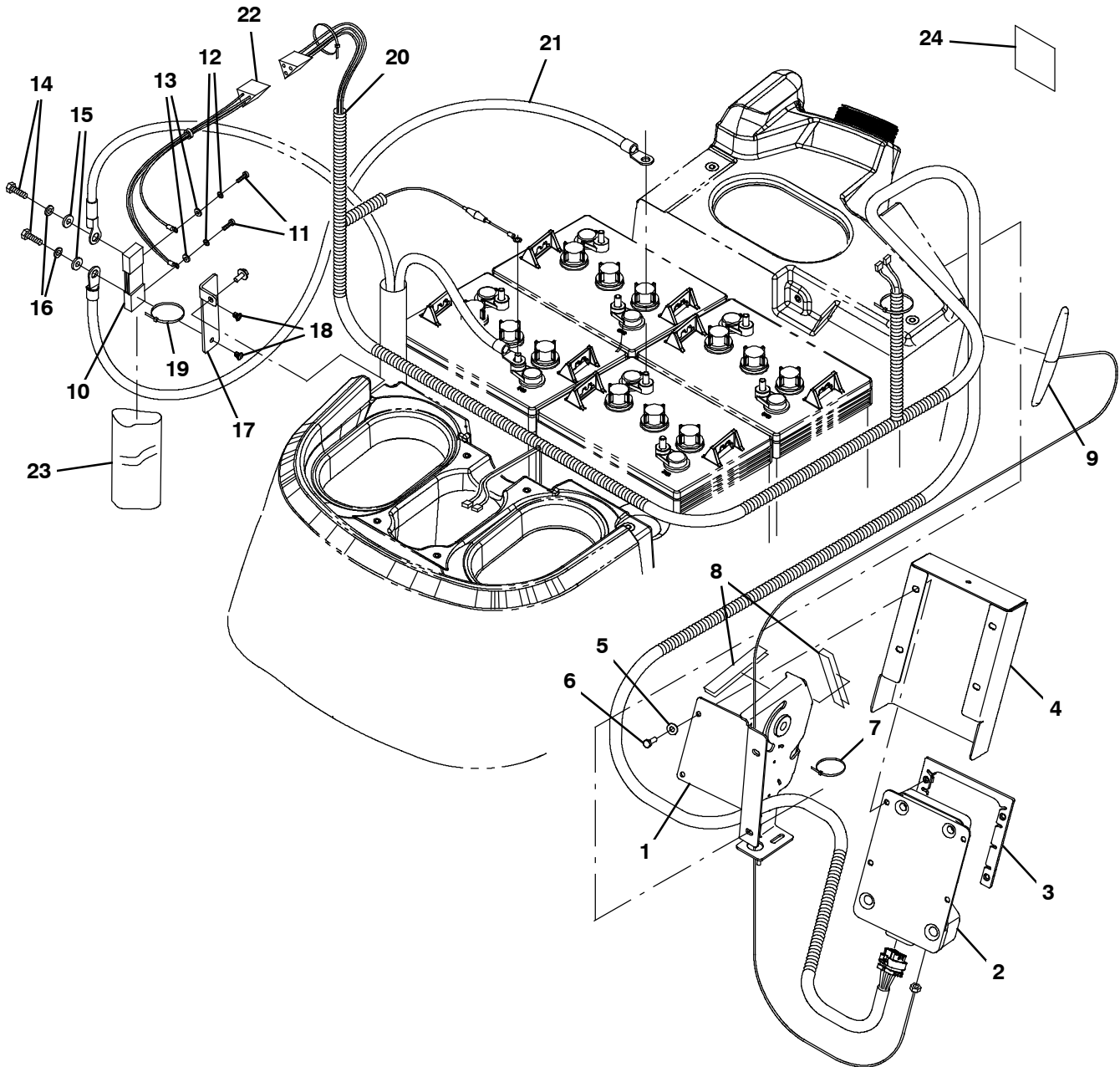
WIRE HARNESS GROUP, CHASSIS



Ref.	Part No.	Serial Number	Description	Qty.
1	1024588	(0000000-) Harness, Chassis, Wire, Us [T5]	1

IRIS TELEMETRY GROUP

355346



IRIS TELEMETRY GROUP

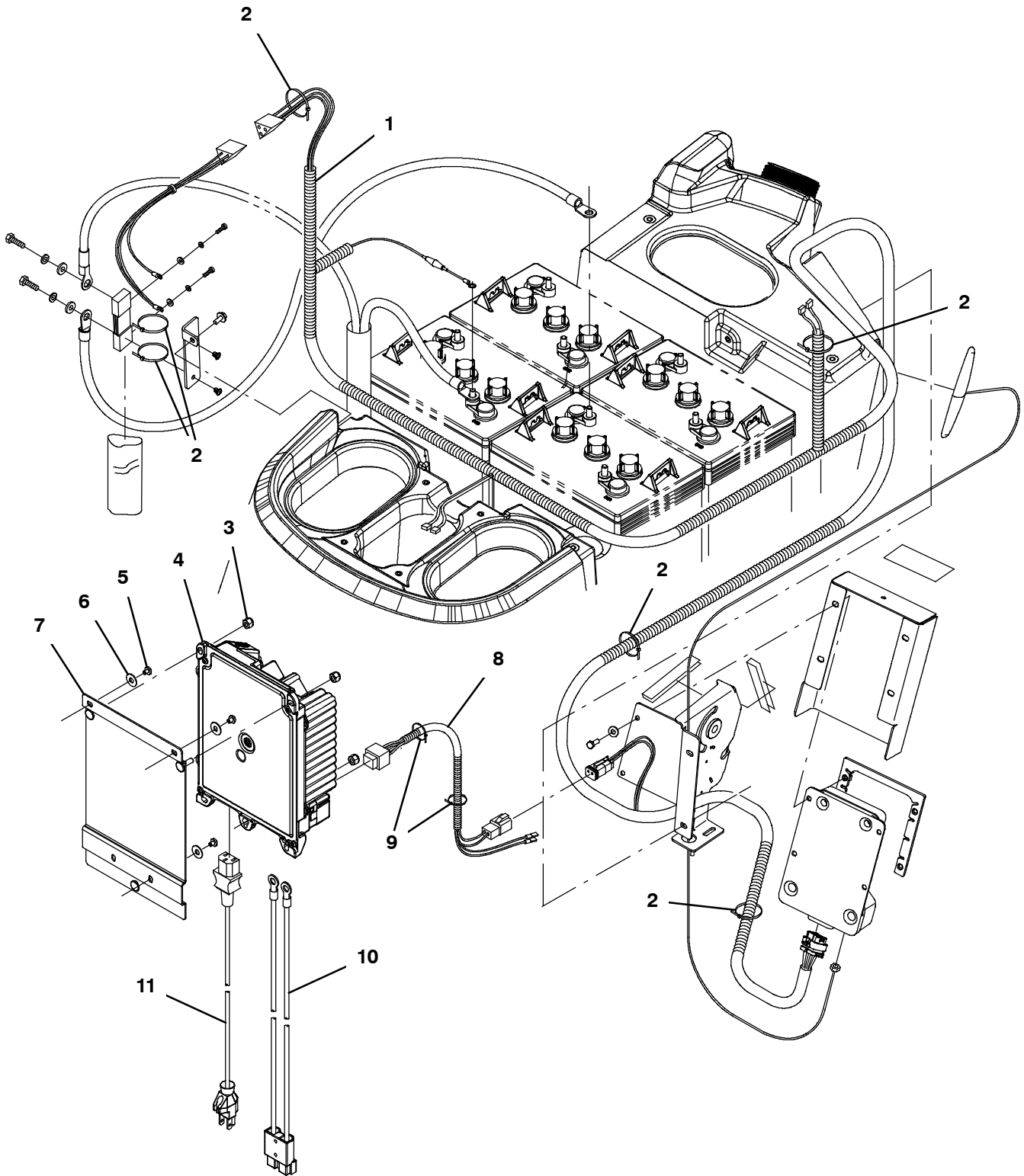
Ref.	Part No.	Serial Number	Description	Qty.	
1	1216224	(10742213-) Bracket Wldt, Lift, Sqge [T5]	1	
2	9010085	(10742213-) Control Box Assy Kit, Replmt, Telem[Usa]	1	
2	9010086	(10742213-) Control Box Assy Kit, Replmt, Telem[Intl]	1	
3	1216841	(10742213-) Guard Wldt, Controlbox	1	
4	1217789	(10742213-) Cover, Guard	1	
5	32483	(10742213-) Washer, Flat, 0.25, Sae	4	
6	06943	(10742213-) Screw, Hex, M6 X 1.00 X 20, 8.8	4	
7	130773	(10742213-) Tie, Cable, Nyl, 11.0l, .14w, 3.0 Max. D	1	
8	1006267	(10742213-) Seal, Edge, Foam, .37, .75w, Bulk	1	
9	1070659	(10742213-) Antenna, Telem, 70 In [Gprs]	1	
10	1217304	(10742213-) Shunt [Empro, 250amp/50mv, Metric]	1	
11	391403	(10742213-) Screw, Pan, Phl, M4 X 0.70 X 8, Ss	2	
12	02938	(10742213-) Washer, Lock, Int, 08, Ss	2	
13	41578	(10742213-) Washer, Flat, 06, Ss	2	
14	15675	(10742213-) Screw, Hex, M8 X 1.25 X 16, Ss	2	
15	01685	(10742213-) Washer, Flat, 0.38b 0.88d .08, Ss	2	
16	43952	(10742213-) Washer, Lock, Int, 0.31, Ss	2	
17	1215919	(10742213-) Bracket, Shunt	1	
18	1202868	(10742213-) Clip, Tie, 0.25d, Plstc	2	
19	130773	(10742213-) Tie, Cable, Nyl, 11.0l, .14w, 3.0 Max. D	9	
∇	20	1074445	(10742213-) Harness, Ele, Telem [T5]	1
▲		9009990	(10742213-) Vr, Fuse, 002a, 250vdc, Cartridge	1
	21	1070498	(10742213-) Cable, 4ga, Blk [6200e, Telemetry]	1
	22	1074595	(10742213-) Harness, Ele, Telem, Shunt	1
	23	1217818	(10742213-) Sleeve, Heatshrink, 1.50id, 07.0l	1
	24	1069580	(10742213-) Label, Mach, Telem [Usa, Intl]	1

∇ ASSEMBLY

▲ INCLUDED IN ASSEMBLY

IRIS TELEMETRY BATTERY MANAGER KIT

355595



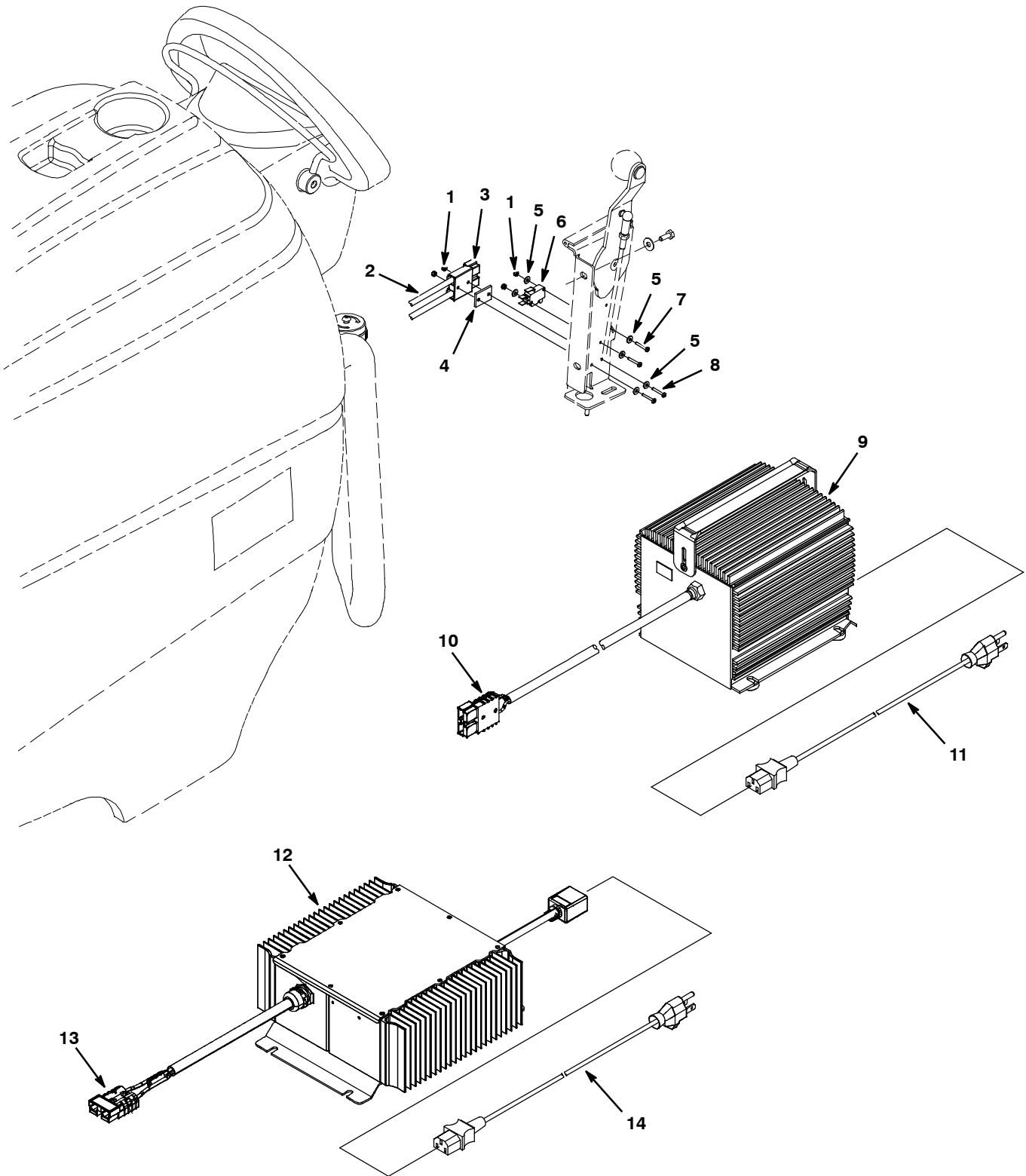
IRIS TELEMETRY BATTERY MANAGER KIT

Ref.	Part No.	Serial Number	Description	Qty.
▽	9015293	(00000000-) Harness Kit, Amii, Ci [T5] (Kit Needed to Add Iris Battery Manager Functionality to Telemetry Models With On- Board Charger Only)	1
▲▽	1 1074445	(00000000-) Harness, Ele, Telem [T5]	1
▲▲	9009990	(00000000-) Vr, Fuse, 002a, 250vdc, Cartridge	1
▲	2 130773	(00000000-) Tie, Cable, Nyl, 11.0l, .14w, 3.0 Max. D	6
▲	3 13513	(00000000-) Nut, Hex, Lock, .25- 28, NI	3
▲	4 1219460	(00000000-) Charger, 24vdc, 650w,100- 240vac [On Brd]	1
▲	5 06931	(00000000-) Screw, Pan, Phl, M5 X 0.80 X 6, 4.8	3
▲	6 01684	(00000000-) Washer, Flat, 0.27b 0.69d .05, Ss	3
▲	7 1214224	(00000000-) Bracket Wldt, Charger, Delta- Q, Plan B	1
▲	8 1075427	(00000000-) Harness, Ele, Telem [T5, Charger Comm.]	1
▲	9 130040	(00000000-) Tie, Cable, Nyl, 06.0l .12w	2
▲	10 1075426	(00000000-) Cable Assy, 10ga [T5, Amii, Telem]	1
	11 1025642	(00000000-) Cord, Power, 16/3, 15ft Blk [Us] (Not Included In Kit - Use Cord From Current On- Board Charger)	1

▽ ASSEMBLY

▲ INCLUDED IN ASSEMBLY

OFF-BOARD CHARGER GROUP



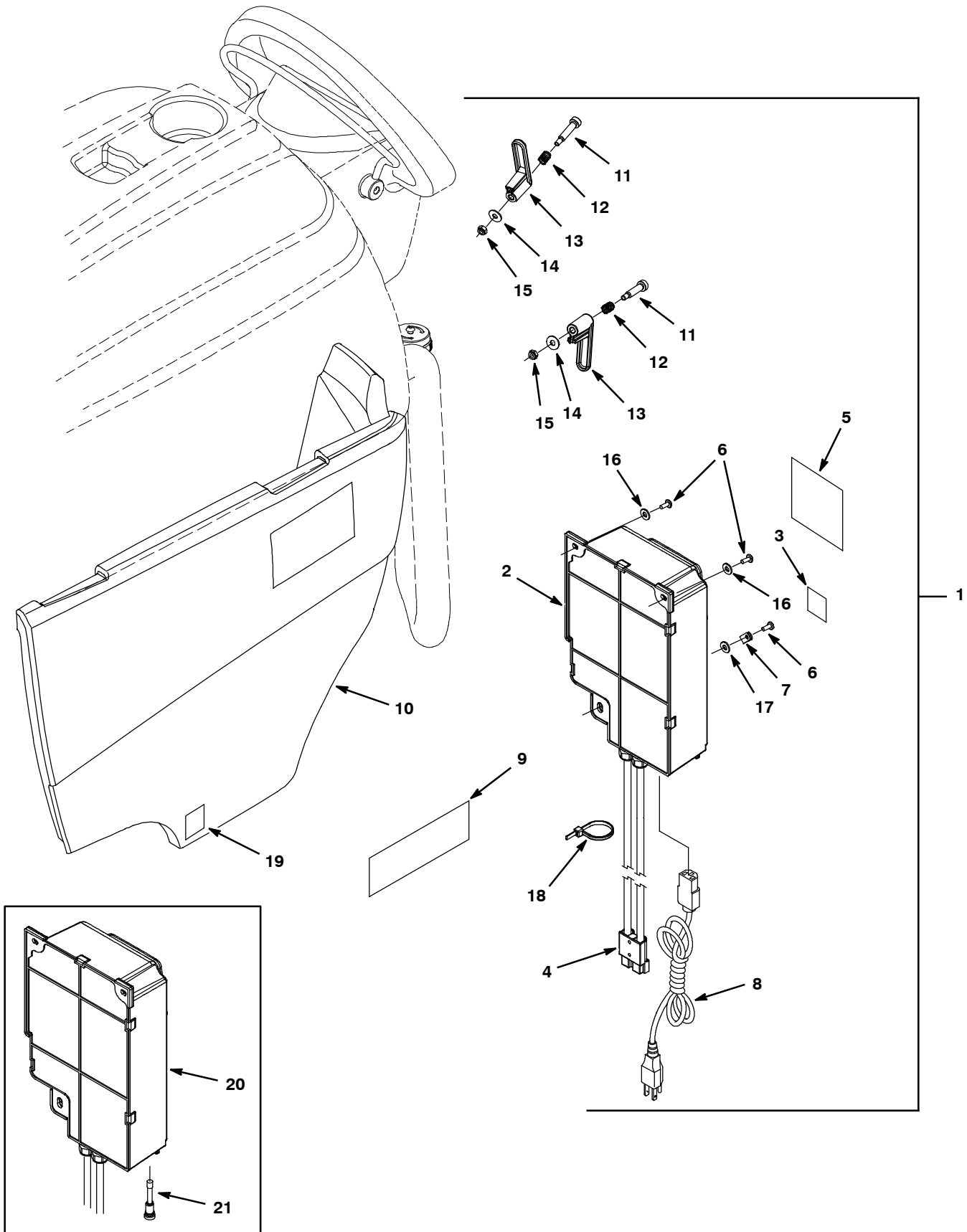
OFF-BOARD CHARGER GROUP

	Ref.	Part No.	Serial Number	Description	Qty.
	1	579211	(00000000-) Nut, Hex, Lock, M3 X .5, Ss	4
▽	2	1024514	(00000000-) Harness, Chrgr	1
▲	3	605387	(00000000-) Connector, 50a, Red W/O Contact[Anderson	1
	4	603331	(00000000-) Spacer, Chrgr Plug	1
	5	41578	(00000000-) Washer, Flat, #06, Ss	6
	6	611005	(00000000-) Switch, Rlr, 16a, Micro	1
	7	06922	(00000000-) Screw, Pan, M3 X 0.5 X 20, 4.8	2
	8	33933	(00000000-) Screw, Pan, M3 X 0.5 X 25, Ss	2
▽	9	1029256	(00000000-) Charger, 24vdc, 19a Var Vac 1ph 50/60hz	1
▲	10	605387	(00000000-) Connector, Anderson, 50a,Red W/O Contact	1
▲	11	1017079	(00000000-) Cord, Extn, 16ga /3, 010ft [Sjt]	1
▽	12	1043663	(00000000-) Charger, 24vdc 25a 100- 240vac 50/60hz (Japan)	1
▲	13	605387	(00000000-) Connector, Anderson, 50a,Red W/O Contact	1
	14	989584	(00000000-) Power Cord With Plug, [125v12a]#4.5m (Japan)	1

▽ ASSEMBLY

▲ INCLUDED IN ASSEMBLY

ON-BOARD CHARGER GROUP



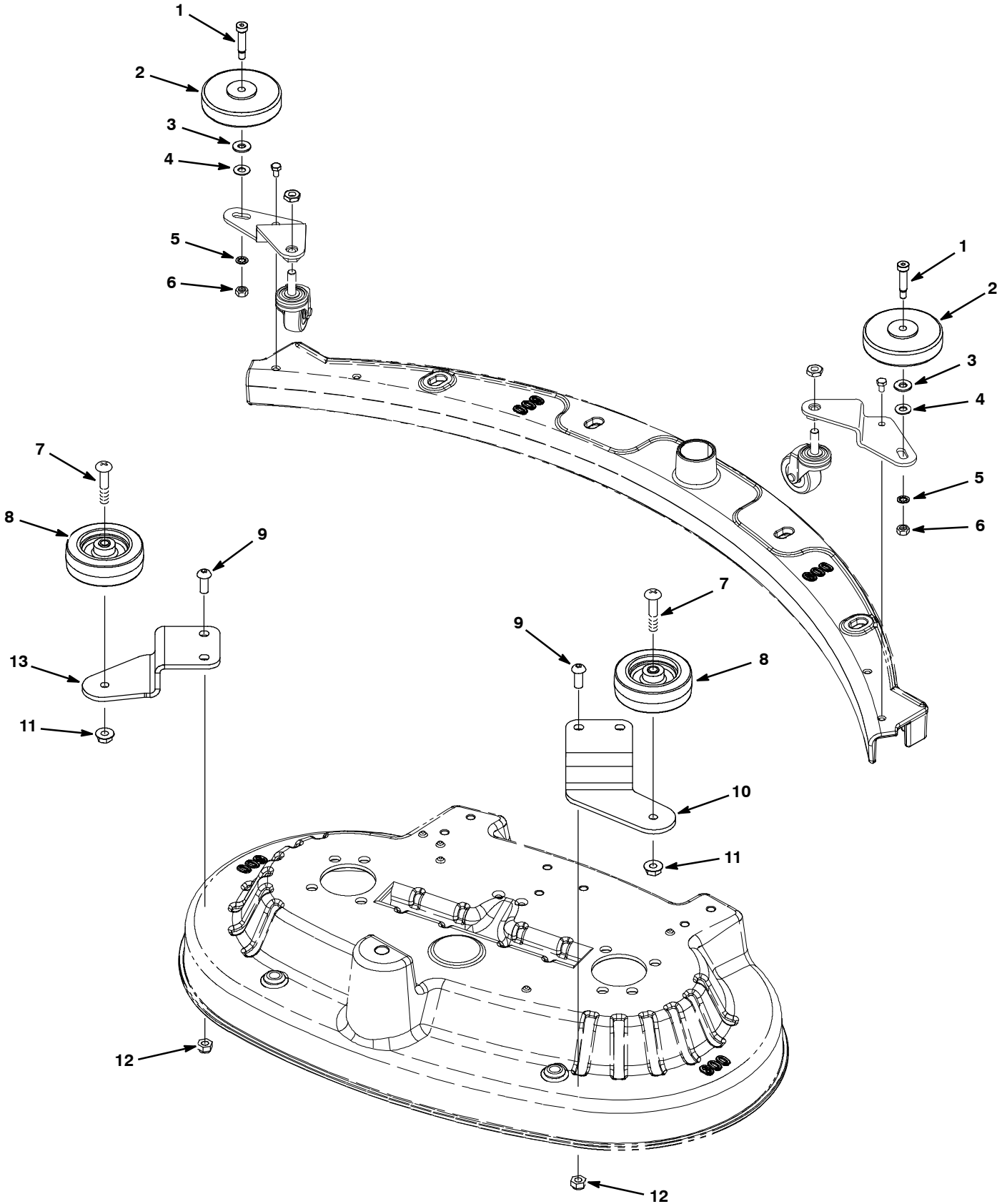
ON-BOARD CHARGER GROUP

Ref.	Part No.	Serial Number	Description	Qty.
▽	1	9003295	(10632988-) Charger Kit, Battery, Ci [120v T5 Na] (North America) (Charger Not Available Separately) (For Models With Out Iris Telemetry Battery Manager Functionality)	1
▽	1	9003296	(00000000-) Charger Kit, Batt, 230v, Fr/ [T5 Aust] (Australia)	1
▲▽	2	1042808	(00000000-) Charger, 230vac [Onboard, Export] (Australia)	1
▲▲	3	578768	(00000000-) Label, Hzrd, [Hazardous Voltage] Txtls	1
▲▲	4	605387	(00000000-) Connector, Anderson, 050a, Red [W/O Con] (North America Charger Only)	1
▲▲	5	1025158	(00000000-) Label, Charger, Afmkt	1
▲	6	609062	(00000000-) Screw, Pan, M5 X 0.80 X 16, Pozi, Ss	3
▲	7	26395- 2	(00000000-) Clamp, Cable, Stl, 0.38d X 0.38w, 1h	1
▲	8	1025642	(00000000-) Cord, Power, 16/3, 4.5 Meters, Blk [Us] (North America)	1
▲	8	1026325	(00000000-) Cord, Power, 1.0mm2 X 2.5 Meters [Aus] (Australia)	1
▲	9	1028175	(00000000-) Label, Instr [Charger Setting]	1
▲	10	1022059	(00000000-) Panel, Side, Rm- TI, Lh, Trimmed, W/Chrgr	1
▲	11	1024965	(00000000-) Bolt, Shld, 8mmd X 30, M6x1.0	2
▲	12	611311	(00000000-) Spring, Cmpr, 10.9d, 1.1w, 12.7l Mw Zn	2
▲	13	610906	(00000000-) Hook, Cord Viper	2
▲	14	01684	(00000000-) Washer, Flat, 0.27b 0.69d .05, Ss	2
▲	15	08712	(00000000-) Nut, Hex, Lock, M6 X 1.00, Ss, NI	2
▲	16	01683	(00000000-) Washer, Flat, 10, Ss	2
▲	17	01684	(00000000-) Washer, Flat, 0.27b 0.69d .05, Ss	1
▲	18	130773	(00000000-) Tie, Cable, Nyl, 11.0l, .14w, 3.0 Max. D	6
▲	19	600624	(00000000-) Label, Parking Brake, Symbol	1
▽	20	9008898	(00000000- 10632987) Charger, 120vac [Onboard] (North America)	1
▲	21	1030692	(00000000-) Vr, Fuse, Replmt, 15 Amp F/1022874 (North America) (For Chargers With External Fuse Replacement On Bottom Of Charger)	1
	21	1030746	(00000000-) Vr, Fuse, 10a, F/1025146- 1026909, Replmt (Australia) (For Chargers With External Fuse Replacement On Bottom Of Charger)	1

▽ ASSEMBLY

▲ INCLUDED IN ASSEMBLY

BUMPER WHEEL KIT



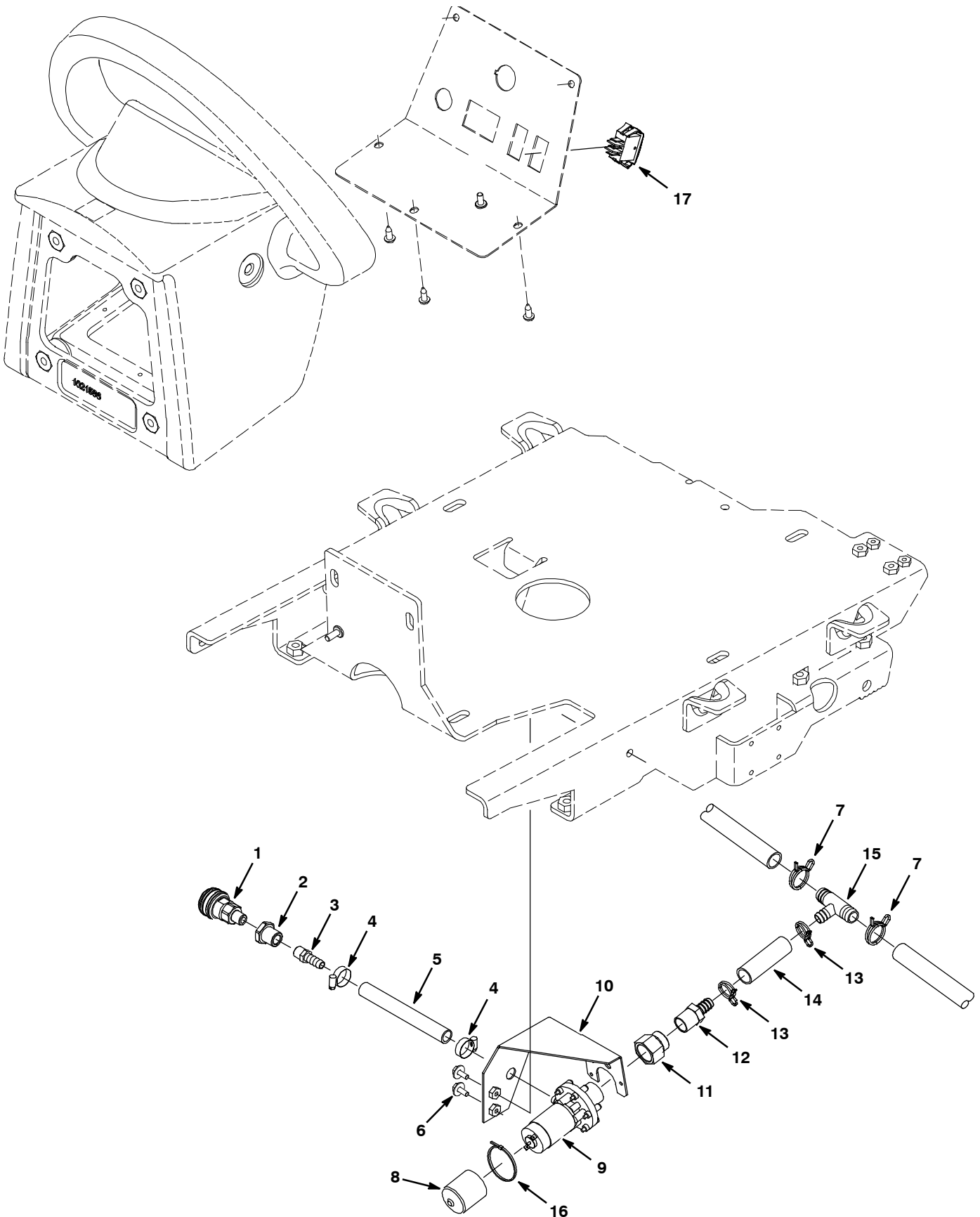
BUMPER WHEEL KIT

	Ref.	Part No.	Serial Number	Description	Qty.
▽		9004459	(00000000-) Wheel Kit, Bumper, Retrofit [T5]	1
▲	1	600187	(00000000-) Bolt, Shld, .38d X 1.25, .31- 18	2
▲	2	614317	(00000000-) Wheel, 04.0d 1.00w 0.38b, Rbr, Gray	2
▲	3	01685	(00000000-) Washer, Flat, 0.38b 0.88d .08, Ss	2
▲	4	069762311	(00000000-) Washer, Flat, M7.9b X 19d X 1.7 Ss	2
▲	5	43952	(00000000-) Washer, Lock, Int, 0.31, Ss	2
▲	6	140506	(00000000-) Nut, Hex, Std, .31- 18, Ss	2
▲	7	606983	(00000000-) Screw, Trs, M8 X 1.25 X 40, Phl, Pl	2
▲	8	1014918	(00000000-) Wheel, 03.0d 0.88w 0.31b, W/ Bshg, Rbr	2
▲	9	393135	(00000000-) Screw, Btn, M8 X 1.25 X 20, Blk	4
▲	10	1023268	(00000000-) Bracket, Roller, Wall, Scb Head, 70cm	1
▲	11	07791	(00000000-) Nut, Hex, Flng, M8 X 1.25	2
▲	12	08713	(00000000-) Nut, Hex, Lock, M8 X 1.25, NI, Ss	4
▲	13	1022344	(00000000-) Bracket, Roller, Wall, Scb Head, 60cm	1

▽ ASSEMBLY

▲ INCLUDED IN ASSEMBLY

WAND PUMP KIT



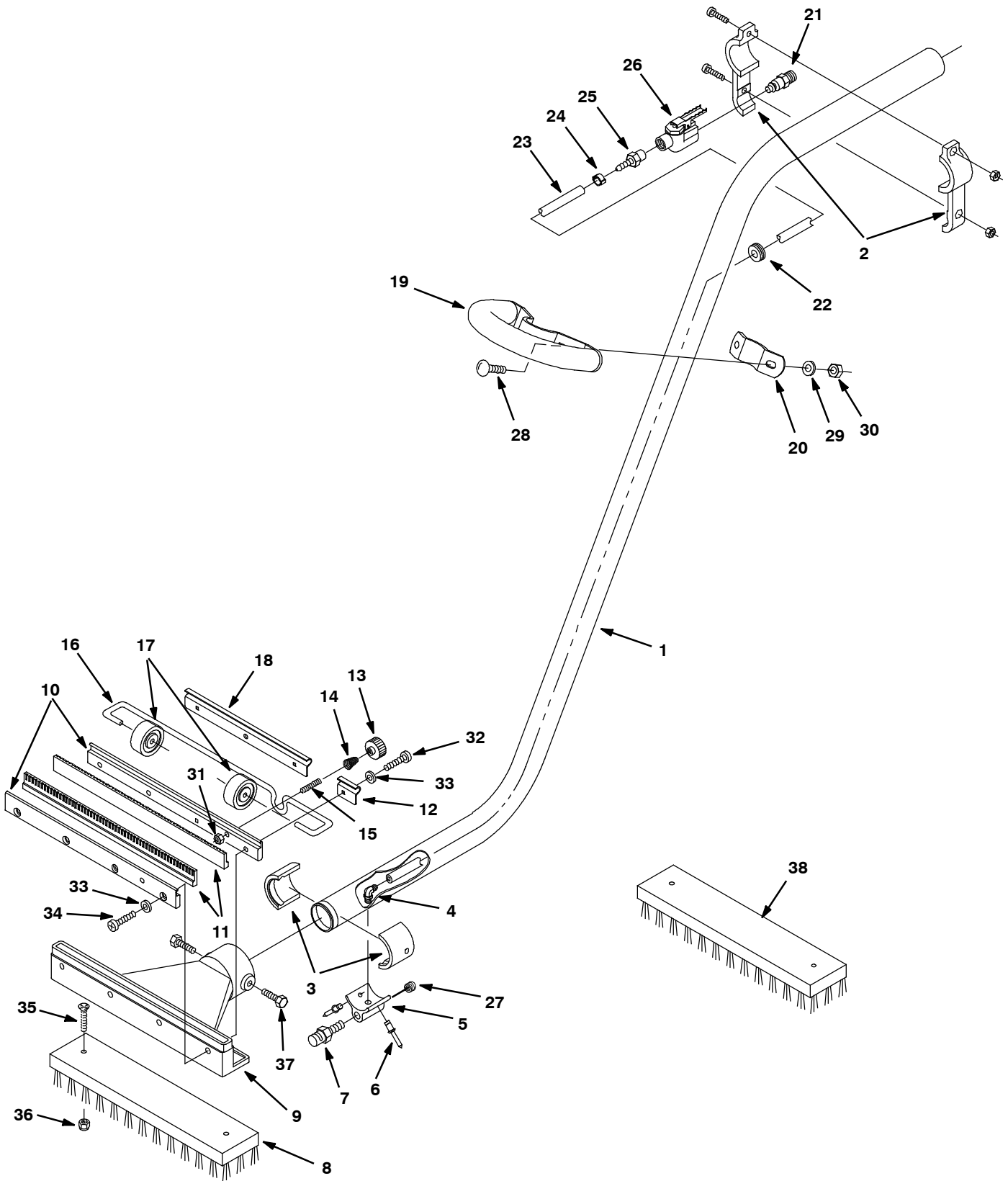
WAND PUMP KIT

	Ref.	Part No.	Serial Number	Description	Qty.
▽		9003398	(00000000-) Pump Kit, Wand, Power, Ci [T5]	1
▲	1	608292	(00000000-) Connection, Quick, Fem .375" X .25" Npt	1
▲	2	78122	(00000000-) Fitting, Brs, Str, Pf04/Pf04, Bh	1
▲	3	150516	(00000000-) Fitting, Brs, Str, Pm04/Bm06	1
▲	4	54333	(00000000-) Clamp, Hose, Wormdrive, 0.31- 0.88d, .31w	2
▲	5	575501000	(00000000-) Hose 3/8idx5/8odx8" (376720)	1
▲	6	1034731	(00000000-) Screw, Hex, M6 X 1.00 X 16, Sems, Ss	2
▲	7	1041978	(00000000-) Clamp, Hose, Wir, .85 - .90, Silver	2
▲	8	605064	(00000000-) Cap, Vinyl, 1.38 D 1.6l	1
▲	9	630136	(00000000-) Pump, Soltn, Ele, 24vdc, 3116" Term 3/4"	1
▲	10	1023515	(00000000-) Bracket, Mtg, Pump, Wand	1
▲	11	150017	(00000000-) Fitting, Brs, Str, Pf08/Pf12, Cplg[Redr]	1
▲	12	1023581	(00000000-) Fitting, Plstc, Str, Bm08/Pm08, Nyl	1
▲	13	607776	(00000000-) Clamp, Hose, Wir, .73 - .77, Silver	2
▲	14	613521	(00000000-) Hose, Pvc, Clr, 0.50id 0.75od 012.0l	1
▲	15	1015486	(00000000-) Fitting, Plstc, Tee, Bm08/Bm10/Bm10, Br	1
▲	16	130773	(00000000-) Tie, Cable, Nyl, 11.0l, .14w, 3.0 Max. D	2
▲	17	130787	(00000000-) Switch, Rocker, Spdt	1

▽ ASSEMBLY

▲ INCLUDED IN ASSEMBLY

DELUXE POWER WAND GROUP



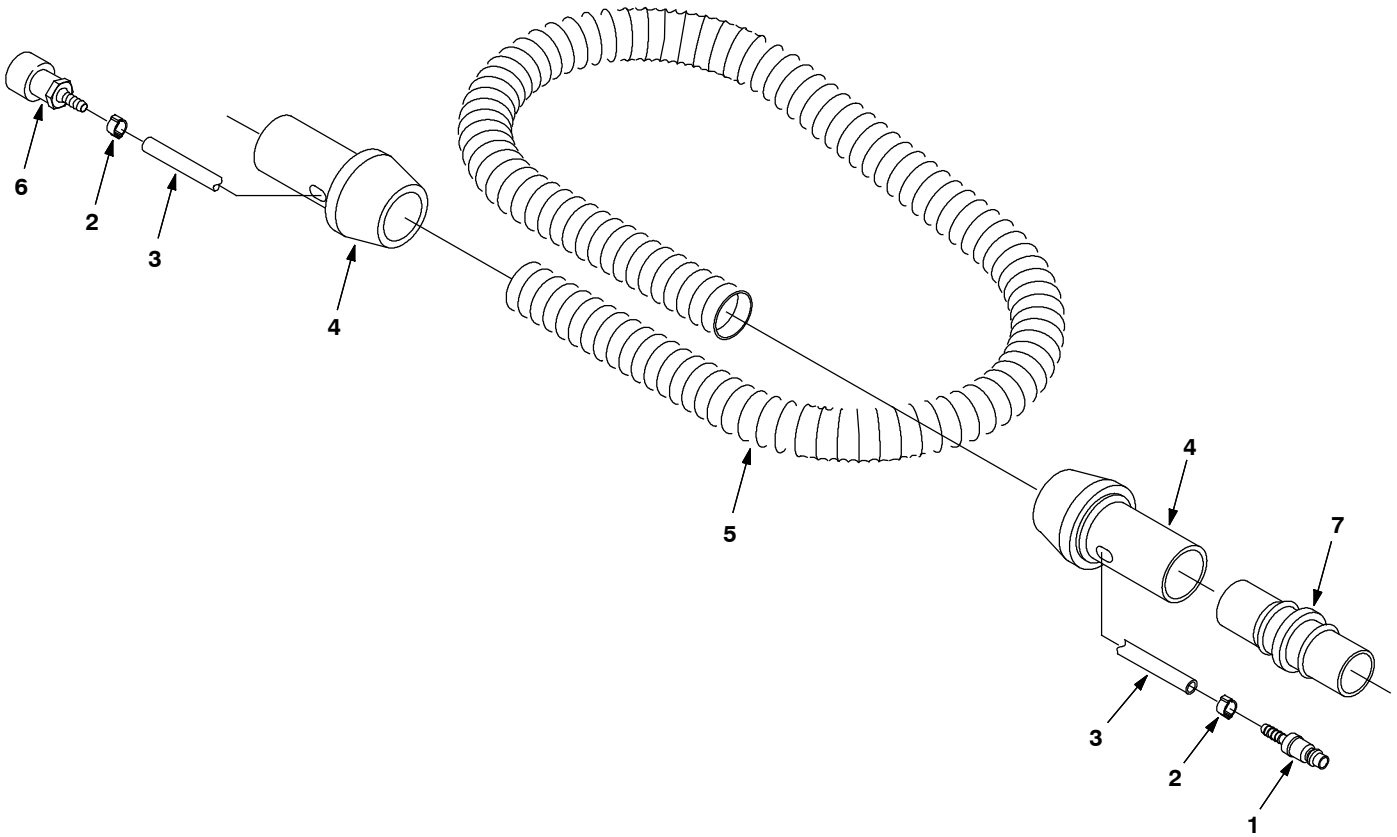
DELUXE POWER WAND GROUP

Ref.	Part No.	Serial Number	Description	Qty.
▽	65340	(00000000-) Wand Assy, Power	1
▲	1 578060000	(00000000-) Wand, Dbl Bend, 38.1mmd	1
▲	2 578077000	(00000000-) Bracket Valve Mounting Wand	1
▲	3 578061000	(00000000-) Adapter, Head / Wand	2
▲	4 1037595	(00000000-) Fitting, Plstc, E90, Bm04/Pm02, Nyl	1
▲	5 579112	(00000000-) Fitting Spray Nozzle Adapter	1
▲	6 602036000	(00000000-) Rivet, Blind	2
▲	7 578066000	(00000000-) Fitting, Brs, Tip [75, .125k- Jet]	1
▲	8 65610	(00000000-) Brush, Power Wand, W/ Fastener, Pyp	1
▲	9 578063000	(00000000-) Head, Wand	1
▲	10 578078000	(00000000-) Retainer, Sqge, Wand	2
▲	11 578074000	(00000000-) Blade, Sqge, 300.8mml, Wand	2
▲	12 578124000	(00000000-) Bracket,Axle,1hole	1
▲	13 578439	(00000000-) Nut, Thumb, M6 X 1.0, 30d	1
▲	14 613732	(00000000-) Spring, Cmpr, Conical 15mm	1
▲	15 578143000	(00000000-) Screw, Set, M6 X 1.0 X 40, Cuppt, Ss	1
▲	16 578126000	(00000000-) Axle,Wand	1
▲	17 578125000	(00000000-) Wheel, 41.3d, 19.1w, Rbr	2
▲	18 578123000	(00000000-) Bracket,Axle,3hole	1
▲	19 578155000	(00000000-) Handle Wldt, Wand	1
▲	20 578154000	(00000000-) Bracket Handle Wand	1
▲	21 578091000	(00000000-) Fitting, Brs, Qdc, Pm04, Plug	1
▲	22 578164000	(00000000-) Grommet,0.38"Id,0.62"Gd,.06"Gw	1
▲	23 578821000	(00000000-) Hose 1/4id X 3/8od X 1.22m	1
▲	24 578161000	(00000000-) Clamp, Hose, Ear, 8- 11mm, Ss	1
▲	25 578094000	(00000000-) Fitting, Nyl, Str, Pm04/Bm04	1
▲	26 578064000	(00000000-) Valve, Cntrl, Water	1
▲	27 150208	(00000000-) Fitting, Brs, Str, Pm02, Plug [Skhd]	1
▲	28 20399	(00000000-) Bolt, Carriage, .25- 20 X 0.75	2
▲	29 200304017	(00000000-) Washer, Flat, M6.4 X 13 X 1.6, Pl	2
▲	30 41169	(00000000-) Nut, Hex, Lock, .25- 20, NI, Ss	2
▲	31 07785	(00000000-) Nut, Hex, Std, M6 X 1.0, A2, Ss	1
▲	32 1026454	(00000000-) Screw, Pan, M5 X 0.8 X 10, Ss	4
▲	33 07514	(00000000-) Washer, Lock, Int, #10, Ss	8
▲	34 578144000	(00000000-) Screw, Pan, M5 X 0.8 X 16,Phl,Ss,Dn7985a	4
▲	35 578566	(00000000-) Screw 4x30 Fltphl Ss	2
▲	36 33932	(00000000-) Nut, Hex, Lock, M4 X 0.7, NI, Ss	2
▲	37 140885	(00000000-) Screw, Trs, .25- 20 X 0.50, Phl, Ss	2
▲	38 65582	(00000000-) Brush, Power Wand, W/ Fastener, Abr (Optional)	1

▽ ASSEMBLY

▲ INCLUDED IN ASSEMBLY

POWER WAND HOSE GROUP

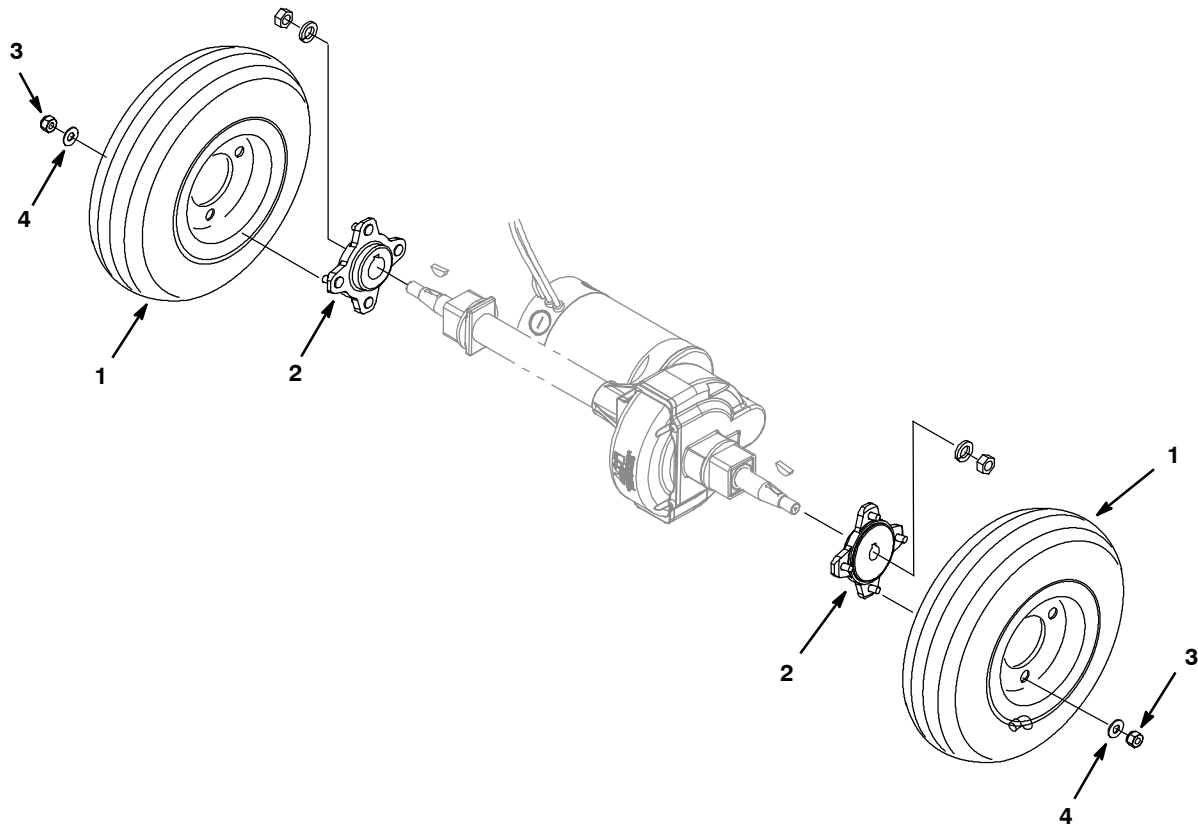


Ref.	Part No.	Serial Number	Description	Qty.
▽	65341	(00000000-) Hose Assy, Wand, Power	1
▲	1	578318000	(00000000-) Fitting, Stl, Qdc, Bm04	1
▲	2	578160000	(00000000-) Clamp, Hose, Ear, 11- 13mm, Ss	2
▲	3	578820000	(00000000-) Hose, Pvc, 0.25id X 157l	1
▲	4	578072000	(00000000-) Cuff, Swivel, 1.5 Blk	2
▲	5	1052212	(00000000-) Hose, Vacuum, 1.50id X 10ft, Gray	1
▲	6	578071000	(00000000-) Fitting, Brs, Qdc, Bm04/Pf04	1
	7	12694	(00000000-) Fitting, Plstc, Str, Bm24/Bm24	1

▽ ASSEMBLY

▲ INCLUDED IN ASSEMBLY

OPTIONAL WHEEL KIT

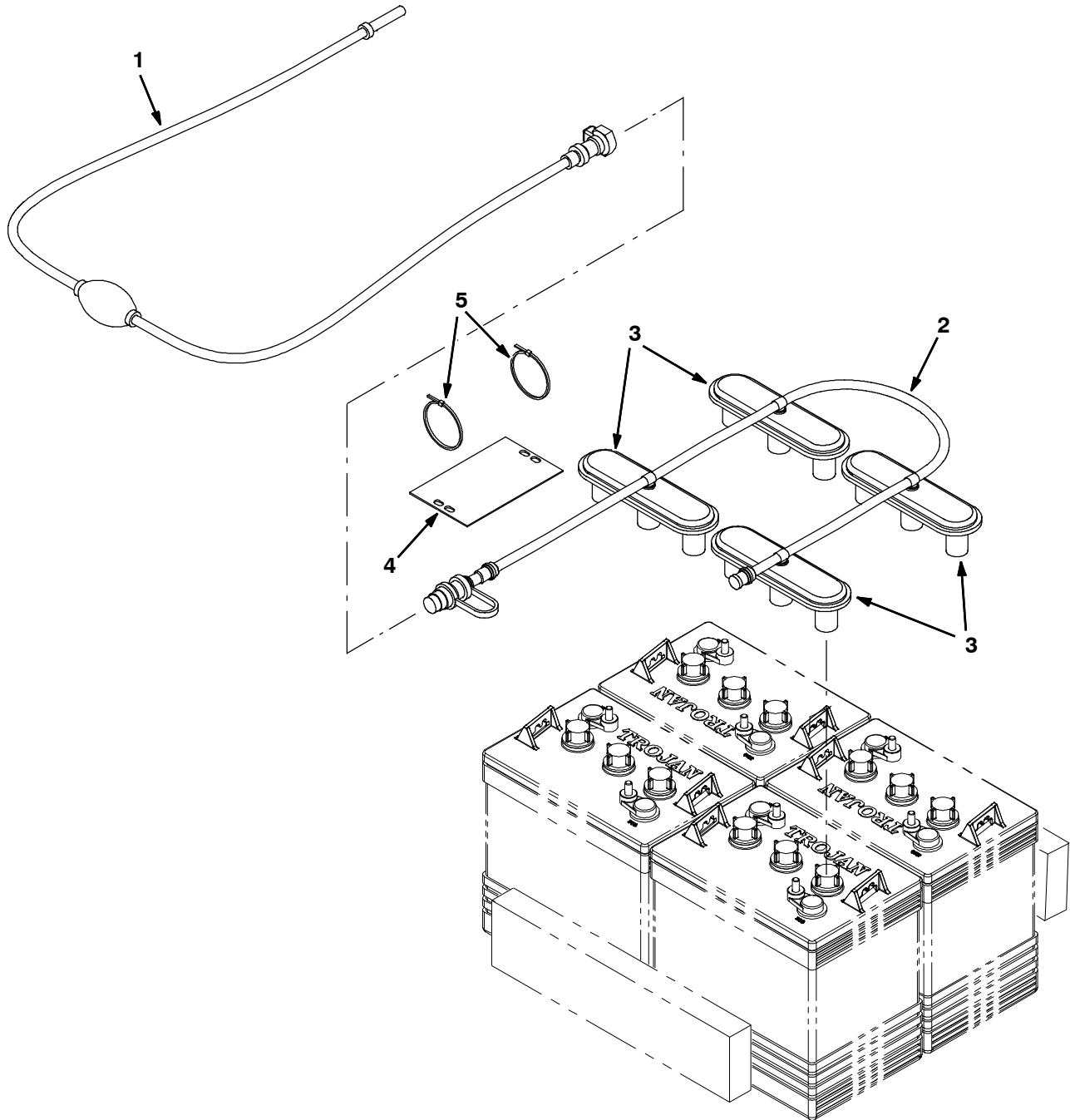


Ref.	Part No.	Serial Number	Description	Qty.
▽	9004903	(00000000-) Wheel Kit, Pneumatic, Ci [T5 T5e Ss5]	1
▲ 1	1059452	(00000000-) Tire Assy, Pneu, Grey, 2.8/2.5-04 2.75bc	2
▲ 2	1048125	(00000000-) Hub, Wheel [Tapered Shaft]	2
▲ 3	08712	(00000000-) Nut, Hex, Lock, M6 X 1.00, NI, Ss	8
▲ 4	140000	(00000000-) Washer, Flat, 0.28b 0.62d .04, Ss	8
▽	9004904	(00000000-) Wheel Kit, Foam Filled, Ci [T5 T5e Ss5]	1
▲ 1	1068472	(00000000-) Tire Assy, Foam, Hi- Dns, Grey,2.8/2.5-04	2
▲ 2	1048125	(00000000-) Hub, Wheel [Tapered Shaft]	2
▲ 3	08712	(00000000-) Nut, Hex, Lock, M6 X 1.00, NI, Ss	8
▲ 4	140000	(00000000-) Washer, Flat, 0.28b 0.62d .04, Ss	8

▽ ASSEMBLY

▲ INCLUDED IN ASSEMBLY

HYDROLINK® BATTERY WATERING SYSTEM KIT



Ref.	Part No.	Serial Number	Description	Qty.
▽	9010300	(00000000-) Watering Kit, Battery, 24vdc, Ci [Trojan]	1
▲ 1	1058939	(00000000-) Kit, Pump, Fill, Battery	1
▲ 2	1229544	(00000000-) Tube, Water, Battery, 24vdc [Trojan]	1
▲ 3	1204142	(00000000-) Cap, Watering, Battery [Trojan]	4
▲ 4	1071084	(00000000-) Label, Tag, Battery [Hydrolink Watering]	1
▲ 5	130773	(00000000-) Tie, Cable, Nyl, 11.0l, .14w, 3.0 Max. D	2

▽ ASSEMBLY

▲ INCLUDED IN ASSEMBLY

HYDROLINK® IS A REGISTERED TRADEMARK OF TROJAN BATTERY COMPANY.

