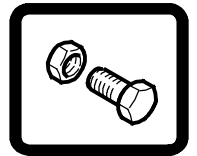




T260

WALK-BEHIND FLOOR SCRUBBER

Parts Manual



China / International



To view, print or download
Tennant manuals, visit:

www.tennantco.com/manual

9022255
Rev. 00 (07-2022)



Only use TENNANT Company supplied or equivalent parts. Parts and supplies may be ordered online, by phone or from any Tennant Authorized Service Center or Distributor.

Before Ordering any parts or supplies, be sure to have the machine model number and serial number available.

TABLE OF CONTENTS

RECOMMENDED SPARE PARTS	3
STANDARD PARTS	4
MAIN FRAME GROUP	4
ELECTRICAL GROUP	6
CONTROL PANEL GROUP	8
WHEEL ASSEMBLY	10
MOTOR ASSEMBLY	12
SOLUTION TANK GROUP	14
SCRUB HEAD GROUP	1
HOSE GROUP	18
RECOVERY TANK GROUP	20
SQUEEGEE ADJUSTMENT GROUP	22
SQUEEGEE LIFT GROUP	24
SQUEEGEE ASSEMBLY	26

TENNANT Cleaning Systems & Equipment (Shanghai) Co., Ltd
Room 608, Building 5, Lane 928 Shenhong Road
Shanghai, 201106
People's Republic of China
Phone: 86 21 6700 8000
www.tennant.co.cn

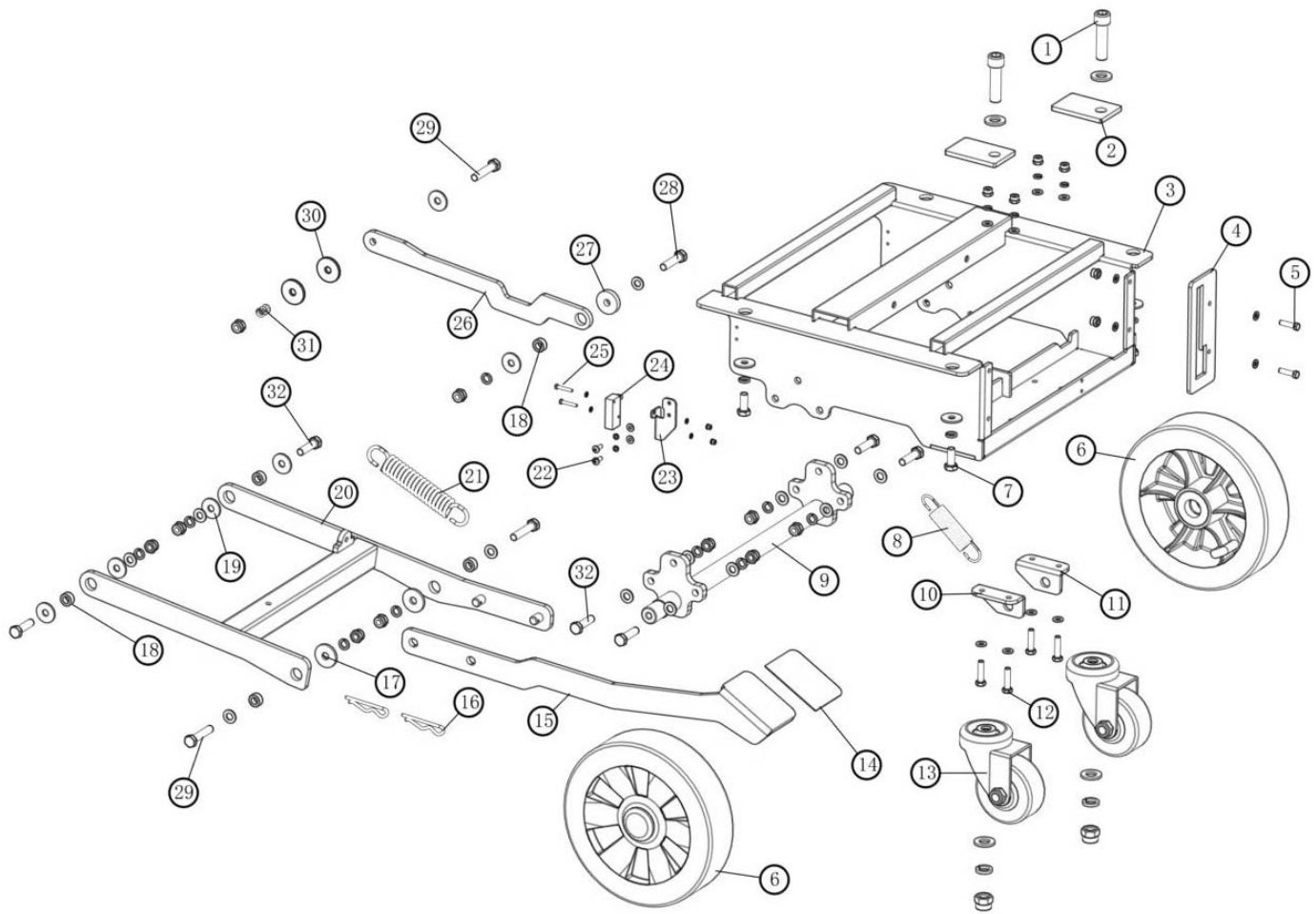
Specifications and parts are subject to change without notice.

Copyright © 2022 TENNANT Company

RECOMMENDED SPARE PARTS

Part No.	Description
CN5006244	Brush T260
CN5006234	Filter, Tank Solto [T260]
1203954	Blade, Sqge, Front, 788l, Linatex[500mm]
1203953	Blade, Sqge, Rear, 836l, Linatex[500mm]
CN5003089	Waste Water Tank Level Sensor
CN5001636	100A Fuse
CN5001643	5A Overload Protector
CN5002458	Vacuum Fan Motor
CN5003686	Waste Water Tank Cover Seal
CN5002833	Waste Water Tank Drain Hose
CN5002836	Waste Water Tank Suction Hose
CN5006241	Splash Skirt
CN5006246	T260 Solution Tank Cover Seal (420 mm)
CN5005723	Waste Water Filter Box Cover
CN5005711	Waste Water Strainer
CN5002310	Rear Wheel
630477	Squeegee Caster

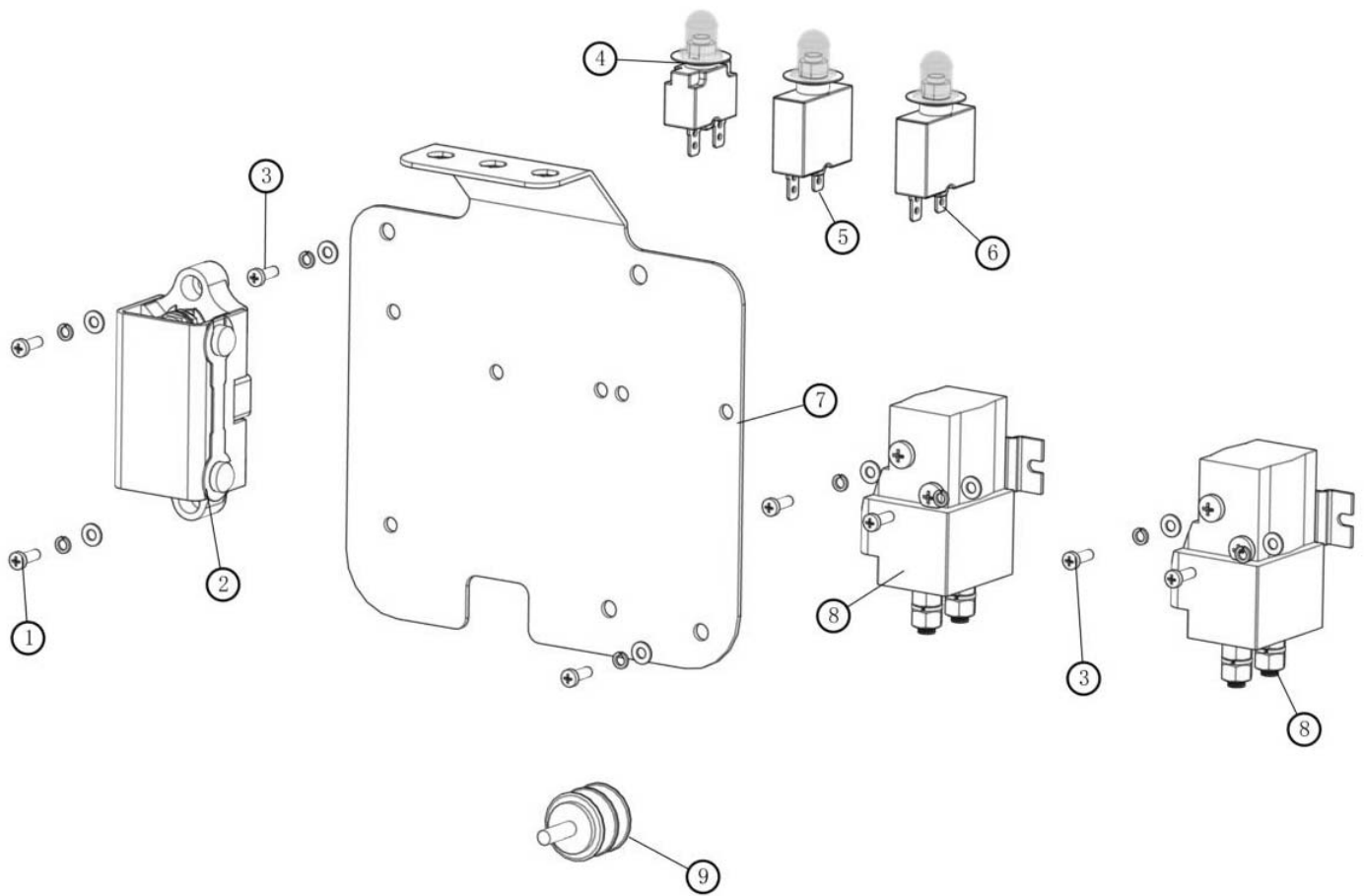
MAIN FRAME GROUP



MAIN FRAME GROUP

Ref.	Part No.	Serial Number	Description	Qty.
1	CN4000228	(00000000-) M12x45 Hexagon Socket 12.9 Class	2
2	CN5006125	(00000000-) 45castor Plate	2
3	CN5006077	(00000000-) 45b Chassis	1
4	CN5006085	(00000000-) 45 Foot Arm Limit Plate	1
5	CN4000062	(00000000-) The M5 x 20 Hex	2
6	CN5002310	(00000000-) 50b Die- Cast Aluminum Alloy Rear Wheel	2
7	CN4000093	(00000000-) M8 x 20 Hex	4
8	CN5006067	(00000000-) R45 Suction Pull Spring	1
9	CN5006078	(00000000-) 45b Wheel	1
10	CN5006083	(00000000-) 45 Sucking And Scraping Fixed Frame Left	1
11	CN5006084	(00000000-) 45 Suction And Grab Fixing Frame Right	1
12	CN4000072	(00000000-) M6 x 25 Hex	4
13	CN4000699	(00000000-) Gm50b Universal Wheel, 3x1.25 Gray Hol	2
14	CN4000766	(00000000-) Side Brush Pedal Non- Slip Pad	1
15	CN5006236	(00000000-) Plate,Pedal Arm [T260]	1
16	CN4000904	(00000000-) R Pin 2 x 40	2
17	CN4000375	(00000000-) M8 Extra- Large Gasket, 8.4x24x2mm	2
18	CN5005669	(00000000-) S56b Brush Disc Rotor Arm Bushing (New	5
19	CN4000374	(00000000-) M8 Increase The Gasket, 8.4x20x1.5	5
20	CN5006235	(00000000-) Plate, Motor Connector [T260]	1
21	CN5006042	(00000000-) S56 Brush Housing Spring	1
22	CN4000040	(00000000-) M4x10 Large Pan Head Cross	2
23	CN5006089	(00000000-) Brush Disk Sensor Mounting Plate	1
24	CN5006133	(00000000-) Micro Switch,Sb1- 16z4- D200	1
25	CN4001133	(00000000-) M3x20 Big Pan Head Cross	2
26	CN5006238	(00000000-) Plate,Right,Brush Set [T260]	1
27	CN5006086	(00000000-) 45 Connecting Rod Gasket	1
28	CN4000091	(00000000-) M8 x 35 Hex	1
29	CN4000094	(00000000-) M8 x 40 Hex	3
30	CN5005713	(00000000-) S56b Brush Disc Right Connecting Rod	2
31	CN5005977	(00000000-) Brush Plate Right Connecting Rod Spring	1
32	CN4000090	(00000000-) M8 x 30 Hex	6

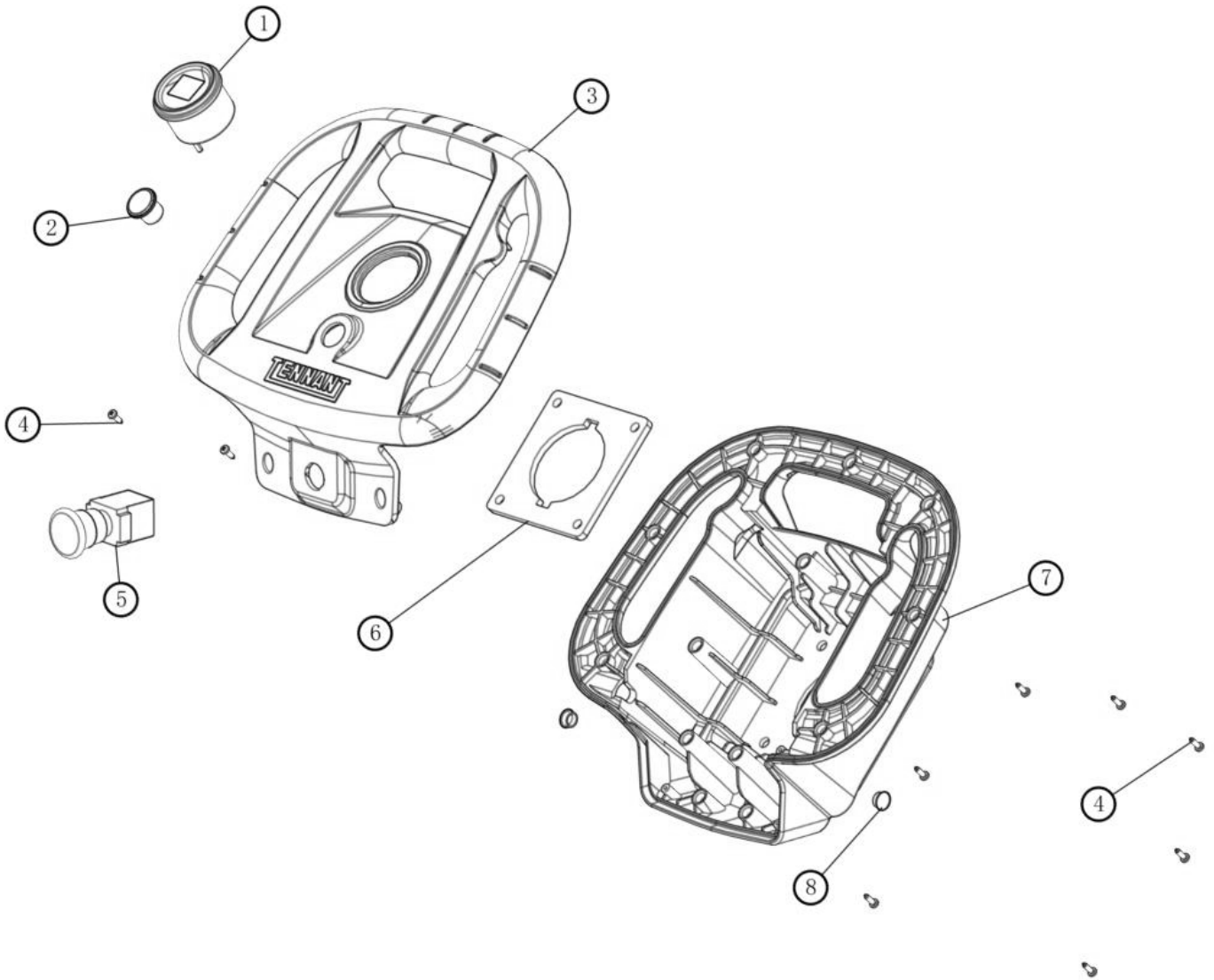
ELECTRICAL GROUP



ELECTRICAL GROUP

Ref.	Part No.	Serial Number	Description	Qty.
1	CN4000194	(00000000-) M4x14 Large Pan Head Cross	2
2	CN5001636	(00000000-) 100a Box. 100a	1
3	CN4000038	(00000000-) M4x12 Large Pan Head Cross	6
4	CN5001643	(00000000-) 5a Protector (With Waterproof Cap), 5a	1
5	CN5001647	(00000000-) 25a Protector (Including Waterproof Cap)	1
6	CN5001644	(00000000-) 30a Protector (With Waterproof Cap)	1
7	CN5006242	(00000000-) Plate,Electric Fixing [T260]	1
8	CN5001703	(00000000-) New Dc Contactor Sw60- 40p	2
9	CN5001698	(00000000-) Insulated Pile Head Gm110	1

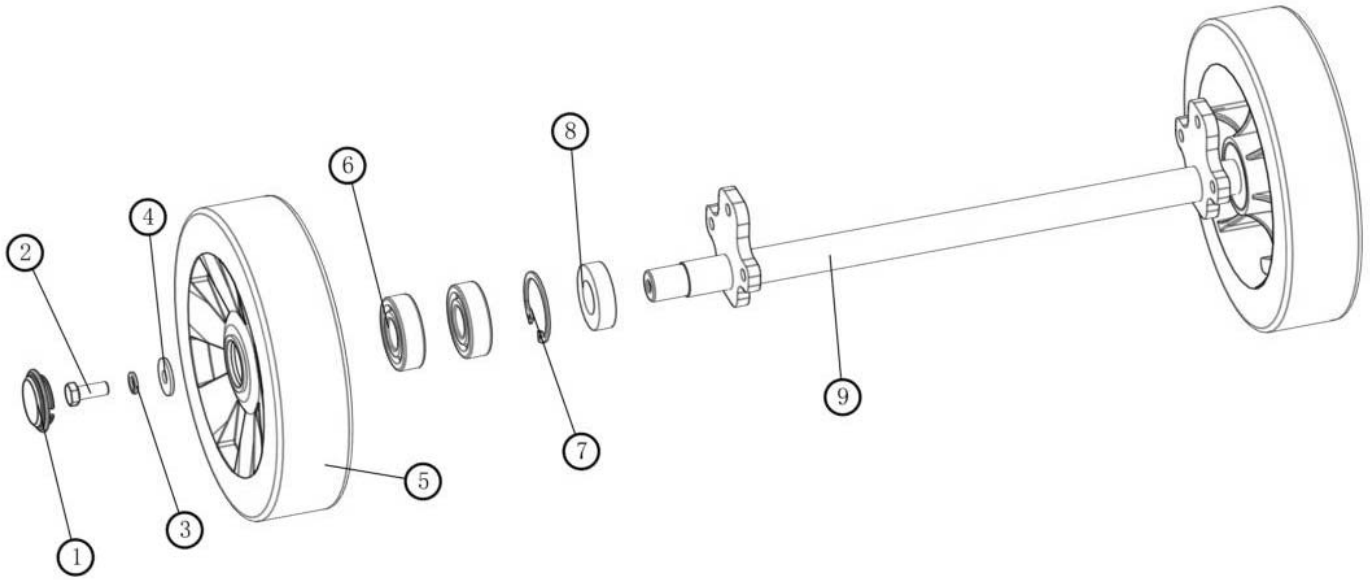
CONTROL PANEL GROUP



CONTROL PANEL GROUP

Ref.	Part No.	Serial Number	Description	Qty.
1	CN5006049	(00000000-) 45 Battery Gauge	1
2	CN5006233	(00000000-) Button Light(Mu022p 220v5a Green24v)T260	1
3	CN5006222	(00000000-) Steering Wheel Upper Cover [T260]	1
4	CN4001130	(00000000-) St3.5x12 Pan Head Cross Self- Tapping Scr	9
5	CN5001546	(00000000-) M50b With Emergency Stop Key Switch	1
6	CN5005689	(00000000-) Steering Wheel Fixing Plate (New Style)	1
7	CN5006223	(00000000-) Steering Wheel Pedestal[Iron Grey][T260]	1
8	CN5006111	(00000000-) 13 Mm Decorative Cover	2

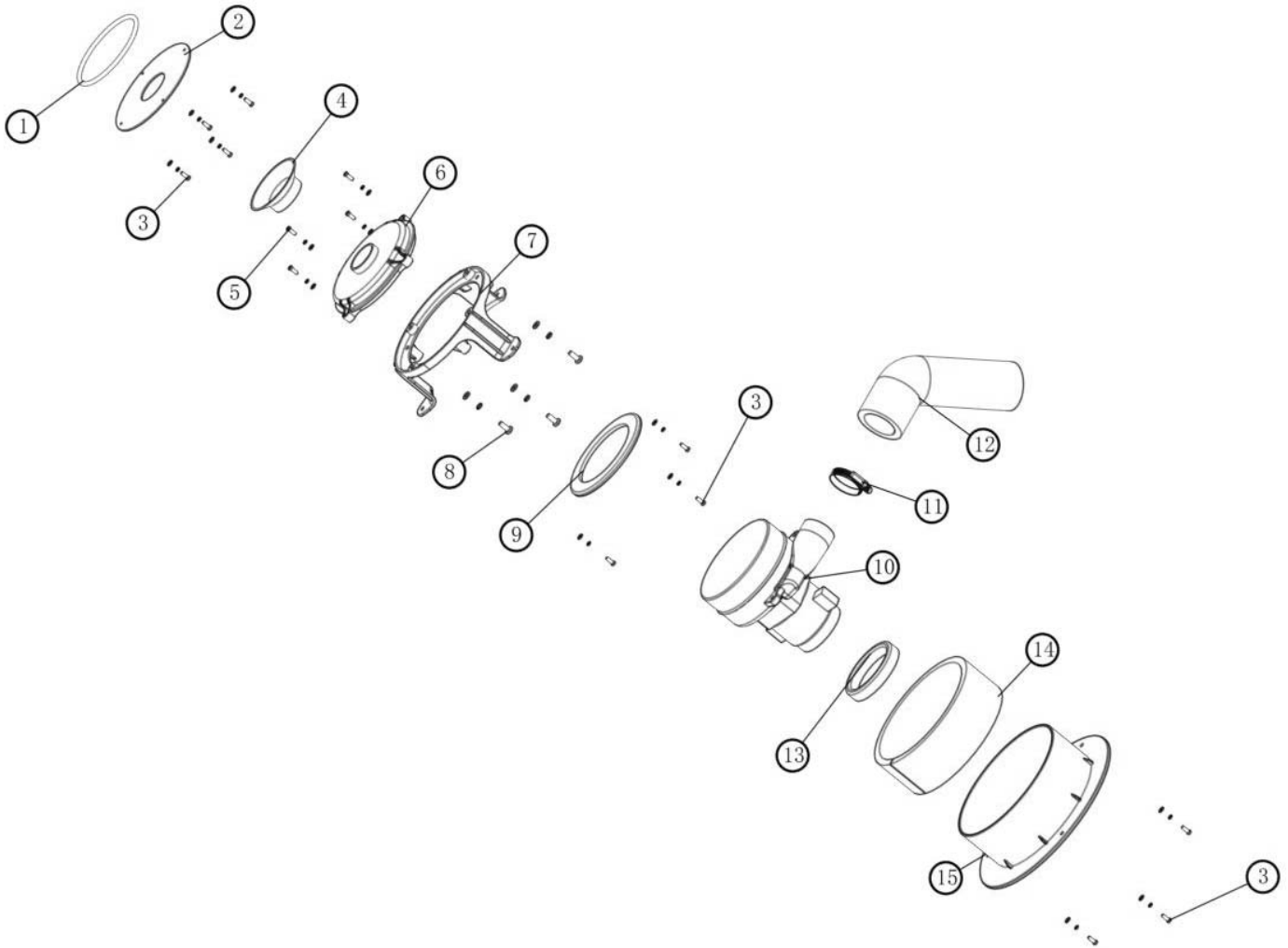
WHEEL ASSEMBLY



WHEEL ASSEMBLY

Ref.	Part No.	Serial Number	Description	Qty.
1	CN5006221	(00000000-) Cap, Hub, Alum Alloy [Iron Grey] [T260]	2
2	CN4000093	(00000000-) M8 x 20 Hex	2
3	CN4000406	(00000000-) M8 Play Mat	2
4	CN4000374	(00000000-) M8 Increase The Gasket, 8.4x20x1.5	2
5	CN5002310	(00000000-) 50b Die- Cast Aluminum Alloy Rear Wheel	2
6	CN4000522	(00000000-) Waterproof Bearing	4
7	CN4000499	(00000000-) 42 Mm Hole Cards	2
8	CN4000673	(00000000-) Oil Seal 42x 22x11	2
9	CN5006078	(00000000-) 45b Wheel	1

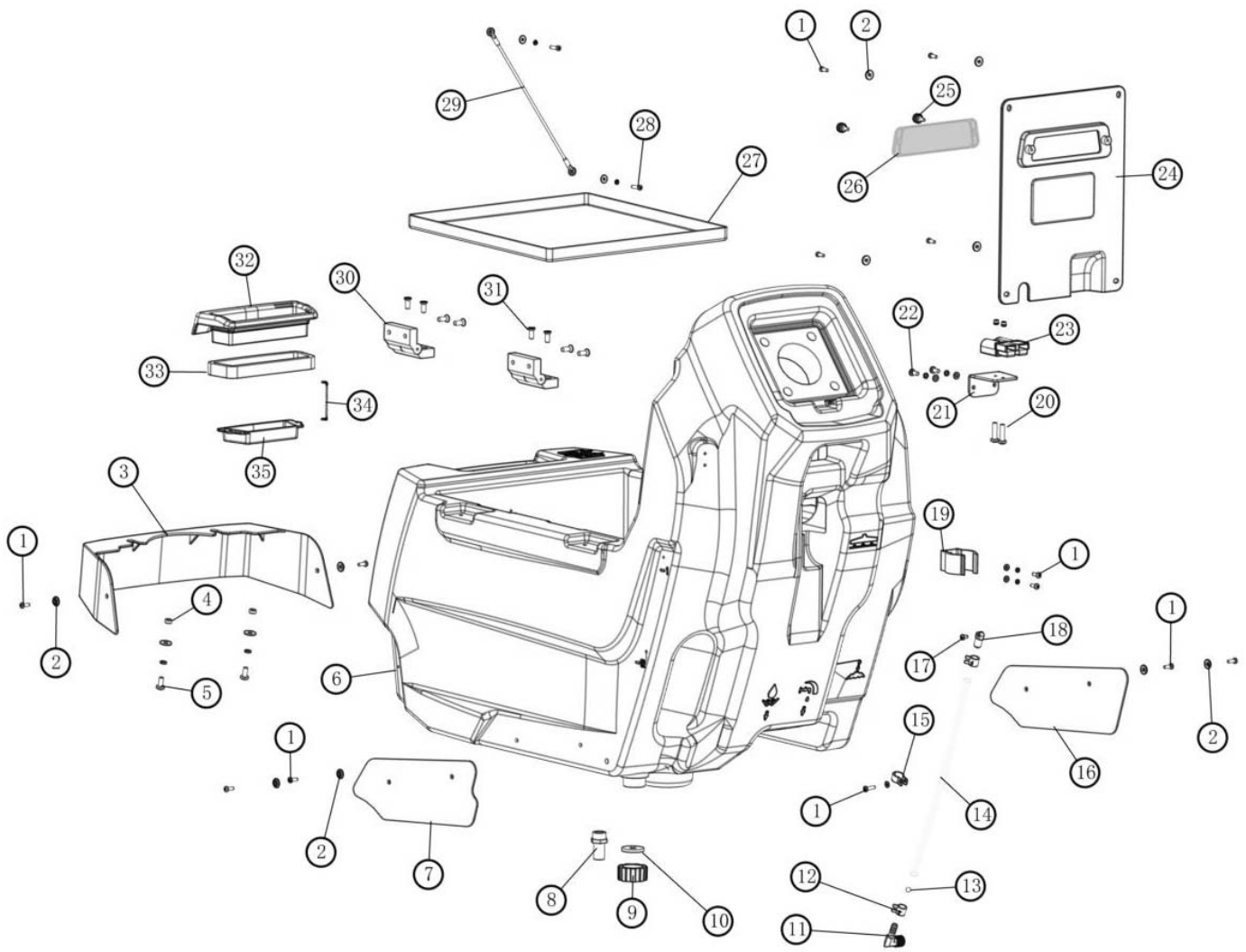
MOTOR ASSEMBLY



MOTOR ASSEMBLY

Ref.	Part No.	Serial Number	Description	Qty.
1	CN4000660	(00000000-) 115x5.3, Gm- X50b, Inside Diameter	1
2	CN5000511	(00000000-) Motor Suction Plate - Mute, Gm- X50b	1
3	CN4000038	(00000000-) M4x12 Large Pan Head Cross	10
4	CN5002337	(00000000-) Motor Horn Suction - Mute, Gm- X50b	1
5	CN4000112	(00000000-) M4x25 Large Pan Head Cross	4
6	CN5002144	(00000000-) Motor Cover - Mute, Gm- X50b	1
7	CN5006115	(00000000-) 45b Vacuum Motor Bracket	1
8	CN4001030	(00000000-) M6x20 Pan Head Cross	3
9	CN5002338	(00000000-) Motor Cover Pad - Mute, Gm- X50b	1
10	CN5002458	(00000000-) Gm50b Two- Layer Vacuum Motor	1
11	CN4000009	(00000000-) 33- 57 Adjustable Ear Clamp	1
12	CN5003632	(00000000-) Gm230 Motor Muffler Tube	1
13	CN5005973	(00000000-) S56b Motor Damping Ring	1
14	CN5006070	(00000000-) 45 B Sound Attenuation Of Cotton	1
15	CN5006114	(00000000-) 45b Motor Outer Cover Plate	1

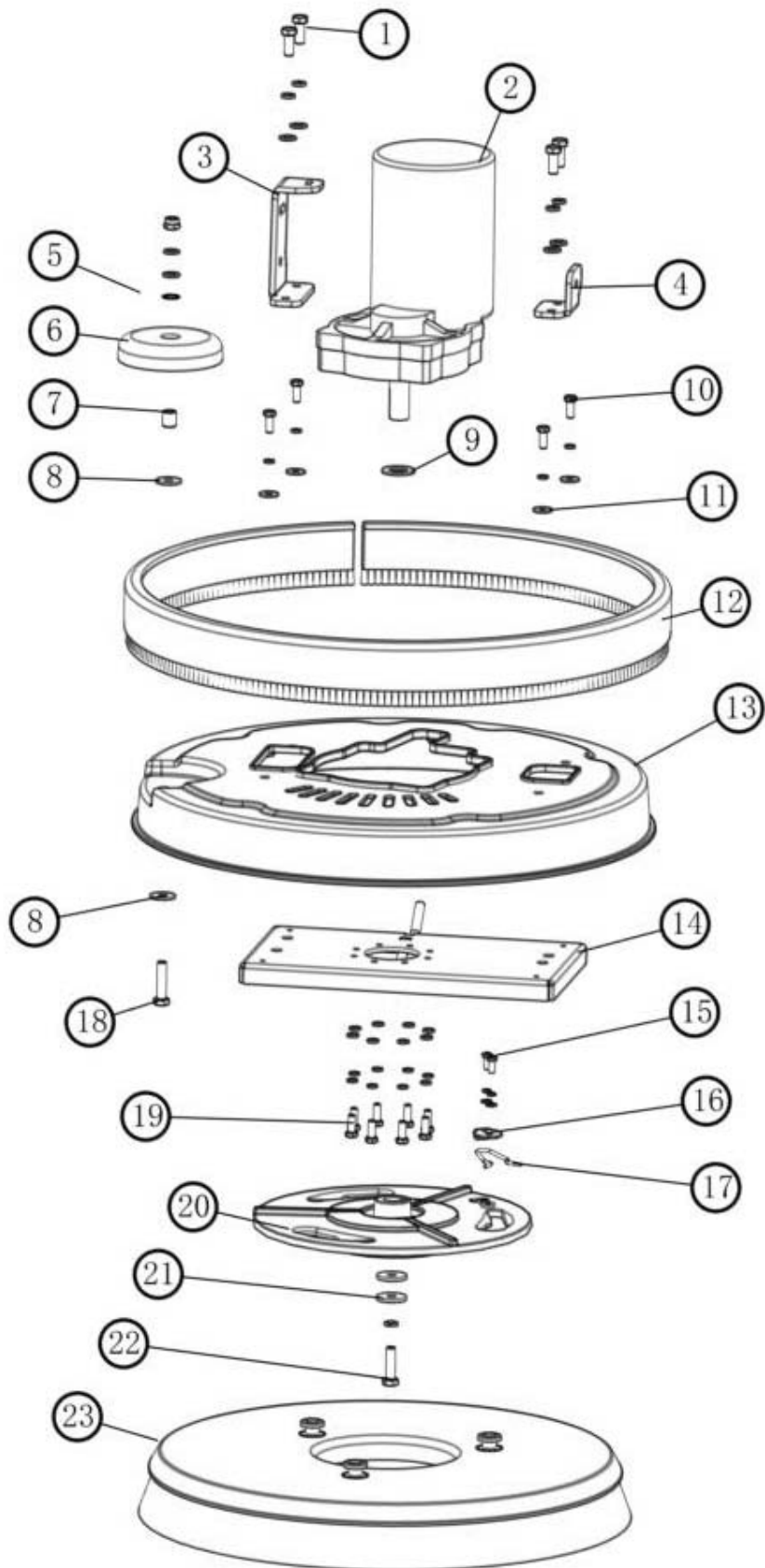
SOLUTION TANK GROUP



SOLUTION TANK GROUP

Ref.	Part No.	Serial Number	Description	Qty.
1	CN4000038	(00000000-) M4x12 Large Pan Head Cross	16
2	CN5005283	(00000000-) S1900 Panel Plastic Pad (Black Nylon	11
3	CN5006225	(00000000-) Cover,Front [Iron Grey] [T260]	1
4	CN5006097	(00000000-) 9x6x4 Bushing	2
5	CN4000231	(00000000-) M6x14 Small Disc Head Cross	2
6	CN5006213	(00000000-) Tank, Soltn [T260]	1
7	CN5006227	(00000000-) Plate, Cover, Tank, Soltn, Left [T260]	1
8	CN5001393	(00000000-) G1/2 Wire jÁ Ganizational 16 Direct	1
9	CN5001935	(00000000-) Gm50b Clear Water Tank Plug	1
10	CN5002217	(00000000-) Gm50b Clean Water Tank Plug Gasket	1
11	CN5001384	(00000000-) G1/8 External Silk x8 Angle Elbow	1
12	CN4001008	(00000000-) 11 Clamp	2
13	CN5002145	(00000000-) Water Level Tube Float, 6mm Red	1
14	CN5002856	(00000000-) Gm110 Transparent Tube, 8 (340mm)	1
15	CN4000020	(00000000-) Ganizational 12mmr Type Wire Clamp	1
16	CN5006228	(00000000-) Plate, Cover, Tank, Soltn, Right [T260]	1
17	CN4000194	(00000000-) M4x14 Large Pan Head Cross	1
18	CN5002029	(00000000-) Ganizational 8 Pipe Fixed Joint	1
19	CN5001942	(00000000-) Gm50b Sewage Pipe Support	1
20	CN4000112	(00000000-) M4x25 Large Pan Head Cross	2
21	CN5006100	(00000000-) 45b Charging Connector Mounting Plate	1
22	CN4000199	(00000000-) M5x12 Large Pan Head Cross	2
23	CN5006059	(00000000-) R45 Wiring Harness 3	1
24	CN5006113	(00000000-) 45b Electric Cover Plate	1
25	CN4001106	(00000000-) Hand Screw Plastic Screw, M4x10	2
26	CN5005734	(00000000-) Insurance Perspective Cover (New Style)	1
27	CN5001940	(00000000-) Gm50b Battery Base, Material: Abs Black	1
28	CN4000036	(00000000-) M4x16 Large Pan Head Cross	2
29	CN4001158	(00000000-) Drawing, Tank, Recvy [T260]	1
30	CN4001141	(00000000-) 45b Main Tank Hinge	2
31	CN4000167	(00000000-) M6x20 Flat Cross	8
32	CN5006220	(00000000-) Cap, Water Injection [T260]	1
33	CN5006246	(00000000-) T260 Cover Sealing Strip (420mm)	1
34	CN4000781	(00000000-) Anti - Loss Chain	2
	CN4000048	(00000000-) T4x10 Cross Attack	1
35	CN5006234	(00000000-) Filter, Tank Solto [T260]	1

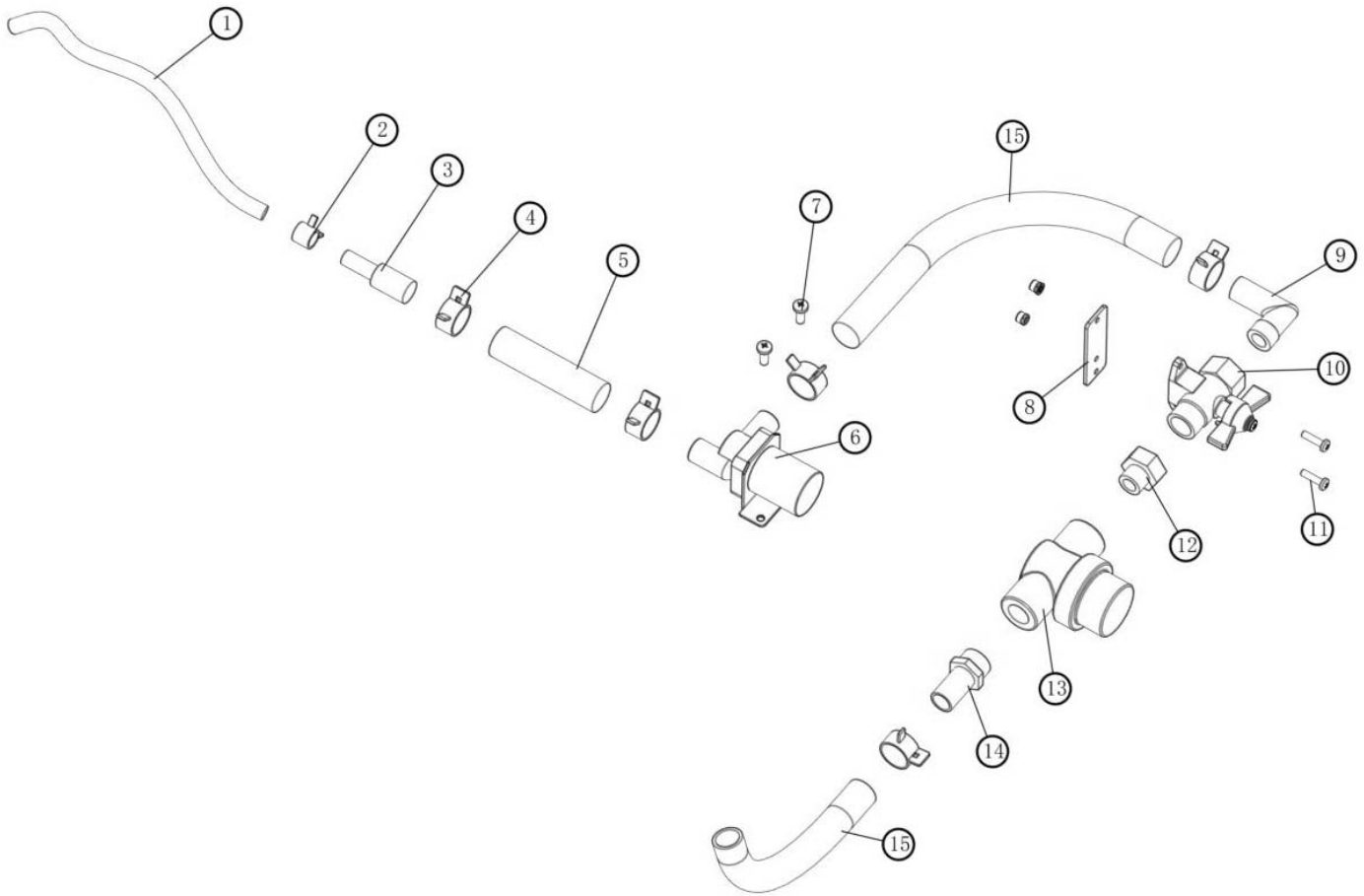
SCRUB HEAD GROUP



SCRUB HEAD GROUP

Ref.	Part No.	Serial Number	Description	Qty.
1	CN4000093	(00000000-) M8 x 20 Hex	4
2	CN5005651	(00000000-) Main Brush Motor (New Type)	1
3	CN5006239	(00000000-) Plate,Bracket,Brush Set 2[T260]	1
4	CN5006090	(00000000-) Brush Tray Bracket 1	1
5	CN4000418	(00000000-) Ganizational 14 Corrugated Cushion	1
6	CN5001941	(00000000-) Bm50b Guide Wheel, Material: Pa66 Black	1
7	CN5000974	(00000000-) Suction Wheel Bushing, D	1
8	CN4000374	(00000000-) M8 Increase The Gasket, 8.4x20x1.5	2
9	CN5005987	(00000000-) S56b Brush Button Gasket	1
10	CN4000065	(00000000-) M6 x 16 Hex	4
11	CN4000371	(00000000-) M6 Increase The Gasket	4
12	CN5006241	(00000000-) Brush Cover Skirt [T260]	1
13	CN5006226	(00000000-) Cover, Brush [Iron Grey] [T260]	1
14	CN5006080	(00000000-) 45b Brush Disc Mounting Plate	1
15	CN4000199	(00000000-) M5x12 Large Pan Head Cross	2
16	CN5005707	(00000000-) S56b Snap Button Elastic Snap Plate	1
17	CN5005725	(00000000-) S56b Brush Buckle Elastic Snap	1
18	CN4000090	(00000000-) M8 x 30 Hex	1
19	CN4000064	(00000000-) M6 x 20 Hex	8
20	CN5005656	(00000000-) S56b Brush Buckle (New Style)	1
21	CN4000375	(00000000-) M8 Extra- Large Gasket, 8.4x24x2mm	2
22	CN4000087	(00000000-) M8 x 25 Hex	1
23	CN5006244	(00000000-) Brush T260	1
	CN5006245	(00000000-) Needle T260	1

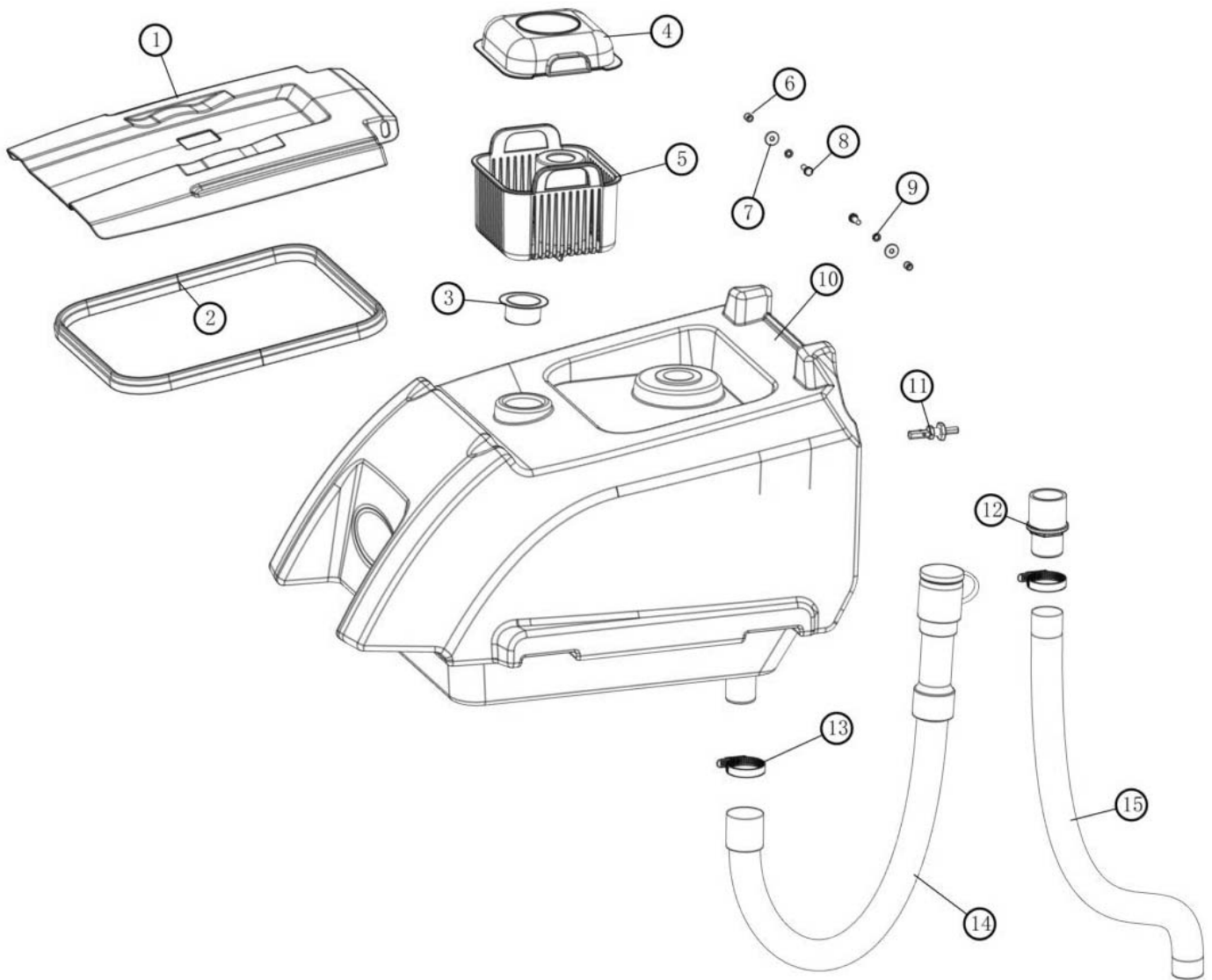
HOSE GROUP



HOSE GROUP

Ref.	Part No.	Serial Number	Description	Qty.
1	CN5002865	(00000000-) 12 Transparent Silicone Tube	1
2	CN5004738	(00000000-) 13 Clamp	1
3	CN5004737	(00000000-) 14.2 To 7.9 Plastic Pagoda Connector	1
4	CN5004739	(00000000-) 20 Clamp	5
5	CN5004321	(00000000-) 21 Braided Silicone Tube (80mm)	1
6	CN5003085	(00000000-) Gm110bt Solenoid Valve Harness Assembly	1
7	CN4000053	(00000000-) M5x16 Large Pan Head Cross	2
8	CN5006088	(00000000-) 45 Water Valve Retaining Plate	1
9	CN5001436	(00000000-) G1/2 External Wire X16 Copper Elbow	1
10	CN5004736	(00000000-) With Seat Ball Valve	1
11	CN4000036	(00000000-) M4x16 Large Pan Head Cross	2
12	CN5004733	(00000000-) Three To Four Tap	1
13	CN5004741	(00000000-) Gm50b Filter (80 Mesh)	1
14	CN5005002	(00000000-) G3/8 External Wire X16 Copper Direct	1
15	CN5004320	(00000000-) 13x19 Braided Silicone Tube (200mm)	1
16	CN5004320	(00000000-) 13x19 Braided Silicone Tube (280mm)	1

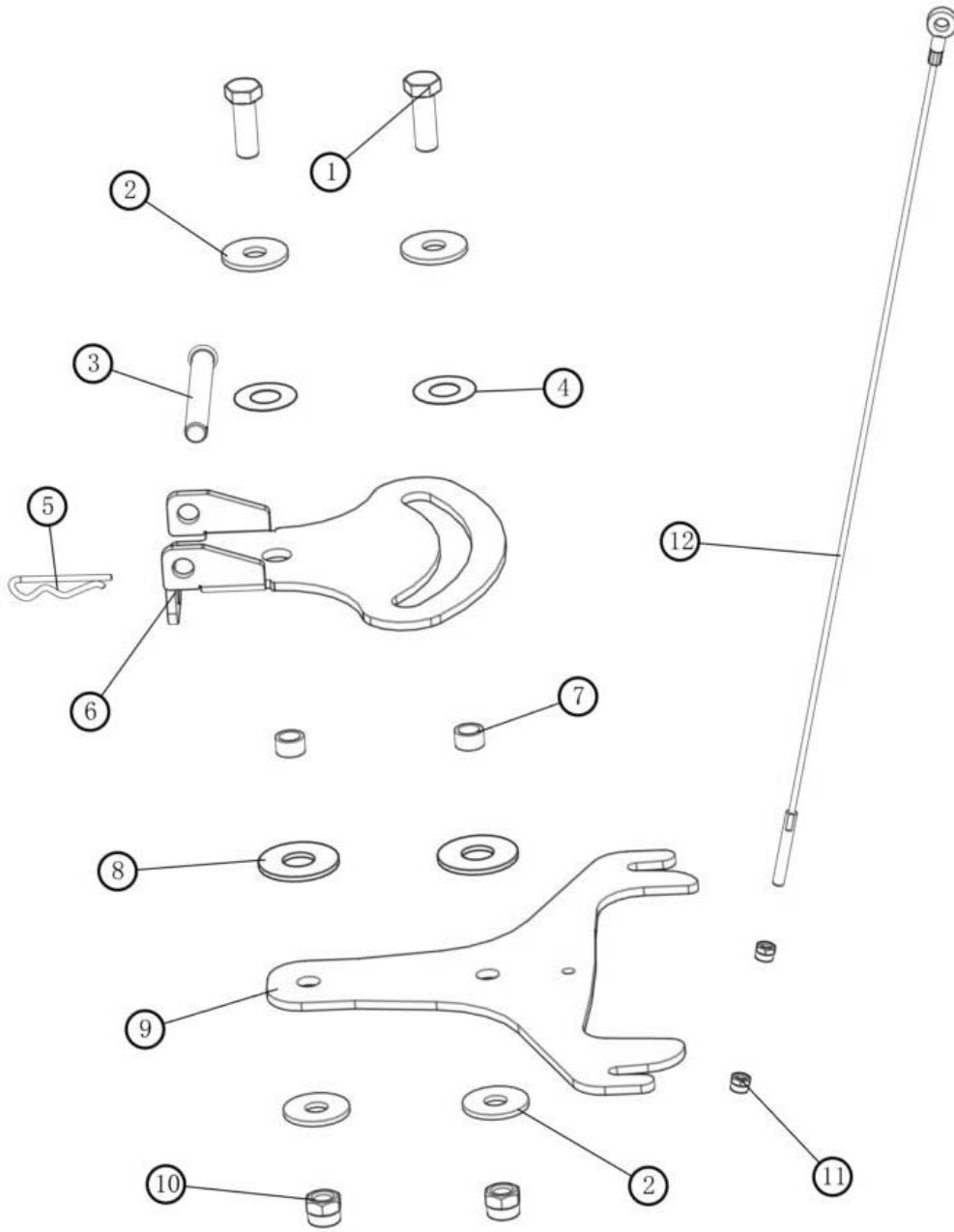
RECOVERY TANK GROUP



RECOVERY TANK GROUP

Ref.	Part No.	Serial Number	Description	Qty.
1	CN5006224	(00000000-) Cover, Tank, Recvy [Iron Grey] [T260]	1
2	CN5003686	(00000000-) Running Back Cover Seal Strip Black Epdm	1
3	CN5006130	(00000000-) Net, Motor Protective, 45b	1
4	CN5005723	(00000000-) Sewage Filter Box Cover (New Style)	1
5	CN5005711	(00000000-) Sewage Filter Basket (New Style)	1
6	CN5006096	(00000000-) Sewage Cap Fixing Bushing	2
7	CN4000371	(00000000-) M6 Increase The Gasket	2
8	CN4000065	(00000000-) M6 x 16 Hex	2
9	CN4000405	(00000000-) M6 Play Mat	2
10	CN5006214	(00000000-) Tank, Recvy [T260]	1
11	CN5003089	(00000000-) Gm70bt Sewage Sensor Harness Assembly	1
12	CN5002179	(00000000-) Pvc Pipe Connector, Gm110	1
13	CN4000009	(00000000-) 33- 57 Adjustable Ear Clamp	2
14	CN5002833	(00000000-) Gmmini/Gm50b/Gm70bt Sewage Pipe (Black)	1
15	CN5002836	(00000000-) Gm110 / Gmmini Suction Tube	1

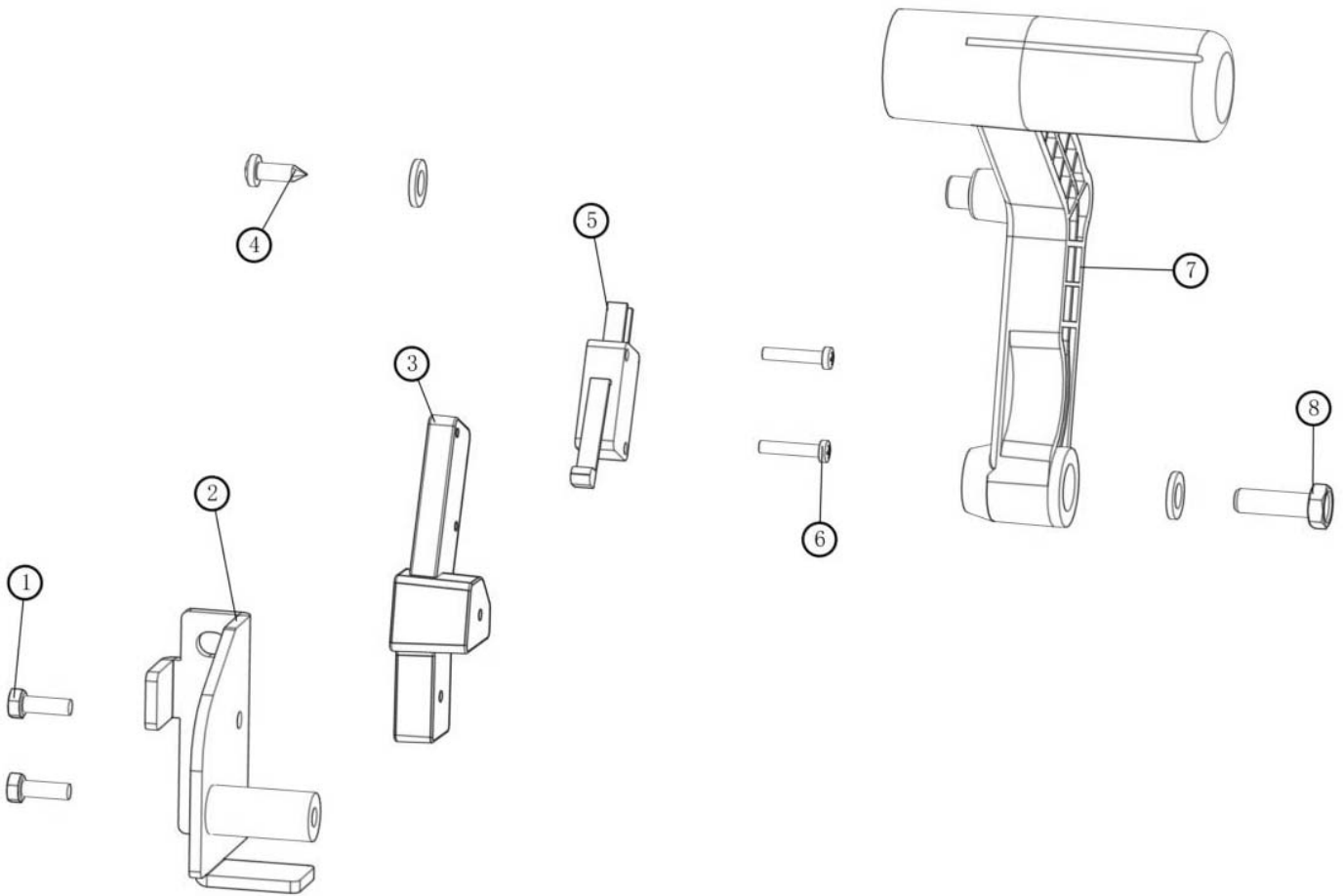
SQUEEGEE ADJUSTMENT GROUP



SQUEEGEE ADJUSTMENT GROUP

Ref.	Part No.	Serial Number	Description	Qty.
1	CN4000316	(00000000-) M12 x 35 Hex	2
2	CN4000378	(00000000-) M12 Increase The Pad W36 Special	4
3	CN4001142	(00000000-) Pin Roll12x95	1
4	CN4001004	(00000000-) 17x35x.5 Tetrafluorin Gasket	2
5	CN4000904	(00000000-) R Pin 2 x 40	1
6	CN5006094	(00000000-) 45b Suction And Scrape Fixed Plate	1
7	CN5006098	(00000000-) 45b Suction And Pick Sleeve	2
8	CN5004742	(00000000-) 18x45x3 Teflon Gasket	2
9	CN5006237	(00000000-) Plate,Angle Bracket,Squeegee [T260]	1
10	CN4000335	(00000000-) M12 Self- Locking Nut	2
11	CN4000328	(00000000-) M6 Self- Locking Nut	2
12	CN4001159	(00000000-) Wiredrawing Squeegee [T260]	1

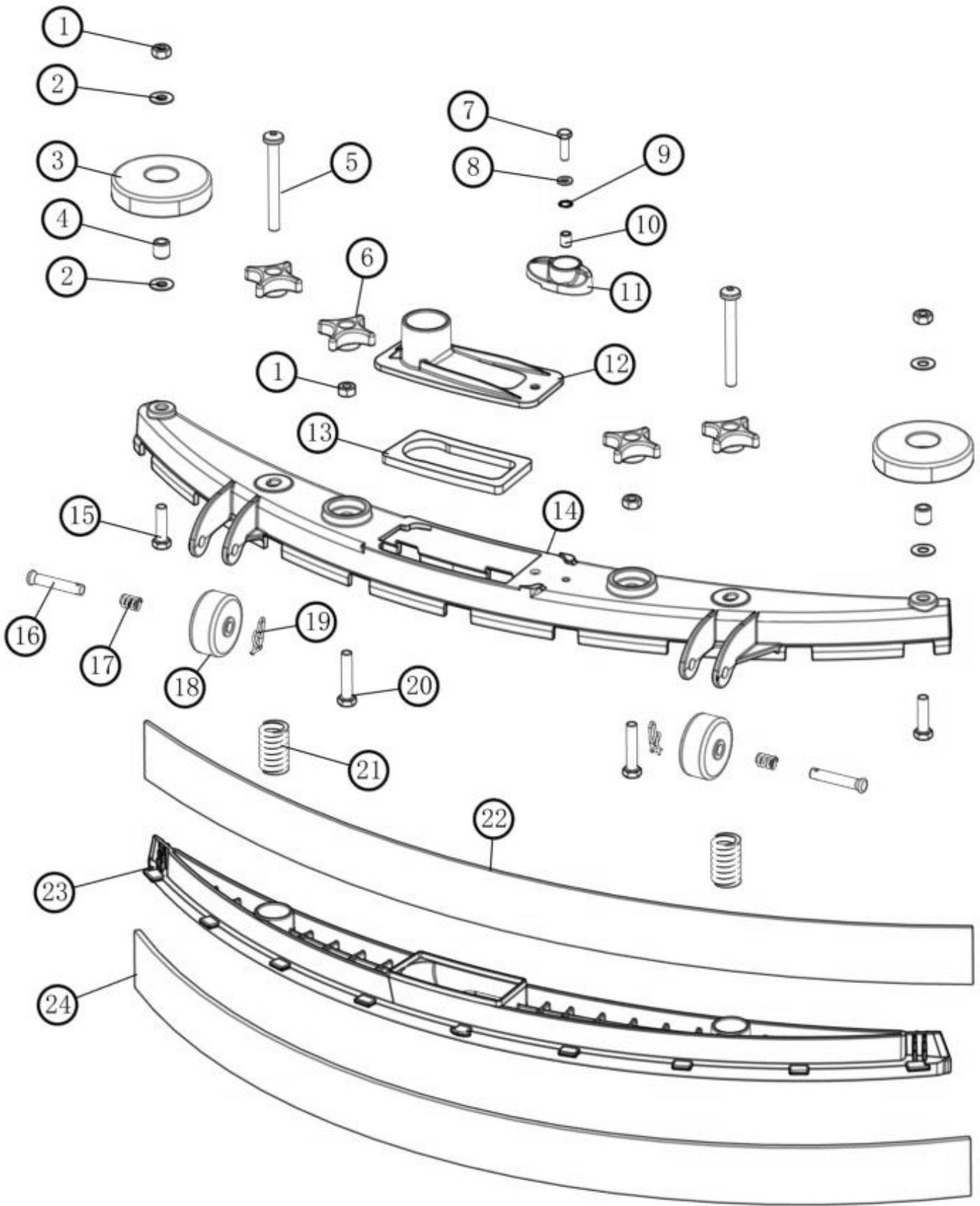
SQUEEGEE LIFT GROUP



SQUEEGEE LIFT GROUP

Ref.	Part No.	Serial Number	Description	Qty.
1	CN4000038	(00000000-) M4x12 Large Pan Head Cross	2
2	CN5000028	(00000000-) Gm50b Suction Lifting Bracket, Gm50b	1
3	CN5006106	(00000000-) 45b Micro Switch Mounting Plate	1
4	CN4000048	(00000000-) T4x10 Cross Attack	1
5	CN5001521	(00000000-) Gm50b Single- Pole Micro Switch	1
6	CN4000031	(00000000-) M3x16 Pan Head Cross	2
7	CN5001932	(00000000-) Gm50b Suction Lifting Handle	1
8	CN4000068	(00000000-) M6 x 12 Hex	1

SQUEEGEE ASSEMBLY



SQUEEGEE ASSEMBLY

Ref.	Part No.	Serial Number	Description	Qty.
1	07786	(00000000-) Nut, Hex, Std, M8 X 1.25, Ss	2
2	140027	(00000000-) Washer, Flat, 0.35b 0.75d .04, Ss	4
3	1010560	(00000000-) Wheel, Bmpr, 80d X 25w, Non- Marking	2
4	222460	(00000000-) Sleeve, P/M, 0.32b 0.50d 0.5l [430ss]	1
5	1255358	(00000000-) Screw, Btn, M8 X 1.25 X 85, Ss	2
6	1213677	(00000000-) Knob, Star, 2.00od 4ear M8x1.25 [Yel]	2
7	12277	(00000000-) Screw, Hex, M6 X 1.00 X 20, NI, Ss	4
8	01684	(00000000-) Washer, Flat, 0.27b 0.69d .05, Ss	1
9	140060	(00000000-) Washer, .505 X .750 X 0.45 Wave	1
10	140154	(00000000-) Sleeve, P/M, 0.25b 0.38d 0.3l, PI	2
11	1222109	(00000000-) Knob, Sqge, 58l, M6 X 1.00, Plstc	2
12	1209631	(00000000-) Cover, Trap, Water, Sqge	2
13	CN5006243	(00000000-) Silencer Cotton [T260]	2
14	1230946	(00000000-) Frame, Sqge, 50cm, Mach [T300]	2
15	1016399	(00000000-) Screw, Hex, M8 X 1.25 X 30, NI, Ss	1
16	17461	(00000000-) Pin, Clevis, 0.37d X 1.75l	1
17	1017091	(00000000-) Spring, Cmpr, 0.50od .04wir 00.8l	1
18	630477	(00000000-) Wheel, Pyu, 02.0d 0.38w, Gray	1
19	1216647	(00000000-) Pin, Cotter, Hair, 0.38d .054 Wir	4
20	09023	(00000000-) Screw, Hex, M8 X 1.25 X 35, FI, Ss	1
21	22290	(00000000-) Spring, Cmpr, 0.72od .06wir 02.3l	2
22	1203954	(00000000-) Blade, Sqge, Front, 788l, Linatex[500mm]	1
23	1203638	(00000000-) Retainer, Sqge [T300]	1
24	1203953	(00000000-) Blade, Sqge, Rear, 836l, Linatex[500mm]	1