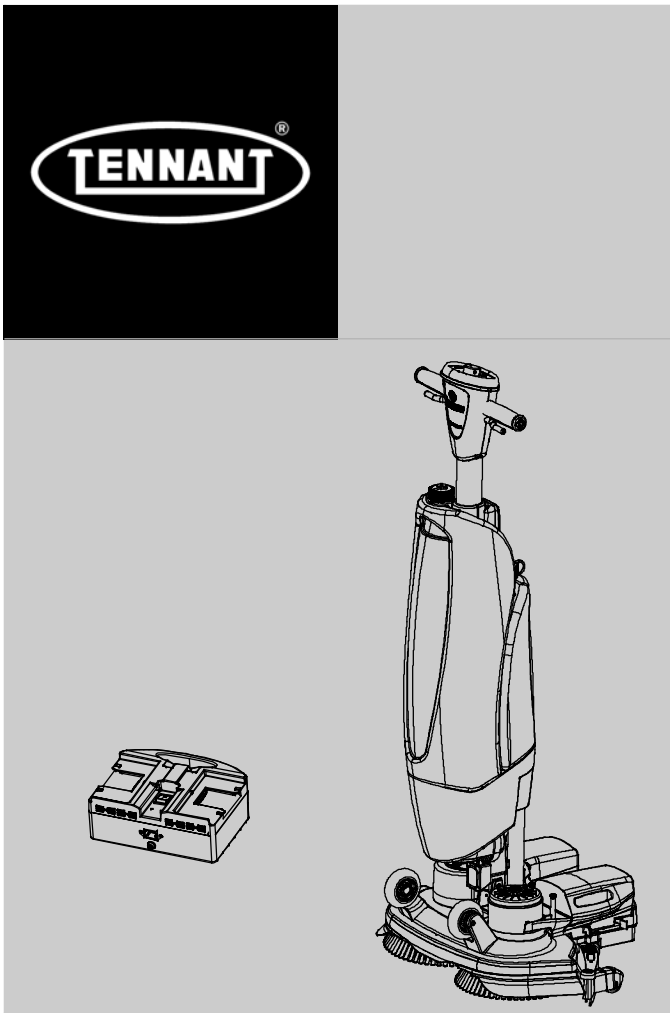
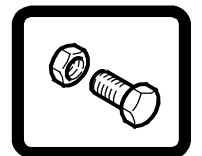




# i-mop<sup>®</sup> XL plus

SCRUBBER

## Parts Manual



Model Part No.:

- 1264254 - i-mop XL plus w/ charger & battery [N. America]
- 9022386 - i-mop XL plus w/ charger & extra battery [N. America]
- 1264543 - i-charge 2 battery charger [N. America]
- 1267980 - i-mop XL plus w/ charger & battery [Europe]
- 1267990 - i-charge 2 battery charger [Europe]

## Global

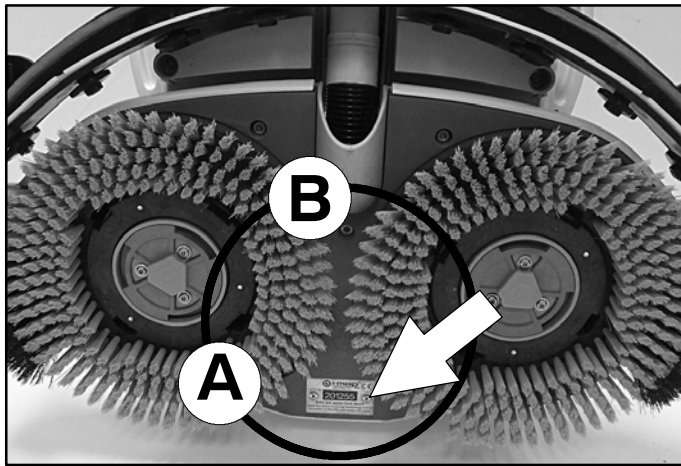


For the latest Parts manuals and other language Operator manuals, visit:

[www.tennantco.com/manuals](http://www.tennantco.com/manuals)

9022731  
Rev. 01 (03-2024)





**i-mop<sup>®</sup> XL**

Serial No. **340001** model# **1264254**

24V DC 600/700 Watt  
 Made by Future Cleaning Technology B.V. NL  
**Sold by Tennant Company**  
**Made in China. 2023**

**TENNANT**  
**contact**  
 www.tennantco.com  
 1-800-553-8033

Note: A second serial number label is also located on the handle stem.

Ref	Part No.	Serial Number	Description	Qty.
1	82681	(000000- )	Bracket Wldt, Lpg Mount	1
▽ 2	63810	(000000- )	Latch Assy, Lpg Tank Mtg, W/Nut	4
▲ 3	51839	(000000- )	Nut Adjustable, Lpg Tank Mtg	2
4	49263	(000000- )	Tie, Cable	3
(D)	82556	(000000- 001039)	Bracket, Vaporizer	1
	54930	(000000- )	Vaporizer, LPG	1

**HOW TO ORDER PARTS - See diagram above**

Only use TENNANT Company supplied or equivalent parts. Parts and supplies may be ordered online, by phone, by fax or by mail.

Follow the steps below to ensure prompt delivery.

1. (A) Identify the machine model.
2. (B) Identify the machine serial number from the data label.
3. (C) Ensure the proper serial number is used from the parts list.
4. Identify the part number and quantity. Do not order by page or reference numbers.
5. Provide your name, company name, customer ID number, billing and shipping address, phone number and purchase order number.
6. Provide detail shipping instructions.

- (D) ▽ - identifies an assembly  
 ▲ - identifies parts included in assembly

**Please fill out at time of installation for future reference.**

Model No. - \_\_\_\_\_

Serial No. - \_\_\_\_\_

Machine Options - \_\_\_\_\_

Sales Rep. - \_\_\_\_\_

Sales Rep. phone no. - \_\_\_\_\_

Customer ID Number - \_\_\_\_\_

Installation Date - \_\_\_\_\_

**Tennant Company**  
 10400 Clean Street  
 Eden Prairie, MN 55344-2650 USA  
 Phone: (800) 553- 8033  
 www.tennantco.com

**Tennant Company N.V.**  
 Industrielaan 6 5405 AB  
 P.O. Box 6 5400 AA  
 Uden- The Netherlands  
 europe@tennantco.com  
 www.tennantco.com

Specifications and parts are subject to change without notice.

Copyright © 2024 TENNANT Company, Printed in U.S.A.

**STANDARD PARTS**

---

RECOMMENDED SPARE PARTS LIST ..... 4  
HANDLE ASSEMBLY ..... 6  
HANDLE ASSEMBLY - CONT'D ..... 8  
CONTROL CONSOLE ASSEMBLY ..... 10  
CLEAN WATER TANK ASSEMBLY ..... 12  
DIRTY WATER TANK ASSEMBLY ..... 14  
SCRUB HEAD ASSEMBLY ..... 16  
BRUSH MOTOR ASSEMBLY ..... 18  
BRUSH DRIVER ASSEMBLY ..... 20  
PAD DRIVER ASSEMBLY ..... 22  
SQUEEGEE ASSEMBLY ..... 24  
MAIN LEVER ASSEMBLY ..... 26  
BATTERY PACK ASSEMBLY ..... 28  
BATTERY CHARGER ASSEMBLY ..... 30  
I- BALANCE ASSEMBLY ..... 32  
WALL CHARGERS (OPTION) ..... 33  
I- CART TROLLEY ASSEMBLY (OPTION) ..... 34  
ELECTRICAL DIAGRAM ..... 36

# RECOMMENDED SPARE PARTS LIST

## GENERAL RECOMMENDED MAINTENANCE ITEMS

Part No.	Serial Number	Description	Qty.
1232578	( )	Brush, Med, Blu, 9.0 [XI Qty 2] (Standard - Medium Duty Daily Scrubbing)	1
1232608	( )	Brush, Soft, Lt Blu, 9.0 [XI Qty 2] (Option - Soft Light Duty Cleaning)	1
1232607	( )	Brush, Hard, Red, 9.0 [XI Qty 2] (Option - Heavy Duty Deep Cleaning & Grout)	1
1233556	( )	Brush, Med, Blu, 9.0 [XI W/grn Lock Qty 2] (Option - Medium Duty Daily Scrubbing)	1
1233557	( )	Brush, Med, Blu, 9.0 [XI W/red Lock Qty 2] (Option - Medium Duty Daily Scrubbing)	1
1233559	( )	Brush, Med, Blu, 9.0 [XI W/ylw Lock Qty 2] (Option - Medium Duty Daily Scrubbing)	1
1232613	( )	Pad, Driver, 9.2 [XI Qty2]	1
1234346	( )	Pad, Red, 8.5 [XI Qty 10 Pads] (Cleaning)	1
1234347	( )	Pad, Wht, 8.5 [XI Qty 10 Pads] (Buffing)	1
1234348	( )	Pad, Green, 8.5 [XI Qty 10 Pads] (Scrubbing)	1
1234350	( )	Pad, Blu, 8.5 [XI Qty 10 Pads] (Scrubbing)	1
1234344	( )	Pad, Blk, 8.5 [XI Qty 10 Pads] (Light Stripping)	1
1232649	( )	Pad, Grn, 8.5 [XI Twister Qty 2] (Diamond Polishing Pad - Daily Cleaning)	1
1232645	( )	Pad, Ylw, 8.5 [XI Twister Qty 2] (Diamond Polishing Pad - Periodic Cleaning)	1
1232650	( )	Pad, Wht, 8.5 [XI Twister Qty 2] (Diamond Polishing Pad - Deep Cleaning)	1
1232651	( )	Pad, Red, 8.5 [XI Twister Qty 2] (Diamond Polishing Pad - Deep Cleaning Aggressive)	1
1232647	( )	Pad, Orng, 8.5 [XI Twister Qty 2] (Diamond Polishing Pad - Ceramic Tiles)	1
1232648	( )	Pad, Blu, 8.5 [XI Twister Qty 2] (Diamond Polishing Pad - High Traffic Areas)	1
1232627	( )	Blade, Sqge, Front, 22.4 [XI] (Standard - Red Linatex)	1
1232629	( )	Blade, Sqge, Rear, 24.0 [XI Lina] (Std - Red Linatex)	1
1232635	( )	Blade, Sqge, Rear, 24.0 [XI Ure] (Option)	1

# RECOMMENDED SPARE PARTS LIST

## GENERAL RECOMMENDED MAINTENANCE ITEMS

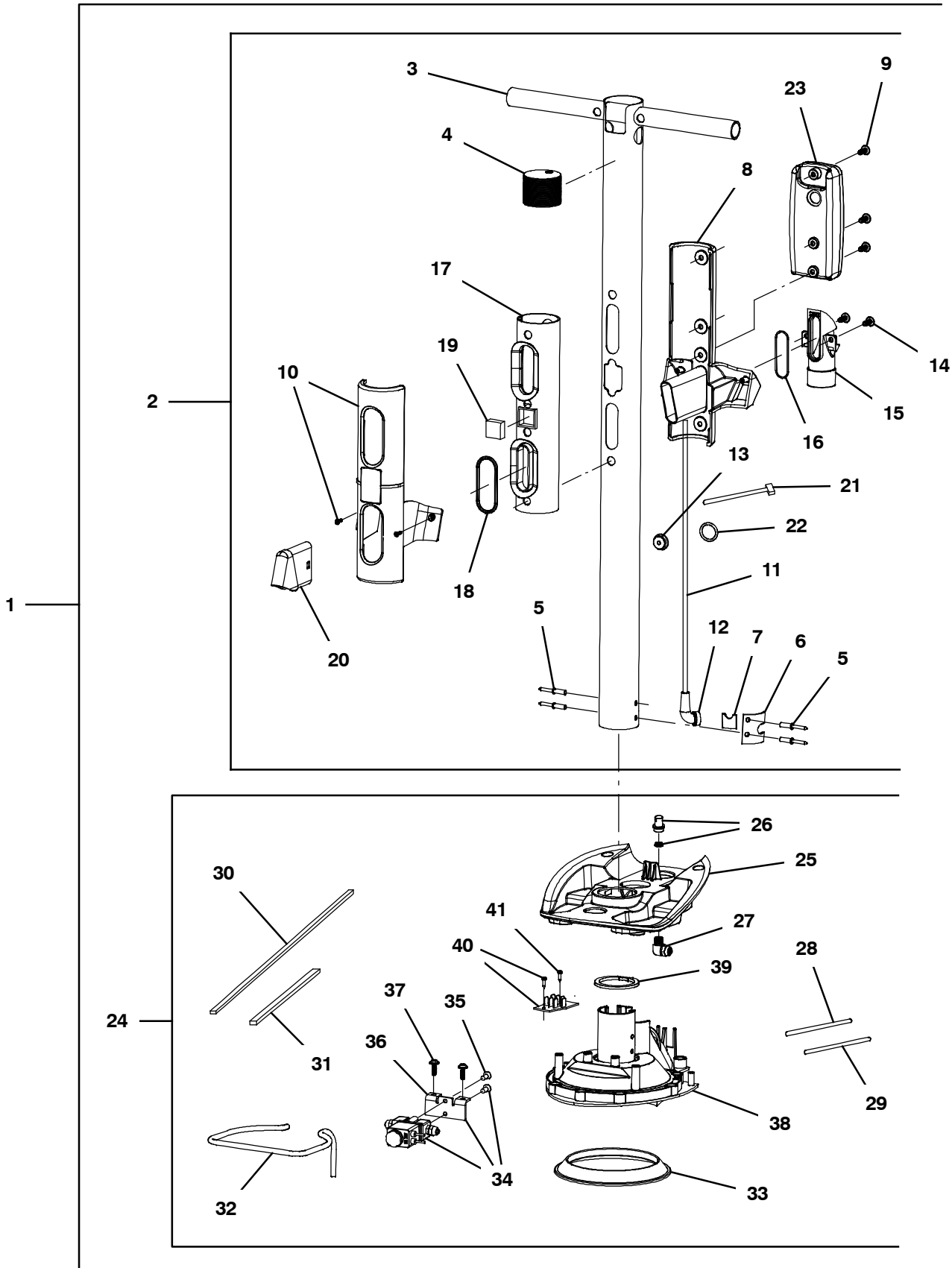
Ref.	Part No.	Serial Number	Description	Qty.
	1232579	( )	Motor, Brush, Rh	1
	1232582	( )	Motor, Brush, Lh	1
	1266748	( )	Circuitboard Kit, Contrl [Teal I- Mop]	1
	1252648	( )	Valve Asm, Complete, w/ wire connector [XI & Xxl]	1
	1266788	( )	Caster, Glide, Squeegee (Includes Qty 1 Assy)	2
▽	1266786	( )	Bracket, Caster, Static, Gray (Includes Qty 2 Assy)	1
▽	1266791	( )	Bracket, Caster, Swivel, Gray[Teal I- Mop]	1
▲	1267130	( )	Caster Kit, Squeegee [I- Mop]	2
▽	1255493	( )	Fan Kit, Vac [Imop XI & Xxl & Plus]	1
▲	1246375	( )	Gasket Set, Motor, Vacuum [XI & Xxl]	1
	1246373	( )	Wire, Terminal, Motor [XI & Xxl Imop] (Vac Motor Leads)	1
	1232675	( )	Cover, Brush, Motor (Includes Qty 2 Cover Assemblies)	1
	1266713	( )	Hinge Assy, Lever [Teal I- Mop]	1
	1266710	( )	Transport Kit, Caster, Rh [Teal I- Mop]	1
	1266709	( )	Transport Kit, Caster, Lh [Teal I- Mop]	1
	1232676	( )	Clip, Retaining, Tank	1
	1232519	( )	Coupling, Water	1
	1267119	( )	Connector, Hose, Stretch, Gray [I- Mop]	1
	1267121	( )	Hose, Stretch, Complete [I- Mop]	1
	1251765	( )	Float Asm, Ball [xl & xxl plus imop]	1
	1267124	( )	Grip Kit, Handle [I- Mop]	2
	1232100	( )	Battery Kit [I- Mop Left & Right]	1
▽	1264543	( )	Chrgr, Batt, 100- 240V 2.5A [Na] (120V) (N. America)	1
▽	1264257	( )	Chrgr, Batt, 100- 240V 9A [Na] (120V) (N. America)	1
▲	1232546	( )	Cord, Power (UI 3 Pin) (Standard) (N. America)	1
	1233924	( )	Cord, Power [UI 3 Pin, 11 Meters Lg] (Optional) (N. America)	1
▽	1267990	( )	Chrgr, Batt, 100- 240V 2.5A[Eu/Uk] (EMEA)	1
▽	1267991	( )	Chrgr, Batt, 100- 240V 9A [Eu/Uk] (EMEA)	1
▲	1267989	( )	Cord, Power, Eu, XI & Xxl (EMEA)	1
▲	1267988	( )	Cord, Power, Uk, XI & Xxl (EMEA)	1

▽ ASSEMBLY

▲ INCLUDED IN ASSEMBLY

HANDLE ASSEMBLY

355924



## HANDLE ASSEMBLY

Ref.	Part No.	Serial Number	Description	Qty.
	1	1266737	( ) Tube Assy, Inlet [Teal I- Mop] (Includes Items #2- 41)	1
▽	2	1266736	( ) Tube Assy, Inlet [Teal Imop] (Includes Items #2- 22)	1
▲▽	3	1267129	( ) Tube Kit, Handle [XI Teal I- Mop]	1
▲▲	4	N/A	( ) End Cap Inlet Tube	1
▲▲	5	N/A	( ) Rivet With Dia. 5mm & Length 10mm	4
▲▲	6	N/A	( ) Sealing Pressure Plate	1
▲▲	7	N/A	( ) Sealing Rubber Sheet Al Tube	1
▲▽		1266762	( ) Holder, Tank, Rear [Teal I- Mop]	1
▲▲	8	N/A	( ) Holder, Tank, Rear [Teal I- Mop]	1
▲▲	9	N/A	( ) Screw Wn 5451 5.0x18 Ejot Delta Pt	10
▲▲	10	1246366	( ) Holder, Tank, Front [XI & Xxl Imop] (Inclcd Screws Qty 2)	1
▲▽		1266703	( ) Cable, Utp, 100cm L [Teal I- Mop Xxl]	1
▲▲	11	N/A	( ) Cable, Utp, 100cm L	1
▲▲	12	N/A	( ) Power Cable Guiding Rubber	1
▲▲	13	N/A	( ) Sealing Ring Sigar Utp Connector	1
▲	14	N/A	( ) Screw Wn 5451 25x10 Ejot Delta Pt	2
▲▽		1266740	( ) Seal, Tank, Recvy [Teal I- Mop]	1
▲▲	15	1267119	( ) Connector, Hose, Stretch, Gray [I- Mop]	1
▲▲	16	N/A	( ) Gasket For Hose Connector	1
▲▲	17	N/A	( ) Seal, Tank, Recvy	1
▲▲	18	N/A	( ) O- ring Wire Dia. 3mm, Od 46mm	1
▲▲	19	N/A	( ) Magnet Top Unit Small 20x20x10mm	1
▲	20	1234953	( ) Deflector, Tank, Recvy [Imop]	1
▲	21	N/A	( ) Cable 3P 20Awg I- link L=400	1
▲	22	N/A	( ) Rubber Ring Seal I- link Wiring Cable	1
	23	1266784	( ) Pcb Assy Kit, [Teal I- Link lot I- Mop]	1
▽	24	1232710	( ) Motor Kit, Top	1
▲▽	25	1246367	( ) Motor Hsg, Unit, Top [XI & Xxl] (With Coupling & Filter)	1
▲▲	26	1261821	( ) Fitting Kit, Coupling, W/Washer [Imop]	1
▲	27	1246369	( ) Connector, Metal, Angle [XI & Xxl Imop]	1
▲▽		1246373	( ) Wire, Terminal, Motor [XI & Xxl Imop] (Vac Motor Leads)	1
▲▲	28	N/A	( ) 187 Terminal + Wire 14awg Red, L=280mm 250 Terminal	1
▲▲	29	N/A	( ) 187 Terminal + Wire 14awg Blk, L=280mm 250 Terminal	1
▲▽		1246370	( ) Gasket Set, Sealing, Motr [XI & Xxl Imop]	1
▲▲	30	N/A	( ) Sealing Gasket Eva 3x1.5x593mm	1
▲▲	31	N/A	( ) Sealing Gasket Eva 4x2.5x150mm	1
▲	32	N/A	( ) Water Channel Dia. 6mm L:225mm	1
▲	33	N/A	( ) Vacuum Motor Sealing Top	1
▽	34	1252648	( ) Valve Asm, Complete, w/ wire connector [XI & Xxl]	1
▲▲	35	1234975	( ) Screw, Flt, Soc, M4 X 10 Ss [10x, Imop]	2
▲▲	36	N/A	( ) Megnetic Ventil Fixation Plate Stainless Steel	1
▲▽		1246374	( ) Connector Kit, Motor, Vacuum (Includes Items #37- 41)	1
▲▲	37	N/A	( ) Screw M3x12 Crosshead Selftapping Bl- ni Sst	2
▲▲	38	N/A	( ) Motor Unit Frame	1
▲▲	39	N/A	( ) Motor Unit Frame Rubber	1
▲	40	1232486	( ) Circuitboard, Valve (Not Inlcuded In Assy P/N 1232710 Item #24)	1
▲	41	N/A	( ) Screw M3x12 Crosshead Selftapping Bl- ni Sst	2

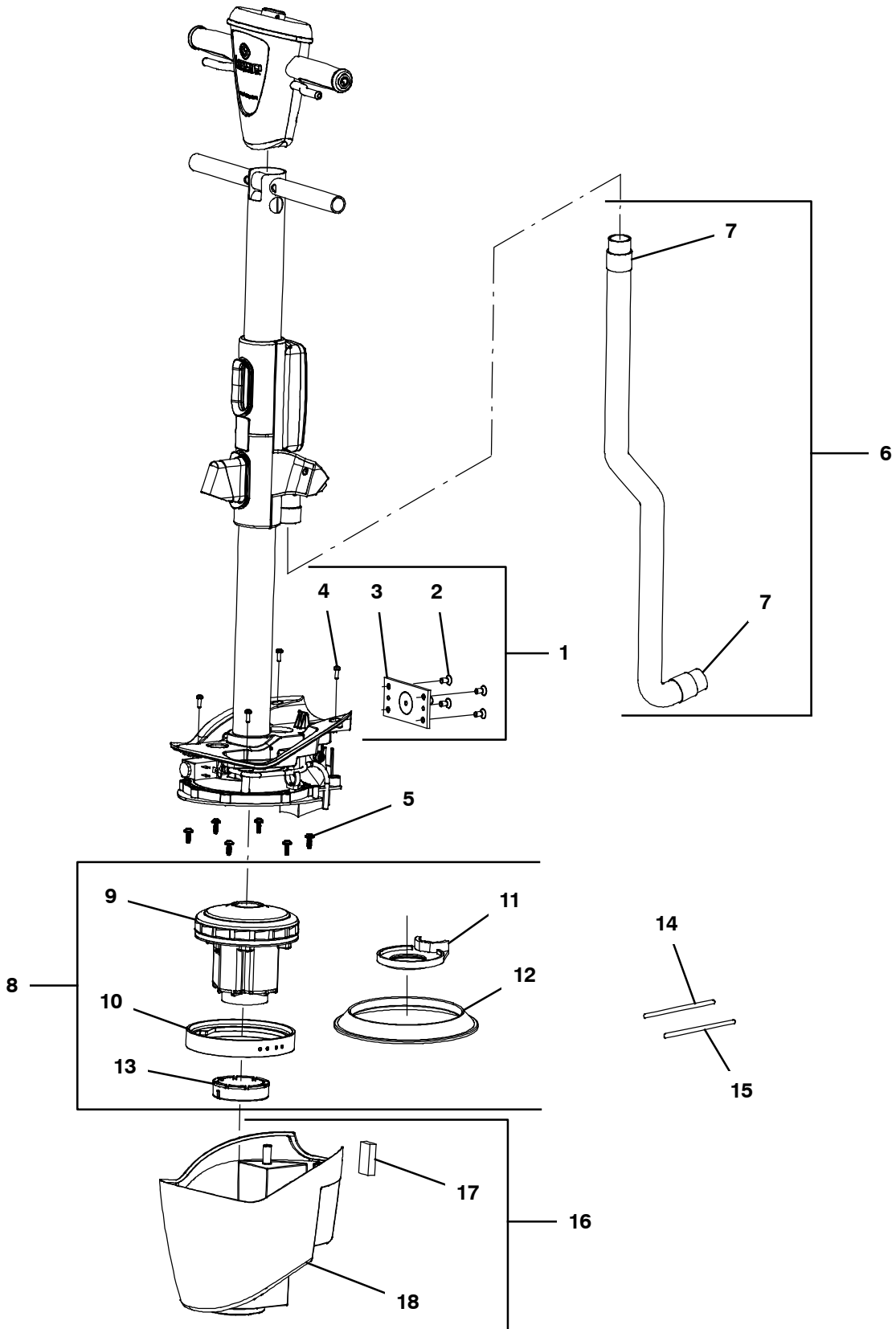
▽ ASSEMBLY

▲ INCLUDED IN ASSEMBLY

N/A = NOT AVAILABLE SEPARATELY - MUST ORDER ASSEMBLY (▽)

HANDLE ASSEMBLY - CONT'D

355925





## HANDLE ASSEMBLY - CONT'D

	Ref.	Part No.	Serial Number	Description	Qty.
▽	1	1232694	( )	Hinge Kit, Lever	1
▲	2	N/A	( )	Count Sunk Screw N3.5x13 Philips Head	2
▲	3	N/A	( )	Hinge Welding Assy Top Unit	1
▲	4	1234974	( )	Screw, Flt, Soc, M6 X 12 NI [10x, Imop]	4
▲	5	N/A	( )	Screw Wn 5451 5.0x14 Ejot Delta Pt	6
▽	6	1267121	( )	Hose, Stretch, Complete [I- Mop]	1
▲	7	1267113	( )	Cuff, Hose, W/Hook [I- Mop]	2
▽	8	1255493	( )	Fan Kit, Vac [Imop XI & Xxl & Plus]	1
▲▽	9	N/A	( )	Domel Vacuum Cleaner Motor	1
▲▲		1246373	( )	Wire, Terminal, Motor [XI & Xxl Imop]	1
▲	10	N/A	( )	Vac Motor Sealing Support	1
▲	11	N/A	( )	Vac Motor Sealing Bottom	1
▲▽		1246375	( )	Gasket Set, Motor, Vacuum [XI & Xxl]	1
▲▲	12	N/A	( )	Center Sealing Gasket Top Vacuum Motor	1
▲▲	13	N/A	( )	Vacuum Motor Sealing Top	1
▽		1246373	( )	Wire, Terminal, Motor [XI & Xxl Imop] (Vac Motor Leads)	1
▲	14	N/A	( )	187 Terminal + Wire 14awg Red, L=280mm 250 Terminal	1
▲	15	N/A	( )	187 Terminal + Wire 14awg Blk, L=280mm 250 Terminal	1
▽	16	1232711	( )	Cover Kit, Fan	1
▲	17	N/A	( )	Magnet Top Unit	1
▲	18	N/A	( )	Motor Unit Cover	1

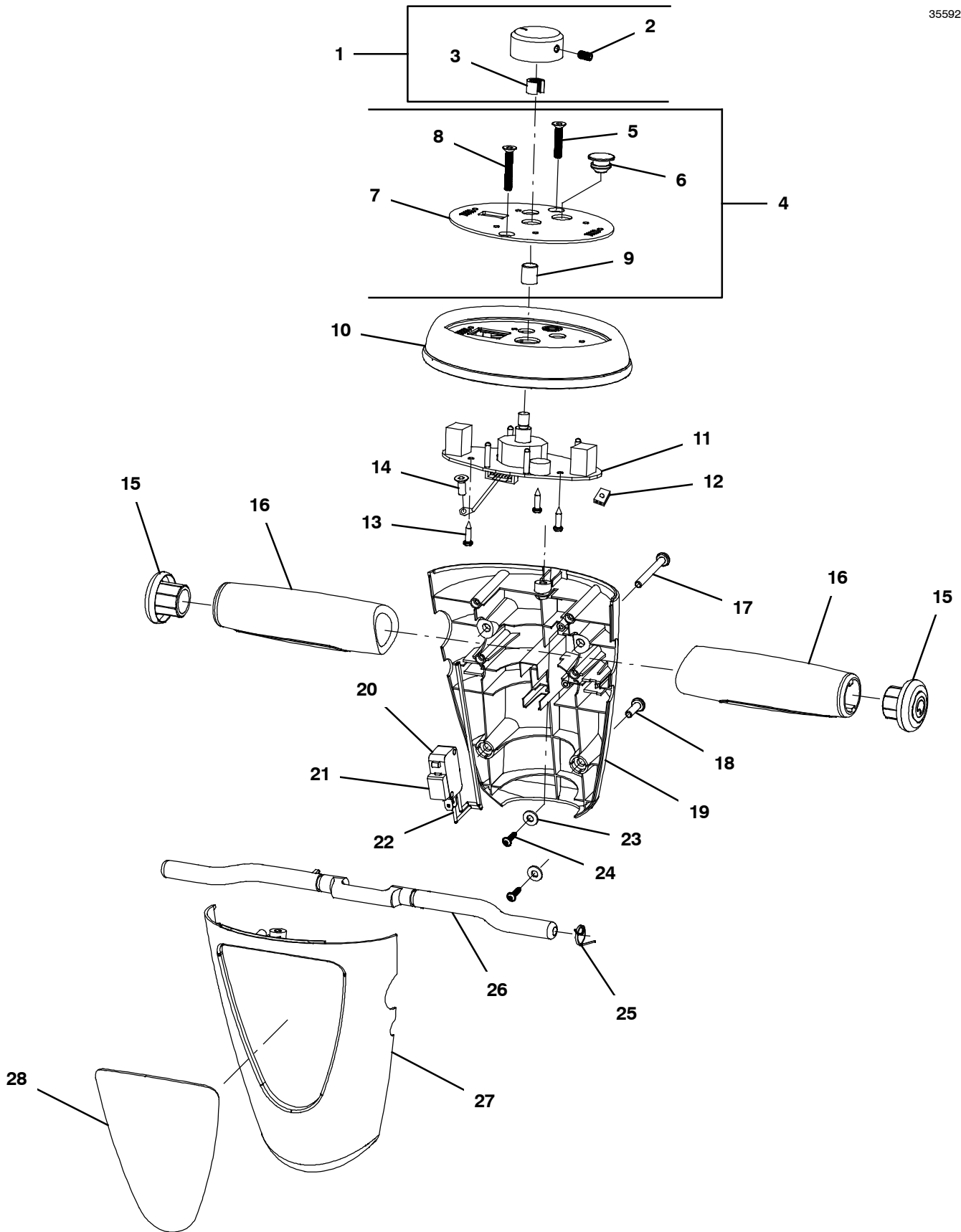
▽ ASSEMBLY

▲ INCLUDED IN ASSEMBLY

N/A = NOT AVAILABLE SEPARATELY - MUST ORDER ASSEMBLY (▽)

CONTROL CONSOLE ASSEMBLY

355926



CONTROL CONSOLE ASSEMBLY

Ref.	Part No.	Serial Number	Description	Qty.
▽	1266738	( )	Control Assy, Unit [Teal I- Mop]	1
▲▽	1 1232684	( )	Knob Kit, Housing, Top [xl]	1
▲▲	2 N/A	( )	Hexagon Socket Set Screw M4 x 8	1
▲▲	3 N/A	( )	Fixation Insert Turning Button	1
▲▽	4 1266711	( )	Decal, Instr [Teal I- Mop]	1
▲▲	5 N/A	( )	M4x25 Countersunk Screw Stainless Steel	1
▲▲	6 N/A	( )	Rubber Block Water Save Adjustment Hole[A]	1
▲▲	7 N/A	( )	Decal Kit, Instr, Dash [xl]	1
▲▲	8 N/A	( )	M4x20 Countersunk Screw Stainless Steel	1
▲▲	9 N/A	( )	Water Save Button	1
▲	10 1266705	( )	Contrl Hsg, Top[Teal W/Bmpr XI&Xxl I- Mop]	1
▲▽	1266748	( )	Circuitboard Kit, Contrl [Teal I- Mop] (Includes Decal #7 & Water Save Button #9)	1
▲▲	11 N/A	( )	Circuitboard, Cntrl [XL&XXL Plus Imop]	1
▲▲	12 N/A	( )	Switch Wire Clamp, Color: Black	1
▲▲	13 N/A	( )	Screw M3x12 Crosshead Selftapping Bl- ni Sst	3
▲▲	14 N/A	( )	Screw 4x10	1
▲▽	1267124	( )	Grip Kit, Handle [I- Mop]	2
▲▲	15 1267120	( )	Cap, End [W/Logo I- Mop]	2
▲▲	16 1234963	( )	Grip, Handle [xl I- Mop Set Of 2]	1
▲▽	1266706	( )	Housing Kit, Rear, W/Hdwr [Teal XI&Xxl]	1
▲▲	17 N/A	( )	Screw M4x35 Crosshead, Standard Thread Sst	2
▲▲	18 N/A	( )	Screw M4x12 Crosshead, Standard Thread Sst	2
▲▲	19 N/A	( )	Housing, Control, Rear [Teal I- Mop]	1
▲▽	1246344	( )	Switch Kit, Power [XI & Xxl Imop]	1
▲▲	20 N/A	( )	Power Switch Control Unit Omoron	1
▲▲	21 N/A	( )	Rubber Block 15x10x5mm Injected	1
▲▲	22 N/A	( )	On/Off Switch Wires / L=250mm	1
▲▲	23 N/A	( )	Plastic Washer 9x4x1mm	2
▲▲	24 N/A	( )	Screw Wn 5451 25x10 Ejot Delta Pt	2
▲▽	1266704	( )	Handle, Control [Teal, I- Mop]	1
▲▲	25 N/A	( )	Spring Switch Lever Dia 0.8mm	1
▲▲	26 N/A	( )	Handle, Control [Teal, Imop]	1
▲	27 1266708	( )	Housing, Control, Front [Teal I- Mop]	1
▲	28 1266712	( )	Plate, Label, W/Clip [Teal XI Plus I- Mop]	1

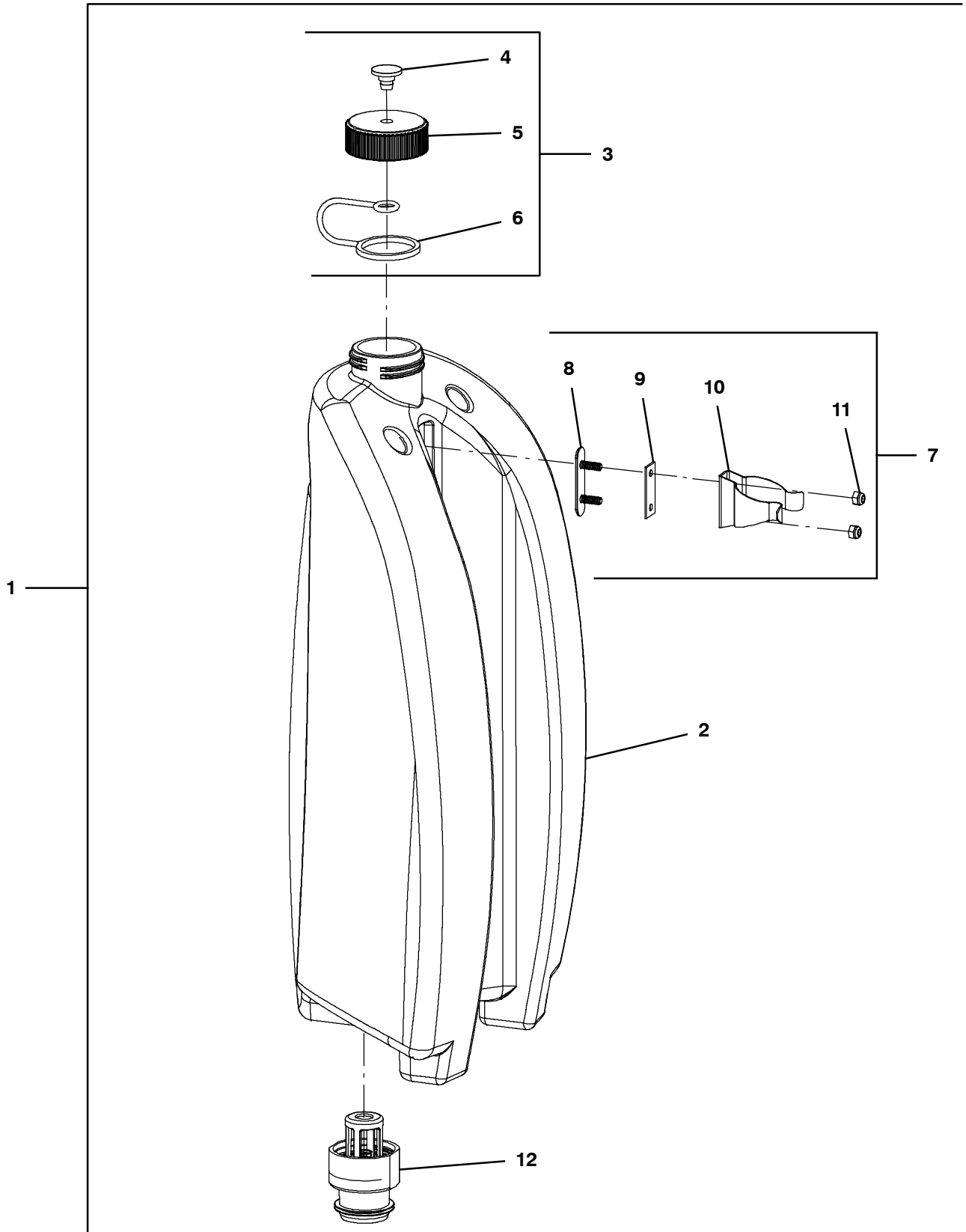
▽ ASSEMBLY

▲ INCLUDED IN ASSEMBLY

N/A = NOT AVAILABLE SEPARATELY - MUST ORDER ASSEMBLY (▽)

CLEAN WATER TANK ASSEMBLY

355927



**CLEAN WATER TANK ASSEMBLY**

	<b>Ref.</b>	<b>Part No.</b>	<b>Serial Number</b>	<b>Description</b>	<b>Qty.</b>
▽	1	1265854	( )	Tank Kit, Solution [Imop XI W/Blue Cap]	1
▲	2	N/A	( )	Clean Water Compartment	1
▲▽	3	1232663	( )	Cap Kit, Tank, Sol [Blue] (Standard)	1
▲▽	3	1232665	( )	Cap Kit, Tank, Sol [Red] (Option)	1
▲▽	3	1232666	( )	Cap Kit, Tank, Sol [Yellow] (Option)	1
▲▽	3	1232667	( )	Cap Kit, Tank, Sol [Green] (Option)	1
▲▲	4	N/A	( )	Sleeve Cap Holder Clean Tank	1
▲▲	5	N/A	( )	Cap With Hole	1
▲▲	6	N/A	( )	Cap Holder	1
▲▽	7	1232676	( )	Clip, Retaining, Tank (Includes Qty 1 Clip Assembly)	1
▲▲	8	N/A	( )	Holder Plate Clip Clean Tank	1
▲▲	9	N/A	( )	Rubber Cushion For Metal Clip	1
▲▲	10	N/A	( )	Clip, Retaining, Tank	1
▲▲	11	N/A	( )	Nut M4 Nylon Stainless	2
▲	12	1232519	( )	Coupling, Water	1

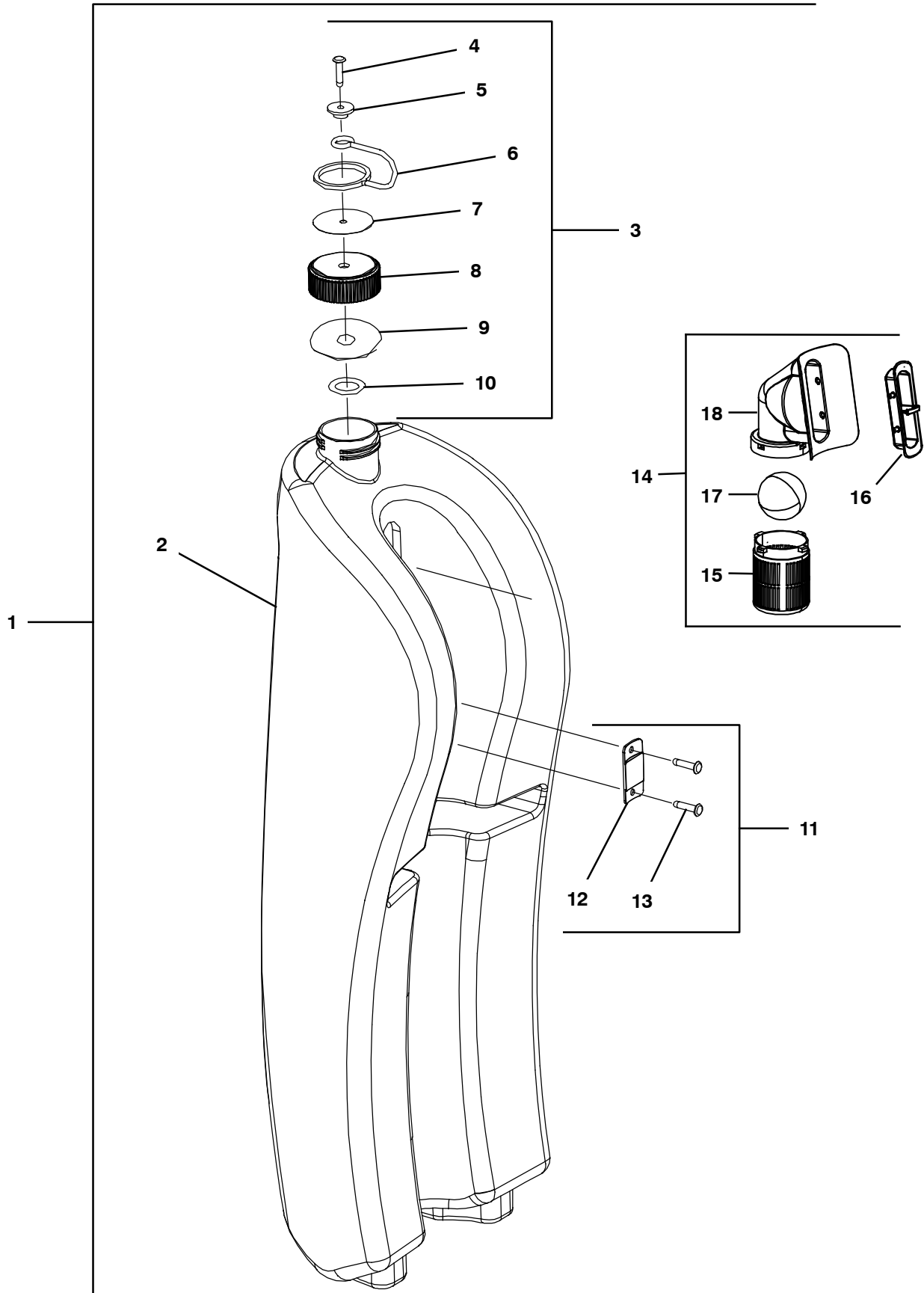
▽ ASSEMBLY

▲ INCLUDED IN ASSEMBLY

N/A = NOT AVAILABLE SEPARATELY - MUST ORDER ASSEMBLY (▽)

DIRTY WATER TANK ASSEMBLY

355674



## DIRTY WATER TANK ASSEMBLY

	Ref.	Part No.	Serial Number	Description	Qty.
▽	1	1265855	( )	Tank Kit, Recovery, [I- Mop]	1
▲	2	N/A	( )	Dirty Water Compartment	1
▲▽	3	1232661	( )	Cap Kit, Tank, Rec	1
▲▲	4	N/A	( )	Blind Rivet Nail 4 X 15 Mmg	1
▲▲	5	N/A	( )	Sleeve Cap Holder	1
▲▲	6	N/A	( )	Cap Holder	1
▲▲	7	N/A	( )	Warning Plate On Dirty Tank Round Stainless 4.5mm	1
▲▲	8	N/A	( )	Cap Without Hole	1
▲▲	9	N/A	( )	Sealing Gasket Cap Dirty Tank	1
▲▲	10	N/A	( )	Plastic Washer 9x4x1mm	1
▲▽	11	1232600	( )	Plate, Mtg, Tank	1
▲▲	12	N/A	( )	Fixation Plate Dirt Compartment	1
▲▲	13	N/A	( )	Blind Rivet Nail 4 X 15 Mmg	2
▲▽	14	1251765	( )	Float Asm, Ball [xl & xxl plus imop]	1
▲▲	15	1251766	( )	Cage, Ball, Float [xl &xxl plus imop]	1
▲▲	16	1251767	( )	Support, Housing [xl & xxl plus imop]	1
▲▲	17	1251768	( )	Ball, Float [xl &xxl plus imop]	1
▲▲	18	1251769	( )	Housing, Ball, Float [xl &xxl plus imop]	1

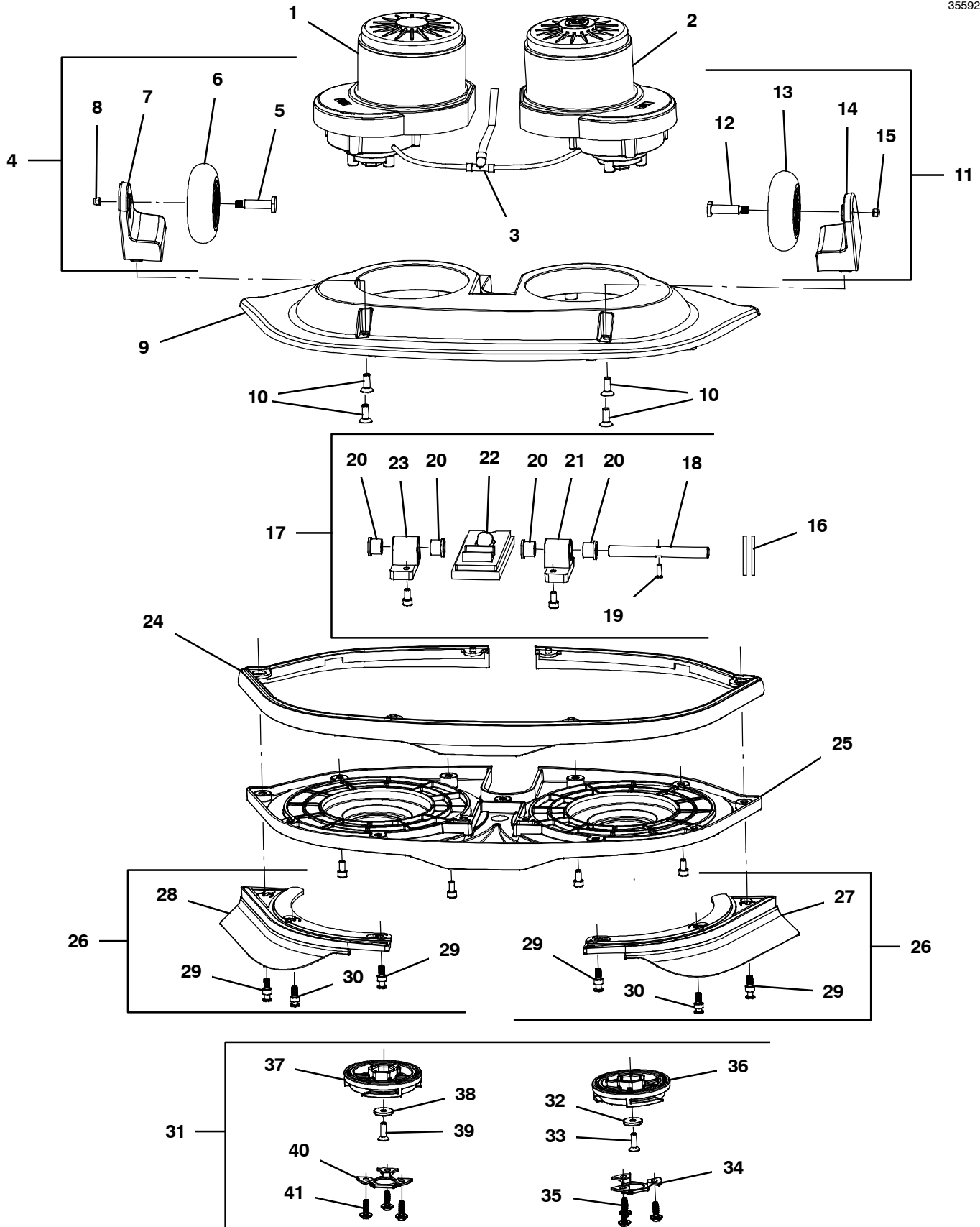
▽ ASSEMBLY

▲ INCLUDED IN ASSEMBLY

N/A = NOT AVAILABLE SEPARATELY - MUST ORDER ASSEMBLY (▽)

SCRUB HEAD ASSEMBLY

355928





## SCRUB HEAD ASSEMBLY

Ref.	Part No.	Serial Number	Description	Qty.
	1	1232579	( ) Motor, Brush, Rh	1
	2	1232582	( ) Motor, Brush, Lh	1
	3	1232693	( ) Fitting Assy, Water Channel [Imop]	1
▽	4	1266710	( ) Transport Kit, Caster, Rh [Teal I- Mop]	1
▲	5	N/A	( ) Shaft Transport Caster	1
▲	6	N/A	( ) Transport Caster	1
▲	7	N/A	( ) Transport Wheel Pilar Right	1
▲	8	N/A	( ) Nut M5 Nylon	1
	9	1266739	( ) Cover, Motor, Brush [Teal XL I- Mop]	1
	10	1234969	( ) Screw, Flt, Soc, M6 X 16 NI [10x,Imop]	1
▽	11	1266709	( ) Transport Kit, Caster, Lh [Teal I- Mop]	1
▲	12	N/A	( ) Shaft Transport Caster	1
▲	13	N/A	( ) Transport Caster	1
▲	14	N/A	( ) Transport Wheel Pilar Left	1
▲	15	N/A	( ) Nut M5 Nylon	1
	16	N/A	( ) Pedestal Shaft Pin	2
▽	17	1232714	( ) Hinge Kit, Hd, Brush	1
▲	18	N/A	( ) Chassis Hinge	1
▲	19	N/A	( ) Nylok Screw Counter Sunk Bolt M4x12	1
▲	20	1246382	( ) Bushing, Cover, Motor [Xxl Imop] (Includes Qty 4)	4
▲	21	N/A	( ) Brush Unit Hinge Support Left	1
▲	22	N/A	( ) Construction Cover Seal	1
▲	23	N/A	( ) Brush Unit Hinge Support Right	1
	24	1232687	( ) Bumper, Brush	1
	25	1232583	( ) Cover, Brush, Bottom	1
▽	26	1265853	( ) Splash Guard Kit, Lh & Rh [I- Mop Xl]	1
▲	27	N/A	( ) Splashing Guard Imop Left	1
▲	28	N/A	( ) Splashing Guard Imop Right	1
▲	29	N/A	( ) Bolt Splash Guard M5x21.5 (Silver)	4
▲	30	N/A	( ) Bolt Splash Guard M5x19 Black	2
▽	31	1232675	( ) Cover, Brush, Motor (Includes Qty 2 Cover Assemblies)	1
▲▽		1246378	( ) Drive, Brush, Left [XI & Xxl Imop]	1
▲▲	32	N/A	( ) Support Disk Driving Wheel Side Hole Dia 5mm	1
▲▲	33	1234973	( ) Screw, Flt, Soc, M5 X 18.5 Lh NI [ Imop]	1
▲▲	34	N/A	( ) Cover Brush Motor Screw Color: Blue	1
▲▲	35	N/A	( ) Screw Wn 5451 50x14 Ejot Delta Pt	3
▲▲	36	N/A	( ) Driving Wheel Bottom Left Color: Gray	1
▲▽		1246377	( ) Drive, Brush, Right [XI & Xxl]	1
▲▲	37	N/A	( ) Driving Wheel Bottom Right Color: Gray	1
▲▲	38	N/A	( ) Support Disk Driving Wheel Side Hole Dia 5mm	1
▲▲	39	1234972	( ) Screw, Flt, Soc, M5 X 18.5 NI [10x,Imop]	1
▲▲	40	N/A	( ) Cover Brush Motor Screw Color: Blue	1
▲▲	41	N/A	( ) Screw Wn 5451 50x14 Ejot Delta Pt	3

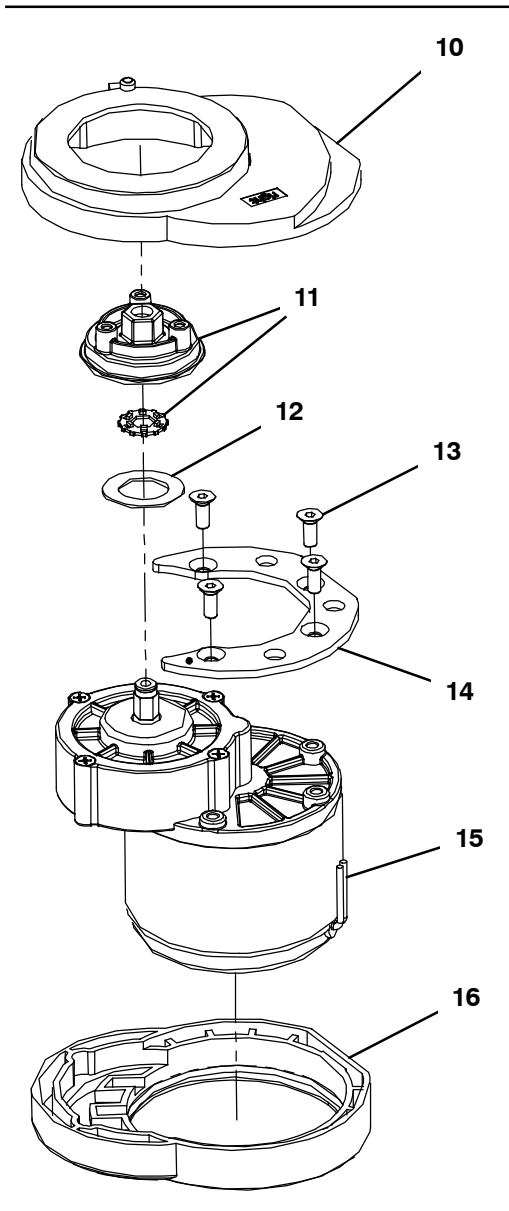
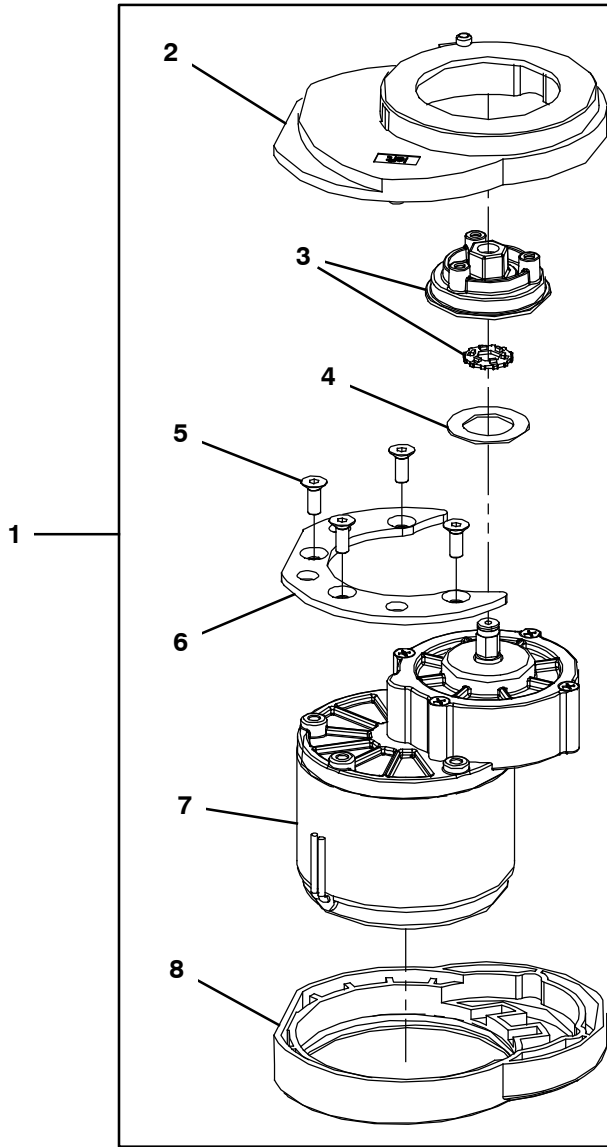
▽ ASSEMBLY

▲ INCLUDED IN ASSEMBLY

N/A = NOT AVAILABLE SEPARATELY - MUST ORDER ASSEMBLY (▽)

BRUSH MOTOR ASSEMBLY

355680



## BRUSH MOTOR ASSEMBLY

	Ref.	Part No.	Serial Number	Description	Qty.
▽	1	1232582	( )	Motor, Brush, Lh	1
▲	2	N/A	( )	Brush Motor Support Rubber Left	1
▲	3	1237826	( )	Wheel, Driving, W/Metal Insert [Xxl]	1
▲	4	N/A	( )	Felt Brush Motor	1
▲	5	N/A	( )	Nylock Screw Counter Sunk Bolt M6 x 16	4
▲	6	N/A	( )	Brush Motor Construction Ring Left	1
▲	7	N/A	( )	Brush Motor Helical Gears Left	1
▲	8	N/A	( )	Brush Motor Fixation Conductive Rubber Left	1
▽	9	1232579	( )	Motor, Brush, Rh	1
▲	10	N/A	( )	Brush Motor Support Rubber Right	1
▲	11	1237826	( )	Wheel, Driving, W/Metal Insert [Xxl]	1
▲	12	N/A	( )	Felt Brush Motor	1
▲	13	N/A	( )	Nylock Screw Counter Sunk Bolt M6 x 16	4
▲	14	N/A	( )	Brush Motor Construction Ring Right	1
▲	15	N/A	( )	Brush Motor Helical Gears Right	1
▲	16	N/A	( )	Brush Motor Fixation Conductive Rubber Right	1

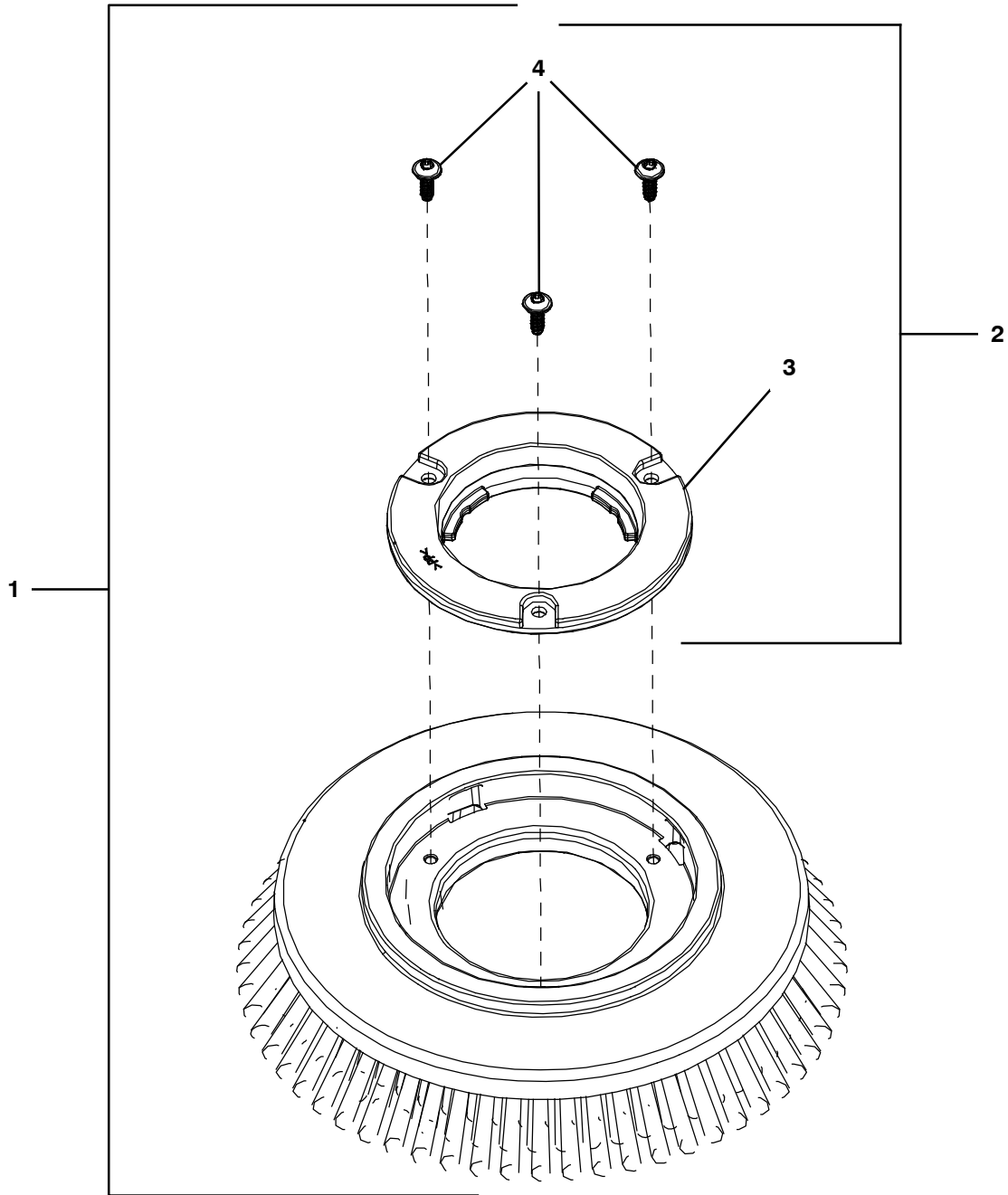
▽ ASSEMBLY

▲ INCLUDED IN ASSEMBLY

N/A = NOT AVAILABLE SEPARATELY - MUST ORDER ASSEMBLY (▽)

BRUSH DRIVER ASSEMBLY

355578



## BRUSH DRIVER ASSEMBLY

Ref.	Part No.	Serial Number	Description	Qty.
▽	1	1232578	( ) Brush, Med, Blu, 9.0 [XI Qty 2] (Standard - Medium Duty Daily Scrubbing)	1
▽	1	1232608	( ) Brush, Soft, Lt Blu, 9.0 [XI Qty 2] (Option - Soft Light Duty Cleaning)	1
▽	1	1232607	( ) Brush, Hard, Red, 9.0 [XI Qty 2] (Option - Heavy Duty Deep Cleaning & Grout)	1
▽	1	1233556	( ) Brush, Med, Blu, 9.0 [XI W/grn Lock Qty 2] (Option - Medium Duty Daily Scrubbing)	1
▽	1	1233557	( ) Brush, Med, Blu, 9.0 [XI W/red Lock Qty 2] (Option - Medium Duty Daily Scrubbing)	1
▽	1	1233559	( ) Brush, Med, Blu, 9.0 [XI W/ylw Lock Qty 2] (Option - Medium Duty Daily Scrubbing)	1
▲▽	2	1232620	( ) Driver Kit, Brush [Blue] (Set of 2) (Standard)	1
▲▽	2	1232622	( ) Driver Kit, Brush [Red] (Set of 2) (Option)	1
▲▽	2	1232624	( ) Driver Kit, Brush [Yellow] (Set of 2) (Option)	1
▲▽	2	1232626	( ) Driver Kit, Brush [Green] (Set of 2) (Option)	1
▲▲	3	N/A	( ) Brush Locker [Blue] (Standard)	2
▲▲	3	N/A	( ) Brush Locker [Red] (Option)	2
▲▲	3	N/A	( ) Brush Locker [Yellow] (Option)	2
▲▲	3	N/A	( ) Brush Locker [Green] (Option)	2
▲▲	4	N/A	( ) Screw Wn 5451 50x14 Ejoy Delta Pt	6

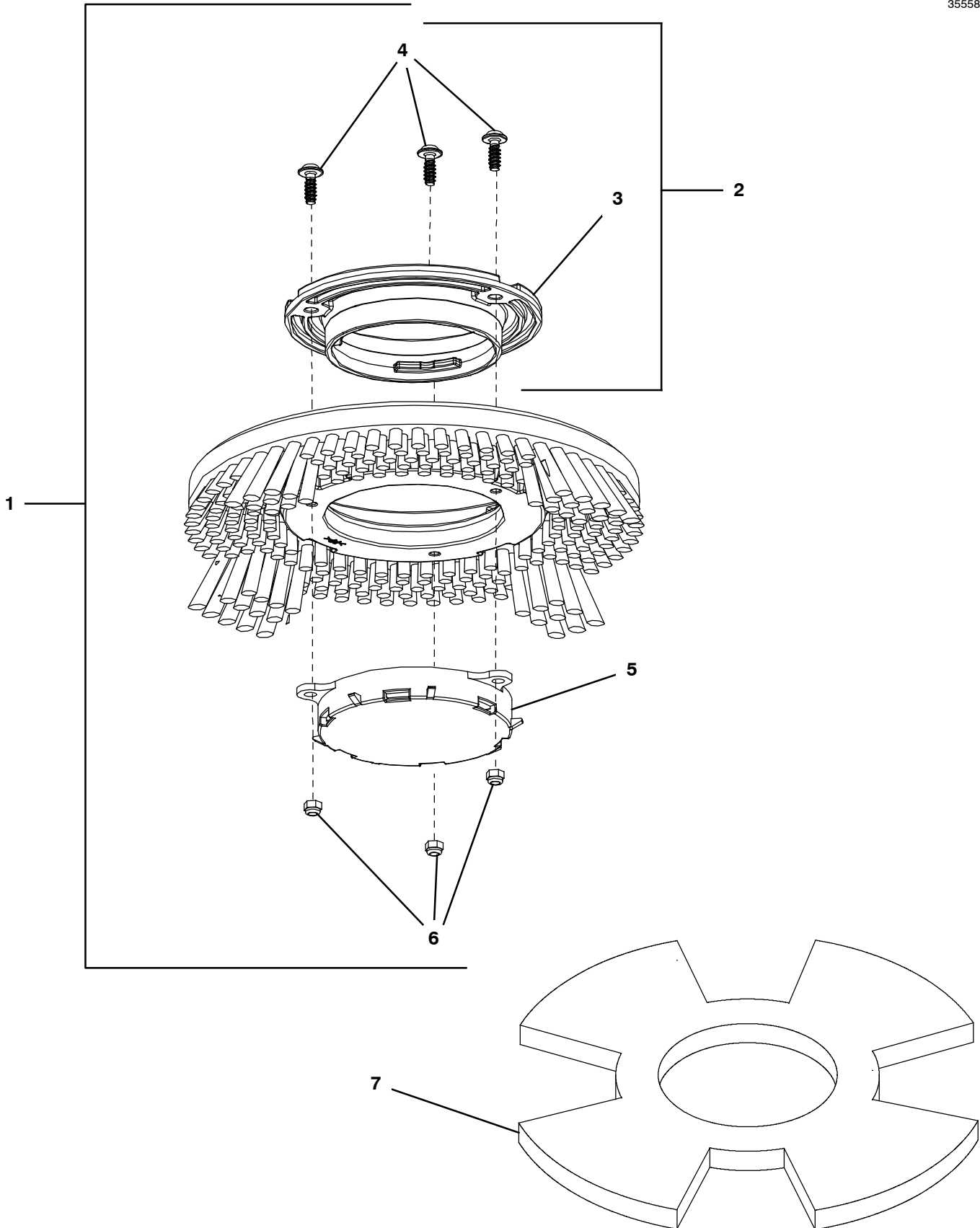
▽ ASSEMBLY

▲ INCLUDED IN ASSEMBLY

N/A = NOT AVAILABLE SEPARATELY - MUST ORDER ASSEMBLY (▽)

PAD DRIVER ASSEMBLY

355586



## PAD DRIVER ASSEMBLY

	Ref.	Part No.	Serial Number	Description	Qty.
▽	1	1232613	( )	Pad, Drvr, 9.2 [XI Qty2]	1
▲▽	2	1232620	( )	Driver Kit, Brush [Blue] (Standard)	2
▲▽	2	1232622	( )	Driver Kit, Brush [Red] (Option)	2
▲▽	2	1232624	( )	Driver Kit, Brush [Yellow] (Option)	2
▲▽	2	1232626	( )	Driver Kit, Brush [Green] (Option)	2
▲▲	3	N/A	( )	Brush Locker [Blue] (Standard)	2
▲▲	3	N/A	( )	Brush Locker [Red] (Option)	2
▲▲	3	N/A	( )	Brush Locker [Yellow] (Option)	2
▲▲	3	N/A	( )	Brush Locker [Green] (Option)	2
▲▲	4	N/A	( )	Screw Wn 5451 50x14 Ejot Delta Pt	6
▲	5	N/A	( )	Assy Pad Holder Imop	2
▲	6	N/A	( )	Nut M4 Nylon Stainless	6
	7	1234346	( )	Pad, Red, 8.5 [XI Qty 10 Pads] (Cleaning)	1
	7	1234347	( )	Pad, Wht, 8.5 [XI Qty 10 Pads] (Buffing)	1
	7	1234348	( )	Pad, Green, 8.5 [XI Qty 10 Pads] (Scrubbing)	1
	7	1234350	( )	Pad, Blu, 8.5 [XI Qty 10 Pads] (Scrubbing)	1
	7	1234344	( )	Pad, Blk, 8.5 [XI Qty 10 Pads] (Light Stripping)	1
	7	1232649	( )	Pad, Grn, 8.5 [XI Twister Qty 2] (Diamond Polishing Pad - Daily Cleaning)	1
	7	1232645	( )	Pad, Ylw, 8.5 [XI Twister Qty 2] (Diamond Polishing Pad - Periodic Cleaning)	1
	7	1232650	( )	Pad, Wht, 8.5 [XI Twister Qty 2] (Diamond Polishing Pad - Deep Cleaning)	1
	7	1232651	( )	Pad, Red, 8.5 [XI Twister Qty 2] (Diamond Polishing Pad - Deep Cleaning Aggressive)	1
	7	1232647	( )	Pad, Orng, 8.5 [XI Twister Qty 2] (Diamond Polishing Pad - Ceramic Tiles)	1
	7	1232648	( )	Pad, Blu, 8.5 [XI Twister Qty 2] (Diamond Polishing Pad - High Traffic Areas)	1

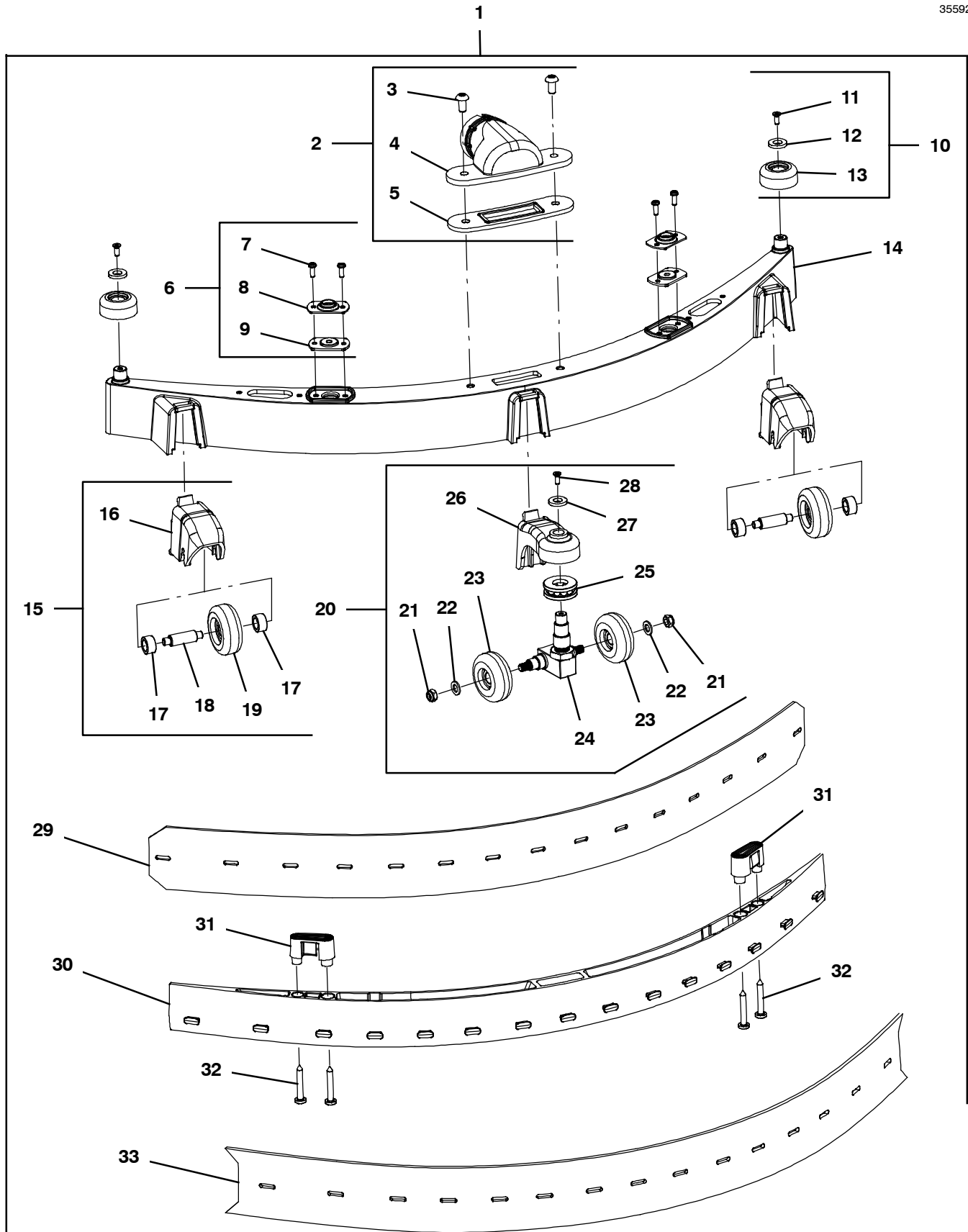
▽ ASSEMBLY

▲ INCLUDED IN ASSEMBLY

N/A = NOT AVAILABLE SEPARATELY - MUST ORDER ASSEMBLY (▽)

SQUEEGEE ASSEMBLY

355929





## SQUEEGEE ASSEMBLY

	Ref.	Part No.	Serial Number	Description	Qty.
▽	1	1265851	( )	Squeegee Assy, [I- Mop XI]	1
▲▽	2	1267118	( )	Connector, Hose, Squeegee [I- Mop]	1
▲▲	3	N/A	( )	Screw Countersunk Head Torx M3x8	2
▲▲	4	N/A	( )	Squeegee Hose Connector- Up Yellow	1
▲▲	5	1234956	( )	Gasket, Hose, Squeegee [Imop]	1
▲▽	6	N/A	( )	Retaining Kit, Sqge	1
▲▲	7	N/A	( )	Screw Cylinder Round Cap M3x8	4
▲▲	8	N/A	( )	Plate, Mtg, Sqge [Imop] (Qty 1)	2
▲▲	9	1233871	( )	Washer, Rbr, Sqge [Black, Imop] (Qty 1)	2
	9	1234948	( )	Washer, Rbr, Sqge [Black, Imop, Qty 100]	1
▲▽	10	1266788	( )	Caster, Glide, Squeegee [Teal I- Mop] (Includes Qty 1 Glide Castor Assembly)	2
▲▲	11	N/A	( )	Screw Countersunk Head Torx M3x8	1
▲▲	12	N/A	( )	Washer, Countersunk, [M3x13od Teal I- Mop]	1
▲▲	13	N/A	( )	Caster, Glide, Squeegee	1
▲	14	1266750	( )	Frame, Main, Squeegee [Teal XI I- Mop]	1
▲▽	15	1266786	( )	Bracket, Caster, Static, Gray[Teal I- Mop] (Includes Qty 2 Static Castor Assemblies)	1
▲▲	16	N/A	( )	Bracket, Caster, Static, Gray	2
▲▲	17	N/A	( )	Caster, Spacer, Static [Teal I- Mop]	4
▲▲	18	N/A	( )	Shaft, Caster [Teal I- Mop]	2
▲▲	19	1267130	( )	Caster Kit, Squeegee [I- Mop]	2
▲▽	20	1266791	( )	Bracket, Caster, Swivel, Gray[Teal I- Mop]	1
▲▲	21	N/A	( )	Nut Nylon M5 Stainless	2
▲▲	22	N/A	( )	Washer M4 Stainless Steel 5x15x1mm	2
▲▲	23	1267130	( )	Caster Kit, Squeegee [I- Mop]	2
▲▲	24	N/A	( )	Shaft Assy Squeegee Dual Castor	1
▲▲	25	N/A	( )	Ball Bearing Thrust	1
▲▲	26	N/A	( )	Bracket, Caster, Swivel, Gray[Teal I- Mop]	1
▲▲	27	N/A	( )	Washer, Countersunk, [M3x13od Teal I- Mop]	1
▲▲	28	N/A	( )	Screw Countersunk Head Torx M3x8	1
▲	29	1232627	( )	Blade, Sqge, Front, 22.4 [XI] (Standard - Red Linatex)	1
▲	30	1266751	( )	Holder, Blade, Squeegee [Teal XI I- Mop]	1
▲▽		1266752	( )	Holder, Button, Push, Sqg [Teal XI I- Mop (Description?)	2
▲▲	31	N/A	( )	Holder, Button, Push, Sqg	2
▲▲	32	N/A	( )	Screw, Black, [St4x16 Ss Teal I- Mop]	4
▲	33	1232629	( )	Blade, Sqge, Rear, 24.0[XI Lina] (Standard - Red Linatex)	1
	33	1232635	( )	Blade, Sqge, Rear, 24.0 [XI Ure] (Option)	1

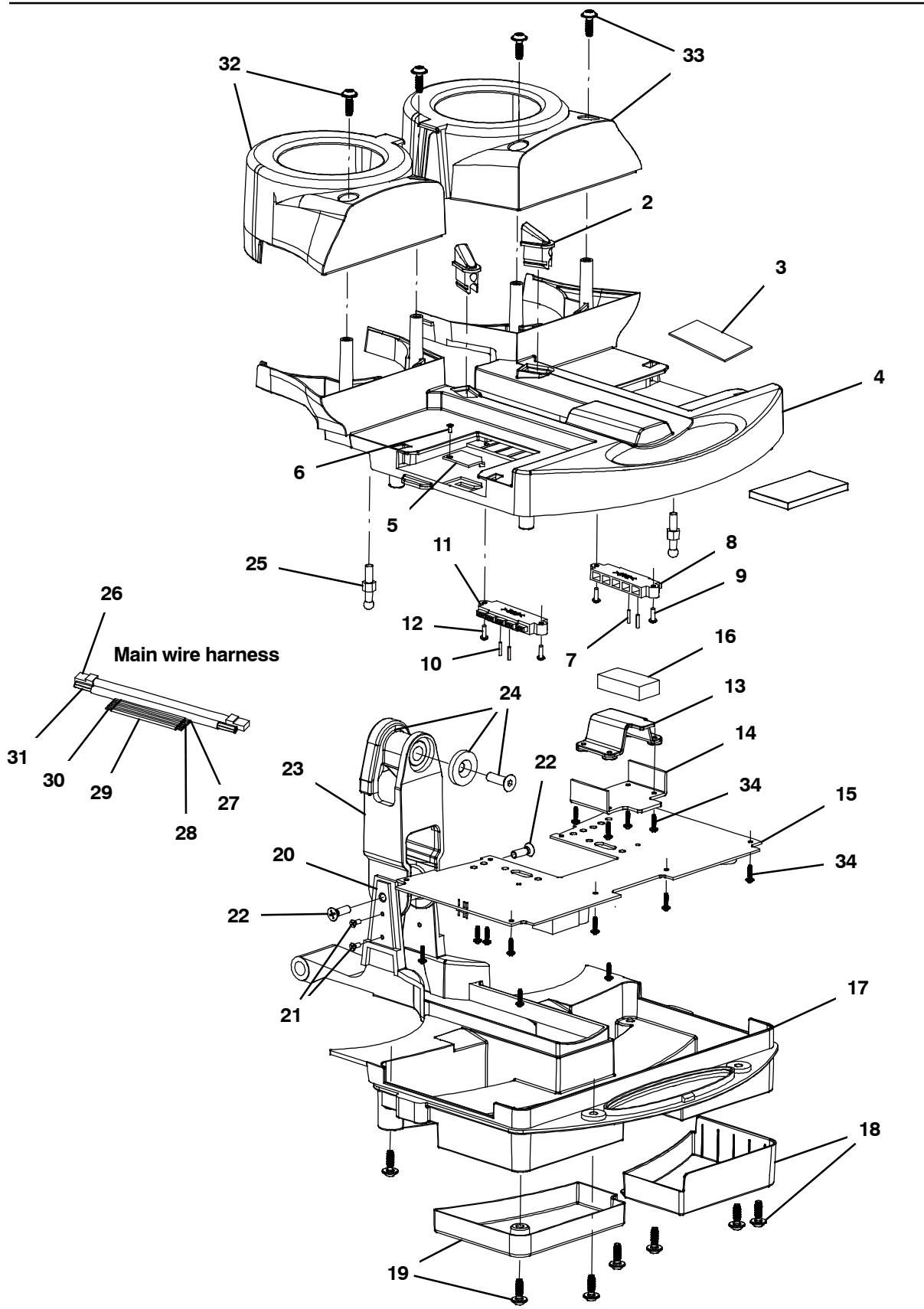
▽ ASSEMBLY

▲ INCLUDED IN ASSEMBLY

N/A = NOT AVAILABLE SEPARATELY - MUST ORDER ASSEMBLY (▽)

MAIN LEVER ASSEMBLY

355930



MAIN LEVER ASSEMBLY

Ref.	Part No.	Serial Number	Description	Qty.
▽	1	1266735	( ) Housing, Main, Mercury [Teal XI I- Mop]	1
▲▽		1267128	( ) Cover Assy, Lever, Main [XI Teal I- Mop]	1
▲▲	2	N/A	( ) Pcb Machine Seal	2
▲▲	3	N/A	( ) Sticker Imop [Strong Magnets]	1
▲▲	4	N/A	( ) Main Lever Cover Color: White	1
▲▲	5	N/A	( ) Cover Usb Update Slot Color: White	1
▲▲	6	N/A	( ) Screw Counter Sunk M1.7x6	1
▲▽		1246386	( ) Connector, Battery, Rh [XI & Xxl Imop]	1
▲▲	7	N/A	( ) Alignment Pin Longer Version	2
▲▲	8	N/A	( ) Battery Connector Male Right Color: Gray	1
▲▲	9	N/A	( ) Screw Wn 5451 25x10 Ejot Delta Pt	2
▲▽		1246387	( ) Connector, Battery, Lh [XI & Xxl Imop]	1
▲▲	10	N/A	( ) Alignment Pin Longer Version	2
▲▲	11	N/A	( ) Battery Connector Male Left Color: Blue	1
▲▲	12	N/A	( ) Screw Wn 5451 25x10 Ejot Delta Pt	2
▲	13	N/A	( ) Magnet Top Unit Holder Color: Gray	1
▲	14	N/A	( ) Steel Cover Isolation Magnet T=3mm	1
▲	15	1266781	( ) Circuitboard, Main, Pcb [Teal Gyro I- Mop]	1
▲	16	N/A	( ) Magnet Top Unit 40x20x10mm	1
▲	17	1266714	( ) Housing, Lever, Main [Teal I- Mop]	1
	18	1267116	( ) Plate, Name, Bottom, White [I- Mop]	1
	19	1267117	( ) Plate, Name, Bottom, White [I- Mop]	1
▲▽		1246389	( ) Plate Asm, Hinge [XI & Xxl Imop]	1
▲▲	20	1234955	( ) Plate, Sppt, Lever (2pc) [Imop]	2
▲▲	21	1234971	( ) Screw, Flt, Soc, M3 X 8 Ss NI [10x,Imop]	4
▲▲	22	1234976	( ) Screw, Flt, Soc, M5 X 16 NI [10x, Imop]	2
▲▽	23	1266713	( ) Hinge Assy, Lever [Teal I- Mop]	1
▲▲	24	1237828	( ) Hardware Kit, Disk, Screw, Cover [Imop] (Same?)	1
▲	25	1246385	( ) Pin, Squeegee [XI & Xxl Imop] (Includes Qty 2)	1
▲▽		1266702	( ) Lever Asm, Main, Utp [XI & Xxl Imop] (New UTP Cable) (Main Harness Assy?)	1
▲▲	26	N/A	( ) Male Connector + Wires 14awg Red 150mm	2
▲▲	27	N/A	( ) Male Connector + Connector Wires 14awg Black 150mm	2
▲▲	28	N/A	( ) Wires For Brush Unit 14awg Black L=280mm	2
▲▲	29	N/A	( ) Wires For Brush Unit 14awg Red L=280mm	2
▲▲	30	N/A	( ) Power Cable 3 Wires [1.5mm 2 L=630mm]	1
▲▲	31	N/A	( ) Lever Asm, Main, Utp, [Teal XI&Xxl Imop]	1
▲	32	1266778	( ) Cover, Cooling, Motor, Gray [Teal I- Mop] (Incld Screws)	1
▲	33	1266775	( ) Cover, Cooling, Brush Motor, Gray [Teal (Incld Screws)	1
▲	34	N/A	( ) Screw Wn 5451 25x10 Ejot Delta Pt	12

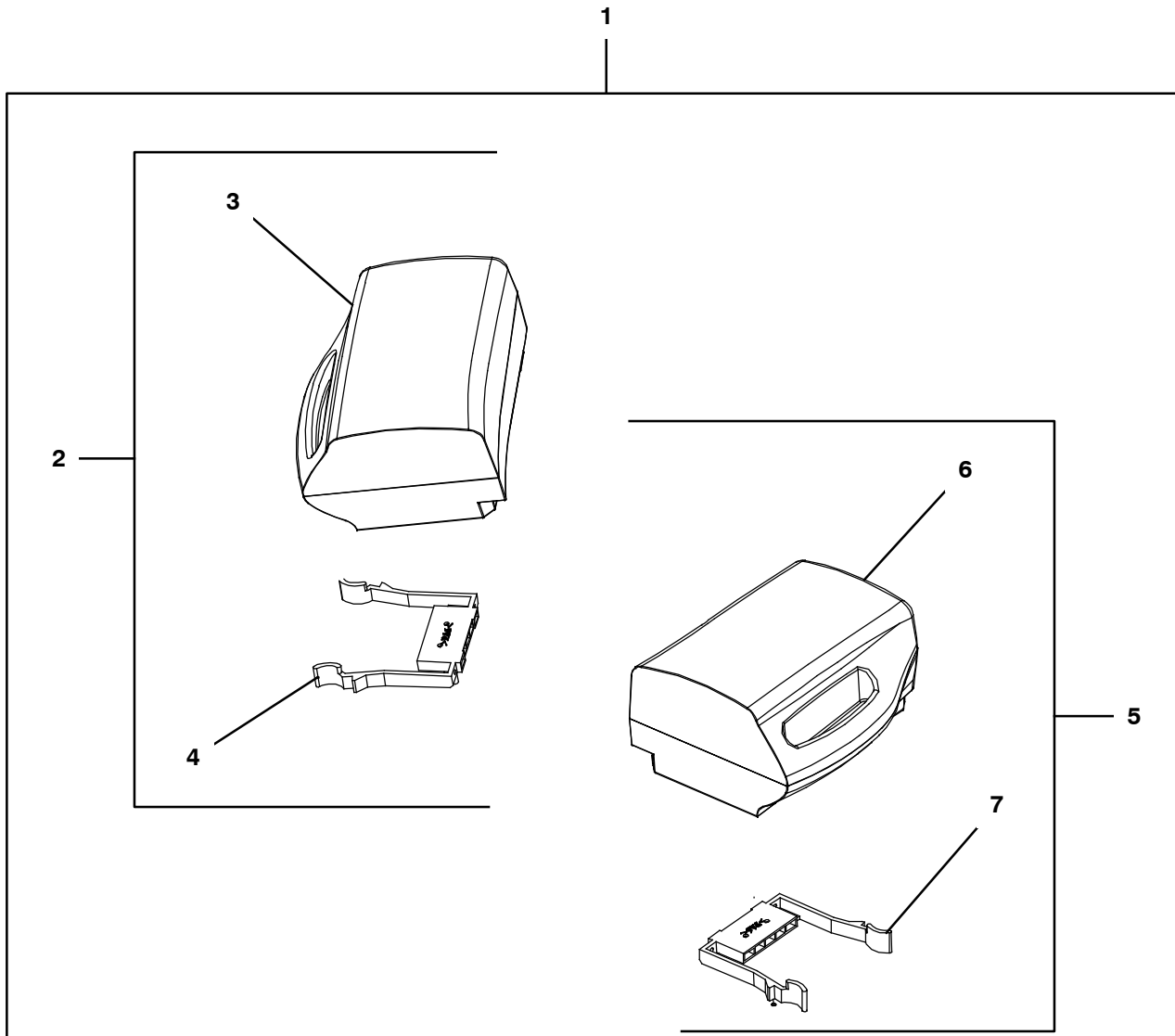
▽ ASSEMBLY

▲ INCLUDED IN ASSEMBLY

N/A = NOT AVAILABLE SEPARATELY - MUST ORDER ASSEMBLY (▽)

BATTERY PACK ASSEMBLY

355583



## BATTERY PACK ASSEMBLY

	Ref.	Part No.	Serial Number	Description	Qty.
▽	1	1232100	( )	Battery Kit [I- Mop Left & Right]	1
▲▽	2	N/A	( )	Battery, Pack, Rh	1
▲▲	3	N/A	( )	Battery Pack Gray [Right]	1
▲▲	4	1232598	( )	Connector, Bat, Fem, Rh (Color: Gray)	1
▲▽	5	N/A	( )	Battery, Pack, Lh	1
▲▲	6	N/A	( )	Battery Pack Blue [Left]	1
▲▲	7	1232545	( )	Connector, Bat, Fem, Lh (Color: Blue)	1

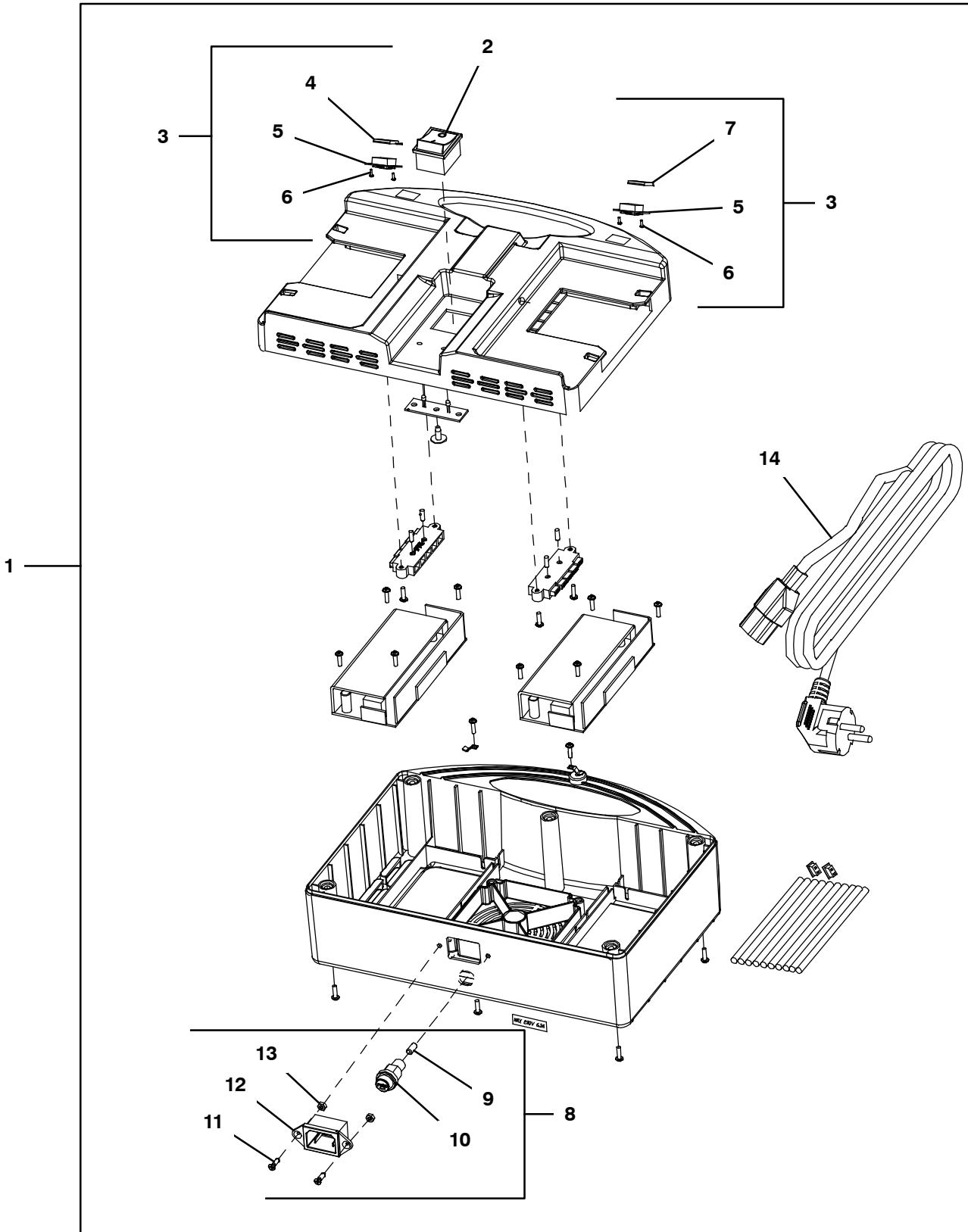
▽ ASSEMBLY

▲ INCLUDED IN ASSEMBLY

N/A = NOT AVAILABLE SEPARATELY - MUST ORDER ASSEMBLY (▽)

BATTERY CHARGER ASSEMBLY

355580



### BATTERY CHARGER ASSEMBLY (N. AMERICA)

	Ref.	Part No.	Serial Number	Description	Qty.
▽	1	1264543	( )	Chrgr, Batt, 100- 240V 2.5A [Na] (120V)	1
▽	1	1264257	( )	Chrgr, Batt, 100- 240V 9A [Na] (120V)	1
▲	2	1232564	( )	Switch, Chrgr	1
▲▽	3	1232712	( )	Light, Voltage	1
▲▲	4	N/A	( )	Transparent Cover Voltage Display Right	1
▲▲	5	N/A	( )	Voltage Display With Percentage	2
▲▲	6	N/A	( )	Screw M2x5 Cross Head Self Tapping	4
▲▲	7	N/A	( )	Transparent Cover Voltage Display Left	1
▲▽	8	1232713	( )	Receptacle Kit, Chrgr	1
▲▲	9	N/A	( )	Fuse 6.3a	1
▲▲	10	N/A	( )	Fuse 6.3a Base	1
▲▲	11	N/A	( )	Countersunk Screw M3x15	2
▲▲	12	N/A	( )	Recept Inlet 3p + Two Screw Holes Cb 3pin	1
▲▲	13	N/A	( )	Nut M3 Nylon	2
▲	14	1232546	( )	Cord, Power (UI 3 Pin) (Standard)	1
	14	1233924	( )	Cord, Power [UI 3 Pin, 11 Meters Lg] (Optional)	1

### BATTERY CHARGER ASSEMBLY (EUROPE)

	Ref.	Part No.	Serial Number	Description	Qty.
▽	1	1267990	( )	Chrgr, Batt, 100- 240V 2.5A[Eu/Uk]	1
▽	1	1267991	( )	Chrgr, Batt, 100- 240V 9A [Eu/Uk]	1
▲	2	1232564	( )	Switch, Chrgr	1
▲▽	3	1232712	( )	Light, Voltage	1
▲▲	4	N/A	( )	Transparent Cover Voltage Display Right	1
▲▲	5	N/A	( )	Voltage Display With Percentage	2
▲▲	6	N/A	( )	Screw M2x5 Cross Head Self Tapping	4
▲▲	7	N/A	( )	Transparent Cover Voltage Display Left	1
▲▽	8	1232713	( )	Receptacle Kit, Chrgr	1
▲▲	9	N/A	( )	Fuse 6.3a	1
▲▲	10	N/A	( )	Fuse 6.3a Base	1
▲▲	11	N/A	( )	Countersunk Screw M3x15	2
▲▲	12	N/A	( )	Recept Inlet 3p + Two Screw Holes Cb 3pin	1
▲▲	13	N/A	( )	Nut M3 Nylon	2
▲	14	1267989	( )	Cord, Power, Eu, XI & Xxl	1
▲	14	1267988	( )	Cord, Power, Uk, XI & Xxl	1

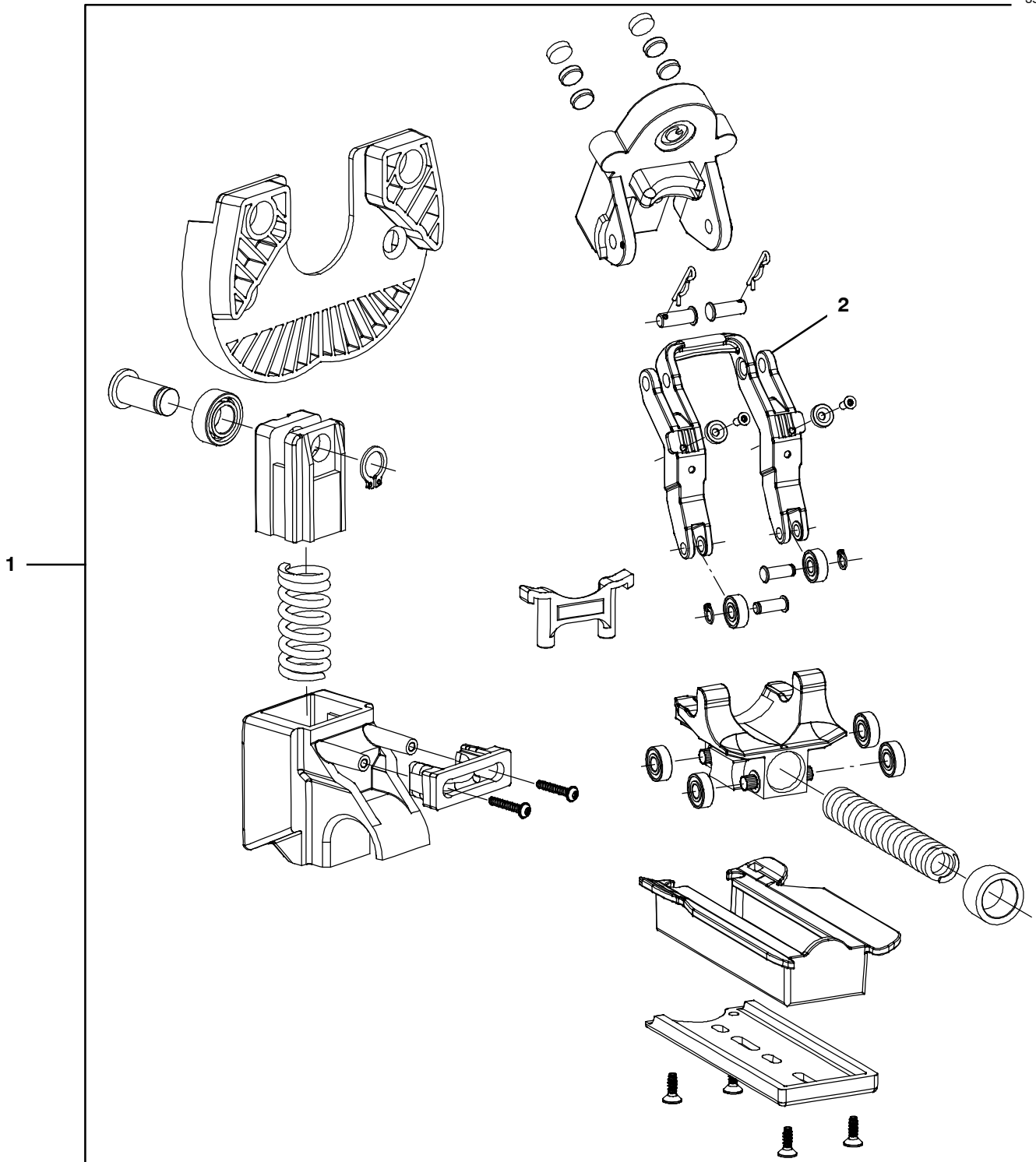
▽ ASSEMBLY

▲ INCLUDED IN ASSEMBLY

N/A = NOT AVAILABLE SEPARATELY - MUST ORDER ASSEMBLY (▽)

I- BALANCE ASSEMBLY

355936



	Ref.	Part No.	Serial Number	Description	Qty.
▽	1	1266782	( )	Bracket Kit [Teal I- Balance Assy I- Mop]	1
▲	2	1267112	( )	Hinge, Fork, Support [I- Mop]	1

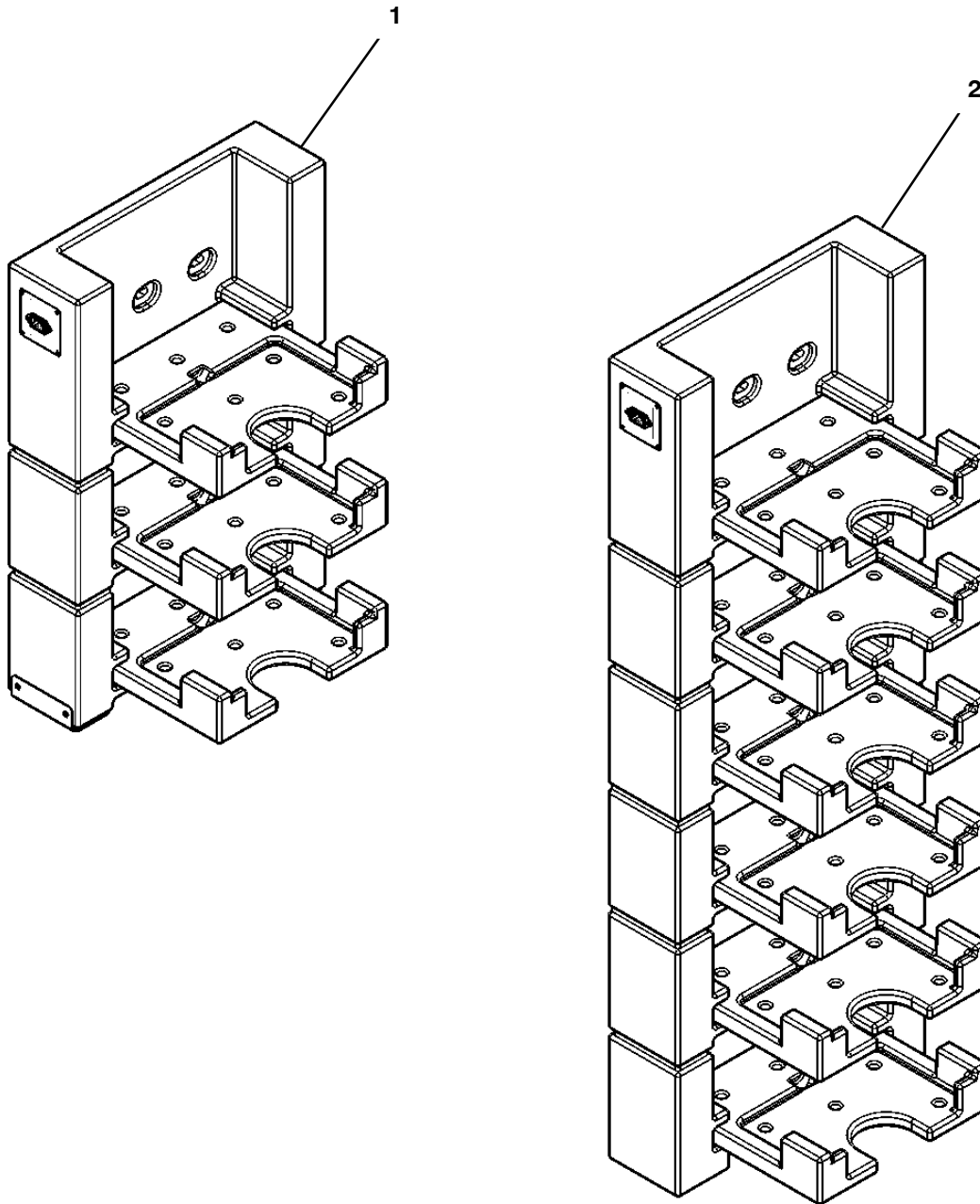
▽ ASSEMBLY

▲ INCLUDED IN ASSEMBLY



WALL CHARGERS (OPTION)

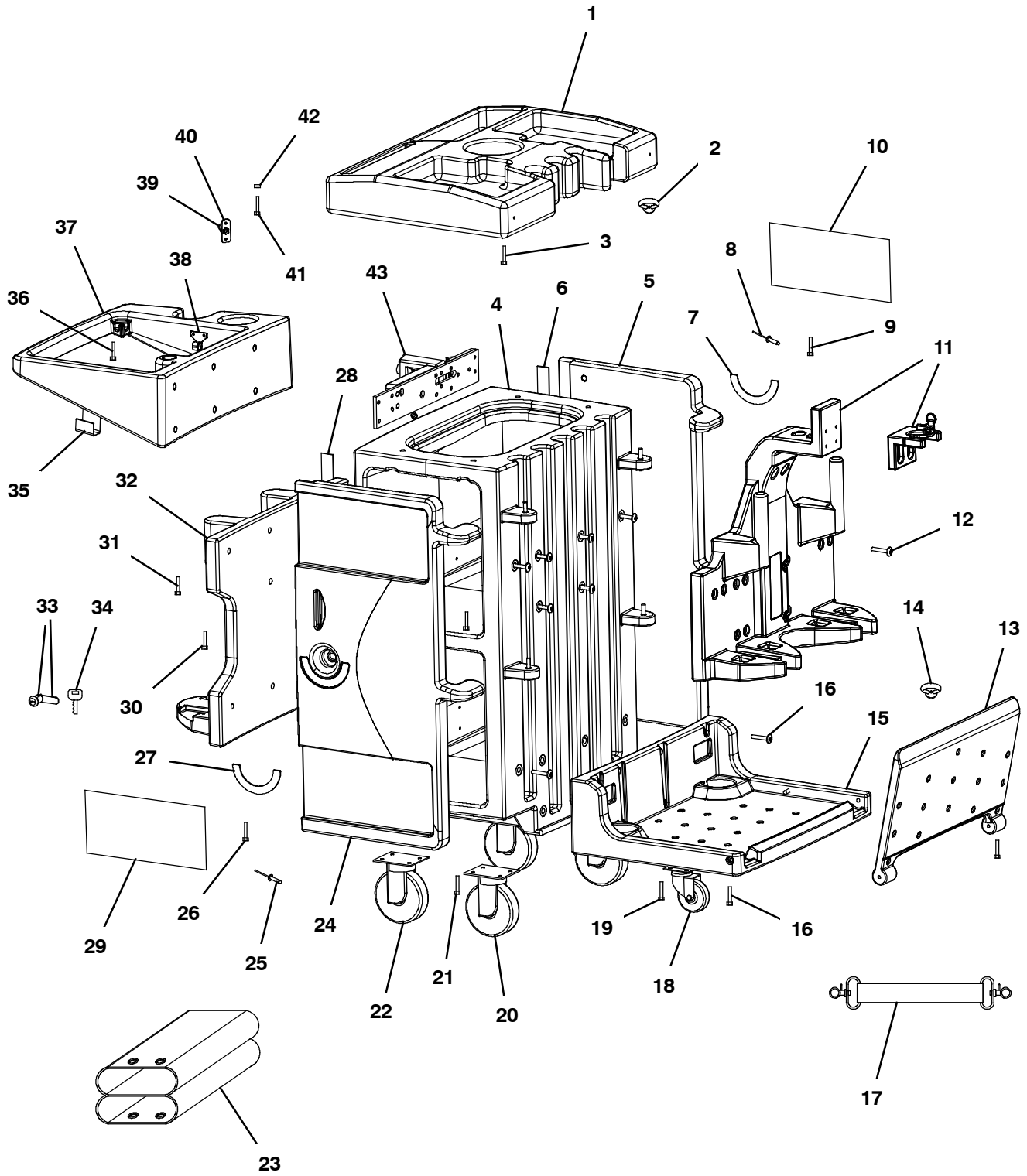
355683



Ref.	Part No.	Serial Number	Description	Qty.
1	1232094	( )	Charger, Wall [I- Mop 3 Layer]	1
2	1232058	( )	Charger, Wall [I- Mop 6 Layer]	1

I-CART TROLLEY ASSEMBLY (OPTION)

355671



I-CART TROLLEY ASSEMBLY (OPTION)

Ref.	Part No.	Serial Number	Description	Qty.
▽	1232057	( )	Mop Cart Kit [I- Mop I- Cart L]	1
▲	1	N/A	Cover, Top, Grey	1
▲	2	N/A	Ring, Screw, I- Trolley	1
▲	3	N/A	Screw,	4
▲	4	N/A	Main Body, I- Cart L	1
▲▽	5	1235553	Door, Cart, Front, Lh (Assembly Does Not Include Lock)	1
▲▲	6	N/A	Seal, Rubber, Door	1
▲▲	7	N/A	Plate, Arc, Door	1
▲▲	8	N/A	Rivet, Blind, 4x15mm	7
▲▲	9	N/A	Screw, M	4
▲▲	10	N/A	Plate, Door	1
▲▽	1235604	( )	Support Kit, Tank, Small, Cart [I- Mop]	1
▲▲	11	N/A	Holder, Tank, Small	1
▲▲	12	N/A	Screw, 5	6
▲▽	1235605	( )	Base Kit, Cart [I- Mop]	1
▲▲	13	N/A	Bridge, I- Trolley	1
▲▲	14	N/A	Ring, Screw, I- Trolley	1
▲▲	15	N/A	Shelf, Flat, I- Trolley	1
▲▲	16	N/A	Screw, 5	8
▲▲	17	1243411	Strap, Ramp [I- Cart]	1
▲▽	1235606	( )	Caster Kit, Cart [I- Mop]	1
▲▲	18	N/A	Caster, 2.5"	1
▲▲	19	N/A	Screw,	4
▲▲	20	N/A	Caster, Front, Fixed	2
▲▲	21	N/A	Screw,	16
▲▲	22	N/A	Caster, Rear, Swivel	2
▲	23	1233957	Bag, Cart [Imop]	1
▲▽	24	1235549	Door, Cart, Front, Rh (Assembly Does Not Include Lock)	1
▲▲	25	N/A	Rivet, Blind, 4x15mm	7
▲▲	26	N/A	Screw, M	4
▲▲	27	N/A	Plate, Arc, Door	1
▲▲	28	N/A	Seal, Rubber, Door	1
▲▲	29	N/A	Plate, Door	1
▲	30	N/A	Magnets, I- Trolley	2
▲	31	N/A	Screw, #10- 24 0.55"	2
▲	32	N/A	Holder, Tank, Large Grey	1
▲▽	33	1233959	Lock, W/Key [Imop] (Includes Qty 2 Locks & Qty 6 Keys)	1
▲▲	34	1239322	Key, Lock, Door [Icart Qty 2]	2
▲▽	1235600	( )	Handle Kit, Cart [I- Mop]	1
▲▲	35	N/A	Hanger, Sign, Safety	1
▲▲	36	N/A	Screw, 5	6
▲▲	37	N/A	Handle, I- Trolley	1
▲	38	N/A	Hook, Bag	2
▲▽	39	1235544	Hook Kit, Cord, Ext [I- Mop]	1
▲▲	40	N/A	Adapter, Holder, Cable	1
▲	41	N/A	Screw, M8 x 27 Hexagon	1
▲	42	N/A	Nut, Nylon M8	1
▲	43	N/A	Socket, Plug, I- Trolley (USA)	1

▽ ASSEMBLY

▲ INCLUDED IN ASSEMBLY

N/A = NOT AVAILABLE SEPARATELY - MUST ORDER ASSEMBLY (▽)

ELECTRICAL DIAGRAM

