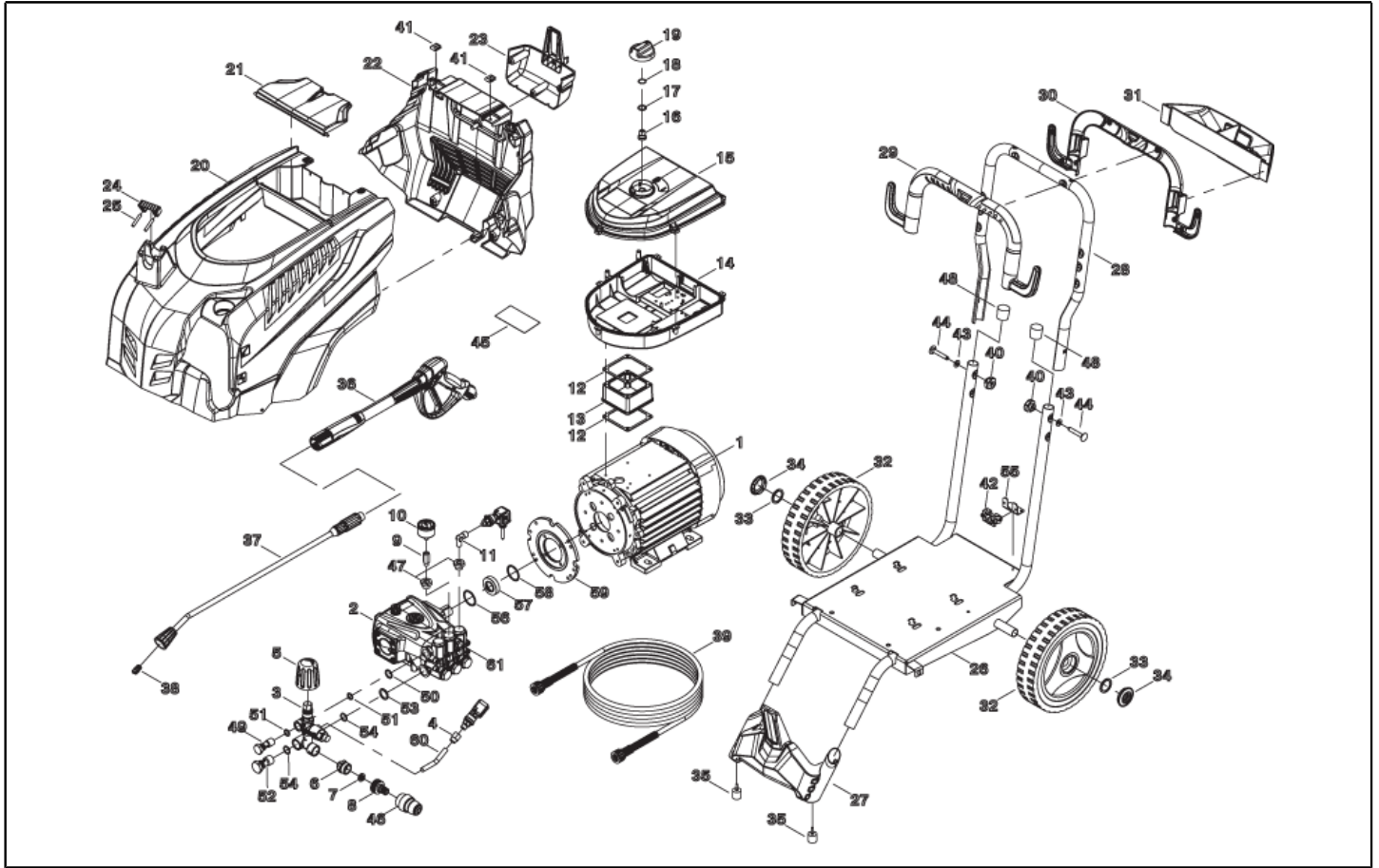
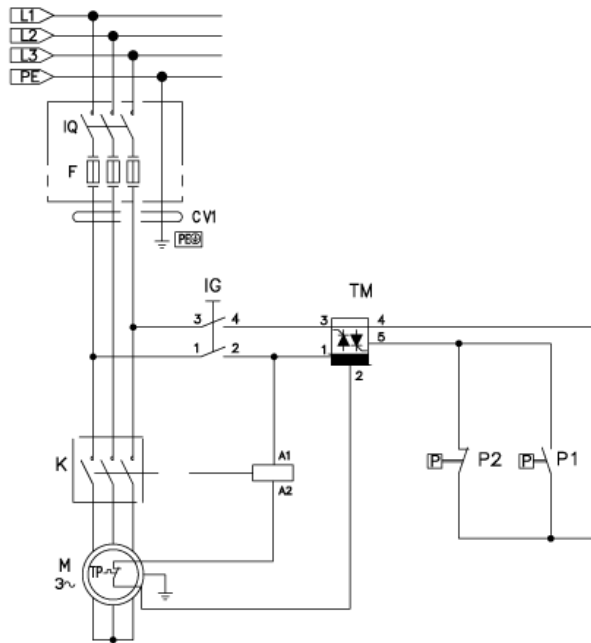


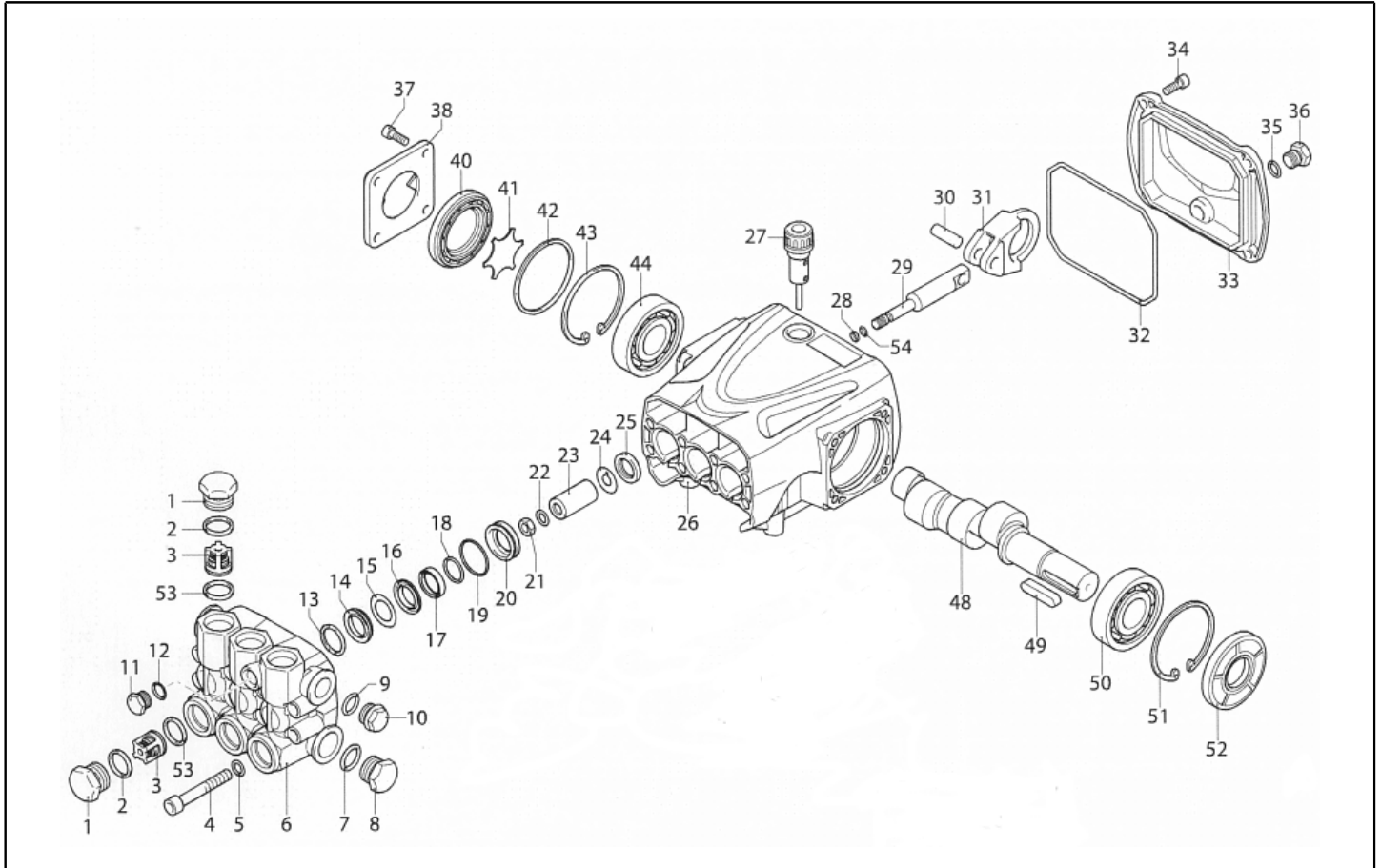
Ref. K	Part N.	Part N. 2	Description	Quantity	Validity		Price
					From	To	
0001	MOTR40030	N/A	3PH MOTOR C50 HP7.5 23-400/50C RR/K	1,00			--
0002	PPAP40086	N/A	PUMP RR 13.20 DX N	1,00			--
0003	VVAZ40078	N/A	VALVE VRF-2 AR-R PPr.S/IN.M22	1,00			--
0004	RCVR45741	N/A	NOZZLE HOLDER 1/4-1/8 F MTM	1,00			--
0005	PVVR40471	N/A	KNOB VRF-2 A.sf.	1,00	01/04/2018		--
0006	RCDS87610	N/A	NIPPLE 3/4 - 1/2 CB D.13.0	1,00			--
0007	FTDT12702	N/A	FILTER PA	1,00			--
0008	RCVR29600	N/A	SOCKET PTC 3/4 F	1,00			--
0009	RCDS40280	N/A	COLUMN M-F 1/8 L=25 MM OT.	1,00			--
0010	MNMN40007	N/A	PRESSURE GAUGE 0-30MPa D.40 1/8	1,00			--
0011	RCDS40176	N/A	ELBOW 1/8" M/F CN. L=24 OT.	1,00			--
0012	GUGO10881	N/A	GASKET M.EL. 73X73	2,00			--
0013	MPVR40926	N/A	SPACER PW-C45 CAME H.26.0 ABS	1,00			--
0014	MPVR40953	N/A	CONTROL BOX PW-C55 7.5Hp/RR ABS BK.	1,00			--
0015	MPVR40908	N/A	BOX COVER PW-C45 ABS BK.	1,00			--
0016	MPVR23482	N/A	SWITCH TANG TEC. TUV	1,00			--
0017	GUGO25527	N/A	O-RING D. 14 X 3 NBR 70SH	1,00			--
0018	VTRS40008	N/A	WASHER D. 3.2X 9 X0.8 NYL	2,00			--
0019	MPVR49057	N/A	BLACK KNOB P176-M.RACE PA6	1,00			--
0020	MPVR40959	N/A	GREEN COVER PW-C55 PPL V.9472	1,00			--
0021	MPVR40906	N/A	DOOR PW-C45 PPL BK.	1,00			--
0022	MPVR40921	N/A	BACK PANEL PW-C55 PP BK.	1,00			--
0023	MPVR40909	N/A	TOOL HOLDER PW-C45 PP BK.	1,00			--
0024	MPVR40485	N/A	RUBBER PW-H35 15-20BK.	1,00			--
0025	MPVR40534	N/A	PIN PW-H35 PP BK.	2,00			--
0026	LAFN40992	N/A	TROLLEY PW-C55	1,00			--
0027	MPVR40905	N/A	FOOT PW-C45 PP BK.	1,00			--
0028	LAFN40991	N/A	HANDLE PW-C45/55 BK.	1,00			--
0029	MPVR40910	N/A	HALF BEARING PW-C45 ANT. PP BK.	1,00			--
0030	MPVR40911	N/A	HALF BEARING PW-C45 PST. PP BK.	1,00			--
0031	MPVR40915	N/A	TOOL HOLDER PW-C45 HAN.PP BK.	1,00			--
0032	RTRT40019	N/A	WHEEL D.250-D.20X 58 RES BK.	2,00			--
0033	VTRS28558	N/A	WASHER D.20	2,00			--
0034	MPVR40782	N/A	HUB CAP D.50 G-48/IPC BK.	2,00			--
0035	MPVR60553	N/A	FOOT GOMMA 20X20 AQ EPDR50	2,00			--
0036	IPPR40025	N/A	GRIP G 6000+P.330 +M22 SW.M 2V	1,00			--
0037	LCPR40087	N/A	EXTENSION P 70 -P20.IX700 M22 M	1,00			--
0038	UGLN49987	N/A	NOZZLE LECH 1/4 15045	1,00			--
0039	TBAP25324	N/A	H.P. HOSE R1 MT 10 5/16" C/2 IRV ZC	1,00			--
0040	VTVR40062	N/A	HANDWHEEL F 8MA THF40 +CAP	2,00		14/07/2018	--
0040	VTVR40066	N/A	HANDWHEEL F 8MA 3R.ZE	2,00	15/07/2018		--
0040	VTDD40019	N/A	NUT M 8 ZC.BK. UNI 5588	2,00	15/07/2018		--
0041	VTVR40064	N/A	PLATE M 5 SP.1.5 BR.	2,00			--
0042	MEVR33994	N/A	CABLE FASTNER 4228 B D. 6- 18	1,00			--



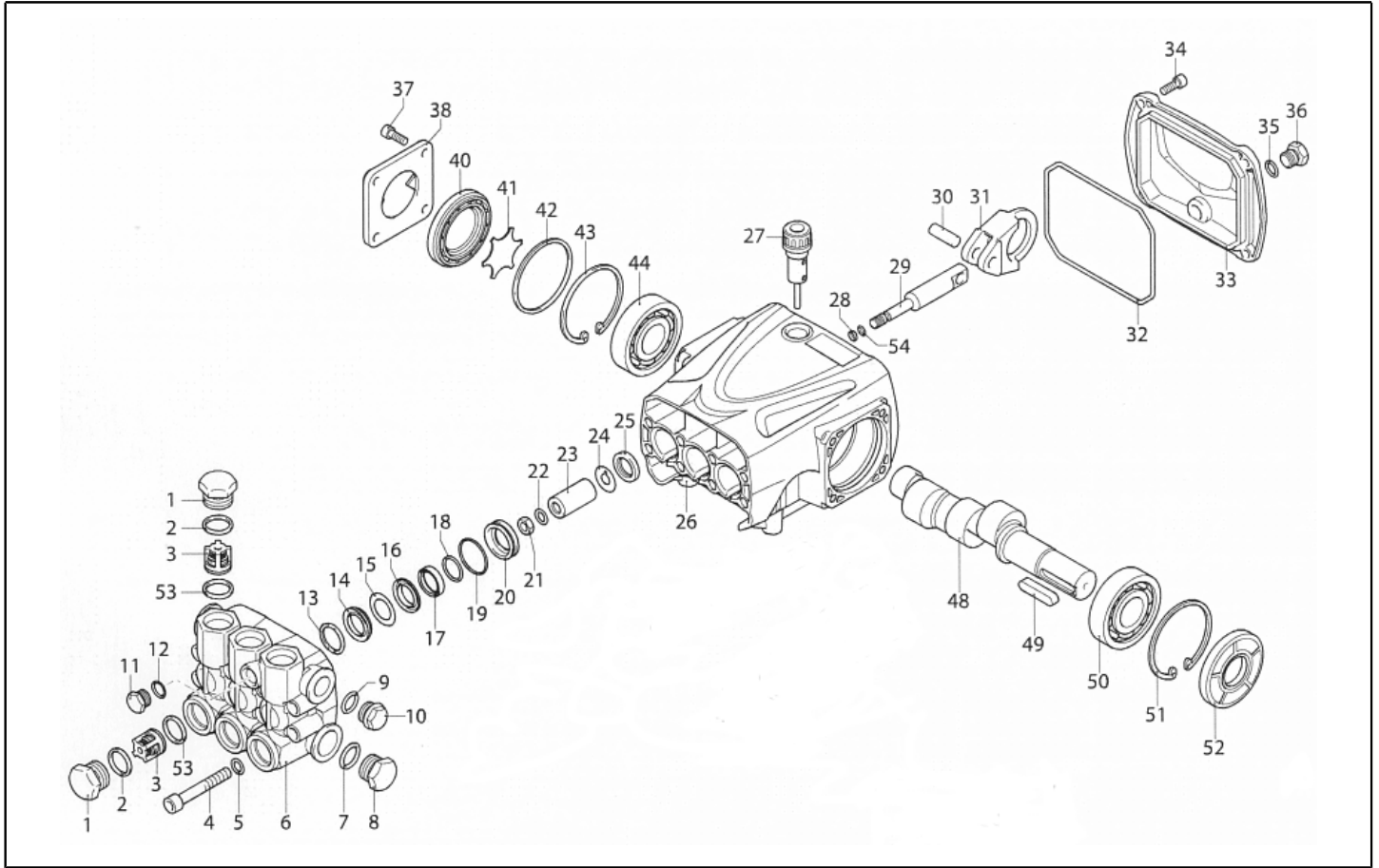
Ref. K	Part N.	Part N. 2	Description	Quantity	Validity		Price
					From	To	
0043	VTRS00504	N/A	WASHER D. 8 ZC. UNI 6592	2,00			--
0044	VTVT40070	N/A	SCREW M 8X 50 TTQST UNI 5731	2,00			--
0046	RCVR29602	N/A	CONNECTOR D. 1/2"-5/8" PTC	1,00			--
0047	PVVR40175	N/A	CAP AR RR C/F. 1/8F+OR	2,00			--
0048	MPVR01696	N/A	PROD D.25 1.02.107	2,00			--
0049	RCDS40172	N/A	SCREW 3/8 VRF-2 OT 4F.	1,00			--
0050	VTRS00548	N/A	WASHER D.17,5X23X1,5 (3/8)RM	1,00			--
0051	GUGO03510	N/A	O-RING D. 12.37 X 2.62 NBR 70SH	2,00			--
0052	RCDS40171	N/A	SCREW G 1/2 VRF-2 OT. 2F.	1,00			--
0053	VTRS00549	N/A	WASHER D.21,5X27X1,5 (1/2) RM	1,00			--
0054	GUGO01048	N/A	O-RING D. 15.88 X 2.62 NBR 70SH	2,00			--
0055	LAFN40838	N/A	BRACKET PW-H100 ZC.	1,00			--
0056	GUGO21337	N/A	O-RING D. 25.07 X 2.62 VIT 70SH	1,00			--
0057	RCDS25578	N/A	BUSHING IP VVW141 OT.	1,00			--
0058	GUGO21339	N/A	O-RING D. 29.82 X 2.62 VIT 70SH	1,00			--
0059	MFVR21309	N/A	COUNTERFLANGE MEC 90-100-112	1,00			--
0060	RCDS40281	N/A	CONNECTOR L=120 2X1/8M CN. IX.	1,00			--
0061	RCVR09058	N/A	CAP 1/4 M EI D. 8 NK.	1,00			--



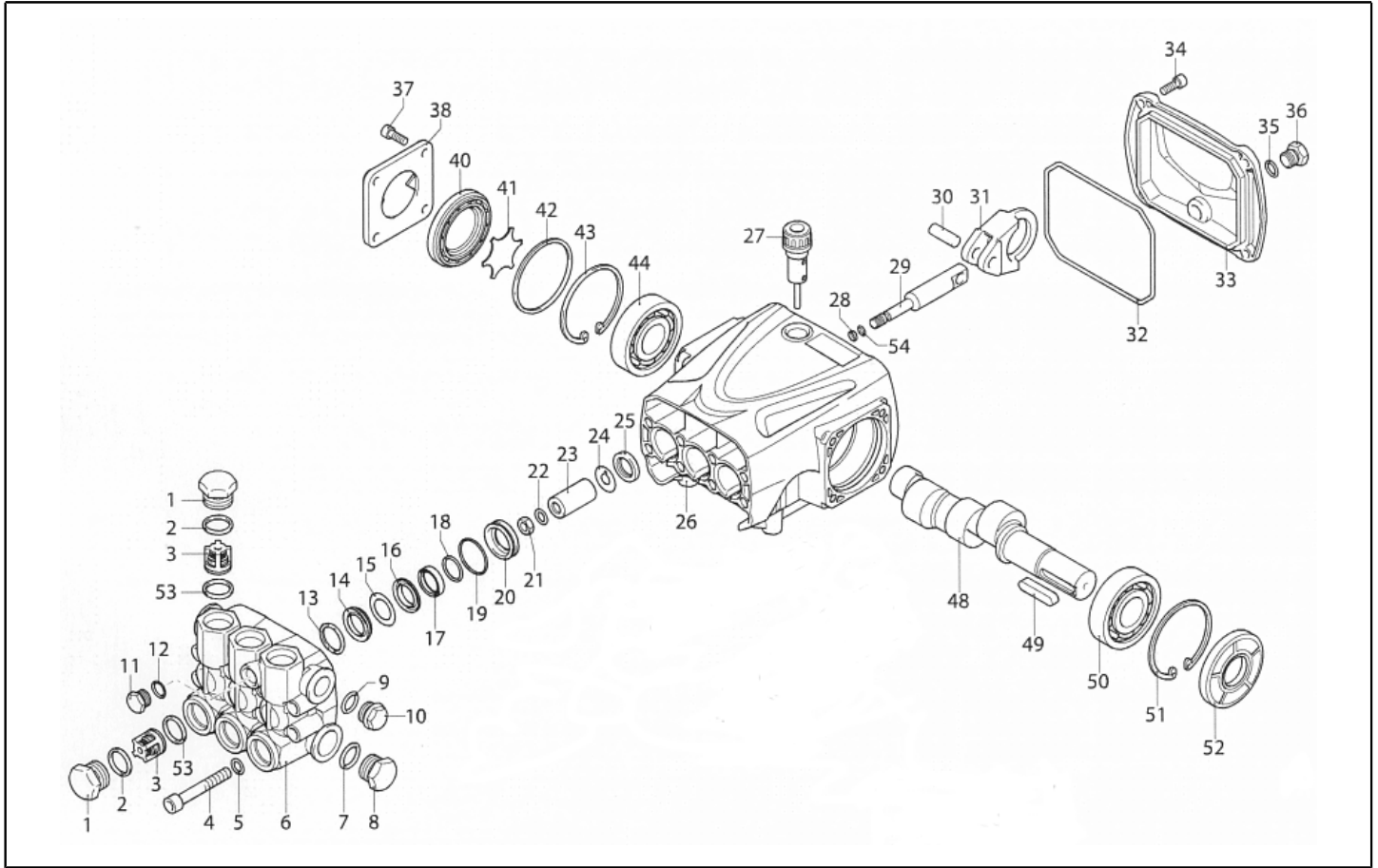
Ref. K	Part N.	Part N. 2	Description	Quantity	Validity		Price
					From	To	
K	METT40013	N/A	CONTACTOR SIE 3RT 2017-1AV01 400V	1,00			--
IG	MECI40020	N/A	SWITCH BRM BP. 0-1 12A	1,00			--
P1	MEPF39741	N/A	PRESSURE SWITCH MTM 1/8M NA/NC 25B. MICRO	1,00			--
P2	MEPF39902	N/A	PRESSURE SWITCH MTM 1/4M NA/NC 25B. MICRO	1,00			--
TM	METY40023	N/A	TIMER THV/1Eco. 400-5/60 30S.	1,00			--
CV1	MECB40405	N/A	CABLE N.570 H07RNF 4X2.5 L.6.10	1,00	15/07/2018		--
CV1	MEVR01893	N/A	PLUG WMX 16A 3P+T 380 V T.2130	1,00			--
CV1	MEVR01891	N/A		1,00			--



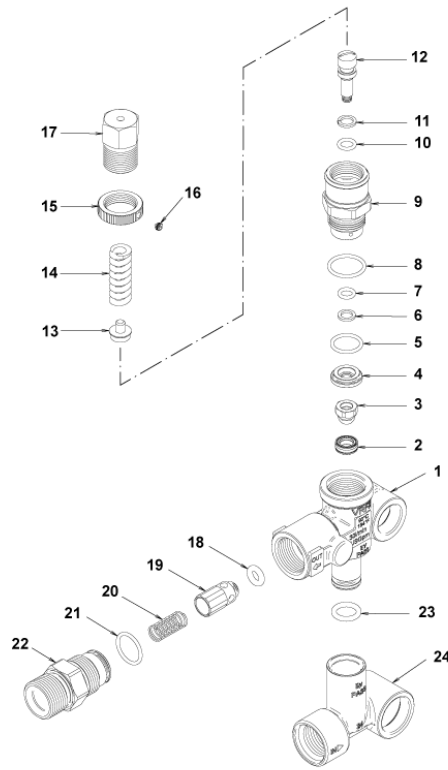
Ref. K	Part N.	Part N. 2	Description	Quantity	Validity		Price
					From	To	
0001	PVVR40161	N/A	CAP AR RR	6,00			--
0002	GUGO03502	N/A	O-RING D. 17.86 X 2.62 NBR 70SH	6,00			--
0003	S VVAM40003	N/A	VALVE UNIT RR	6,00			--
0004	VTVT63018	N/A	SCREW TCEI M 8X55 ZC U.5931	8,00			--
0005	VTRS14242	N/A	WASHER D. 8.4X13X0.8 UNI7064 SCH	8,00			--
0006	MFVR40028	N/A	HEAD AR RR OT.	1,00			--
0007	GUGO19245	N/A	O-RING D. 17.5 X 2 NBR 70SH	1,00			--
0008	PVVR40121	N/A	CAP 1/2 M RC	1,00			--
0009	GUGO09720	N/A	O-RING D. 14 X 1.78 NBR 70SH	1,00			--
0010	PVVR40099	N/A	CAP 3/8 M HRM	1,00			--
0011	PVVR40129	N/A	CAP 1/4 M RC	1,00			--
0012	GUGO01036	N/A	O-RING D. 10.82 X 1.78 NBR 70SH	1,00			--
0013	S PVVR40122	N/A	HEAD RING D. 18 RC	3,00			--
0014	S GUVR40035	N/A	PACKING D. 18 RC H.P.	3,00			--
0015	S GUVR40043	N/A	ANTI-EXTR.RING D.18X28	3,00			--
0016	S PVVR40162	N/A	INTERMED. RING D. 18 RR	3,00			--
0017	S GUVR40036	N/A	PACKING D. 18 RC L.P.	3,00			--
0018	S GUVR40037	N/A	ANTI-EXTR.RING D.21	3,00			--
0019	S GUGO19290	N/A	O-RING D. 23.52 X 1.78 NBR 70SH	3,00			--
0020	S PVVR40163	N/A	PACKING RETAIN. D. 18 RR	3,00			--
0021	VTDD00483	N/A	NUT M 8 ZIN UNI 5588	3,00			--
0022	VTRS19394	N/A	WASHER D. 8X13X0.5	3,00			--
0023	S PIVR40007	N/A	PISTON D.18 RR	3,00			--
0024	PVVR19233	N/A	DISC XTS	3,00			--
0025	S GUGO09690	N/A	OIL SEAL 15X 24X 5 NBR70	3,00			--
0026	MFVR40030	N/A	PUMP CRANKCASE AR RR	1,00			--
0027	PVVR19231	N/A	OIL CAP XTS	1,00			--
0028	GUGO08071	N/A	O-RING D. 4.48 X 1.78 NBR 70SH	3,00			--
0029	PVVR40176	N/A	PISTON GUIDE RR	3,00			--
0030	PVVR40178	N/A	GUDGEON D. 9 RR	3,00			--
0031	BLVR40002	N/A	CONNECTING ROD RR	3,00			--
0032	GUGO40017	N/A	O-RING D. 107.62 X 2.62 NBR 70SH	1,00			--
0033	MFVR40029	N/A	CRANKASE COVER AR RR	1,00			--
0034	VTVT09913	N/A	SCREW TCEI 6X16 UNI5931	4,00			--
0035	GUGO01036	N/A	O-RING D. 10.82 X 1.78 NBR 70SH	1,00			--
0036	PVVR40129	N/A	CAP 1/4 M RC	1,00			--
0037	VTVT09913	N/A	SCREW TCEI 6X16 UNI5931	4,00			--
0038	MFVR40021	N/A	CRANKASE COVER AR RC LT.	1,00			--
0040	PVVR40179	N/A	OIL INDICATOR RR	1,00			--
0041	PVVR40125	N/A	DISC RC	1,00			--
0042	GUGO09030	N/A	O-RING 56X82 X2.62 - NBR	1,00			--
0043	VTAE10405	N/A	CIRCLIP D. 62 UNI 7437	1,00			--
0044	CUVR09654	N/A	BALL BEARING 6305	1,00			--
0048	ALMO40034	N/A	SHAFT AR RR 13LT VRS. N	1,00			--



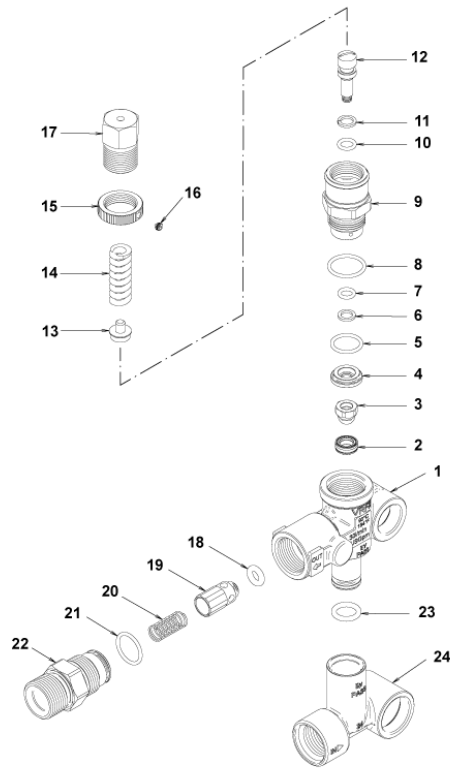
Ref. K	Part N.	Part N. 2	Description	Quantity	Validity		Price
					From	To	
0049	VTVR41531	N/A	KEY 8X 7X35 UNI 6604A	1,00			--
0050	CUVR09654	N/A	BALL BEARING 6305	1,00			--
0051	VTAE10405	N/A	CIRCLIP D. 62 UNI 7437	1,00			--
0052	S GUGO40018	N/A	OIL SEAL 25X 62X 8 NBR70	1,00			--
0053	S GUGO02259	N/A	O-RING D. 15.54 X 2.62 NBR 70SH	6,00			--
0054	GUVR40044	N/A	ANTI-EXTR.RING D. 5 X 8 X1	3,00			--



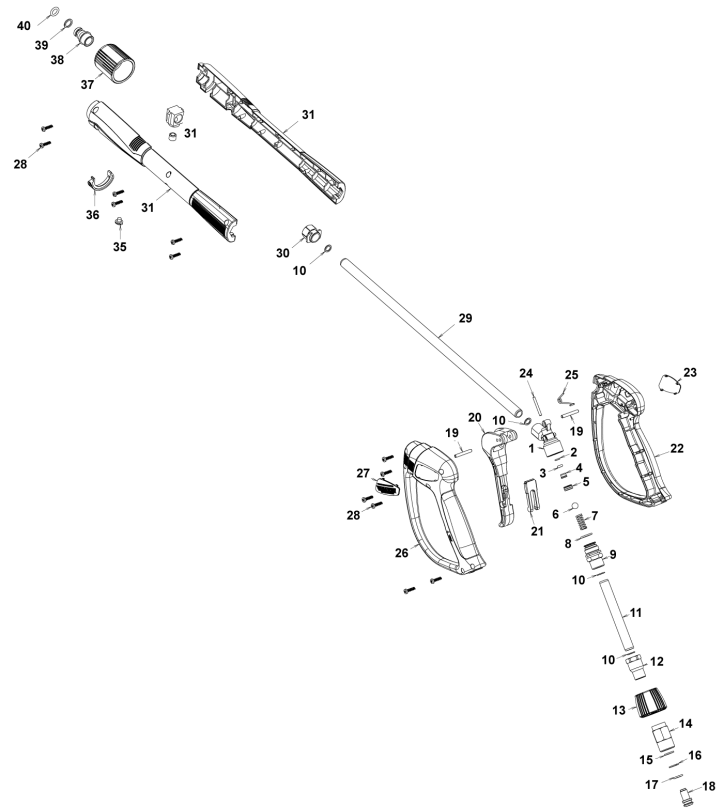
Ref. Part N.	Cust. Part N.	Description	Reference	Price
KTRI40095		KIT P 15-42903 D.18 RC	0013	--
KTRI40142		KIT P 15-42909 RR	0003 0053	--
KTRI40143		KIT P 15-42904 D.18 RR	0023	--
KTRI40144		KIT P 15-42922 RR	0025 0052	--
KTRI40145		KIT P 15-42924 D.18 RR	0014 0015 0017 0018 0019	--
KTRI40146		KIT P 15-42923 D.18 RR	0016 0020	--



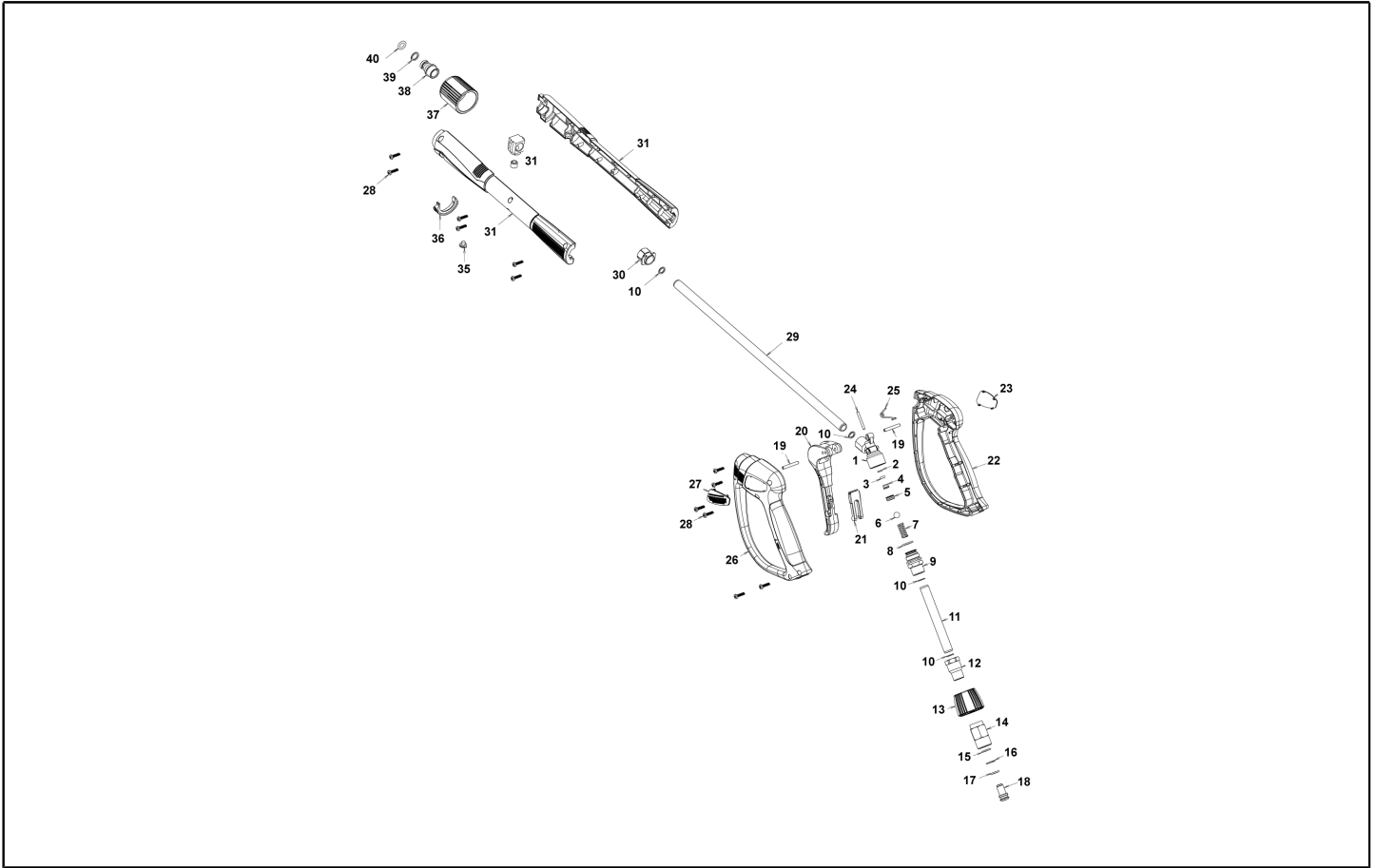
Ref. K	Part N.	Part N. 2	Description	Quantity	Validity		Price
					From	To	
0001	PVVR40375	N/A	VALVE BODY VRF2 +G1/8 F	1,00			--
0002	S PVVR40363	N/A	VALVE SEAT MV124 +OR	1,00			--
0003	S PVVR40364	N/A	COUPLING MV124	1,00			--
0004	S PVVR40365	N/A	SPACER MV124	1,00			--
0005	S GUGO12322	N/A	O-RING D. 14 X 1.78 NBR 90SH	1,00			--
0006	S GUVR40072	N/A	ANTI-EXTR.RING D. 6.5X 9.4	1,00			--
0007	S GUGO83861	N/A	O-RING D. 6.07 X 1.78 NBR 90SH	1,00			--
0008	S GUGO24913	N/A	O-RING D. 17.17 X 1.78 NBR 90SH	1,00			--
0009	S PVVR40366	N/A	CONNECTOR VRF2 D.10	1,00			--
0010	S GUGO03500	N/A	O-RING D. 6.75 X 1.78 NBR 70SH	1,00			--
0011	S GUVR40073	N/A	ANTI-EXTR.RING D. 7.1X10 X1.2 TBT	1,00			--
0012	S PVVR40367	N/A	SMALL PISTON D.10 VRF2	1,00			--
0013	PVVR40368	N/A	SPRING PLATE MV124 25B	1,00			--
0014	MLML40027	N/A	SPRING D. 3.0/6.0 X38.85	1,00			--
0015	PVVR40369	N/A	RING NUT MV167.09	1,00			--
0016	VTVT89696	N/A	SCREW EI-ST 4X 4 UNI5927 ZC	1,00			--
0017	PVVR40370	N/A	CAP VRF2 M18X1	1,00			--
0018	S GUGO46053	N/A	O-RING D. 6 X 3 NBR 90SH	1,00			--
0019	S PVVR40349	N/A	COUPLING VRT3	1,00			--
0020	S MLML40026	N/A	SPRING VRT3	1,00			--
0021	S GUGO12321	N/A	O-RING D. 15.6 X 1.78 NBR 90SH	1,00			--
0022	PVVR40374	N/A	CONNECTOR VRT3 M22 M	1,00			--
0023	GUGO11225	N/A	O-RING D. 10.78 X 2.62 NBR 70SH	1,00			--
0024	PVVR40373	N/A	CONNECTOR VRF2.24	1,00			--



Ref. Part N.	Cust. Part N.	Description	Reference	Price
KTRI40236		KIT P 14-103 VRF2	0002 0003 0004 0005 0006 0007 0008 0009 0010 0011 0012 0018 0019 0020 0021	--
KTRI40237		KIT P 14-104 SEAL VRF2	0002 0003 0005 0006 0007 0008 0010 0011 0018 0021	--



Ref. K	Part N.	Part N. 2	Description	Quantity	Validity		Price
					From	To	
0001	PVVR40381	N/A	GUN BODY G 5100 G1/4F	1,00			--
0002	S GUVR40074	N/A	ANTI-EXTR.RING D. 3 X 7.4X1.3	1,00			--
0003	S GUGO21835	N/A	O-RING D. 2.84 X 2.62 VIT. 80SH	1,00			--
0004	PVVR40382	N/A	PISTON GUIDE G 5100	1,00			--
0005	S PVVR40563	N/A	BALL SEAT AL36 G6000 + OR	1,00			--
0006	S SFVR40004	N/A	BALL D. 5/16" ALL.GR16	1,00			--
0007	MLML40047	N/A	SPRING D. 9.4 x23.5x1.6 G6000	1,00			--
0008	GUGO12322	N/A	O-RING D. 14 X 1.78 NBR 90SH	1,00			--
0009	PVVR40383	N/A	CONNECTOR COLL.G5100 1/4F	1,00			--
0010	VTRS40017	N/A	WASHER D. 8,2X11,4X1,00	4,00			--
0011	PVVR40384	N/A	TUBE G 1/4" L.105	1,00			--
0012	RCIN40022	N/A	CONNECTOR SWIV G5100 1/4F	1,00			--
0013	MPVR40967	N/A	RING NUT G 6000 SW. GR.	1,00			--
0014	RCIN40021	N/A	JOINT SWIV 5100 M22	1,00			--
0015	S GUVR40075	N/A	ANTI-EXTR.RING D. 10 X14X1.5	1,00			--
0016	S GUVR40076	N/A	ANTI-EXTR.RING D. 11.2X14X1.2	1,00			--
0017	S GUGO15295	N/A	O-RING D. 10.82 X 1.78 VIT 75SH	1,00			--
0018	PVVR40386	N/A	SCREW SW. G 5100	1,00			--
0019	VTVR40047	N/A	PLUG D. 4X29	2,00			--
0020	MPVR40820	N/A	TRIGGER G 6000-SW	1,00			--
0021	MPVR40821	N/A	SAFETY-DEVICE G 6000-SW	1,00			--
0022	MPVR40822	N/A	SHELL G 6000-SW DX	1,00			--
0023	MPVR40968	N/A	PLATE G 6000/2 GR.DX	1,00			--
0024	PVVR40564	N/A	SMALL PISTON G 6000 AL36 SP.	1,00			--
0025	MLML40029	N/A	SPRING G 5100	1,00			--
0026	MPVR40824	N/A	SHELL G 6000-SW SX	1,00			--
0027	MPVR40825	N/A	PLATE G 6000 GR.SX	1,00			--
0028	VTVT40043	N/A	SCREW AF 4X 14 HILO ZN.N	12,00			--
0029	LCPR40086	N/A	TUBE 1/4 L=420 ZC. 0°	1,00			--
0030	MPVR40493	N/A	CONNECTOR G 5100-SW	1,00			--
0031	MPVR40494	N/A	PROTECTION P 420 C/AN.	1,00			--
0035	MPVR40198	N/A	CAP G 5000	1,00			--
0036	MPVR40495	N/A	CAP G 5100 REM.	1,00			--
0037	PVVR40119	N/A	CONNECTION M22X1,5 IRV G5000	1,00			--
0038	RCIN40009	N/A	GUDGEON G 1/4 F IRV G5000	1,00			--
0039	GUVR40034	N/A	ANTI-EXTR.RING D. 10 X14	1,00			--
0040	GUGO01946	N/A	O-RING D. 9.13 X 2.62 VIT 70SH	1,00			--



Ref. Part N.	Cust. Part N.	Description	Reference	Price
KTRI40243		KIT P 26- 26 SWIVEL G 5100	0015 0016 0017	--
KTRI40513		KIT P 26- 36 G 6000/II	0002 0003 0005 0006	--