

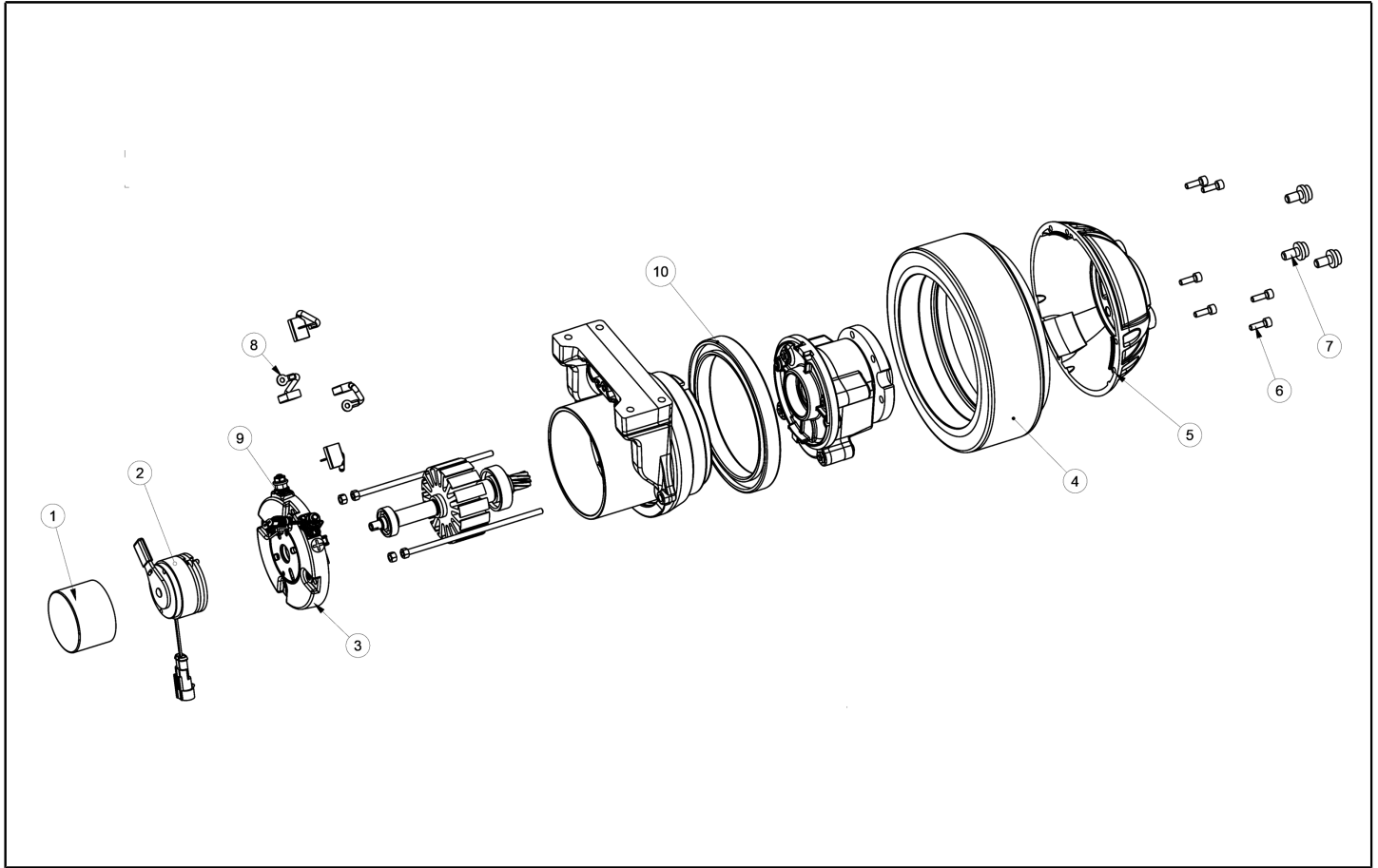


## **Spare Parts List**

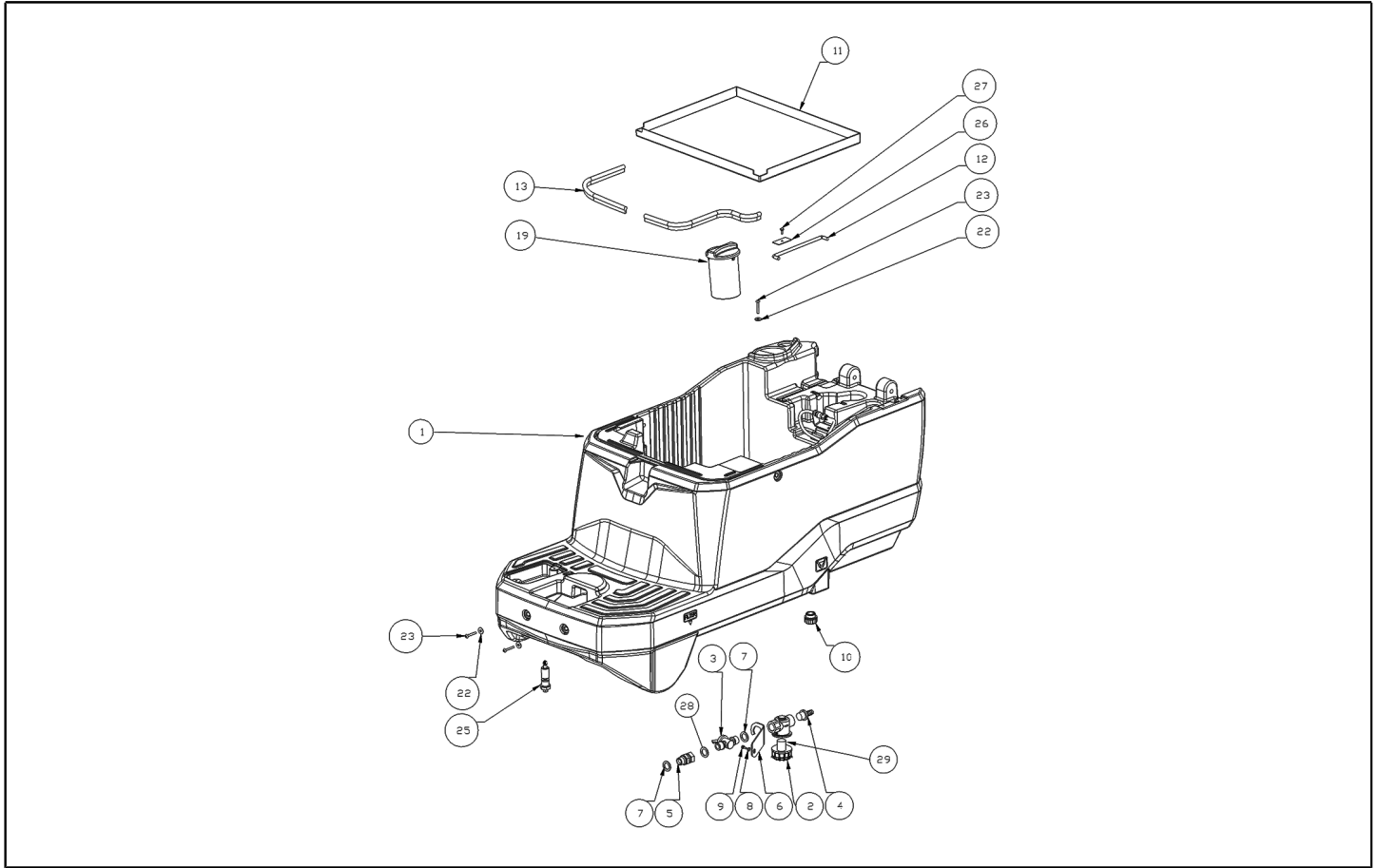
IP Cleaning Srl - Gansow

Ref: LPTB03288

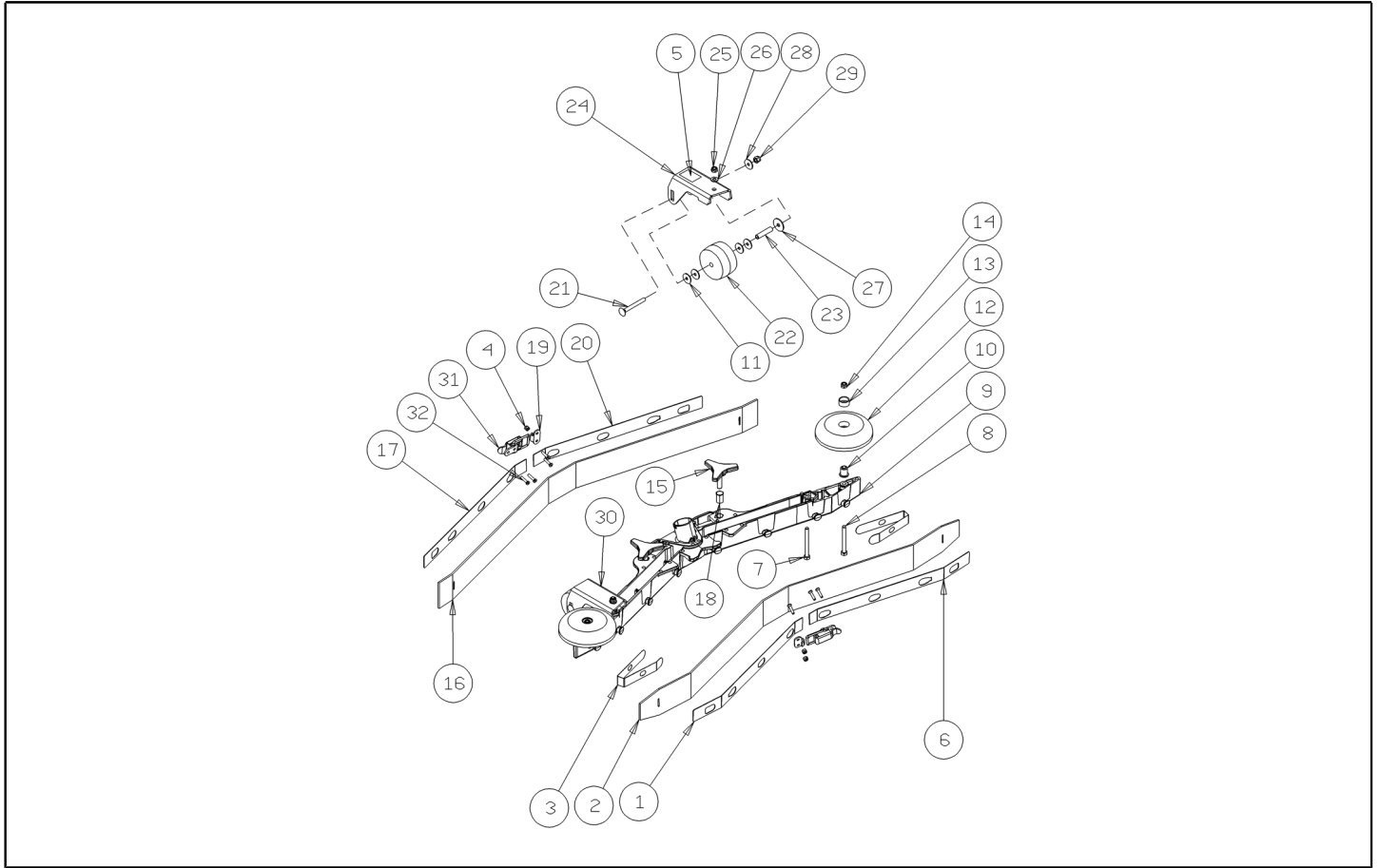
Model: FLOOR WASHER T581 SG/MY/TWN/BD/GU/KR



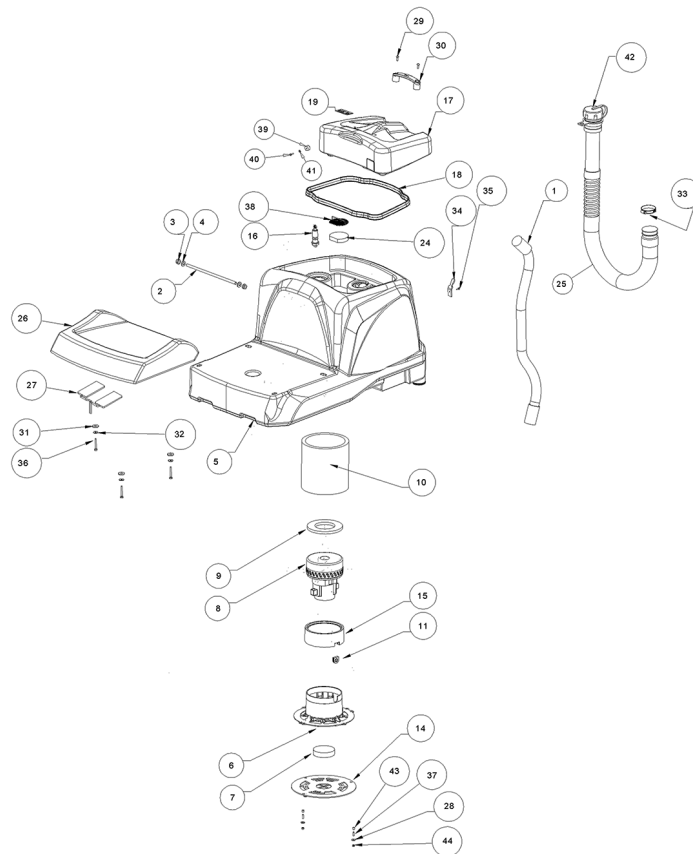
Ref. K	Part N.	Part N. 2	Description	Quantity	Validity		Price
					From	To	
0001	MPVR06463	897365	COVER, BRAKE ASSY	1,00			--
0002	MEVR01757	9017808	BRAKE ASSY, W/LEVER, COMPLT	1,00			--
0003	KTRI02294	897366	RING, BRUSHHOLDER	1,00			--
0004	RTRT00552	9017800	TIRE, SOLID, PYU	1,00			--
0005	MPVR06464	897367	COVER, ALM	1,00			--
0006	VTVT01552	N/A	SCREW .	6,00			--
0007	VTVT01551	N/A	SCREW .	3,00			--
0008	MEVR34441	9017784	VR, BRUSH, MOTOR, TRANSAXLE	4,00			--
0009	MEVR02387	897368	SENSOR, THERMAL	1,00			--
0010	CUVR00220	897369	BEARING, TRACTION, MOTOR	1,00			--



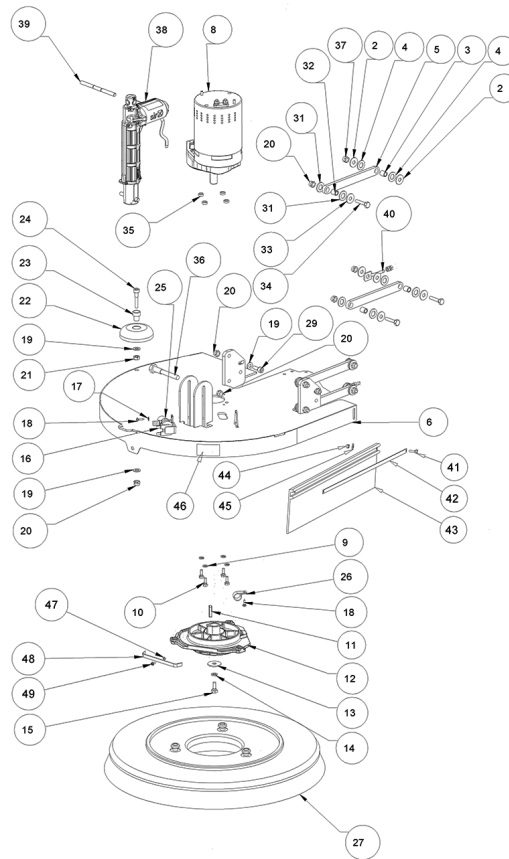
Ref. K	Part N.	Part N. 2	Description	Quantity	Validity		Price
					From	To	
0001	MPVR11871	897454	TANK, SOLTN [2180SR]	1,00			--
0002	FTAC00045	9017787	SCREEN, SOLTN	1,00			--
0003	RCGR00078	9018454	WATER, VALVE, SOLTN	1,00			--
0004	RCVR00514	897455	CONNECTOR 1/2 M RESCA 15	1,00			--
0005	RCVR00594	897456	CONNECTOR 1/2" M/F	1,00			--
0006	LAFN09393	897457	BRACKET, WATER, FTLR	1,00			--
0007	VTRS00567	897458	WASHER 1/2	2,00			--
0008	VTRS13750	897384	WASHER D. 5X14 INX	1,00			--
0009	VTVT01300	897459	SCREW, M5X12, TE, INOX	1,00			--
0010	MPVR10773	9017802	CAP KIT, DRAIN PLUG W/GASKET	1,00			--
0011	MPVR07131	897460	TRAY, BATTERY, D.490X394X30	1,00			--
0012	LAFN09401	897461	ROD, SPPT, TANK	1,00			--
0013	GUVR00288	897462	SEAL, SOLTN, TANK	0,80			--
0019	MPVR11497	897463	CAP, SOLTN, TANK	1,00			--
0022	VTRS13946	897120	WASHER, D.8X24, UNI6593, INOX	2,00			--
0023	VTVT00410	897243	SCREW TE M8x35 UNI5739 INOX	2,00			--
0025	MECI00533	9017790	SENSOR, LEVEL, LIQ	1,00			--
0026	LAFN09408	897464	BRACKET, ROD	1,00			--
0027	VTVT01300	897459	SCREW, M5X12, TE, INOX	1,00		15/05/2018	--
0027	VTVT01317	897658	SCREW, M5X12, TSPEI, UNI5933	1,00	16/05/2018		--
0028	GUGO01054	897465	SEAL, ORG, 15,08D X 2,62 TH	1,00			--
0029	LAFN11037	897466	SCREEN, FILTER	1,00			--



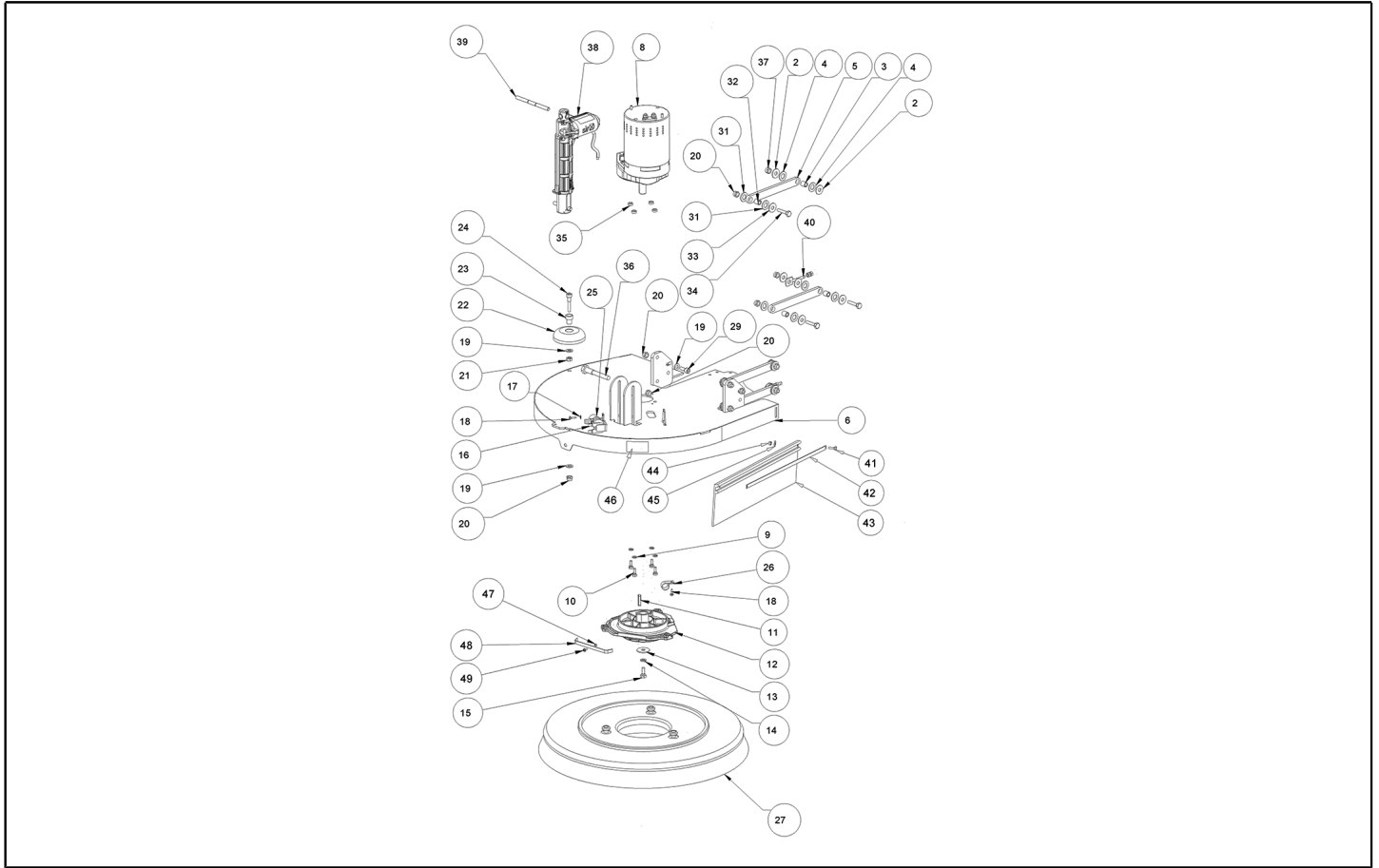
Ref. K	Part N.	Part N. 2	Description	Quantity	Validity		Price
					From	To	
0001	LAFN09275	897418	STRAP, SQGE, XS, FRONT, RH	1,00			--
0002	MPVR06539	9017759	BLADE, SQGE, FRONT, 815L, LINATEX	1,00			--
0003	MPVR05897	897116	CLOSURE S	2,00			--
0004	VTDD00210	9018496	NUT M 3 AUTOBL.DIN 985 IX.A2	8,00			--
0005	ETET01817	897419	LABEL	2,00			--
0006	LAFN09276	897420	STRAP, SQGE, XS, FRONT, LH	1,00			--
0007	VTVT17342	897421	SCREW TE M6X60 UNI5739 INOX	2,00			--
0008	VTVT00655	897422	SCREW, TE, M.6X55	2,00			--
0009	MFVR00143	897423	FRAME, SQGE, XS	1,00			--
0010	LAFN04100	897103	SPACER, 6.00b 12.00d 16.5l, CPR	2,00			--
0011	VTRS00274	897157	WASHER NYLON 66 D. 84X17X2	4,00			--
0012	MPVR06105	897376	WHEEL, BPMR, 80D X 22W	2,00			--
0013	MPVR49229	897100	SLEEVE, NYLON, 0,314b 0,72d 0,35l	2,00			--
0014	VTDD01694	897138	NUT M6 INOX	2,00			--
0015	MPVR10569	9018577	KNOB, SQGE, 3EAR	2,00			--
0016	MPVR06540	9017760	BLADE, SQGE, REAR, 815L, LINATEX	1,00			--
0017	LAFN09277	897424	STRAP, SQGE, XS, REAR, RH	1,00			--
0018	VTVR00567	9018578	BUSHING, INSERT, SQGE	2,00			--
0019	LAFN09301	9018495	HOOK, STRAP, SQGE	2,00			--
0020	LAFN09278	897425	STRAP, SQGE, XS, REAR, LH	1,00			--
0021	VTVT01206	897426	SCREW, M6X55	2,00			--
0022	RTRT00398	9018501	WHEEL, 59,2D 22W 8,4B, GRAY	2,00			--
0023	LAFN07589	897427	SPACER, RND, 6B 8D 34,5L	2,00			--
0024	LAFN09217	897428	BRACKET, WHEEL, SQGE, LH	1,00			--
0025	VTDD01694	897138	NUT M6 INOX	2,00			--
0026	VTRS00245	897106	WASHER D.6 UNI 6592 INOX	2,00			--
0027	VTRS16937	897305	WASHER, M6X24, UNI6593, INOX	2,00			--
0028	VTRS13945	897112	WASHER D. 6X18 INX UNI 6593	2,00			--
0029	VTDD15518	897125	NUT, M6, INOX	2,00			--
0030	LAFN09216	897429	BRACKET, WHEEL, SQGE, RH	1,00			--
0031	LAFN09302	9018492	LATCH, STRAP, SQGE	2,00			--
0032	VTVT01070	9018497	BOLT, STRAP, SQGE	8,00			--



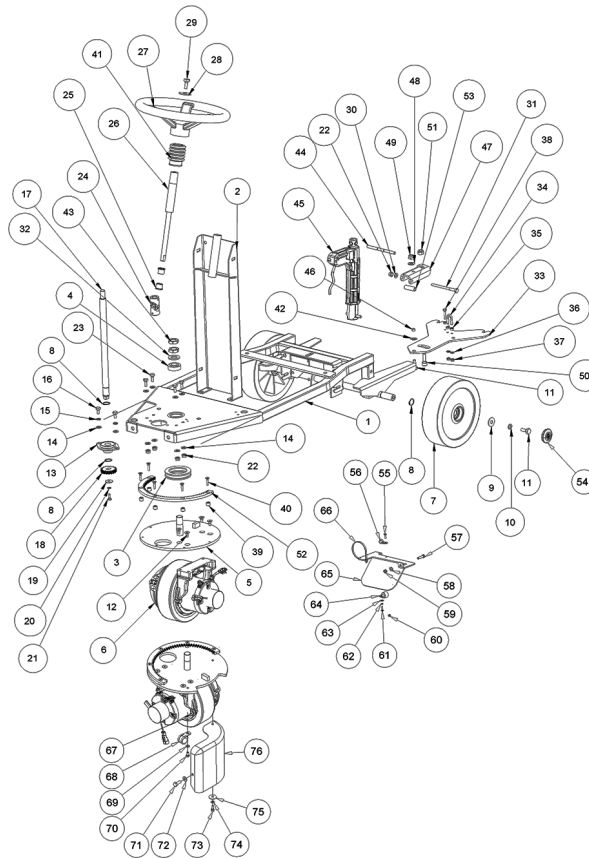
Ref. K	Part N.	Part N. 2	Description	Quantity	Validity		Price
					From	To	
0001	KTRI04702	9017786	HOSE ASSY, RECVY	1,00			--
0002	LAFN09389	897430	PIN, 10D X 275L	1,00			--
0003	VTDD10310	897431	NUT AUTOBL.M10 INOX DIN 985	2,00			--
0004	VTRS15523	897432	WASHER, D. 10X21, UNI6592, INOX	2,00			--
0005	MPVR12901	N/A	TANK RECOVERY PT80 BLUE	1,00			--
0006	MPVR10561	897434	BRACKET, HSGN, FAN	1,00			--
0007	FTAC00072	897435	FILTER, FAN	1,00		03/07/2018	--
0008	MOCC00349	9017716	FAN, VACUUM	1,00	04/07/2018		--
0008	MOCC00417	897436	FAN, VACUUM, 24VDC, 2 STAGE	1,00		03/07/2018	--
0009	GUGO00497	9018401	GASKET, MOTOR, VACUUM	1,00			--
0010	ITSO00105	897437	INSULATION, FAN	1,00			--
0011	GUGO00496	897438	FAIRLEAD, 13,5D	1,00			--
0014	LAFN11070	897439	COVER, FAN	1,00			--
0015	GUGO00466	897440	GASKET, RBR, FAN	1,00			--
0016	MECI00533	9017790	SENSOR, LEVEL, LIQ	1,00			--
0017	MPVR06425	897441	COVER, TANK, RECVY [2180]	1,00			--
0018	GUGO00600	897657	GASKET TANK LID	1,00			--
0019	ETET01824	897443	LABEL [FILTER]	1,00			--
0024	FTDP00232	9017785	FILTER, MOTOR, VACFAN	1,00			--
0025	TBBP00513	9017793	HOSE ASSY, DRAIN	1,00			--
0026	SESD00021	897444	SEAT [2180SR]	1,00			--
0027	MEVR00148	897445	SWITCH, SENSOR, SEAT	1,00			--
0028	VTRS13750	897384	WASHER D. 5X14 INX	3,00			--
0029	VTVT00787	897446	SCREW TBEI M 6-16	2,00			--
0030	MPVR06448	897447	ANDLE, COVER	1,00			--
0031	MPVR35582	897315	RUBBER LAV.	4,00			--
0032	VTRS13945	897112	WASHER D. 6X18 INX UNI 6593	4,00			--
0033	FSVR00033	897448	CLAMP, HOSE, WORMDRIVE, 45 - 60D	1,00			--
0034	LAFN09400	897449	HANGER, HOSE	1,00			--
0035	VTVT21096	897151	SCREW TE M 4X 10 INX	1,00			--
0036	VTVT15142	897450	SCREW TE M 6x45 INOX	4,00			--
0037	VTVT07725	897145	SCREW TE 5X16 UNI5739 INX	3,00		23/07/2020	--
0037	VTVT00916	N/A		3,00	24/07/2020	02/07/2021	--
0037	VTVT07725	897145	SCREW TE 5X16 UNI5739 INX	3,00	03/07/2021		--
0038	LAFN09353	897451	NET	1,00			--
0039	MPVR06400	897452	CAP	1,00			--
0040	VTVT00817	897453	SCREW TE M4x12 UNI 5739 INOX	1,00			--
0041	VTRS00515	897156	WASHER D. 4 INX	1,00			--
0042	KTRI01980	9017794	CAP KIT, DRAIN HOSE, RECVY	1,00			--
0043	LAFN03626	897146	SPACER	3,00	24/07/2020		--
0044	VTDD01693	VTDD01693	NUT, M5, INOX	3,00	24/07/2020	02/07/2021	--



Ref. K	Part N.	Part N. 2	Description	Quantity	Validity		Price
					From	To	
0002	VTRS13946	897120	WASHER, D.8X24, UNI6593, INOX	4,00			--
0003	LAFN04151	897370	BUSHING, 8B 12D 14	2,00			--
0004	VTRS43258	897371	WASHER, 13B 24D 2,5, NYL	2,00			--
0005	LAFN09298	897372	PLAT, ARM, SCB HEAD	4,00			--
0006	LAFN09306	897373	HEAD, SCB, 500MM	1,00			--
0008	MOCC00344	9017686	VR, BRUSH KIT, MOTOR, BRUSH [4 PC]	1,00			--
0008	MOCC00431	9017765	MOTOR, BRUSH, 24VDC	1,00			--
0008	MOCC00480	N/A	MOTOR.	1,00			--
0008	RDGR00052	N/A	REDUCTION UNIT	1,00			--
0009	VTRS15144	897129	WASHER D. 6 INX GRW UNI 1751	4,00			--
0010	VTVT13939	897287	SCREW TE 6X20 UNI5739 INX	4,00			--
0011	VTVR16617	VTVR16617	WEDGE 6X 6X30 UNI 6604	1,00			--
0012	MFVR00212	9017812	HUB, DRIVE, BRUSH, DISK	1,00		01/09/2020	--
0012	MFVR00242	N/A	DRIVE DISK CONICAL ALUMINIUM	1,00	02/09/2020	25/11/2020	--
0012	MFVR00327	N/A	DRIVE DISK CONICAL ALUM.	1,00	26/11/2020		--
0013	VTRS16323	897375	WASHER, D. 8 X32, UNI6593, INOX	1,00			--
0014	VTRS15146	897216	WASHER, D. 8, GRW, UNI1751, INOX	1,00			--
0015	VTVT13938	897316	SCREW, TE, M8X20, UNI5739, INOX	1,00			--
0016	MEEV00036	9017718	VALVE, WATER, SOLENOID, 24VDC	1,00			--
0017	VTRS00515	897156	WASHER D. 4 INX	2,00			--
0018	VTVT01158	897262	SCREW, M4X16	3,00			--
0019	VTRS13947	897152	WASHER, D.8, UNI6592, INOX	6,00			--
0020	VTDD01695	897124	NUT, M8, INOX	5,00			--
0021	VTDD15521	897229	NUT, M8, UNI5588, INOX, A2	1,00			--
0022	MPVR06105	897376	WHEEL, BPMR, 80D X 22W	1,00			--
0023	LAFN03915	897121	BUSHING NUOVO RUOTINO STRONG	1,00			--
0024	VTVT06241	897311	SCREW, M8X40	1,00			--
0025	TBFX48011	897256	TUBE FLEX D.12X3 ARMORV.PVC TR	0,50			--
0026	FSVR00099	897137	CLAMP FERMATUBO	1,00			--
0027	SPPV01335	N/A	PAD D.500	1,00			--
0029	VTVT13944	897377	SCREW TCEI M8X20 UNI5931 INOX	2,00			--
0031	VTRS43258	897371	WASHER, 13B 24D 2,5, NYL	8,00			--
0032	LAFN04151	897370	BUSHING, 8B 12D 14	4,00			--
0033	VTRS13946	897120	WASHER, D.8X24, UNI6593, INOX	4,00			--
0034	VTVT00410	897243	SCREW TE M8x35 UNI5739 INOX	4,00			--
0035	RCDS35584	897378	BUSHING, 8B 12D 4,3	4,00			--
0036	VTVT01209	897379	SCREW, TE, M8X80	1,00			--
0037	VTDD01695	897124	NUT, M8, INOX	4,00			--
0038	MOCC00423	9017805	ACTUATOR, BRUSH HEAD, 24VDC	1,00	30/07/2019		--
0038	MOCC00424	9017803	ACTUATOR, SQGE, 24VDC	1,00		29/07/2019	--
0039	LAFN09320	897380	PIN, ACTUATOR, 8D X 115L	1,00			--
0040	LAFN47168	LAFN47168	BELT-STRETCHER ALTERNATOR TK1400	2,00			--
0041	VTVT07725	897145	SCREW TE 5X16 UNI5739 INX	3,00			--
0042	LAFN09405	897382	BRACKET	1,00			--

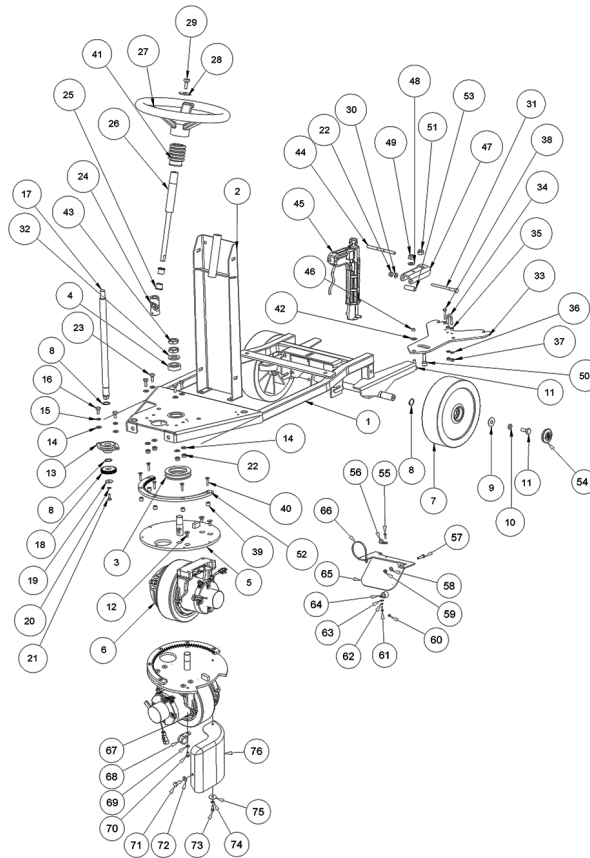


Ref. K	Part N.	Part N. 2	Description	Quantity	Validity		Price
					From	To	
0043	MPVR06402	897383	FLAP	1,00			--
0044	VTDD01693	VTDD01693	NUT, M5, INOX	3,00			--
0045	VTRS13750	897384	WASHER D. 5X14 INX	3,00			--
0046	MPVR10602	897385	DRIVE DISK TESTATA	2,00			--
0047	VTRS15913	897204	WASHER D. 4 GROVER A2 UNI1751	1,00			--
0048	MLML00328	897314	SPRING RETAINING, BRUSH DRIVER	1,00		01/09/2020	--
0048	MLML00350	N/A	SPRING ALUM. CONICAL DRIVER	1,00	02/09/2020		--
0049	VTVT21887	897313	SCREW, TCB, TC, M4X10	1,00			--

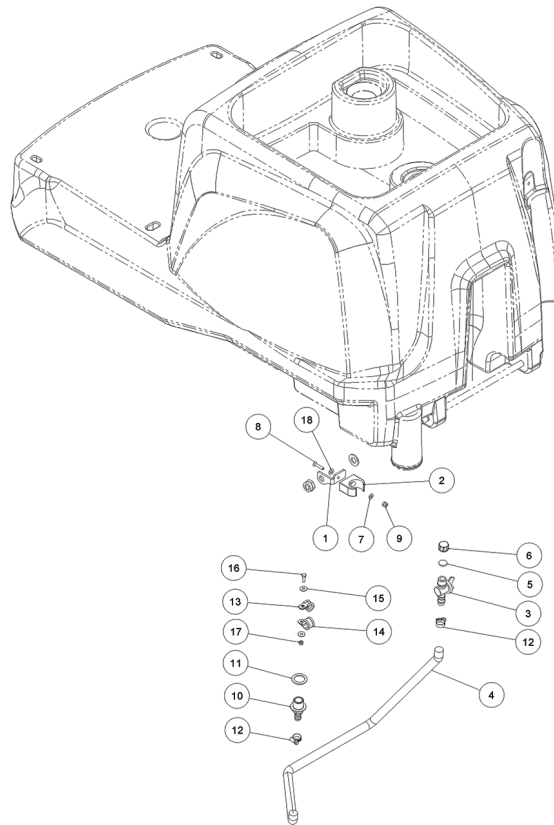


Ref. K	Part N.	Part N. 2	Description	Quantity	Validity		Price
					From	To	
0001	LAFN09292	897386	FRAME [2180SR]	1,00			--
0002	LAFN11171	897387	SUPPORT, WDLT, STEERING [2180SR]	1,00			--
0003	CUVR75816	897388	BEARING 51112	1,00			--
0004	CUVR00094	897389	BEARING 32004 TIPO SKF	1,00			--
0005	LAFN09293	897390	PLATE, RND, STEERING, CONTROL	1,00			--
0006	MOCC00433	9017807	DRIVE ASSY, WHEEL	1,00			--
0007	RTRT00547	9017809	WHEEL, SCRBR, 250MM X 60MM	2,00			--
0008	VTAE06193	897280	CIRCLIP, D. 20, UNI7435	2,00			--
0009	VTRS15524	897391	WASHER D.10	2,00			--
0010	VTRS15909	897392	WASHER D.10	2,00			--
0011	VTVT03640	897393	SCREW, TE, M10X25, UNI5740	2,00			--
0012	VTVT00790	897394	SCREW, TSPEI, M8X16	4,00			--
0013	CUVR00105	897283	SUPPORT	1,00			--
0014	VTRS13947	897152	WASHER, D.8, UNI6592, INOX	2,00			--
0015	VTRS15146	897216	WASHER, D. 8, GRW, UNI1751, INOX	2,00			--
0016	VTVT15916	897184	SCREW, TE, M8X16, UNI5739, A2	2,00			--
0017	LAFN09294	897395	SHAFT, STEERING	1,00			--
0018	LAFN06377	897396	SPROCKET, STEERING	1,00			--
0019	VTRS16937	897305	WASHER, M6X24, UNI6593, INOX	1,00			--
0020	VTRS15144	897129	WASHER D. 6 INX GRW UNI 1751	1,00			--
0021	VTVT15143	897128	SCREW TE 6X16 UNI5739	1,00			--
0022	VTDD01695	897124	NUT, M8, INOX	4,00			--
0023	VTVT13938	897316	SCREW, TE, M8X20, UNI5739, INOX	4,00			--
0024	VTVR00057	897397	JOINT, STEERING	1,00			--
0025	LAFN75841	897398	BUSHING, 15B 24D 17.5	2,00			--
0026	ALTR00097	897399	SHAFT, STEERING, WHEEL	1,00			--
0027	MPVR47027	897400	WHEEL, STEERING 320MM	1,00			--
0028	VTRS44254	897401	WASHER, M10X40X2,5, UNI6593, ZB	1,00			--
0029	VTVT00455	897402	SCREW, TE, M10X20, UNI5739	1,00			--
0030	VTRS00274	897157	WASHER NYLON 66 D. 84X17X2	2,00			--
0031	VTVT01677	897403	SCREW, TE, M8X100	1,00			--
0032	VTRS00019	897288	WASHER, UNI6592, FORO 20, INOX	1,00			--
0033	LAFN08156	897404	CHANNEL, ARM, SQGE	1,00			--
0034	LAFN09231	897251	BRACKET, M6X11X29	1,00			--
0035	VTDD15520	897405	NUT M 6 A2 UNI 5588 INX	2,00			--
0036	VTRS00245	897106	WASHER D.6 UNI 6592 INOX	2,00			--
0037	VTDD01694	897138	NUT M6 INOX	2,00			--
0038	VTVT13939	897287	SCREW TE 6X20 UNI5739 INX	1,00			--
0039	LAFN06844	897406	SPACER, RND, 6,5B 12D 10	5,00			--
0040	VTVT25909	897407	SCREW M6X25 TSPEI UNI5933	5,00			--
0041	MPVR51068	897408	BELLOWS, SHAFT, STEERING	0,50			--
0042	MLML34767	897409	SPRING D.10.2 X20	1,00			--
0043	VTDD00524	897410	NUT, HEX, M20 X 1,5	2,00			--
0044	LAFN09320	897380	PIN, ACTUATOR, 8D X 115L	1,00			--

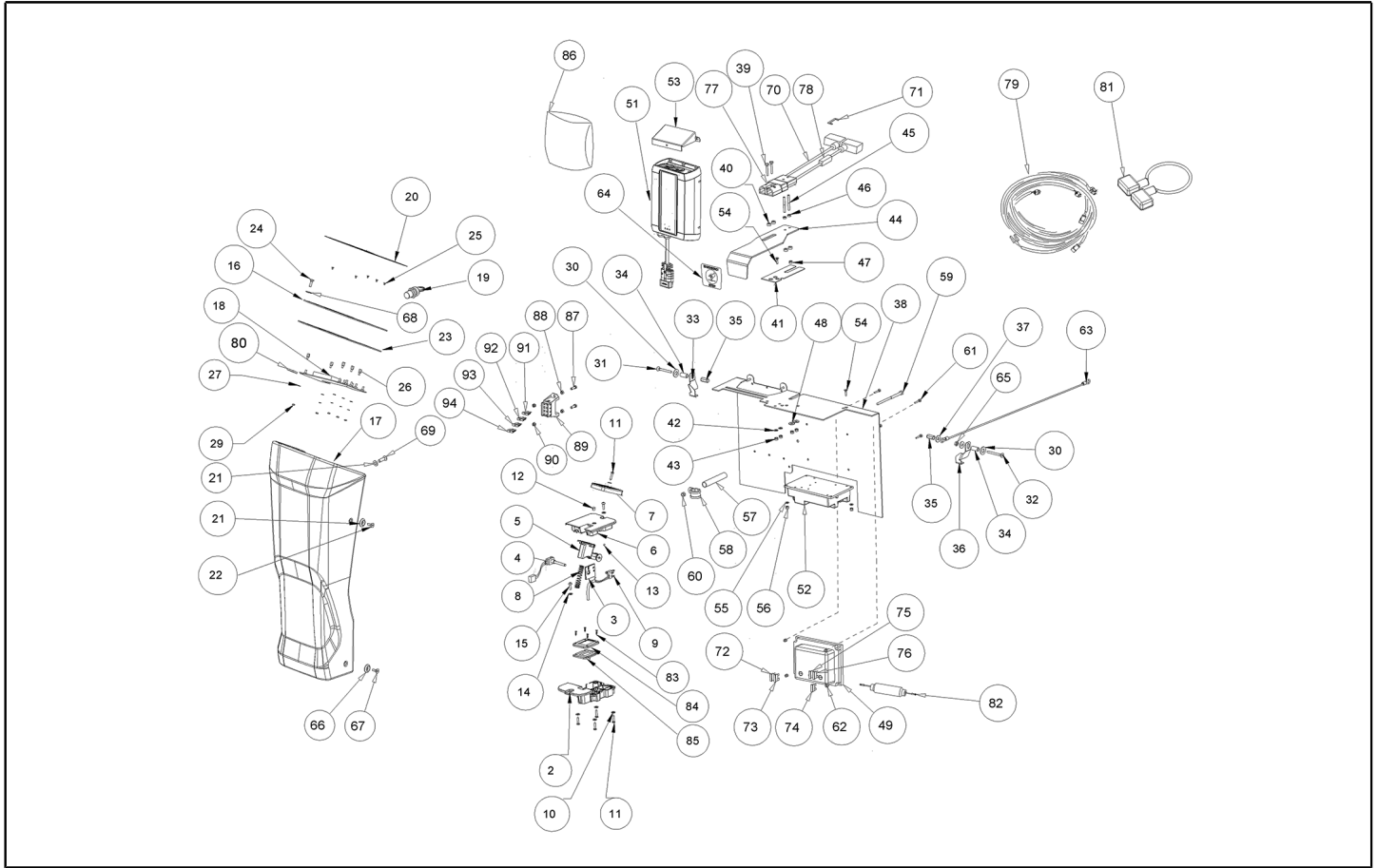




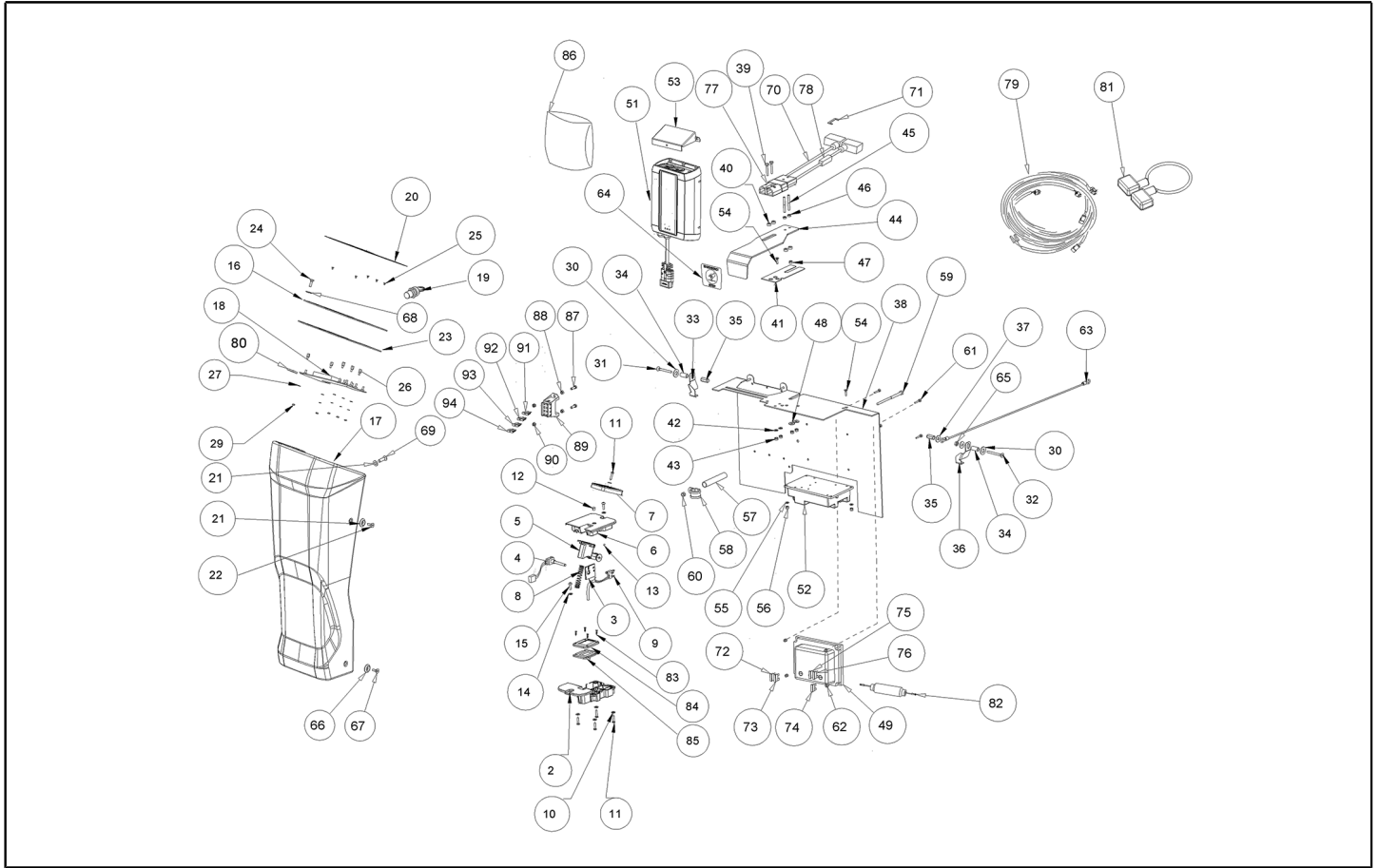
Ref. K	Part N.	Part N. 2	Description	Quantity	Validity		Price
					From	To	
0045	MOCC00424	9017803	ACTUATOR, SQGE, 24VDC	1,00			--
0046	LAFN09407	897411	SPACER, RND, 8B 10D 5,9	1,00			--
0047	LAFN08233	897412	SUPPORT	1,00			--
0048	VTRS13947	897152	WASHER, D.8, UNI6592, INOX	1,00			--
0049	VTDD01695	897124	NUT, M8, INOX	1,00			--
0050	VTVT00307	897413	SCREW, TCEI, M10X30	1,00			--
0051	VTDD15519	897414	NUT M10 INOX	1,00			--
0052	LAFN09409	897415	BRAKE	1,00			--
0053	MPVR06421	897416	SPACER	1,00			--
0054	MPVR05951	897417	CAP, WHEEL, PYP	2,00			--
0055	VTVT00817	897453	SCREW TE M4x12 UNI 5739 INOX	1,00			--
0056	MPVR02933	897334	DUCT LOCK D.9,5	1,00			--
0057	VTVT15141	897532	SCREW TE M 6X 25 UNI 5739 INX	1,00			--
0058	VTRS00245	897106	WASHER D.6 UNI 6592 INOX	1,00			--
0059	VTDD01700	897105	NUT M6 INOX+ZIN.	1,00			--
0060	VTDD00055	897276	NUT M 4 ATB A2	1,00			--
0061	VTVT01158	897262	SCREW, M4X16	1,00			--
0062	VTRS15913	897204	WASHER D. 4 GROVER A2 UNI1751	1,00			--
0063	VTRS00017		WASHER STEEL INOX 4X12	1,00			--
0064	FSVR00099	897137	CLAMP FERMATUBO	1,00			--
0065	MPVR12940	N/A	GUIDE .	1,00			--
0066	FSVR00049	N/A	CLAMP 4,5x200 black	1,00			--
0067	MEVR00686	897556	FAIR, LEAD DIAMETER 15.5	1,00			--
0068	MEVR02096	897363	FAIR, LEAD	1,00			--
0069	VTRS15144	897129	WASHER D. 6 INX GRW UNI 1751	1,00			--
0070	VTVT15906	897130	SCREW, TE, M6X12, UNI5739, A2	1,00			--
0071	VTVT13938	897316	SCREW, TE, M8X20, UNI5739, INOX	1,00			--
0072	VTRS13947	897152	WASHER, D.8, UNI6592, INOX	1,00			--
0073	VTVT00717	897352	SCREW, TCEI, M.6X16	1,00			--
0074	VTRS15144	897129	WASHER D. 6 INX GRW UNI 1751	1,00			--
0075	VTRS16937	897305	WASHER, M6X24, UNI6593, INOX	1,00			--
0076	MPVR12936	N/A	CRANKCASE .	1,00			--



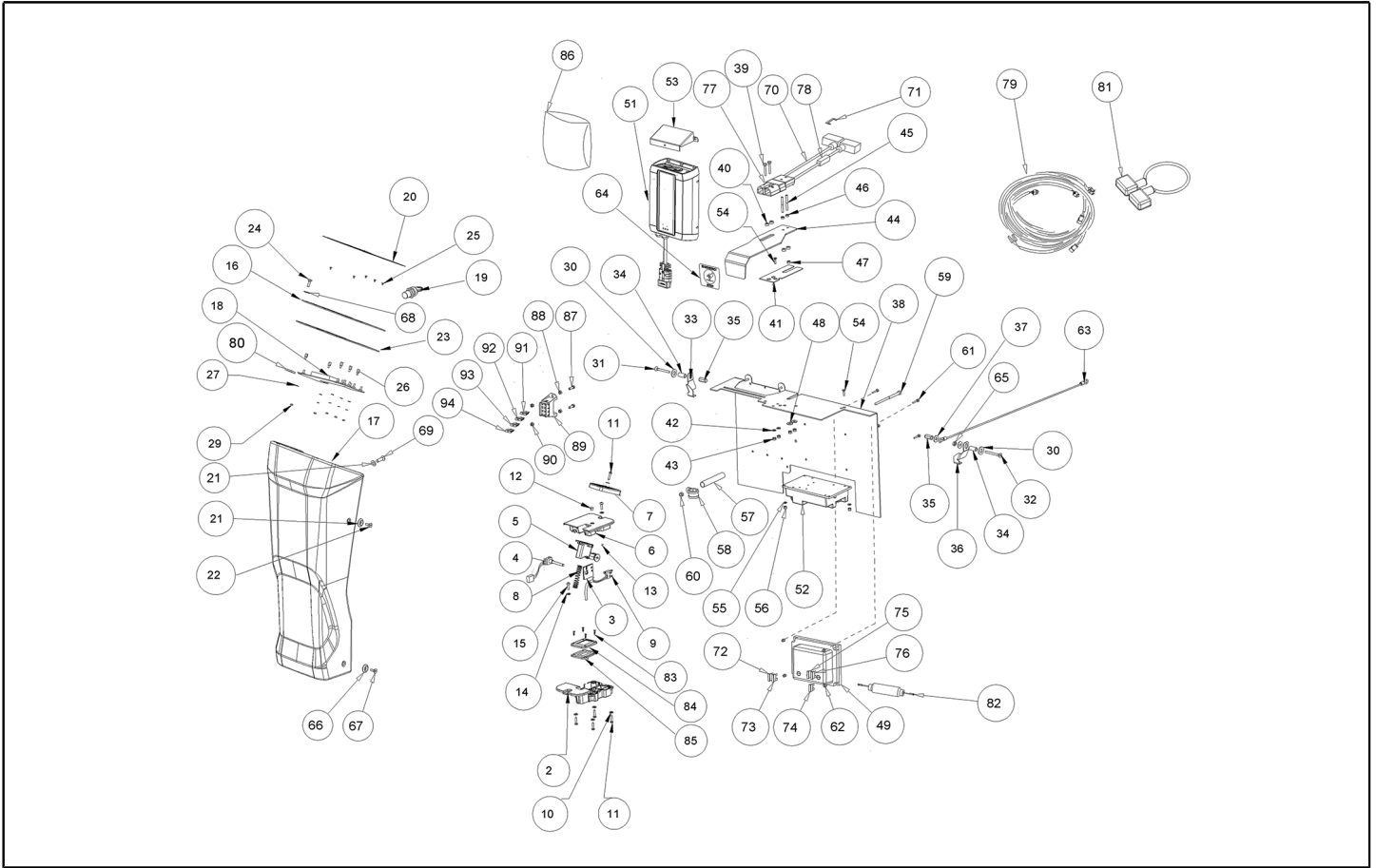
Ref. K	Part N.	Part N. 2	Description	Quantity	Validity		Price
					From	To	
0001	LAFN11623	N/A	SUPPORT .	1,00			--
0002	MPVR05280	897266	CLIP, M25	1,00			--
0003	RCVR00590	897271	CONNECTOR 1/2 M RESCA 15	1,00			--
0004	TBBP00743	897656	HOSE, DRAIN, SOLTN	1,00			--
0005	GUGO00268	897270	GASKET D.21 SP.3 GOMMA	1,00			--
0006	RCVR00353	897269	CAP 1/2"G X ELETTRIV. ACL	1,00			--
0007	VTRS00515	897156	WASHER D. 4 INX	1,00			--
0008	VTVT00877	N/A	SCREW TSPEI M 4X20 INX UNI5933	1,00			--
0009	VTDD15925	897160	NUT, M4, INOX, ZN	1,00			--
0010	RCVR00795	897360	FITTING, PLASTIC, 3/4	1,00			--
0011	MPVR07077	897361	CRANKCASE FRONTALE 705 GRIGIO	1,00			--
0012	FSVR00428	897362	CLAMP, HOSE, WORMDRIVE, 12- 20D	2,00			--
0013	MEVR02096	897363	FAIR, LEAD	1,00			--
0014	FSVR00043	897364	CLAMP, STL, 16D, INSULATED	1,00			--
0015	VTRS13945	897112	WASHER D. 6X18 INX UNI 6593	4,00			--
0016	VTVT13939	897287	SCREW TE 6X20 UNI5739 INX	1,00			--
0017	VTDD01694	897138	NUT M6 INOX	1,00			--
0018	VTRS00119	N/A	WASHER UN.SCREW BLACK	1,00			--



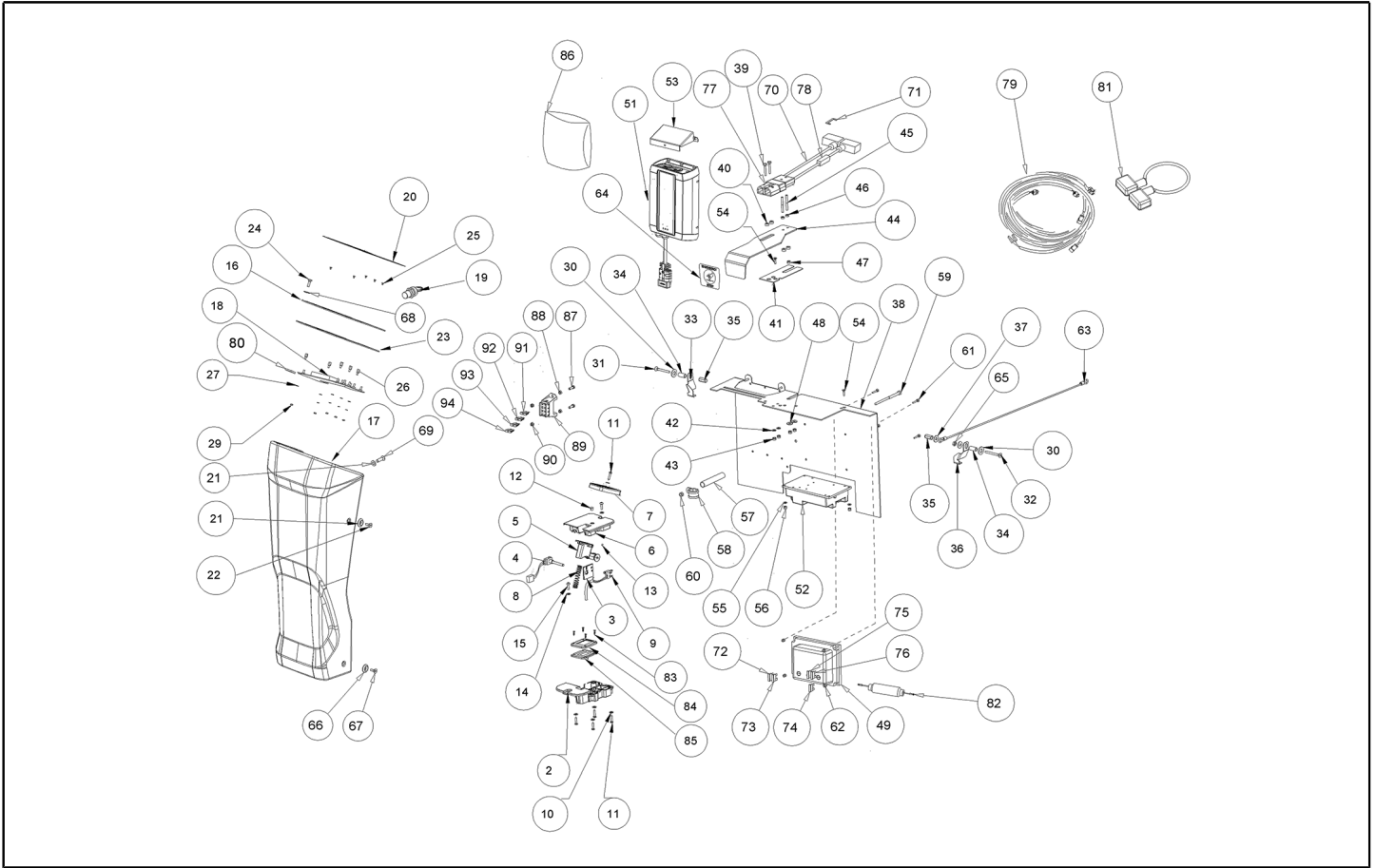
Ref. K	Part N.	Part N. 2	Description	Quantity	Validity		Price
					From	To	
0002	MPVR11937	N/A	BASE CT80 ACCELERATOR	1,00			--
0003	S MPVR07122	897468	PLATE	1,00			--
0004	S MEVR01755	9017795	SENSOR, POSITION, DRIVE	1,00			--
0005	MPVR11940	N/A	SUPPORT CT80 ACCELERATOR	1,00			--
0006	MPVR11938	N/A	COVER CT80 ACCELERATOR	1,00			--
0007	MPVR11939	N/A	PEDAL CT80 ACCELERATOR	1,00			--
0008	S MLML00476	9017810	SPRING, PEDAL	1,00			--
0009	S MECI00414	9017797	SWITCH, ACCELERATOR	1,00			--
0010	VTRS00516	897166	WASHER, D. 5, INOX	4,00			--
0011	VTVT48694	VTVT48694	SCREW TCB TC 5 X12 UNI 9707 TZ	4,00			--
0012	RCVR00163	897474	CAP D.6	1,00			--
0013	VTVT01703	897475	GRUB, SCREW, M4X8	1,00			--
0014	VTRS00516	897166	WASHER, D. 5, INOX	1,00			--
0015	VTVT45339	897476	SCREW, M5X16, TBCE, ISO7380, ZB	1,00			--
0016	LAFN08131	897477	PLATE	1,00			--
0017	MPVR12902	N/A	CRANKCASE FRONTAL PT80 BLUE	1,00			--
0018	MECE00589	9017823	CIRCUITBOARD, DISPLAY PANL	1,00			--
0019	MECI75805	1017696	KEY SET, REPLMT [F/ KEYSWITCH 1011402]	1,00			--
0020	ETET20277	897479	LABEL, DISPLAY [2180SR]	1,00			--
0021	VTVR41809	897480	UND.SCREW FLAN. D. 6.5, 22 H4.5 NYL.NERO	4,00			--
0022	VTVT00869	N/A	SCREW TSPEI M.6-60 INOX A2	2,00			--
0023	GUVR00322	897482	GASKET	1,00			--
0024	VTVT15937	897483	SCREW, TSPEI, M5X20, UNI5933, INOX	4,00			--
0025	VTVT01377	897484	SCREW TSP, TC M3X5 UNI7688 INOX	5,00			--
0026	VTVR00576	897485	SPACER M3	5,00			--
0027	VTRS00385	N/A	WASHER UNI 6592 3,2X7X0,5 INOX	5,00			--
0029	VTDD00210	9018496	NUT M 3 AUTOBL.DIN 985 IX.A2	5,00			--
0030	VTRS15523	897432	WASHER, D. 10X21, UNI6592, INOX	2,00			--
0031	VTVT26818	897486	SCREW M6X45 TSPEI UNI5933	1,00			--
0032	VTVT30247	897487	SCREW, TSPEI, M6X50, UNI5933	1,00			--
0033	LAFN09398	897488	BRACKET	1,00			--
0034	MPVR07165	897489	SPACER	2,00			--
0035	VTVR00556	897490	RIVET	2,00			--
0036	LAFN09399	897491	BRACKET	1,00			--
0037	VTRS00245	897106	WASHER D.6 UNI 6592 INOX	1,00			--
0038	LAFN09322	897659	BRACKET, MTG, CIRCUITBOARD	1,00			--
0039	VTVT00423	897492	SCREW, TE, M5X30, UNI5739	2,00			--
0040	MPVR07164	897493	SPACER	2,00			--
0041	MPVR07141	897494	PLATE	1,00			--
0042	VTRS00516	897166	WASHER, D. 5, INOX	2,00			--
0043	VTDD01693	VTDD01693	NUT, M5, INOX	2,00			--
0044	LAFN09321	897495	LEVER	1,00			--
0045	LAFN09350	897496	PIN	2,00			--
0046	VTDD07727	897497	NUT, M5, INOX	2,00			--



Ref. K	Part N.	Part N. 2	Description	Quantity	Validity		Price
					From	To	
0047	VTRS13750	897384	WASHER D. 5X14 INX	1,00			--
0048	VTRS13750	897384	WASHER D. 5X14 INX	2,00			--
0049	MECE00738	897498	BOARD POWER SERVICE	1,00			--
0051	BACA00180	897499	BATTERY, CHARGER CBHD1, XR, P 24V 15A	1,00			--
0052	MECE00590	897500	BOARD	1,00			--
0053	LAFN11284	897501	CONVEYOR CBHD1, XR, P	1,00			--
0054	VTVT16939	897502	SCREW, M4X16, TSPEI, UNI5933	2,00			--
0055	VTRS00515	897156	WASHER D. 4 INX	2,00			--
0056	VTDD00055	897276	NUT M 4 ATB A2	2,00			--
0057	LAFN09323	897503	TUBE	1,00			--
0058	MEVR02096	897363	FAIR, LEAD	1,00			--
0059	VTVT00414	897504	SCREW TE M6X100 UNI5739	1,00			--
0060	VTDD01694	897138	NUT M6 INOX	1,00			--
0061	VTVT00704	897195	SCREW, TE, M4X16, UNI5739, INOX	4,00			--
0062	VTDD15925	897160	NUT, M4, INOX, ZN	4,00			--
0063	CMCV00471	897505	CABLE	1,00			--
0064	ETET01825	897506	LABEL	1,00			--
0065	VTDD00053	897250	NUT, M6, UNI5589, INOX	1,00			--
0066	VTVR41809	897480	UND.SCREW FLAN. D. 6.5, 22 H4.5 NYL.NERO	2,00			--
0067	VTVT29523	897507	SCREW, TSPEI, M6X35, UNI5933	2,00			--
0068	VTRS00060	897508	WASHER, M5,3x14,5x3,2	4,00			--
0069	VTVT13940	897277	SCREW, TSPEI, M6X20, UNI5933	2,00			--
0070	KTRI02290	897509	CABLE BATTERY, ANDERSON+FUS.	1,00			--
0071	MEVR32087	9017819	FUSE 100A NST.	1,00			--
0072	MEVR00644	MEVR00644	FUSE, 030A	1,00			--
0073	MEVR00644	MEVR00644	FUSE, 030A	1,00			--
0074	MEVR00644	MEVR00644	FUSE, 030A	1,00			--
0075	MEVR00565	9017817	FUSE, 005A	1,00			--
0076	MEVR00565	9017817	FUSE, 005A	1,00			--
0077	MEVR01621	897511	PLUG	1,00			--
0078	MEVR31036	897512	FUSE, HOLDER	1,00			--
0079	MECB02210	N/A	WIRING .	1,00			--
0080	MEVR02097	897514	CARD, SD	1,00			--
0081	MEVR34820	897205	WIRING BATTERY BRIDGE W/TERMINAL	1,00			--
0082	MECB01908	897660	WIRING, DIODE, FILTER	1,00			--
0083	VTVT01594	N/A	SCREW VITE TSPC 3x12	4,00			--
0084	MPVR11928	N/A	GASKET BRAKE PEDAL CT80	1,00			--
0085	MPVR11933	N/A	GASKET CT80 ACCELERATOR	1,00			--
0086	MPVR02838	N/A	BAG CHARGER POWER CORD	1,00			--
0087	VTVT07725	897145	SCREW TE 5X16 UNI5739 INX	2,00			--
0088	VTDD07727	897497	NUT, M5, INOX	2,00			--
0089	MEVR02666	N/A	FUSE CARRIER DIN	1,00			--
0090	VTDD01693	VTDD01693	NUT, M5, INOX	2,00			--
0091	MEVR01132	N/A	FUSE A LAMA 5 A.	1,00			--



Ref. K	Part N.	Part N. 2	Description	Quantity	Validity		Price
					From	To	
0092	MEVR01132	N/A	FUSE A LAMA 5 A.	1,00			--
0093	MEVR00584	MEVR00584	FUSE 3A	1,00			--
0094	MEVR00584	MEVR00584	FUSE 3A	1,00			--



Ref. Part N.	Part N. 2	Description	Reference	Price
KTRI02313	TEN033	CIRCUITBOARD, MAIN	0049	--
PMVR01531	TEN033	PEDAL, ASSY [2180SR]	0002 0003 0004 0005 0006 0007 0008 0009	--