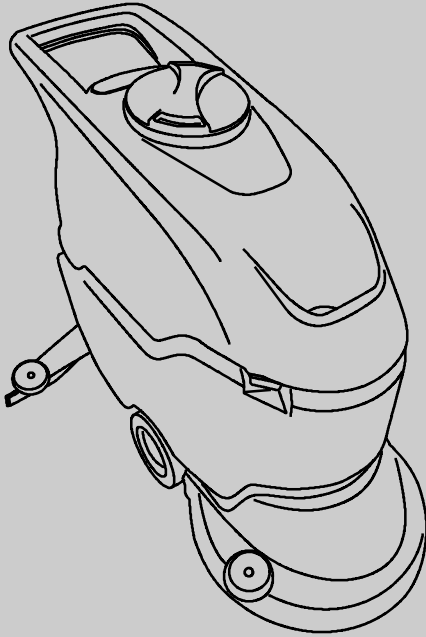




T290

Battery Floor Scrubber
(Pad Assist Model)

Parts Manual



Model Part No.:
LPTB03303 – SCRUBBER [T290 50CM PAD ASSIST, PD, ANZ]

Tennant *True*® Parts

ANZ



To view, print or download
Tennant manuals, visit:

www.tennantco.com/manuals

Rev. 00 (08-2022)

Only use TENNANT Company supplied or equivalent parts. Parts and supplies may be ordered online, by phone or from any Tennant Authorized Service Center or Distributor.

Before Ordering any parts or supplies, be sure to have the machine model number and serial number available.

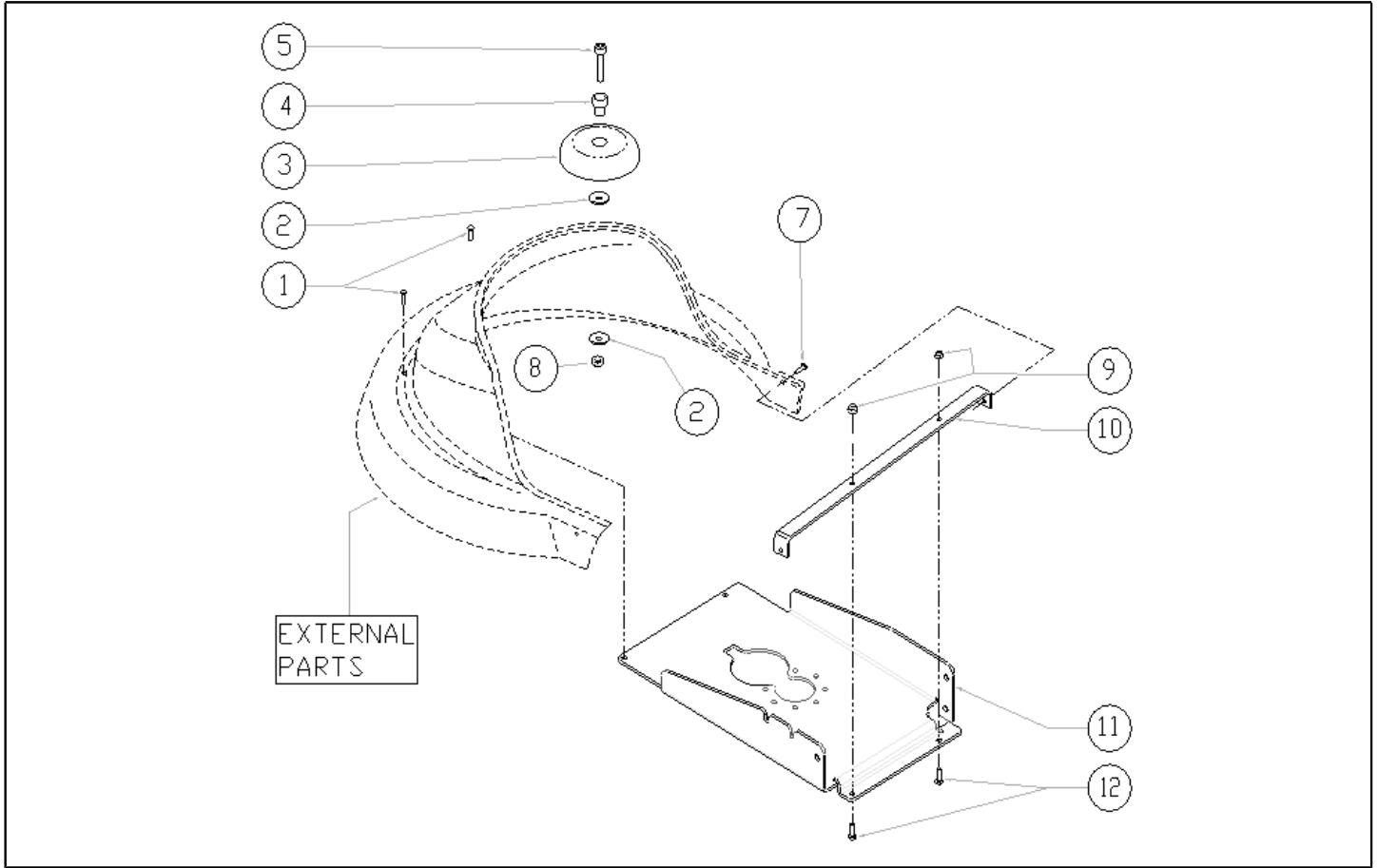
Tennant Company
10400 Clean Street
Eden Prairie, MN 55344-2650 USA
NA Phone: (800) 553-8033
ANZ Phone: 1800 226 843
www.tennantco.com
www.tennantco.com.au

Specifications and parts are subject to change without notice.

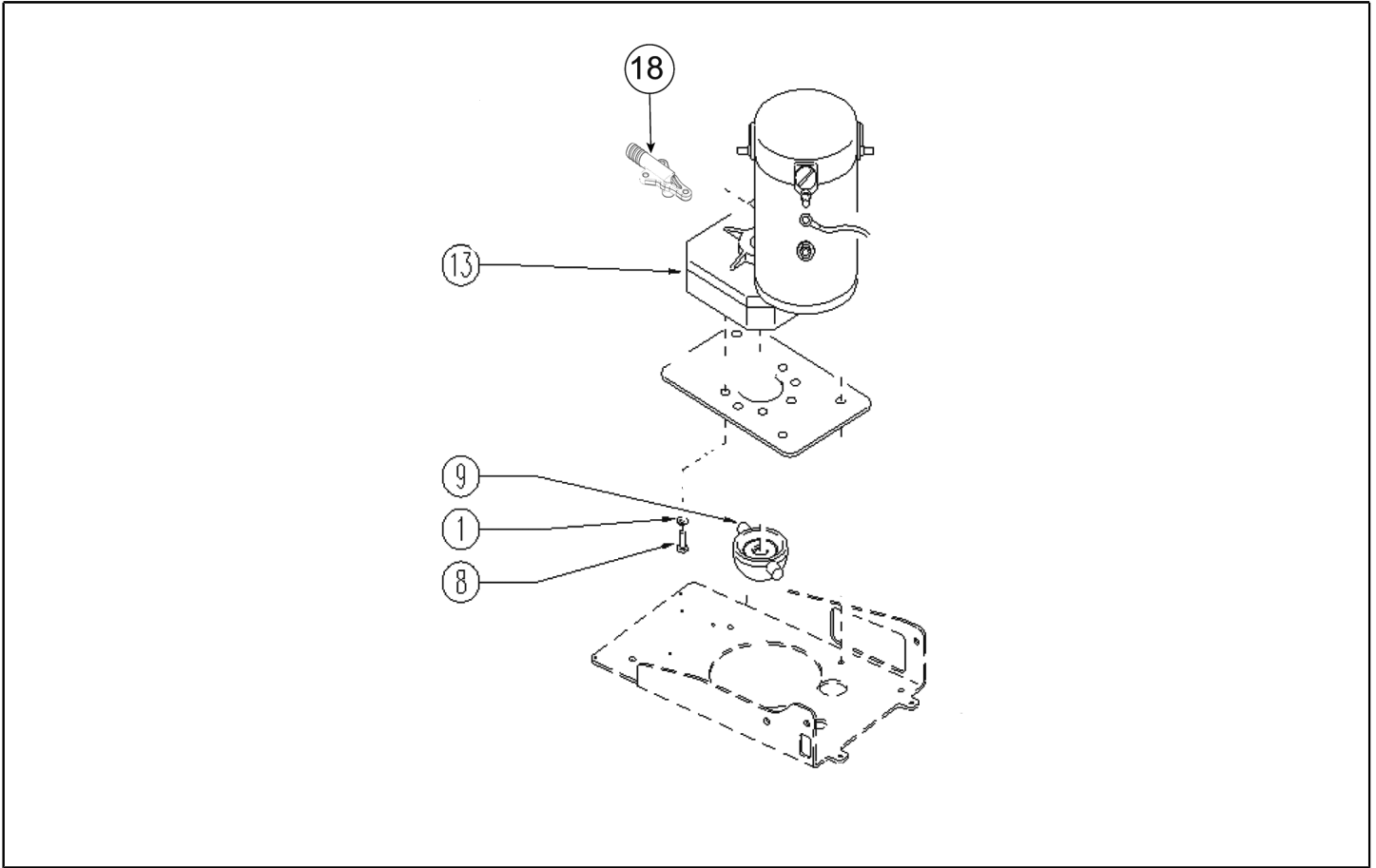
Copyright © 2022 TENNANT Company

T290 RECOMMENDED SPARE PARTS LIST

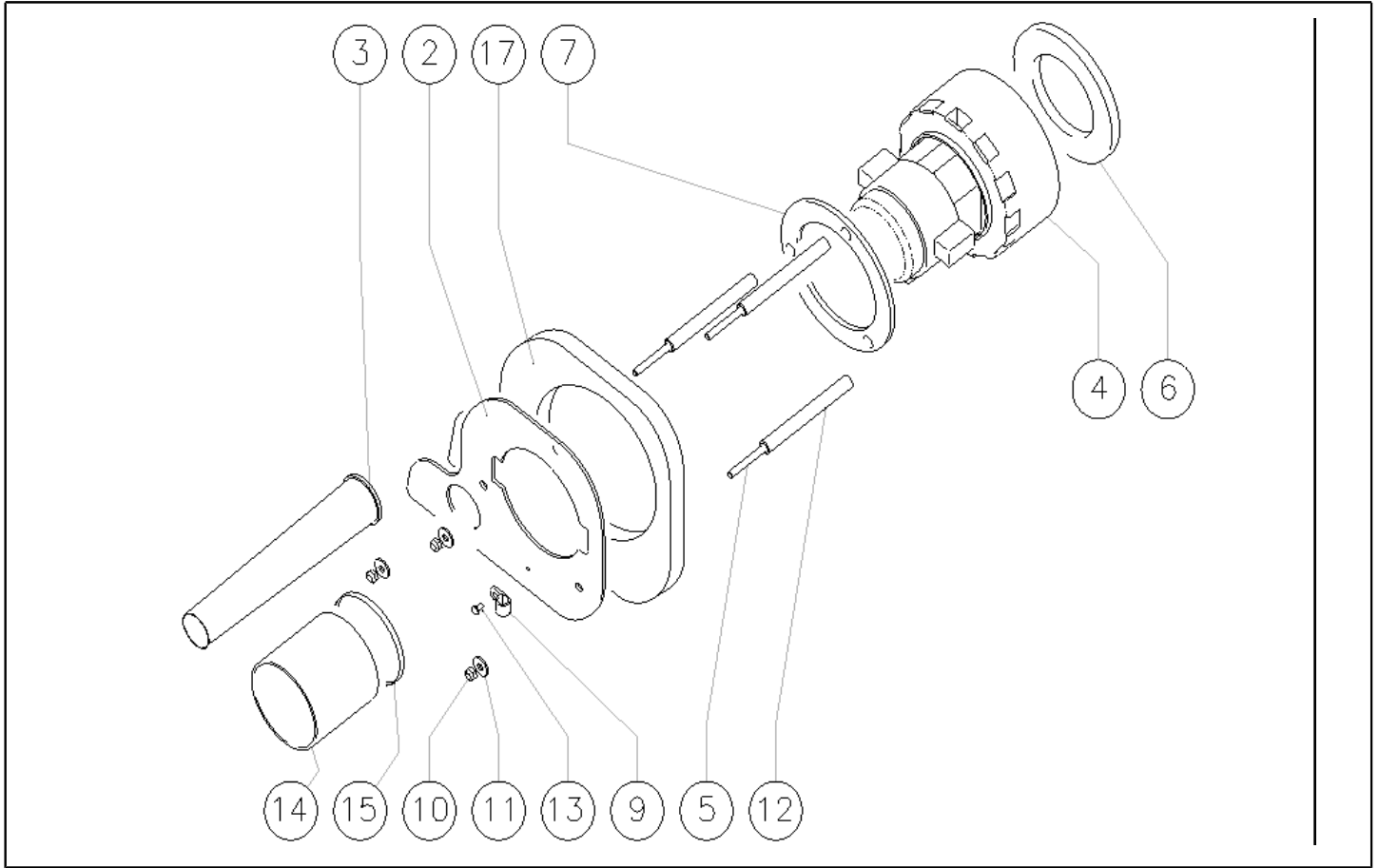
Part No.	WEAR PARTS
9017703	BRUSH ASSY, DISK, SCB, 50CM, PYP
9017704	BRUSH ASSY, DISK, SCB, 50CM, PYP, SOFT
9017710	DRIVER ASSY, PAD, 50CM
9017699	BLADE, SQGE, FRONT, 880L, LINATEX [STANDARD]
9017702	BLADE, SQGE, REAR, 900L, LINATEX [STANDARD]
9017695	BLADE, SQGE, FRONT, 880L, LATEX [OPTION]
9017694	BLADE, SQGE, REAR, 900L, LATEX [OPTION]
9017696	BLADE, SQGE, FRONT, 880L, PYU [OPTION]
9017698	BLADE, SQGE, REAR, 900L, PYU [OPTION]
Part No.	SERVICE PARTS
L-GF12105V	BATTERY, 12V , GEL 105AH
PMVR06660	SQUEEGEE ASSY, LINATEX BLADES [T290]
9017713	FILTER, VACUUM
9017711	SEAL, COVER, RECVY TANK
9017712	HOSE ASSY, RECOVERY
9017686	BRUSH KIT, CARBON, BRUSH MOTOR [4 PC]
9017687	BRUSH, CARBON, VAC FAN MOTOR
9018034	BRUSH, CARBON, TRANSAXLE MOTOR
9017715	CABLE, LIFT, SQGE
TBFX01299	HOSE ASSY, DRAIN
9017718	VALVE, WATER, SOLENOID, 24VDC
9017788	CASTER, SWIVEL
9017719	BEARING, AXLE
9018584	FILTER, WATER, SOLNT, COMPL
9017725	MOTOR, BRUSH, 24VDC
9017716	FAN, VACUUM
897285	MOTOR, TRACTION, 24V 145W
9017726	CIRCUITBOARD, MAIN
897186	CIRCUITBOARD, DISPLAY, ASSY
MEVR01428	FUSE 2A, MAIN CIRCUIT BOARD
9018332	FUSE 50A, MAIN CIRCUIT BOARD
9018333	FUSE 40A, MAIN CIRCUIT BOARD
9017722	GUARD, SPLASH (OPTION)
9017737	FLOAT, SHUTOFF
BACA00255	CHARGER, 24VDC/10A, 100-240VAC
MECB02065	CORD, POWER, CHRGR, [ANZ]



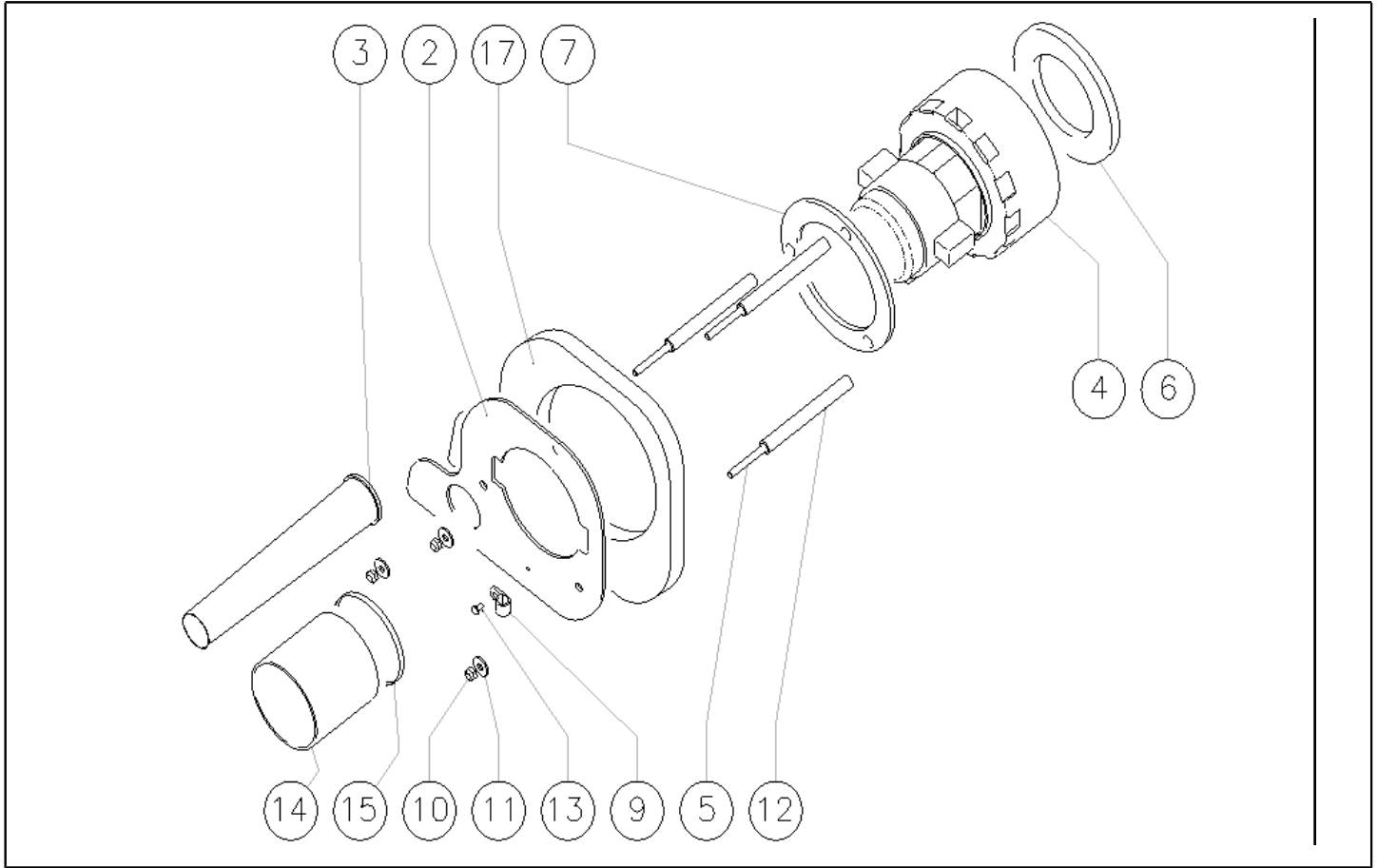
Ref. K	Part N.	Part N. 2	Description	Quantity	Validity		Price
					From	To	
0001	VTVT01004	897119	SCREW, M4X10, TRILOBATA	2,00			--
0002	VTRS13946	897120	WASHER, D.8X24, UNI6593, INOX	2,00			--
0003	MPVR05290	897101	WHEEL, BMPR, 98,5d X 21,5W	1,00			--
0004	LAFN03915	897121	BUSHING NUOVO RUOTINO STRONG	1,00			--
0005	VTVT00822	897122	SCREW, TCEI, M8X30	1,00			--
0007	VTVT01366	897123	SCREW M4X16	2,00			--
0008	VTDD01695	897124	NUT, M8, INOX	1,00			--
0009	VTDD15518	897125	NUT, M6, INOX	2,00			--
0010	LAFN05899	897126	SUPPORT BRACKET CARTER 1 EXTREME	1,00			--
0011	LAFN07373	897127	PLATE RIDUTTORE	1,00			--
0012	VTVT15143	897128	SCREW TE 6X16 UNI5739	2,00			--



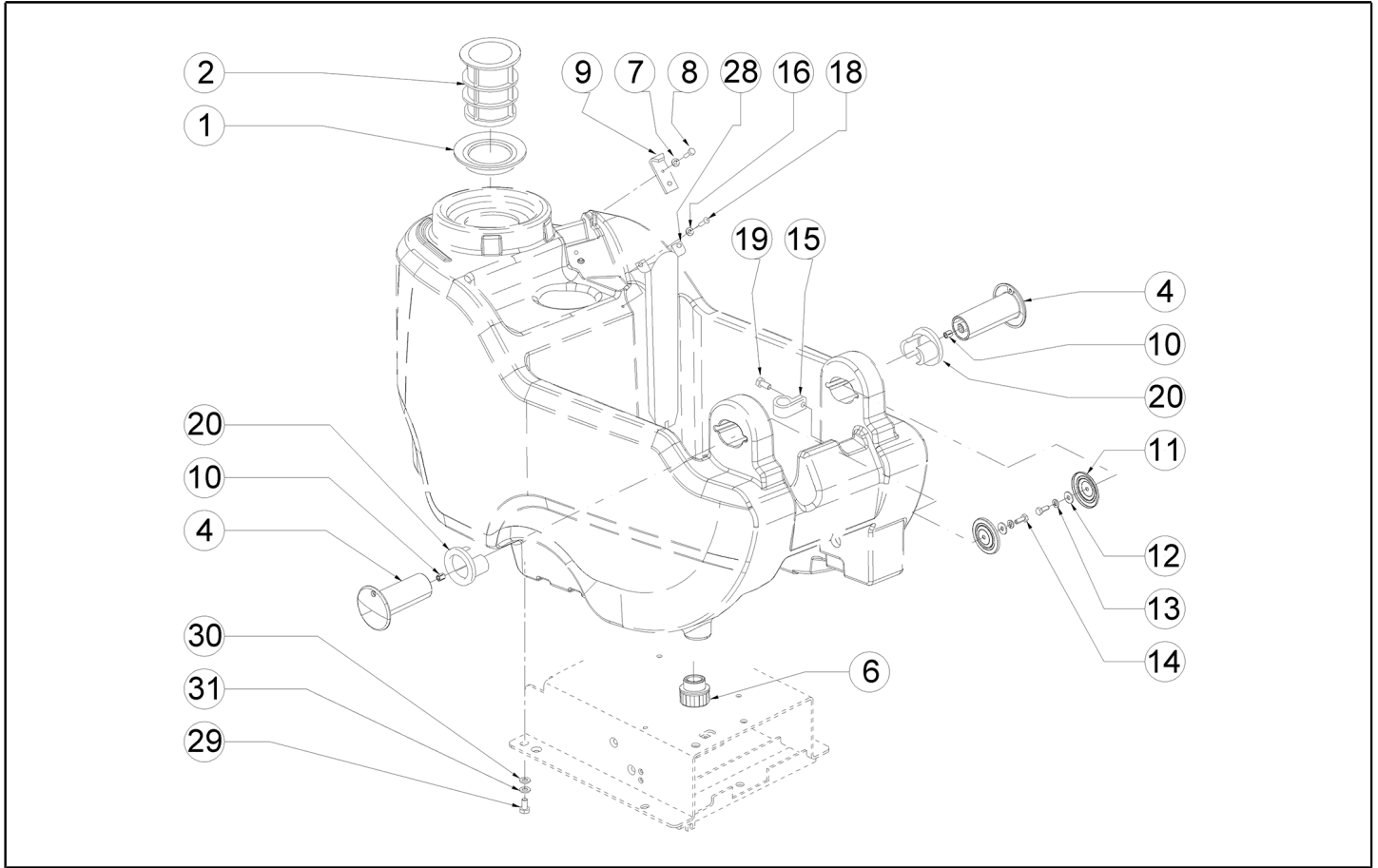
Ref. K	Part N.	Part N. 2	Description	Quantity	Validity		Price
					From	To	
0001	VTRS15144	897129	WASHER D. 6 INX GRW UNI 1751	8,00			--
0008	VTVT15906	897130	SCREW, TE, M6X12, UNI5739, A2	8,00			--
0009	MFVR00134	897131	DRIVE DISK ALUMINIUM S.B.	1,00			--
0013	MOCC00344	9017686	VR, BRUSH KIT, MOTOR, BRUSH [4 PC]	4,00			--
0013	MOCC00405	9017725	MOTOR, BRUSH, 24VDC	1,00			--
0018	RCDS00046	897132	CONNECTOR	1,00			--



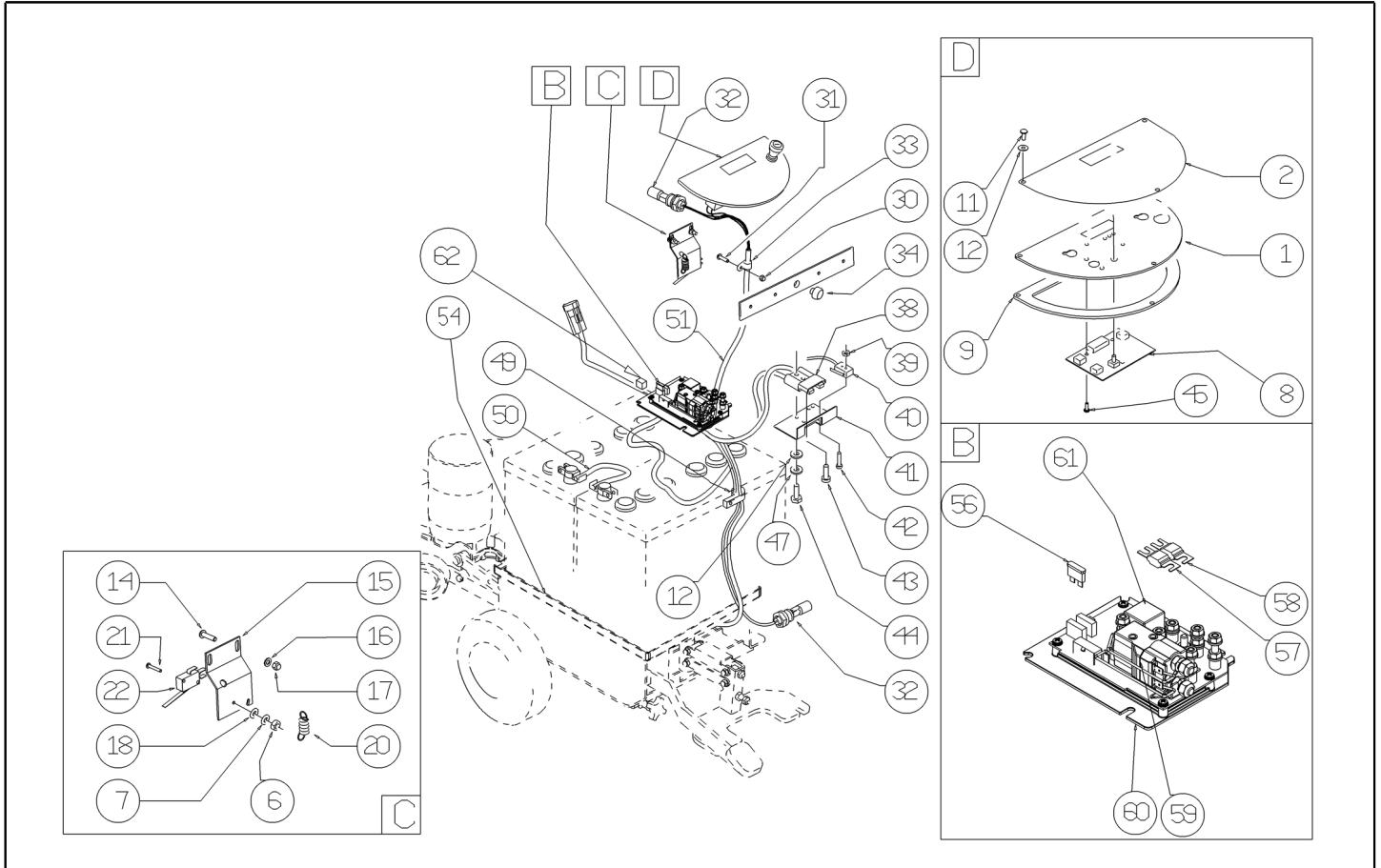
Ref. K	Part N.	Part N. 2	Description	Quantity	Validity		Price
					From	To	
0002	S	LAFN06363	897133	FLANGE ASPIRATORE	1,00		--
0003	S	MPVR05259	897134	TUBE SCARICO	1,00		--
0004		MEVR05200	9017687	VR, BRUSH, MOTOR, VACFAN	2,00		--
0004	S	MOCC00349	9017716	FAN, VACUUM	1,00		--
0005		VTVR00198	897135	ROD	3,00		--
0006	S	GUGO00272	9017714	GASKET, MOTOR, VACUUM	1,00		--
0007	S	MPVR04724	897136	FLANGE, NYLON	1,00		--
0009	S	FSVR00099	897137	CLAMP FERMATUBO	1,00		--
0010		VTDD01694	897138	NUT M6 INOX	3,00		--
0011		VTRS13945	897112	WASHER D. 6X18 INX UNI 6593	3,00		--
0012		LAFN51078	897139	SPACER SH	3,00		--
0013	S	VTVT00813	897140	SCREW, M4X8, TCB, TC, UNI8112	1,00		--
0014	S	TBFX00312	897141	TUBE ASPIRAZIONE	1,00		--
0015	S	FSVR00118	897142	CLAMP D.94	1,00		--
0017	S	MPVR05103	897143	SOUND, PROOFING ASPIRATORE	1,00		--



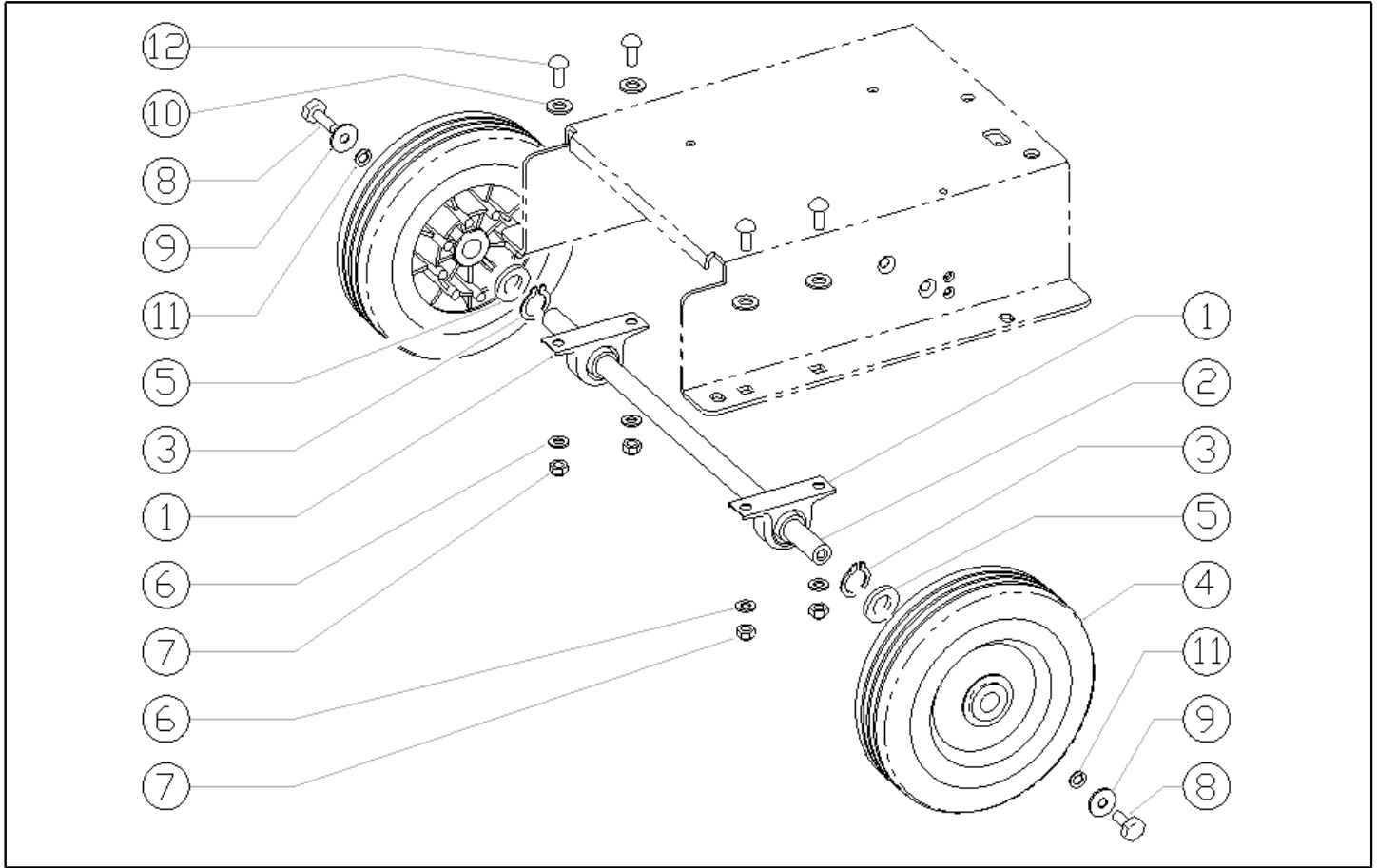
Ref. Part N.	Part N. 2	Description	Reference	Price
KTRI01781			0002 0003 0004 0006 0007 0009 0013 0014 0015 0017	--



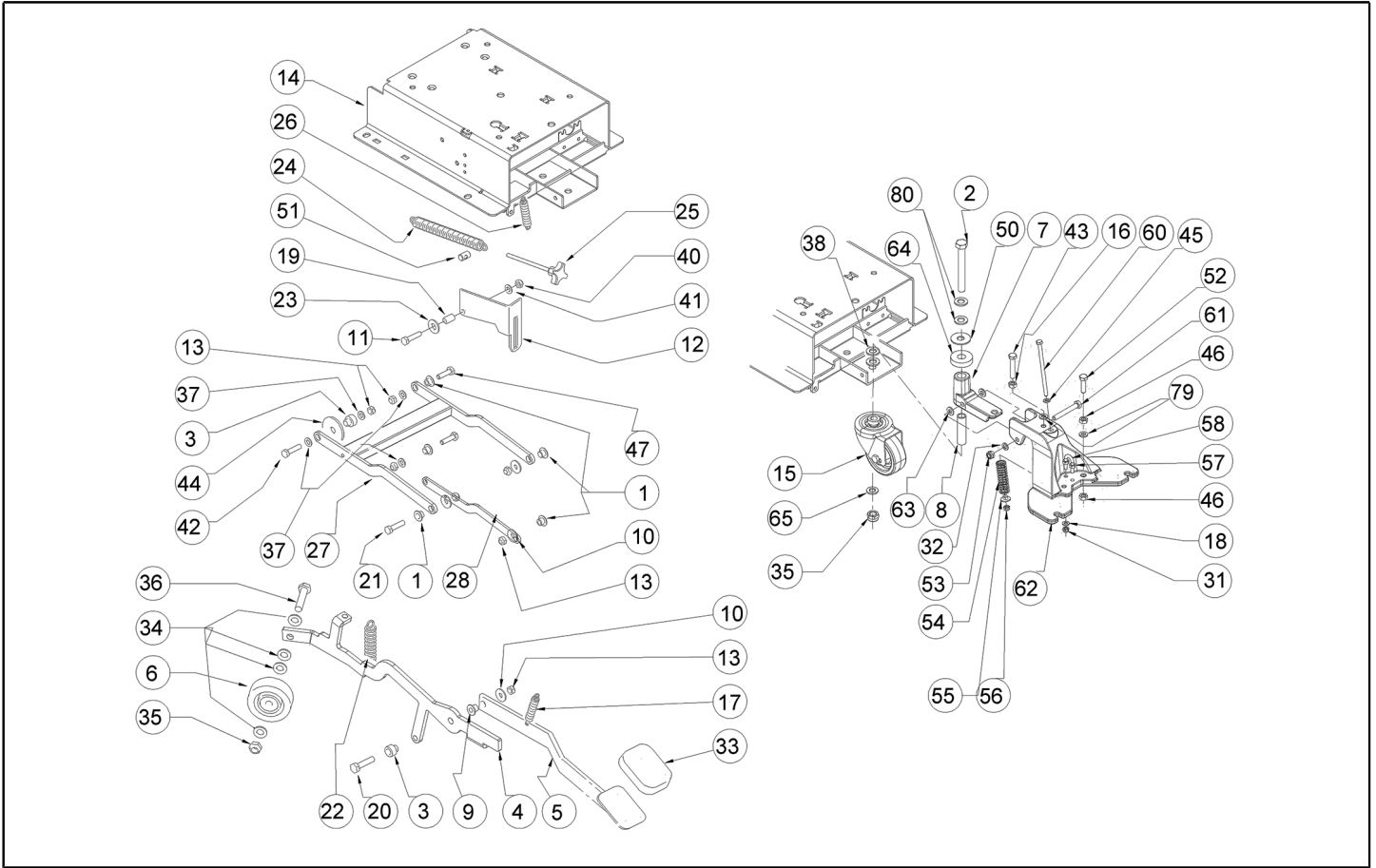
Ref. K	Part N.	Part N. 2	Description	Quantity	Validity		Price
					From	To	
0001	GUVR48859	897173	GASKET SHK	1,00			--
0002	FTAC48857	897174	FILTER SOLUTION TANK INLET	1,00			--
0004	MPVR06407	897175	PIN	2,00			--
0006	MPVR10774	897176	CAP 1/2"	1,00			--
0007	VTRS15144	897129	WASHER D. 6 INX GRW UNI 1751	1,00			--
0008	VTVT01303	897177	SCREW, TE, M6X10, INOX	1,00			--
0009	LAFN06489	897178	PLATE	1,00			--
0010	VTVR48693	897179	INSERT, THREAD, M6	2,00			--
0011	LAFN07800	897111	PLATE, SPPT, STL	2,00			--
0012	VTRS13945	897112	WASHER D. 6X18 INX UNI 6593	2,00			--
0013	VTRS15144	897129	WASHER D. 6 INX GRW UNI 1751	2,00			--
0014	VTVT15143	897128	SCREW TE 6X16 UNI5739	2,00			--
0015	FSVR00099	897137	CLAMP FERMATUBO	2,00			--
0016	VTRS00515	897156	WASHER D. 4 INX	2,00			--
0018	VTVT37012	897180	SCREW, M4X10, TCB, TC, INOX	2,00			--
0019	VTVT15961	VTVT15961	SCREW, M5X16, TCB, TC, UNI7687	1,00			--
0020	PMVR02028	897182	RUBBER GRUPPO MONTAGGIO	2,00			--
0028	MPVR51085	897183	FLAP POSTER.TERGI 950 MAGG.	1,00			--
0029	VTVT15916	897184	SCREW, TE, M8X16, UNI5739, A2	4,00			--
0030	VTRS13947	897152	WASHER, D.8, UNI6592, INOX	4,00			--
0031	VTRS00269	897185	WASHER, D. 8, DIN6798-A, INOX, A2	4,00			--



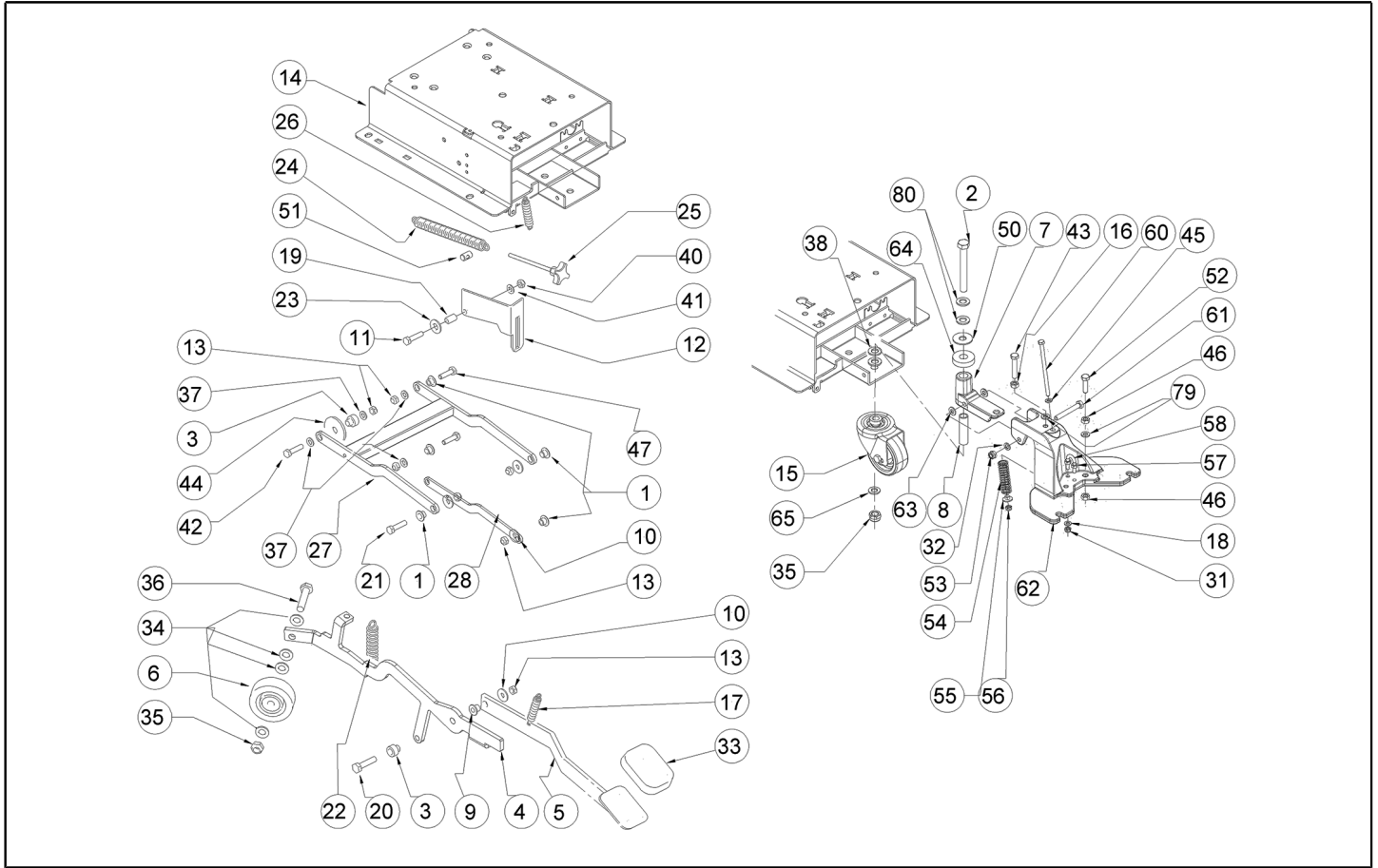
Ref. K	Part N.	Part N. 2	Description	Quantity	Validity		Price
					From	To	
000D	MECE00534	897186	BOARD, 70 B	1,00			--
0001	LAFN08989	897187	SUPPORT	1,00			--
0002	ETET01670	897188	LABEL	1,00			--
0006	VTDD21115	897189	NUT, M3, INOX	7,00			--
0007	VTRS00268	897190	WASHER, D.3	7,00			--
0008	MECE00608	9017727	CIRCUITBOARD, DISPLAY	1,00			--
0009	GUGO38417	897191	GASKET, PANN, COM, EXTREME	1,00			--
0011	VTVT37012	897180	SCREW, M4X10, TCB, TC, INOX	3,00			--
0012	VTRS00515	897156	WASHER D. 4 INX	10,00			--
0014	VTVT07725	897145	SCREW TE 5X16 UNI5739 INX	2,00			--
0015	LAFN05904	897192	PLATE MICRO LEVA	1,00			--
0016	VTRS00516	897166	WASHER, D. 5, INOX	2,00			--
0017	VTDD01693	VTDD01693	NUT, M5, INOX	2,00			--
0018	VTRS21116	897193	WASHER, D. 3, INOX	2,00			--
0020	MLML00203	897148	SPRING	1,00			--
0021	VTVT01316	897194	SCREW TC+ M3, 16	2,00			--
0022	MECI36393	9017689	SWITCH, HANDLE	1,00			--
0030	VTDD15925	897160	NUT, M4, INOX, ZN	1,00			--
0031	VTVT00704	897195	SCREW, TE, M4X16, UNI5739, INOX	5,00			--
0032	MECI00516	9017737	FLOAT, SHUTOFF	2,00			--
0033	Fsvr00099	897137	CLAMP FERMATUBO	1,00			--
0034	MPVR00043	897196	CAP CHIUS.FORO PORTAFUS.L 15	1,00			--
0038	MEVR01707	897197	CONNECTOR	1,00			--
0039	VTDD08634	897198	NUT, M2	2,00			--
0040	MECI00334	897199	MICROSWITCH CHARGING PLUG	1,00			--
0041	LAFN06409	897200	SUPPORT	1,00			--
0042	VTVT00671	897201	SCREW, TC, M.2X16, BRASS	2,00			--
0043	VTVT00872	897202	SCREW TSP+ 2.9X13 AUTOFIL. INOX	1,00			--
0044	VTVT00814	897155	SCREW, TE, M.4X25	2,00			--
0045	VTVT00722	897203	SCREW	2,00			--
0047	VTRS15913	897204	WASHER D. 4 GROVER A2 UNI1751	2,00			--
0049	Fsvr00099	897137	CLAMP FERMATUBO	1,00			--
0050	MEVR34820	897205	WIRING BATTERY BRIDGE W/TERMINAL	1,00			--
0051	MECB01252	897206	WIRING	1,00			--
0054	LAFN35588	897207	BATTERY SUPPORT CT LINE	1,00			--
0056	MEVR01428	MEVR01428	FUSE 2A	1,00			--
0057	MEVR02105	9018332	FUSE, 50A	1,00			--
0058	MEVR02060	9018333	FUSE, 40A	1,00			--
0059	METT00085	897208	CONTACTOR 100A	1,00			--
0060	MECE00574	9017726	CIRCUITBOARD, MAIN	1,00			--
0061	MECE00139	897209	RELAY 24V 70A	1,00			--
0062	GUGO00460	897210	MOUSSE, M20x15x18	1,00			--



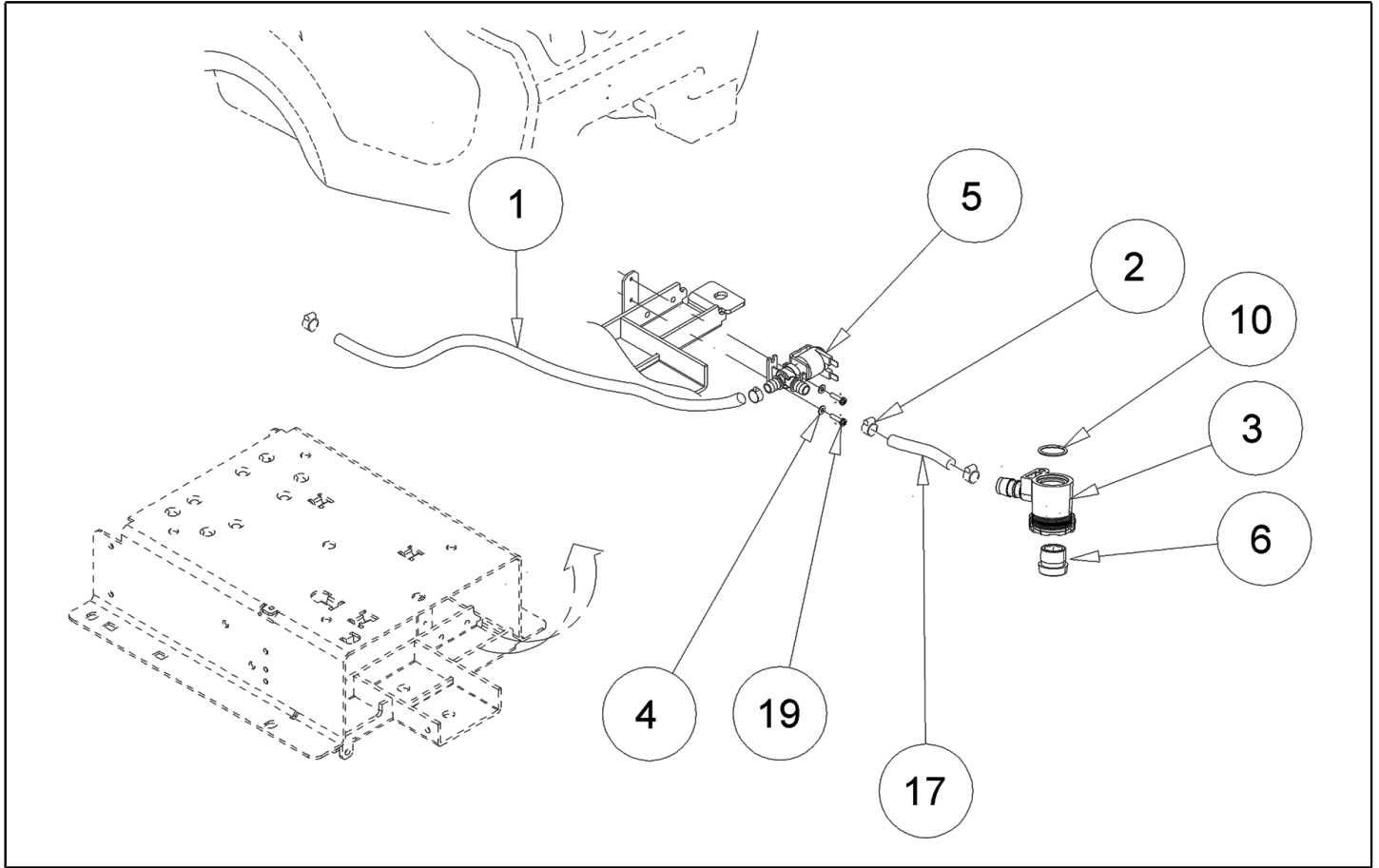
Ref. K	Part N.	Part N. 2	Description	Quantity	Validity		Price
					From	To	
0001	CUVR49833	9017719	BEARING, AXLE	2,00			--
0002	ALTR00088	897211	AXLE	1,00			--
0003	VTAE00065	897212	RING D17 UNI7435 INOX	2,00			--
0004	RTRT00366	897213	WHEEL D200 X CLT 40	2,00			--
0005	VTRS00378	897214	WASHER, M17.5X32X1.5	4,00	03/09/2012		--
0006	VTRS13947	897152	WASHER, D.8, UNI6592, INOX	4,00			--
0007	VTDD01695	897124	NUT, M8, INOX	4,00			--
0008	VTVT15916	897184	SCREW, TE, M8X16, UNI5739, A2	2,00			--
0009	VTRS13946	897120	WASHER, D.8X24, UNI6593, INOX	2,00			--
0010	VTRS15978	897215	WASHER, D.12X24, UNI6592, INOX	4,00			--
0011	VTRS15146	897216	WASHER, D. 8, GRW, UNI1751, INOX	2,00			--
0012	VTVT00842	897217	SCREW	4,00			--



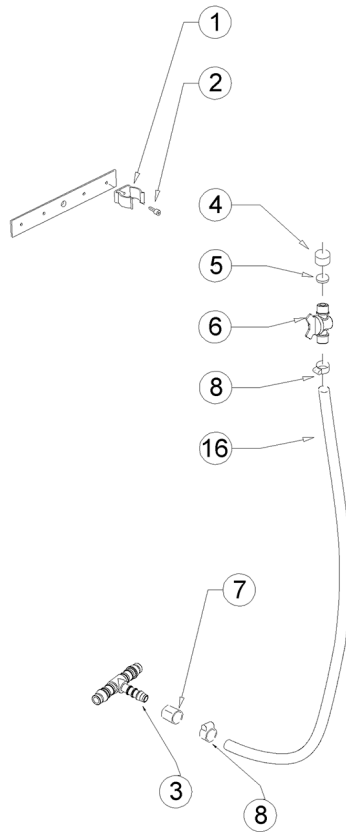
Ref. K	Part N.	Part N. 2	Description	Quantity	Validity		Price
					From	To	
0001	LAFN06391	897218	BUSHING BRUSH DECK SUPPORT	5,00			--
0002	VTVT00259	N/A	SCREW TE M12X120	1,00			--
0003	LAFN04190	897220	BUSHING PARALLELOGR.TEST.GR.	2,00			--
0004	LAFN07872	897221	LEVER	1,00			--
0005	LAFN09270	897222	PEDAL BRUSH HEAD LIFTING	1,00			--
0006	RTRT49171	9017728	WHEEL, BRUSH, 80MM X 12MM	1,00			--
0007	MFVR00226	897223	SUPPORT SQUEEGEE	1,00			--
0008	LAFN09006	897224	PIN	1,00			--
0009	LAFN51068	897225	BUSHING LEVA POSTER.	1,00			--
0010	VTRS13946	897120	WASHER, D.8X24, UNI6593, INOX	4,00			--
0011	VTVT00161	897226	SCREW TE M6X20	1,00		26/02/2019	--
0011	VTVT13939	897287	SCREW TE 6X20 UNI5739 INX	1,00	27/02/2019		--
0012	LAFN10124	897227	PLATE	1,00			--
0013	VTDD01695	897124	NUT, M8, INOX	7,00			--
0014	LAFN07293	897228	TANK, BASE	1,00			--
0015	RTRT00689	9017788	CASTER, SWIVEL, PU, 80MM X 25MM	1,00			--
0016	VTDD15521	897229	NUT, M8, UNI5588, INOX, A2	1,00			--
0017	MLML34726	897230	SPRING TR E350 N	1,00			--
0018	VTRS00245	897106	WASHER D.6 UNI 6592 INOX	2,00			--
0019	LAFN03840	897231	BUSHING	1,00			--
0020	VTVT15917	897232	SCREW, TE, M8X50, INOX, A2	1,00			--
0021	VTVT15907	897233	SCREW, TE, M8X25, UNI5739, INOX	3,00			--
0022	MLML00313	897234	SPRING	1,00			--
0023	VTRS00274	897157	WASHER NYLON 66 D. 84X17X2	1,00			--
0024	MLML31130	897235	SPRING D. 17.5 X110 N38	1,00			--
0025	VTVR35749	897236	HANDWHEEL, M6, MAX110, D.35	1,00			--
0026	MLML00303	897237	SPRING, L54.1 D.9.1	1,00			--
0027	LAFN06388	897238	ARM, MAINHEAD	1,00			--
0028	LAFN06389	897239	ARM, PARALLELOGRAM	1,00			--
0031	VTDD01694	897138	NUT M6 INOX	2,00			--
0032	VTRS13947	897152	WASHER, D.8, UNI6592, INOX	1,00			--
0033	MPVR05186	897240	COVER	1,00			--
0034	VTRS15978	897215	WASHER, D.12X24, UNI6592, INOX	4,00			--
0035	VTDD00176	897241	NUT, M.12, INOX, A2	3,00			--
0036	VTVT00836	897242	SCREW TE M12, 60 INOX	1,00			--
0037	VTRS13947	897152	WASHER, D.8, UNI6592, INOX	4,00			--
0038	VTRS15978	897215	WASHER, D.12X24, UNI6592, INOX	2,00			--
0040	VTDD01694	897138	NUT M6 INOX	5,00			--
0041	VTRS00245	897106	WASHER D.6 UNI 6592 INOX	1,00			--
0042	VTVT00410	897243	SCREW TE M8x35 UNI5739 INOX	1,00			--
0043	VTVT15371	897244	SCREW, TE, M8X45, INOX, A2	1,00			--
0044	MPVR05134	897568	GASKET, 12B 60D	1,00			--
0045	VTRS00245	897106	WASHER D.6 UNI 6592 INOX	1,00			--
0046	VTDD15521	897229	NUT, M8, UNI5588, INOX, A2	2,00			--



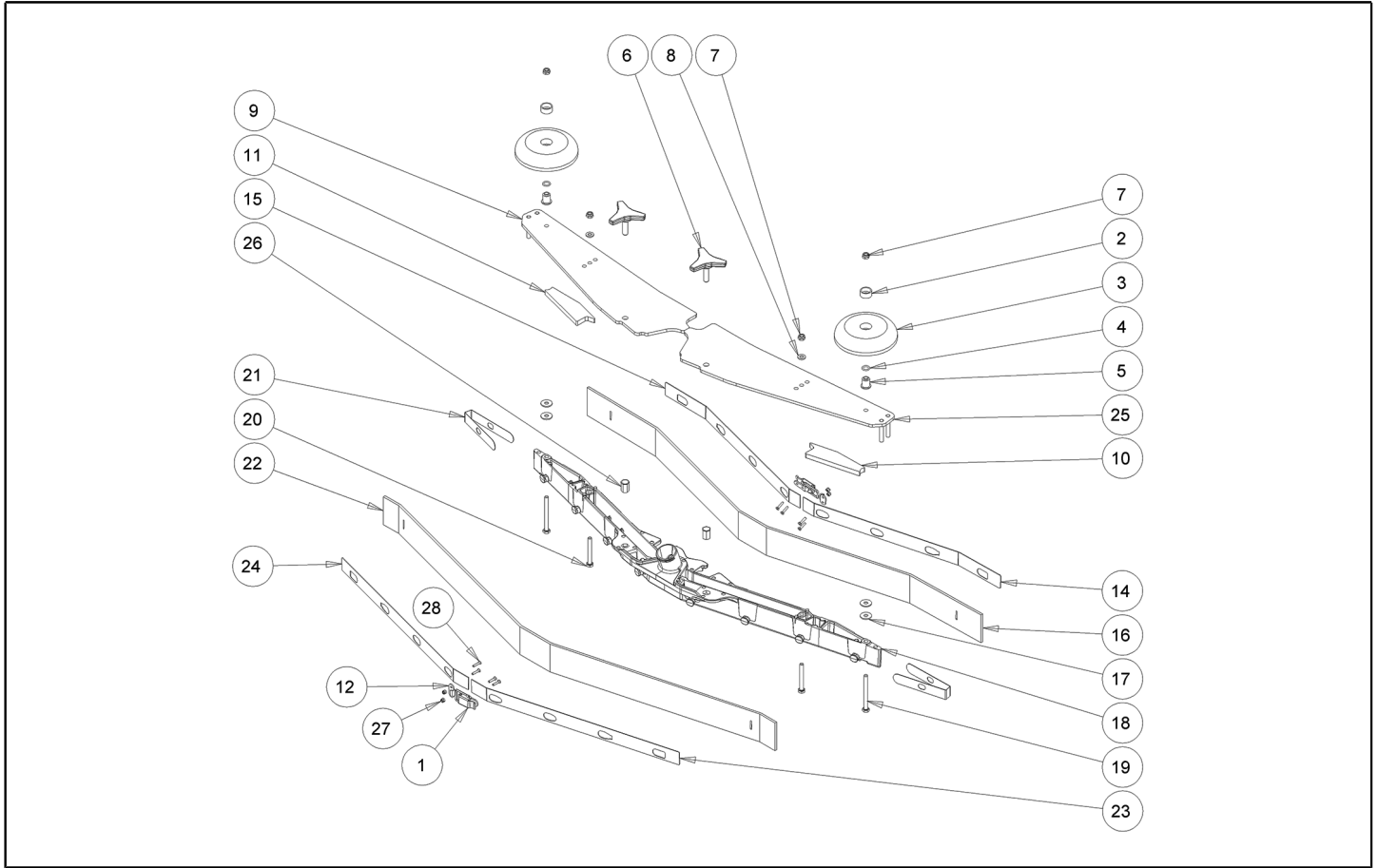
Ref. K	Part N.	Part N. 2	Description	Quantity	Validity		Price
					From	To	
0047	VTVT13937	897246	SCREW, TE, M8X30, UNI5739, INOX	2,00			--
0050	VTRS09142	897247	WASHER, D. 12X36X2.5, UNI6593	1,00			--
0051	LAFN35747	897248	SPRING SUPPORT LAV. E/B 450	1,00			--
0052	VTVT13937	897246	SCREW, TE, M8X30, UNI5739, INOX	1,00			--
0053	VTDD01695	897124	NUT, M8, INOX	1,00			--
0054	MLML00338	897249	SPRING	1,00			--
0055	VTRS13945	897112	WASHER D. 6X18 INX UNI 6593	1,00		27/03/2018	--
0055	LAFN06391	897218	BUSHING BRUSH DECK SUPPORT	1,00	28/03/2018		--
0056	VTDD01694	897138	NUT M6 INOX	1,00			--
0057	VTDD00053	897250	NUT, M6, UNI5589, INOX	2,00			--
0058	LAFN09231	897251	BRACKET, M6X11X29	1,00			--
0060	VTVT01008	897252	SCREW, M6X110	1,00			--
0061	VTVT01009	897253	SCREW, M8X60	1,00			--
0062	MFVR00227	897254	SUPPORT SQUEEGEE	1,00			--
0063	VTRS00274	897157	WASHER NYLON 66 D. 84X17X2	2,00			--
0064	MPVR06069	897255	WASHER, M15X40	1,00			--
0065	VTRS15919	897544	WASHER, D.12, GROVER, UNI1751, INOX	1,00			--
0079	VTRS15146	897216	WASHER, D. 8, GRW, UNI1751, INOX	1,00			--
0080	VTRS09142	897247	WASHER, D. 12X36X2.5, UNI6593	2,00			--



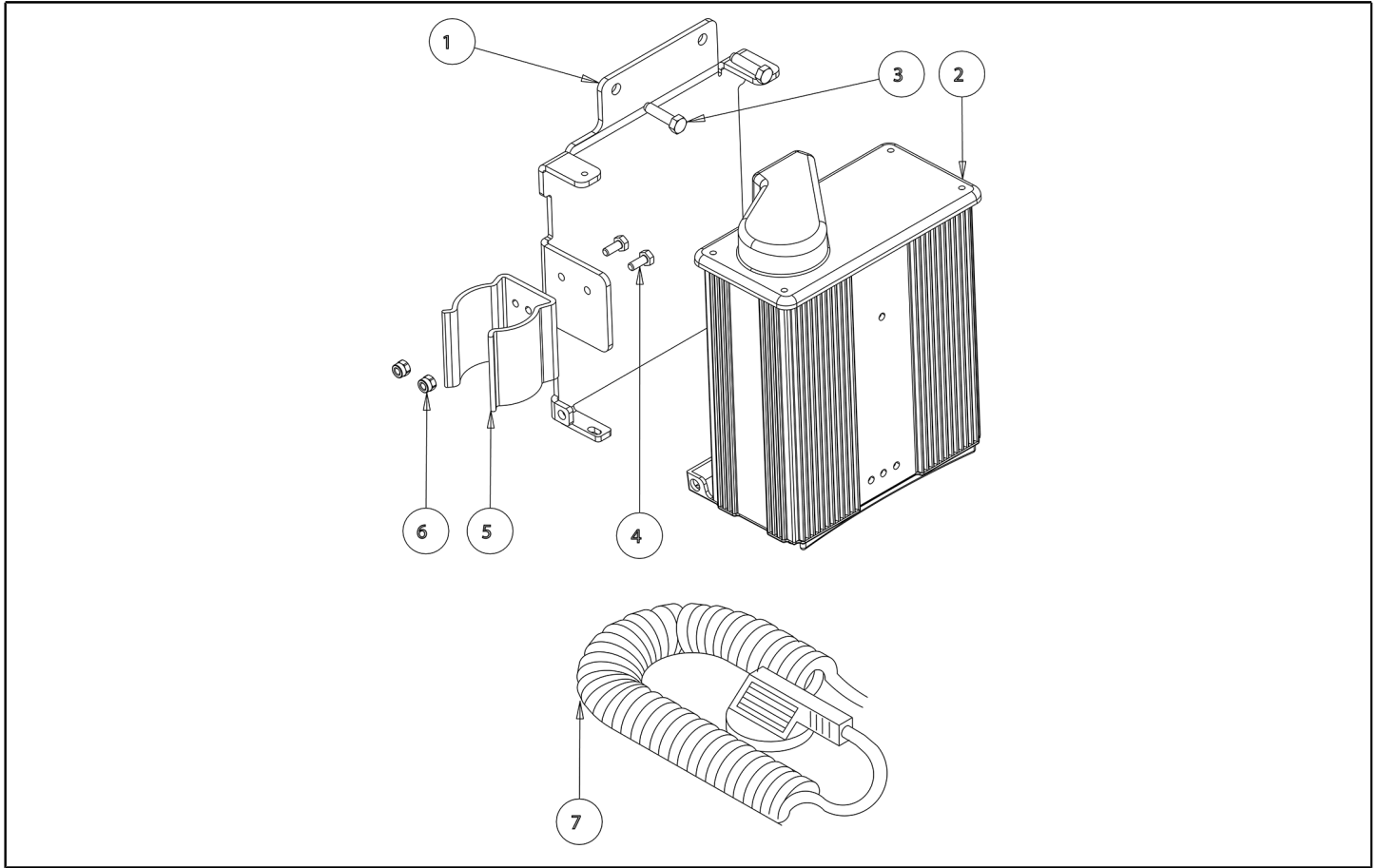
Ref. K	Part N.	Part N. 2	Description	Quantity	Validity		Price
					From	To	
0001	TBFX48011	897256	TUBE FLEX D.12X3 ARMORV.PVC TR	0,71			--
0002	FSVR00261	897257	CLAMP	2,00			--
0003	FTAC00076	9018584	FILTER, WATER, SOLNT, COMPL	1,00			--
0004	VTRS00515	897156	WASHER D. 4 INX	2,00			--
0005	MEEV00036	9017718	VALVE, WATER, SOLENOID, 24VDC	1,00			--
0006	LAFN08230	9018512	SCREW, M20, SS	1,00			--
0010	GUGO00462	897261	GASKET OR 21.2X3	1,00			--
0017	TBFX48011	897256	TUBE FLEX D.12X3 ARMORV.PVC TR	0,17			--
0019	VTVT01158	897262	SCREW, M4X16	2,00			--



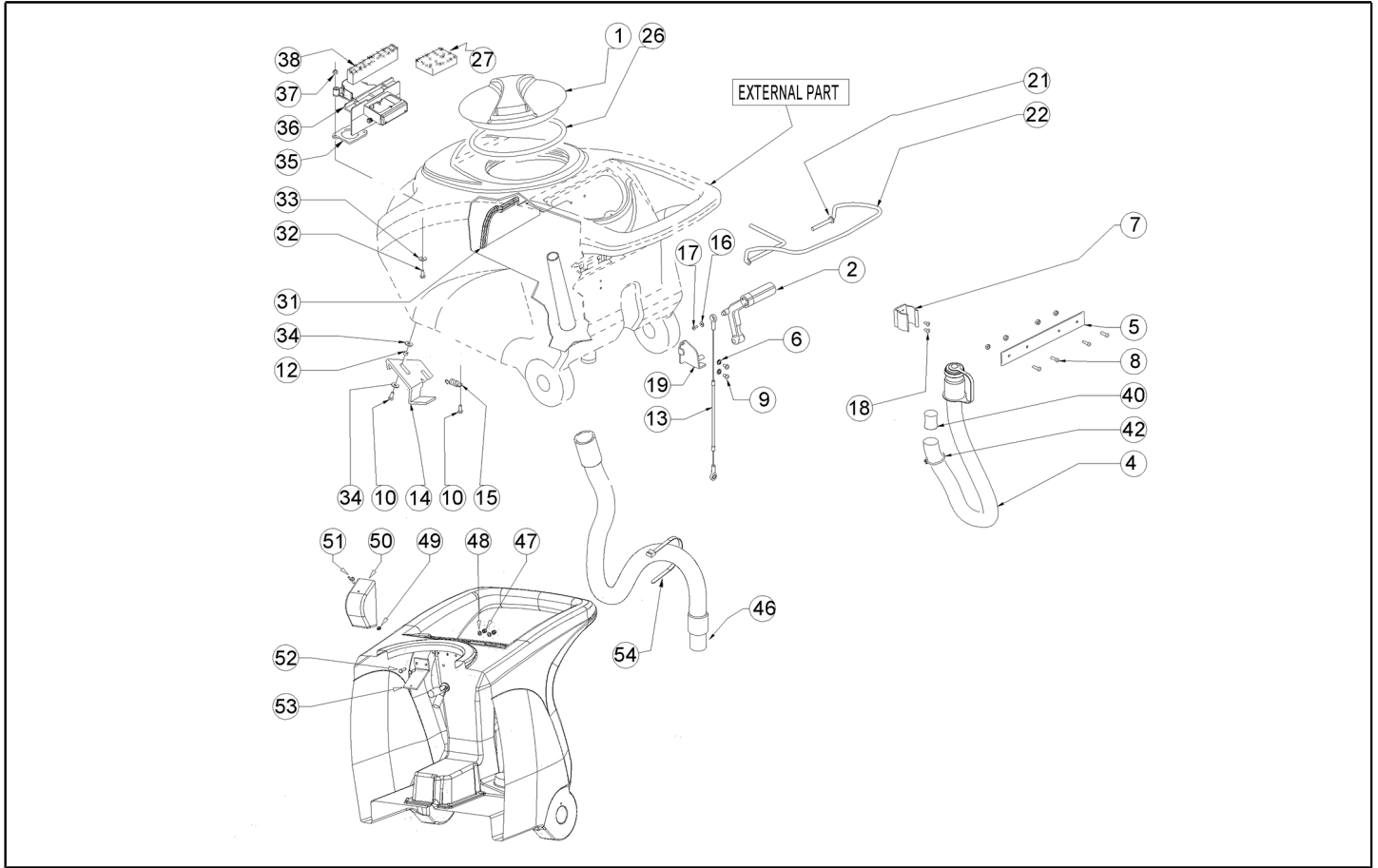
Ref. K	Part N.	Part N. 2	Description	Quantity	Validity		Price
					From	To	
0001	MPVR05280	897266	CLIP, M25	1,00			--
0002	VTVT19236	897267	SCREW, M5X20, TCCE, UNI5931, ZB	1,00		27/02/2019	--
0002	VTVT00339	VTVT00339	SCREW TCEI M5x20	1,00	28/02/2019		--
0003	RCVR00483	897268	CONNECTOR 3 VIE	1,00			--
0004	RCVR00353	897269	CAP 1/2"G X ELETTR. ACL	1,00			--
0005	GUGO00268	897270	GASKET D.21 SP.3 GOMMA	1,00			--
0006	RCVR00590	897271	CONNECTOR 1/2 M RESCA 15	1,00			--
0007	TBFX01215	897272	TUBE, D.30X12X17	1,00			--
0008	FSVR00256	897273	CLAMP	1,00			--
0016	TBBP00435	897274	TUBE, D.16	1,00			--



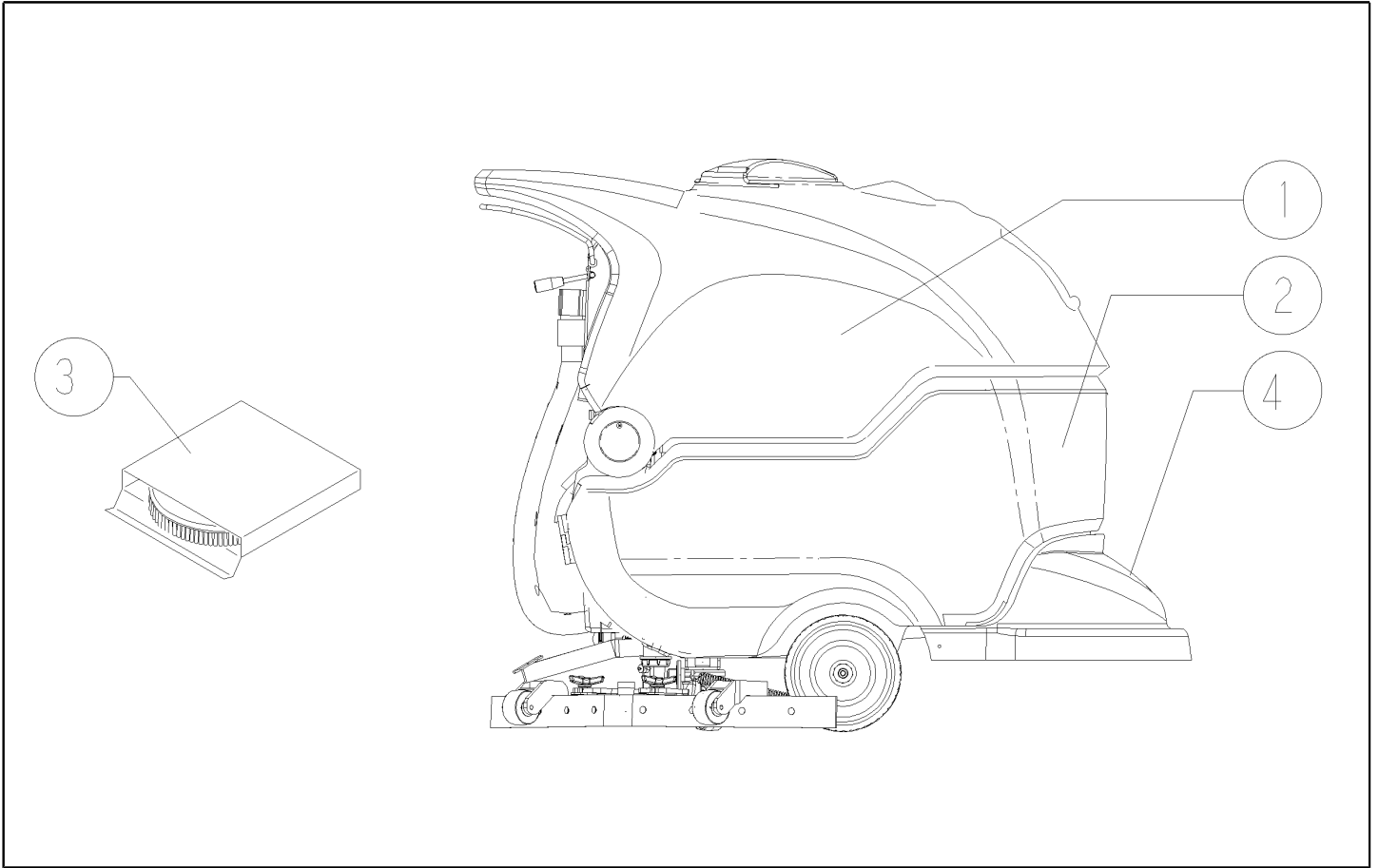
Ref. K	Part N.	Part N. 2	Description	Quantity	Validity		Price
					From	To	
0001	LAFN09302	9018492	LATCH, STRAP, SQGE	2,00			--
0002	MPVR49229	897100	SLEEVE, NYLON, 0,314b 0,72d 0,35l	2,00			--
0003	MPVR05290	897101	WHEEL, BMPR, 98,5d X 21,5W	2,00			--
0004	GUGO00164	897102	O-RING, 13,00 Od X 10,00 Id	2,00			--
0005	LAFN04100	897103	SPACER, 6,00b 12,00d 16,5l, CPR	2,00			--
0006	MPVR06004	897104	KNOB, TRI, M8x35 [YEL]	2,00			--
0007	VTDD01700	897105	NUT M6 INOX+ZIN.	2,00			--
0008	VTRS00245	897106	WASHER D.6 UNI 6592 INOX	2,00			--
0009	LAFN09012	897107	PLATE	1,00			--
0010	GUVR00301	897108	GASKET	1,00			--
0011	GUVR00300	897109	GASKET	1,00			--
0012	LAFN09301	9018495	HOOK, STRAP, SQGE	2,00			--
0014	LAFN09279	897110	BLADE HOLDER S SIZE ANT. RIGHT	1,00			--
0015	LAFN09280	897561	STRAP, SQGE, S, REAR, RH	1,00			--
0016	MPVR06543	9017699	BLADE, SQGE, FRONT, 880L, LINATEX	1,00			--
0017	VTRS13945	897112	WASHER D. 6X18 INX UNI 6593	4,00			--
0018	KTRI02048	897113	BODY SQUEEGEE PRESSOFUSO "S"	1,00			--
0019	VTVT00841	897114	SCREW, M6X65, SS	2,00			--
0020	VTVT15515	897115	SCREW, M6X55, SS	2,00			--
0021	MPVR05897	897116	CLOSURE S	2,00			--
0022	MPVR06544	9017702	BLADE, SQGE, REAR, 900L, LINATEX	1,00			--
0023	LAFN09281	9018493	STRAP, SQGE	1,00			--
0024	LAFN09283	9018494	STRAP, SQGE	1,00			--
0025	LAFN09013	897117	PLATE	1,00			--
0026	VTVR00565	897118	INSERT	2,00			--
0027	VTDD00210	9018496	NUT M 3 AUTOBL.DIN 985 IX.A2	8,00			--
0028	VTVT01070	9018497	BOLT, STRAP, SQGE	8,00			--



Ref. K	Part N.	Part N. 2	Description	Quantity	Validity		Price
					From	To	
0001	LAFN07333	897275	BRACKET	1,00			--
0002	BACA00255	N/A	BATTERY-CHARGER CBHD1 24V 10A 100/240V	1,00			--
0003	VTVT07726	897170	SCREW TE 5X20	2,00			--
0004	VTVT21096	897151	SCREW TE M 4X 10 INX	2,00			--
0005	MPVR46988	9017721	CLIP, HOSE, RECVM	1,00			--
0006	VTDD00055	897276	NUT M 4 ATB A2	2,00			--
0007	MECB02065	MECB02065	CORD, POWER, CHRGR [S7 ANZ]	1,00			--



Ref. K	Part N.	Part N. 2	Description	Quantity	Validity		Price
					From	To	
0001	MPVR12975	N/A	TANK CAP RAL7024	1,00			--
0002	MPVR49942	9017688	LEVER, LIFT, SQGE	1,00			--
0004	TBFX01299	N/A	HOSE DRAIN PU MY'21 CT40/70/90	1,00			--
0005	LAFN05865	897144	PLATE COPRILEVA CONSENSO	1,00			--
0006	VTRS15908	897644	WASHER D. 5 INX GRW UNI 1751	2,00			--
0007	MPVR46988	9017721	CLIP, HOSE, RECVY	1,00			--
0008	VTVT07725	897145	SCREW TE 5X16 UNI5739 INX	4,00			--
0009	VTVT01300	897459	SCREW, M5X12, TE, INOX	2,00			--
0010	VTVT15143	897128	SCREW TE 6X16 UNI5739	3,00			--
0012	LAFN03626	897146	SPACER	1,00			--
0013	CMCV00464	9017715	CABLE, LIFT, SQGE	1,00			--
0014	LAFN06490	897147	HANDLE	1,00			--
0015	MLML00203	897148	SPRING	1,00			--
0016	VTRS00251	897149	WASHER 4-16 INOX A2	1,00			--
0017	VTVT00800	897150	SCREW, TC, M4X12, ZN	1,00			--
0018	VTVT21096	897151	SCREW TE M 4X 10 INX	2,00			--
0019	LAFN05870	9018371	BRACKET, LIFT, SQGE	1,00			--
0021	VTRS13947	897152	WASHER, D.8, UNI6592, INOX	2,00			--
0022	LAFN09339	897153	LEVER HANDLE ACTIVATION	1,00			--
0026	GUGO00263	9017711	SEAL, COVER, RECVY TANK	1,00			--
0027	FTDP00133	9017713	FILTER, VACUUM	1,00			--
0031	MPVR07074	897154	PLATE	1,00			--
0032	VTVT00814	897155	SCREW, TE, M.4X25	2,00			--
0033	VTRS00515	897156	WASHER D. 4 INX	2,00			--
0034	VTRS00274	897157	WASHER NYLON 66 D. 84X17X2	4,00			--
0035	GUGO00417	897158	GASKET SCATOLA ASPIRAZIONE	1,00			--
0036	MPVR05482	897159	BOX	1,00			--
0037	VTDD15925	897160	NUT, M4, INOX, ZN	2,00			--
0038	GUGO00418	897161	GASKET CONDOTTO ASPIRAZIONE	1,00			--
0040	GUGO00245	897162	GASKET	2,00		28/09/2020	--
0042	FSVR00095		CLAMP 30-45	1,00			--
0046	TBFX00352	897164	TUBE, SUCTION, PU	1,00		22/05/2018	--
0046	TBFX00353	N/A	TUBE SUCTION CT40-51-55-70-90	1,00	23/05/2018		--
0047	VTDD01693	VTDD01693	NUT, M5, INOX	2,00			--
0048	VTRS00516	897166	WASHER, D. 5, INOX	4,00			--
0049	VTVR01038	897167	WASHER	1,00			--
0050	MPVR05596	897168	PROTECTION	1,00			--
0051	VTVT01150	897169	SCREW, M4X10	1,00			--
0052	VTVT07726	897170	SCREW TE 5X20	2,00			--
0053	LAFN07631	897171	BRACKET	1,00			--
0054	FSVR00248	897172	CLAMP	1,00			--



Ref. K	Part N.	Part N. 2	Description	Quantity	Validity		Price
					From	To	
0001	MPVR12900	N/A	TANK RECOVERY PT40 BLUE 5021	1,00			--
0002	MPVR12974	N/A	TANK SOLUTION PT40 BLUE 5021	1,00			--
0003	SPPV00317	9017710	DRIVER ASSY, PAD, 50CM	1,00			--
0004	MPVR12973	N/A	BRUSH PROTECT. 55 RAL7024	1,00			--