



# T981 Floor Scrubber (Disk Model) Quick guide



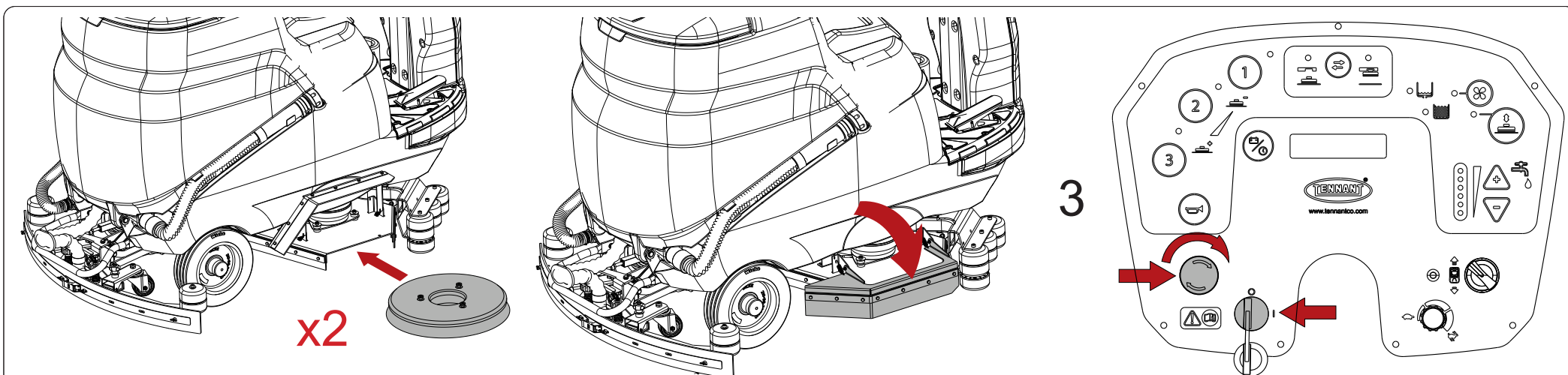
This guide is intended for quick consultation only and does not replace the user and maintenance manual. Before using the machine, read the user and maintenance manual contained in the machine's packaging thoroughly and strictly follow all the instructions.

## PREPARATION & OPERATION

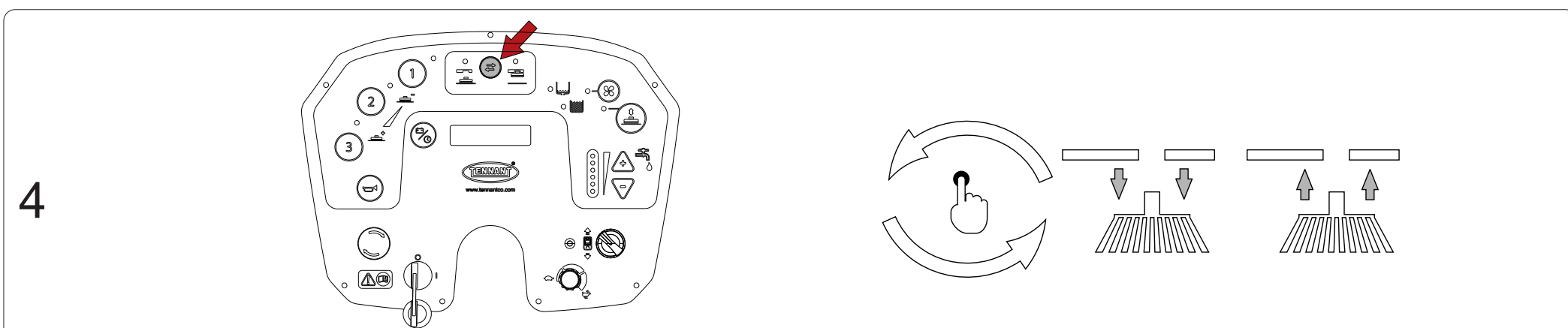


1 | 2

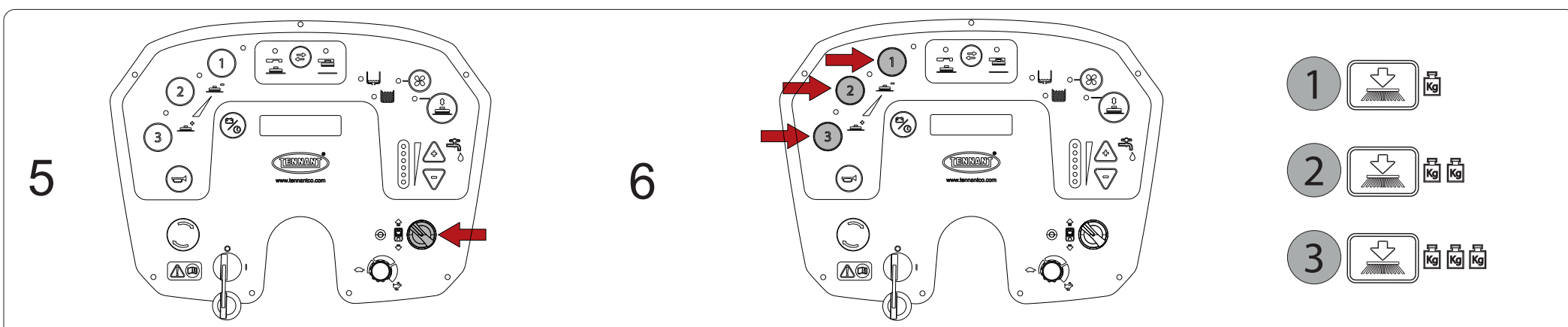
H<sub>2</sub>O + CHEM | (See backside)



x2 | ON

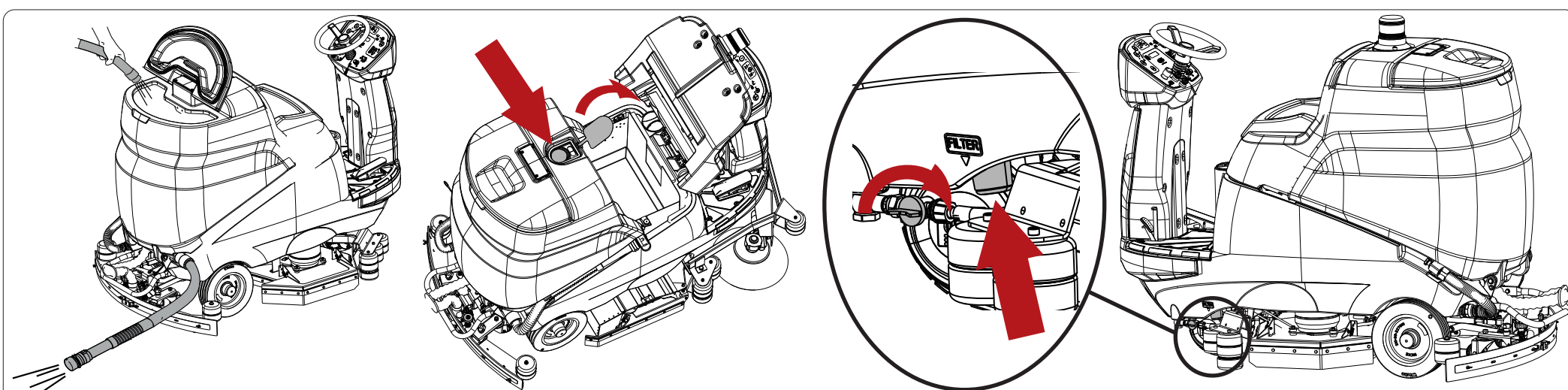
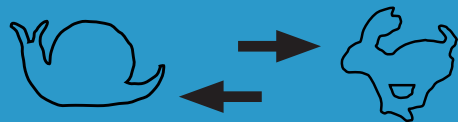
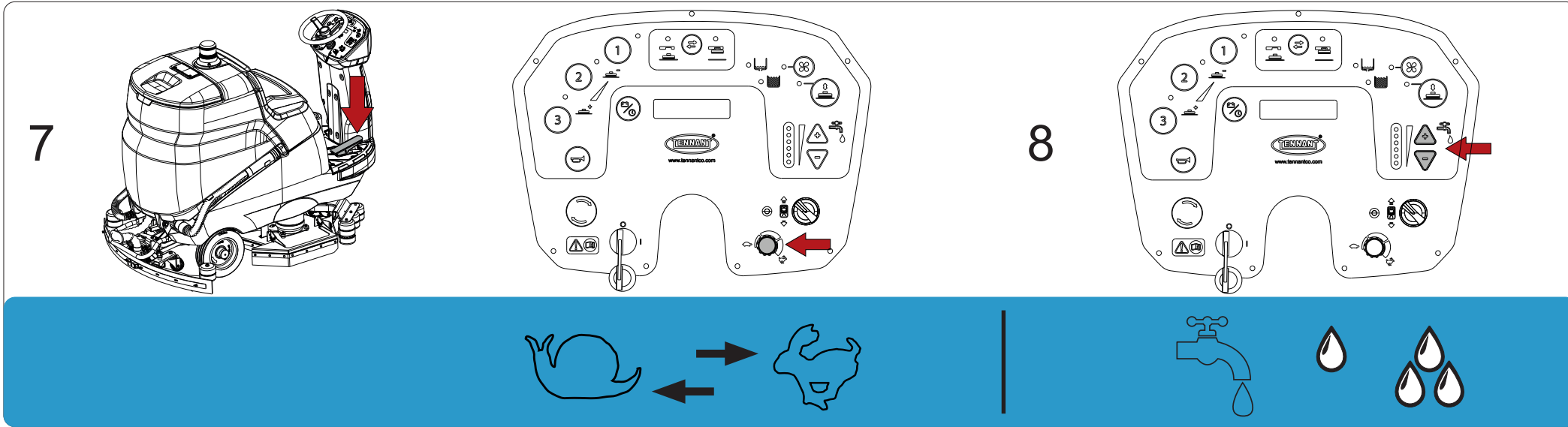


4



5 | 6

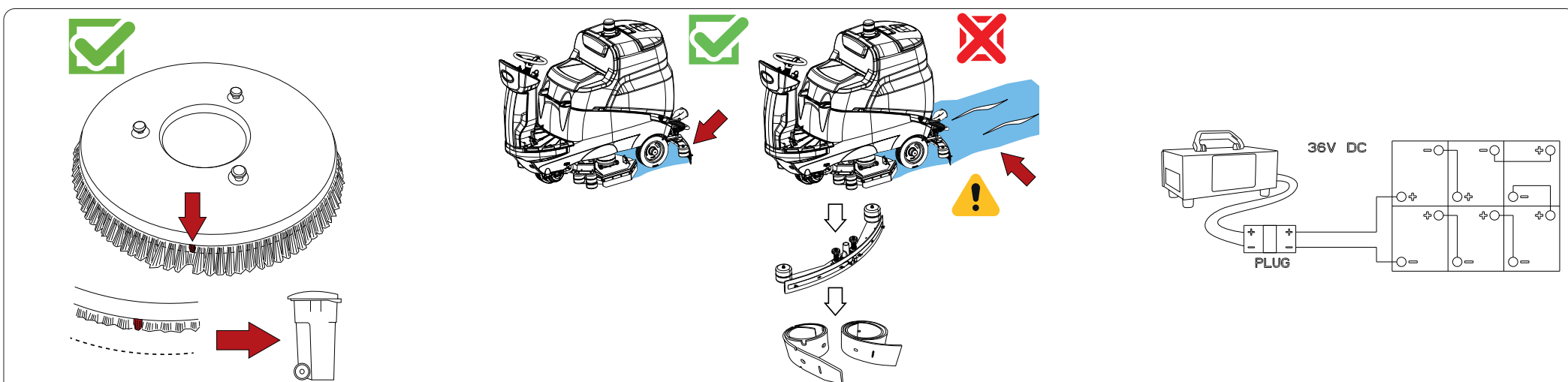
← → | AUTO



Clean the dirty water tank.

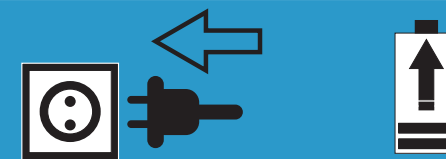
Check the suction filter is undamaged and clean.

Check that the detergent outlet filter is clean.



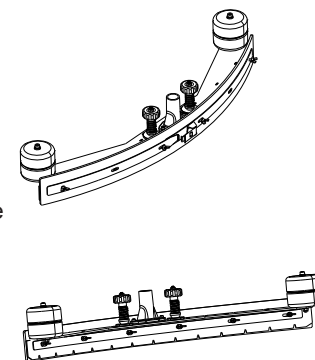
Check that the brushes are clean. Replace if necessary.

Check that the squeegee is clean and the blades are not worn.



## REPLACING THE SQUEEGEE BLADES

- Remove the suction hose from the squeegee.
- Remove the squeegee from its mount by unscrewing the two knobs completely.
- Release the locking catch and unscrew the nuts for the rear blade; for the front blade, unscrew the nuts.
- Remove the blade retainers.
- Remove the blade.
- Refit the same rear blade, switching it around so that all four edges in turn are placed in contact with the floor, until all are worn out, proceeding likewise for the front blade, in this case until the two edges are worn out; alternatively, replace with a new blade, fitting it to the screws on the body of the squeegee.
- Refit the blade retainers.
- Refit the locking catch and retighten the nuts for the rear blade, and for the front blade, retighten the nuts.
- Replace the squeegee on its mount.



## ATTACHING/REMOVING THE BRUSHES

### Attaching the Brush

- Raise the access flaps on both sides and position the brushes underneath the housing, making certain that they rest against the locating stops to align them with the coupling assembly.
- Turn the ignition key to switch the machine on.
- Press the Attach/release brush button, the machine will first perform a release operation, which immediately enables the coupling operation; now the machine is ready for the coupling step, which can be accomplished by pressing the brush coupling and release button again.

### Removing the Brush

- Turn the ignition key to switch the machine on.
- Press the Attach/Release brush button, and the machine will perform the release operation;
- lift the side flaps on both sides and remove the brushes from under the head.