

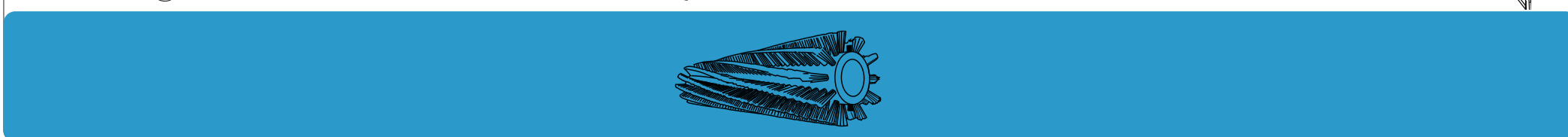
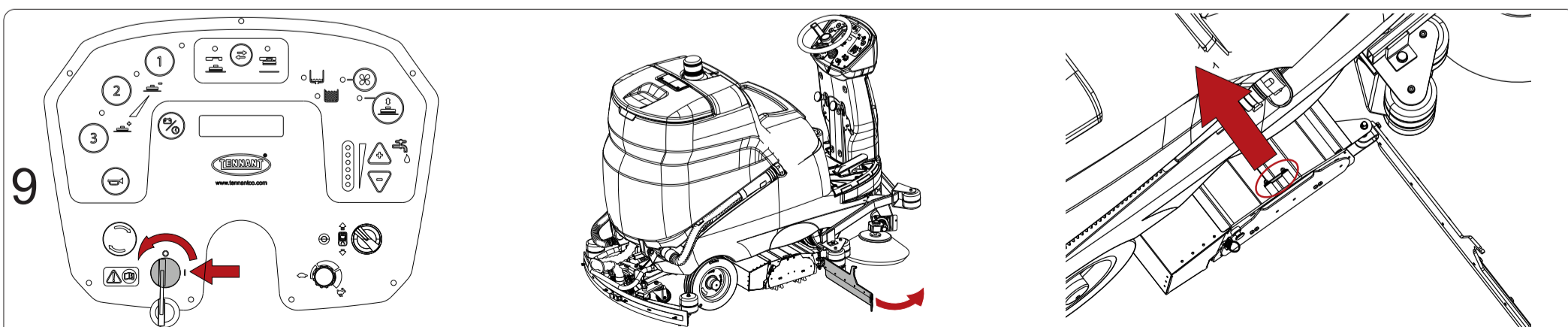
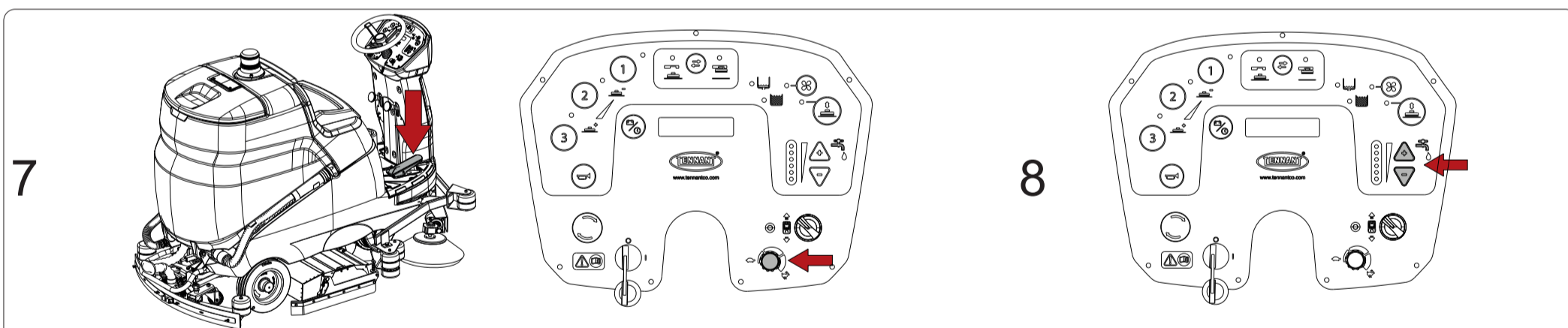
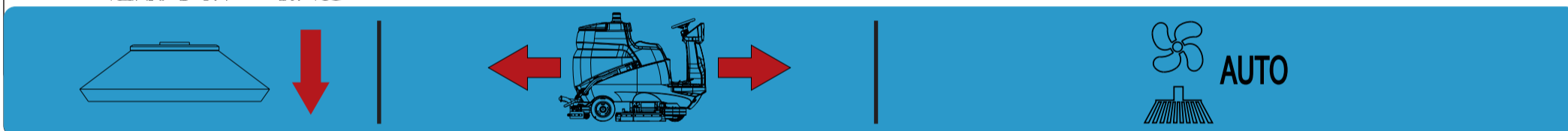
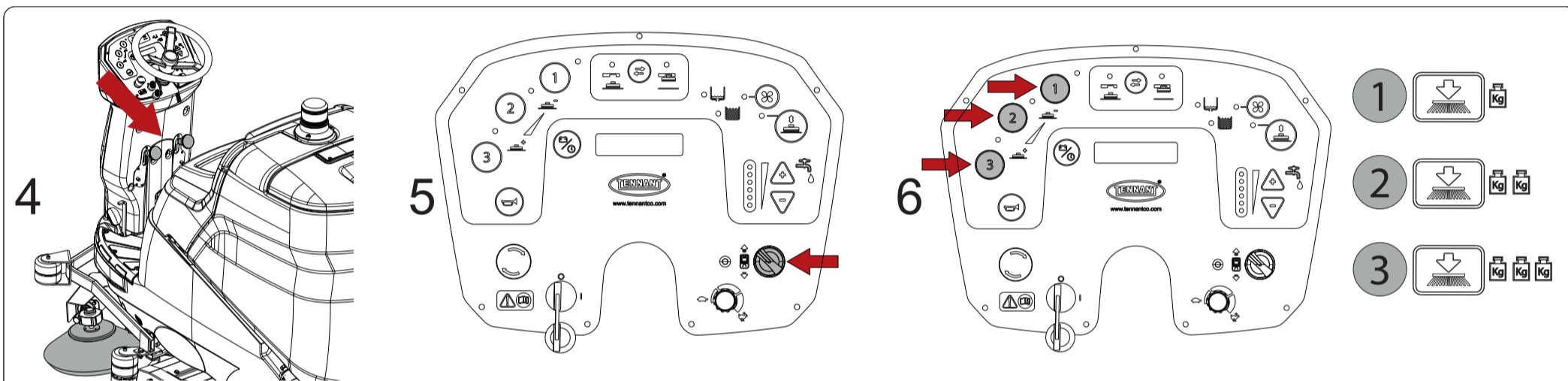
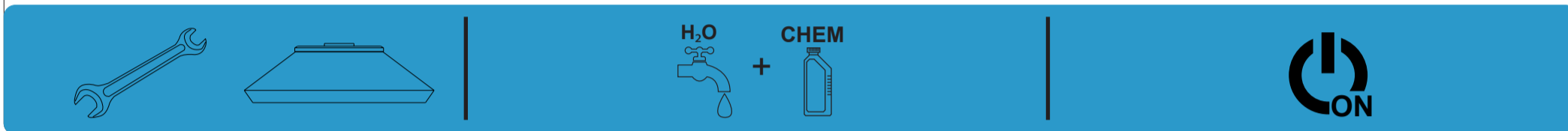
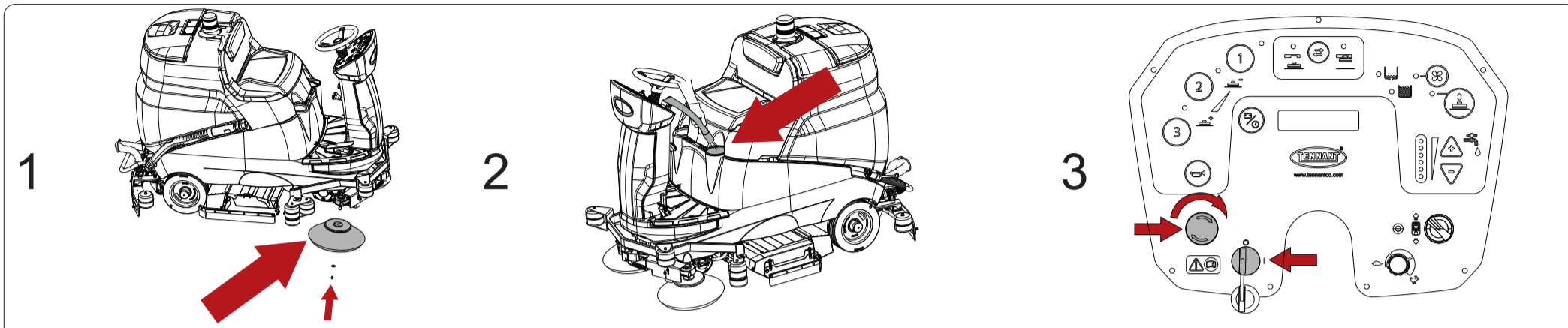


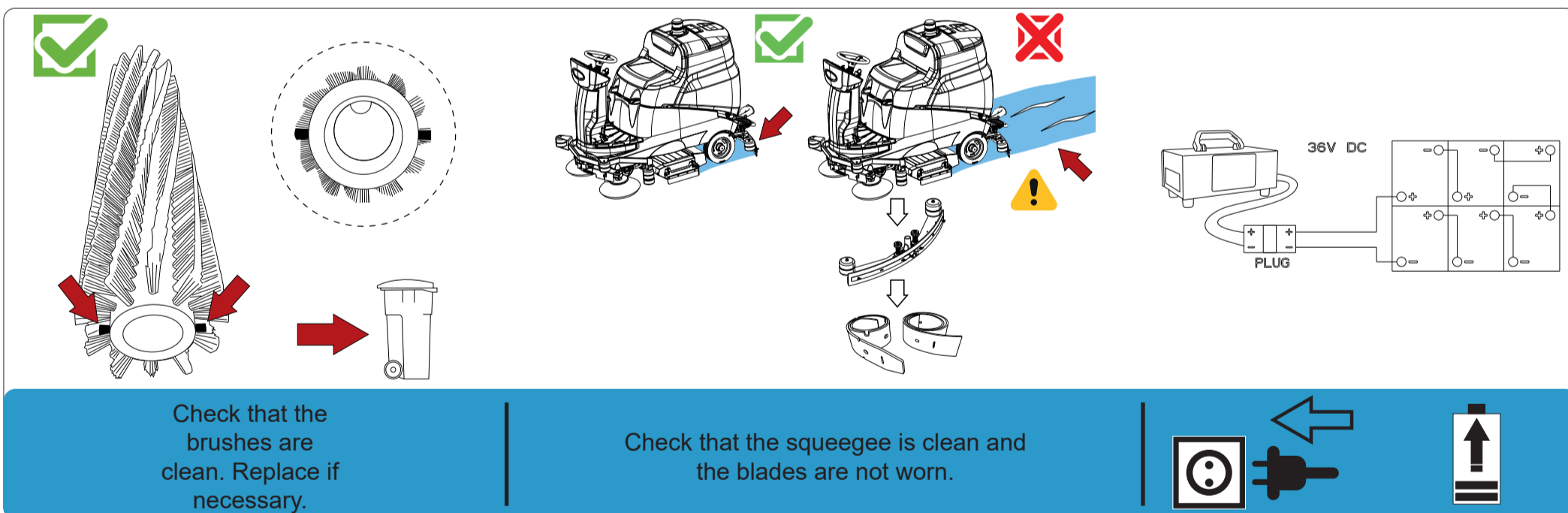
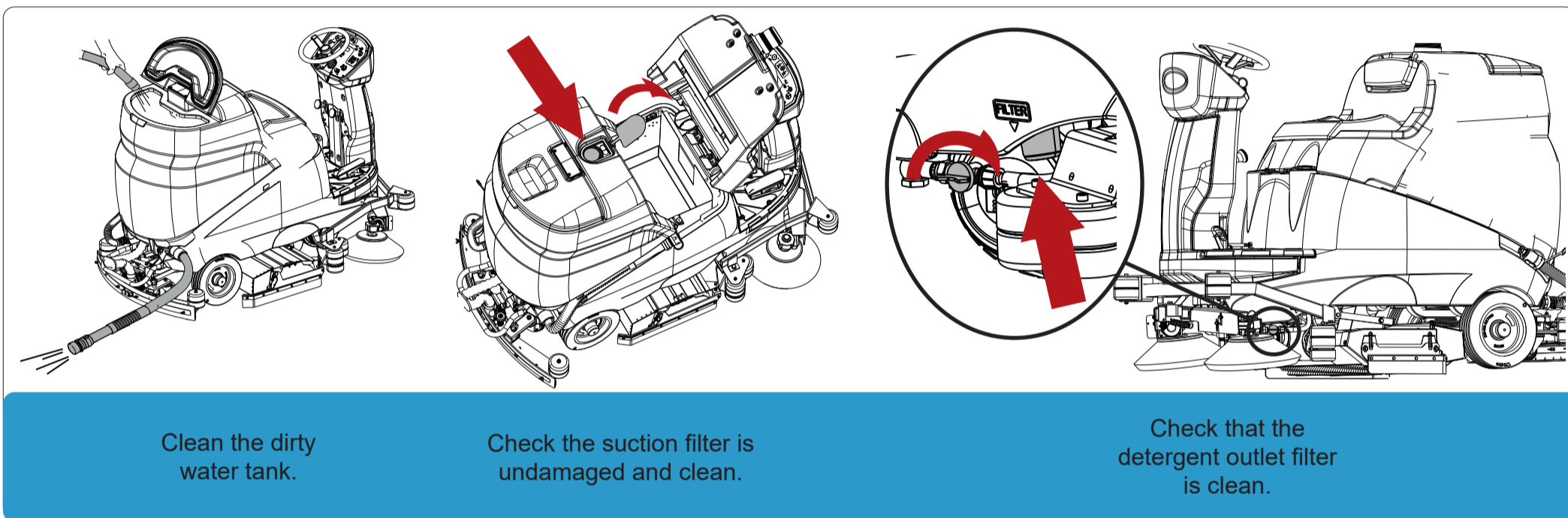
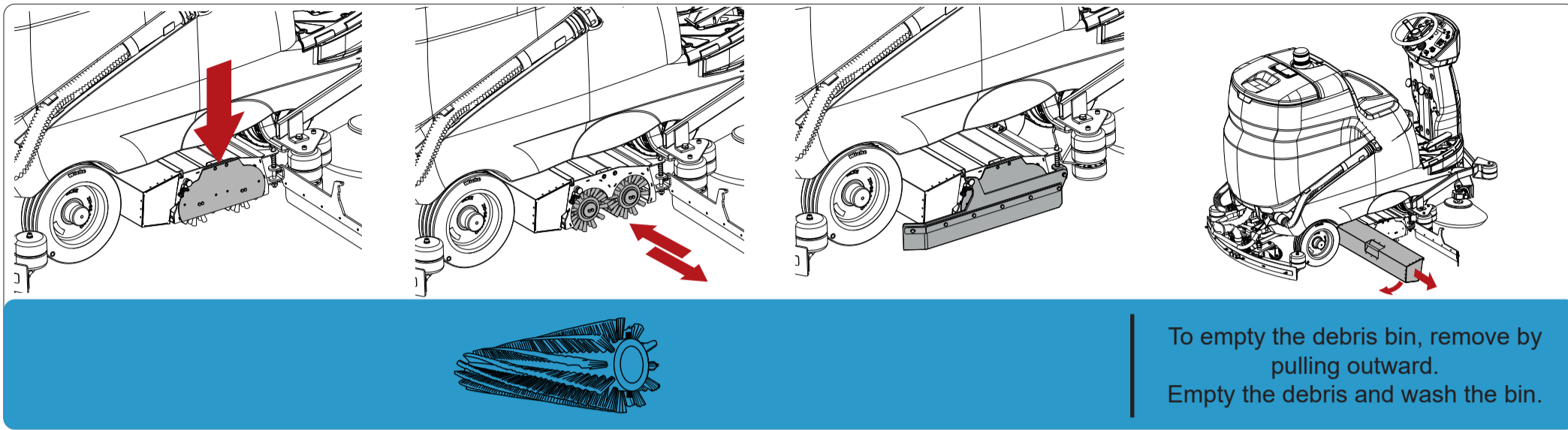
T981 Floor Scrubber (Cylindrical Brush Model) Quick guide



This guide is intended for quick consultation only and does not replace the user and maintenance manual. Before using the machine, read the user and maintenance manual contained in the machine's packaging thoroughly and strictly follow all the instructions.

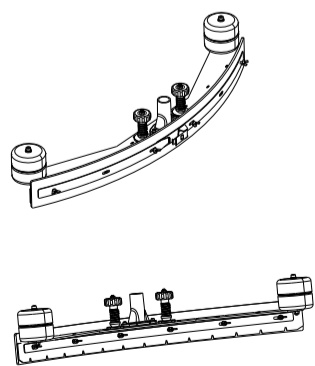
PREPARATION & OPERATION





REPLACING THE SQUEEGEE BLADES

- Remove the suction hose from the squeegee.
- Remove the squeegee from its mount by unscrewing the two knobs completely.
- Release the locking catch and unscrew the nuts for the rear blade; for the front blade, unscrew the nuts.
- Remove the blade retainers.
- Remove the blade.
- Refit the same rear blade, switching it around so that all four edges in turn are placed in contact with the floor, until all are worn out, proceeding likewise for the front blade, in this case until the two edges are worn out; alternatively, replace with a new blade, fitting it to the screws on the body of the squeegee.
- Refit the blade retainers.
- Refit the locking catch and retighten the nuts for the rear blade, and for the front blade, retighten the nuts.
- Replace the squeegee on its mount.



ATTACHING/REMOVING THE BRUSHES

Attaching the Brush

- Open the right side flap by releasing the spring.
- Remove the cover from the brush compartment by pulling the release lever.
- Position the roller brushes in the two compartments, making certain that the guide pin on the opposite side is correctly located.
- Refit the cover and close the side flap.

Removing the Brush

- Repeat the steps described above in reverse order.