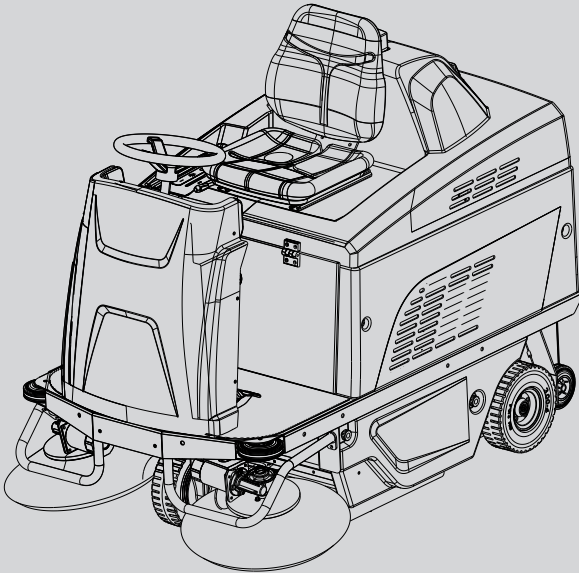




# S780

**BATTERY SWEEPER**

**OPERATOR'S MANUAL (EN)**



**Model Part No.:**  
MSUB00727 - SWEEPER [S780, 180AH GEL, ANZ]



**ANZ**



To view, print or download  
the parts manual, visit:  
[www.tennantco.com/manuals](http://www.tennantco.com/manuals)

[www.tennantco.com](http://www.tennantco.com)

**PLDC04952**  
**Rev. 01 (02-2024)**

# TABLE OF CONTENTS

<b>IMPORTANT SAFETY PRECAUTIONS</b> .....	<b>3</b>
<b>SAFETY SYMBOLS</b> .....	<b>6</b>
<b>TECHNICAL SPECIFICATIONS</b> .....	<b>7</b>
<b>MACHINE DIMENSIONS</b> .....	<b>9</b>
<b>GENERAL INFORMATION</b> .....	<b>10</b>
Purpose of this manual .....	10
Identifying the machine .....	10
Documentation provided with the machine .....	10
<b>TECHNICAL INFORMATION</b> .....	<b>11</b>
General description .....	11
Main parts of the machine .....	11
Control panel.....	12
Accessories.....	12
<b>HANDLING AND INSTALLATION</b> .....	<b>13</b>
Lifting and transporting the palletized machine.....	13
Inspection on delivery .....	13
Unpacking .....	13
If not retained, the packaging must be disposed of in compliance with current regulations. ....	13
Batteries .....	14
Setting the battery type on the machine .....	14
WET batteries, preparation: .....	15
Batteries: installation and connection.....	15
OFF-BOARD battery charger settings .....	16
Preparation of OFF-BOARD battery charger .....	16
Fitting the side brush .....	16
<b>PRACTICAL GUIDE FOR THE OPERATOR</b> .....	<b>17</b>
Clothing and equipment .....	17
Before starting the machine .....	17
Preparing the machine for work .....	17
Working .....	17
Service brake and parking brake .....	19
During operation of the machine .....	19
Emergency stop button .....	20
Safety thermostat .....	20
Battery charge indicator .....	20
Emptying the debris bin .....	20
Moving the machine when not in operation.....	21
<b>MAINTENANCE INSTRUCTIONS</b> .....	<b>22</b>
Maintenance - General rules .....	22
Cleaning the suction motor air filter.....	22
Fuses: .....	23
Battery maintenance .....	23
Checking the electrolyte level of WET batteries.....	24
Recharging the batteries .....	24
Battery: removal .....	25
Replacing the centre brush .....	25
Adjusting the centre brush for wear .....	26
Adjusting the side brushes for wear .....	26
Periodic checks .....	27
<b>PERIODS OF INACTIVITY</b> .....	<b>27</b>
<b>TROUBLESHOOTING</b> .....	<b>28</b>
<b>ALARMS/WARNINGS DISPLAYED</b> .....	<b>29</b>
<b>USER MENU</b> .....	<b>30</b>
<b>RECOMMENDED SPARE PARTS</b> .....	<b>31</b>

# **IMPORTANT SAFETY** **PRECAUTIONS**

Parts of the text requiring special attention are printed in bold and preceded by the symbols illustrated and described below.



## **! DANGER:**

Indicates the need for care in order to avoid serious consequences that could lead to the death of personnel, or to situations representing a possible health and safety hazard.

## **! ATTENTION:**

Indicates the need for care in order to avoid serious consequences that could involve harm being done to the machine or to the workplace, or lead to economic losses.



**! DANGER:** If lead-acid (WET) batteries are installed in the machine, keep sparks, flames and smoking materials away from the batteries. Explosive gases can escape during normal use, particularly when recharging the batteries.



**! DANGER:** If lead-acid (WET) batteries are installed in the machine, charging the batteries produces highly explosive hydrogen gas. Keep the seat cowling tilted toward the steering wheel throughout the battery charging cycle and carry out this procedure only in well-ventilated areas, away from naked flames.



**! DANGER:** Do not operate the machine in the presence of flammable liquids or vapours, or combustible powders.



**! DANGER:** Never pick up toxic materials.



**! DANGER:** Never pick up burning or incandescent objects.



**! DANGER:** This machine must not be used on floors where there are hazardous coatings / finishes / materials.

**! ATTENTION:** Never use the machine on wet surfaces.

Do not use the machine:

- without having read the operating and maintenance manual.
- without having been trained in its use.
- without having been specifically entrusted with its use.
- if legally under age.
- without the debris bin and/or filter in place.
- if the machine is not working properly.
- in places without adequate lighting.
- in explosive environments.
- on public roads.
- where there is dirt that can be harmful to health (dust, gas, etc.).
- where there is danger of falling objects, unless the machine is equipped with an overhead protective structure.
- In areas that are too dark to see the controls or operate the machine in safety.

Clothing and equipment:

- Wear safety shoes with non-slip soles.
- Wear protective eyewear or visor and safety garments.
- Depending on the surface being cleaned and on the environment, the protective measures necessary for atomized sprays include respiratory masks with class FFP2 or equivalent or higher protection.

Before starting the machine:

- Check that the machine is not damaged.
- Check the operation of the brake.
- Check that all safety devices are in place and operating correctly.

When using the machine:

- The machine must be operated by one person only.
- Park the machine on a flat, level surface.
- Do not allow children to play on or near the machine.
- Do not use the machine to sweep/vacuum up liquids.
- Do not use the machine to pick up wire, string, straps or similar materials.
- Assess the type of building to be swept, e.g. hospitals, industrial premises (pharmaceuticals, chemicals, etc.) and be sure to observe the safety regulations and conditions adopted these facilities.
- The machine must not be used for purposes other than those expressly intended.
- The machine is intended for commercial use, for example in hotels, schools, hospitals, factories, shops, offices and business premises generally. Do not use for other purposes.
- Keep all parts of body within the riding position

while the machine is in motion.

- The machine must be stored only indoors.
- Do not allow the machine to be used as a toy.
- The machine is not designed for towing or being towed.
- Never rest objects of any significant weight on the machine, for whatever reason.
- Never obstruct the air inlet and release vents.
- Never remove, modify or by-pass safety devices.
- During use, atomized spray may form. Inhaling this atomized spray can be harmful to health.
- Work providers must conduct a risk assessment in order to specify the necessary protective measures relating to the formation of atomized sprays, depending on the surface being cleaned and the environment. Masks with class FFP2 or equivalent or higher protection are suitable for preventing the inhalation of atomized spray.
- Keep hands away from moving parts.
- In the case of malfunction and/or faulty operation, turn the machine off immediately (disconnect from the batteries/mains power supply) and do not tamper with it; contact a service centre approved by the manufacturer.
- The machine is designed to operate in temperatures between +4 °C and +40 °C, and can be stored in temperatures between +0 °C and +50 °C when not in use.
- The machine is designed to operate at relative humidity levels between 30% and 95%.
- The machine can operate at altitudes up to 2000 m maximum.
- Use the brake to stop the machine.
- Do not use the machine to clean surfaces on slopes or gradients steeper than indicated on the data plate.
- Do not operate the machine on slopes or gradients steeper than indicated on the data plate.
- When using the machine on gentle gradients, do not move transversely across the slope, but keep the machine on a line parallel to the direction of the incline, manoeuvring carefully and without making U-turns.
- The machine must not be used by persons (including children) with diminished physical, sensory or mental capabilities, or lack of experience and knowledge, unless they are supervised by a person responsible for their safety and have received instruction in the use of the machine.
- Never use the machine to transport people or goods or for towing.
- Do not wear jewellery, watches, ties or other items.
- The operator must always use Personal Protective Equipment: protective apron or

overalls, non-slip waterproof shoes, rubber gloves, protective eyewear and ear defenders, and mask for protection of the respiratory airways.

**Before leaving the machine or before maintenance:**

- Park the machine on a flat, level surface.
- Turn off the machine and remove the ignition key.
- Apply the parking brake.

**When performing maintenance:**

- All operations must be carried out in conditions guaranteeing adequate visibility and lighting.
- Isolate the machine from its power source by disconnecting the batteries.
- Disconnect the battery charger from the machine.
- The operator must always use Personal Protective Equipment: protective apron or overalls, non-slip waterproof shoes, rubber gloves, protective eyewear and ear defenders, and mask for protection of the respiratory airways.
- Do not wear jewellery, watches, ties or other items.
- Do not push or tow the machine without an operator sitting in the driving seat and able to control the steering wheel.
- Protect the batteries from impurities such as metal dust.
- Take care when handling battery acid, and avoid contact. In the event of battery fluid leakage, do not touch the fluid and observe the following precautions: Contact with the skin can cause irritation; wash with soap and water. Inhalation of vapours can cause irritation to the airways; stay out in the open air and consult a doctor. Contact with the eyes can cause irritation; wash the eyes immediately, flooding with water for at least 15 minutes, and consult a doctor.
- Never rest tools on the batteries as they could cause short circuits leading to explosions.
- Always use the battery charger accompanying the machine (if supplied), or if not, a product with specifications as recommended in the technical data.
- Installation of the battery should be entrusted to a TENNANT approved service technician.
- Inspect the power cable of the battery charger periodically to ensure that it is not damaged; in the event of damage being discovered, the appliance cannot be used. Replacement of the cable should be entrusted to a TENNANT approved service technician. Detach both connections of the battery charger (AC side and DC side).
- Do not tug at the battery charger cable to



disconnect it from the socket: grip the plug firmly and pull.








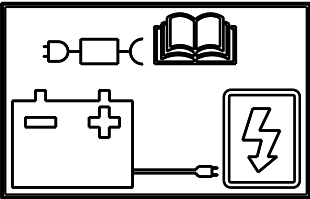
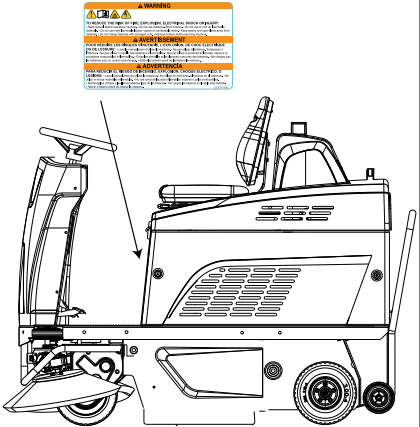
- Never wash the machine with water jets.
- Cleaning and maintenance operations that can be performed by the user must not be entrusted to children unless under supervision.
- All repairs must be carried out by a TENNANT approved service technician.
- Use only original accessories and spare parts supplied exclusively by the manufacturer, as only these are able to guarantee safe and trouble-free operation of the machine.
- Never use parts removed from other machines or from other kits.

When the machine is to be loaded onto or unloaded from a vehicle:

- Empty the debris bin before loading the machine.
- Do not drive the machine on a slippery ramp.
- Take particular care when operating the machine on ramps.
- Turn off the machine and remove the ignition key.
- Lock the wheels of the machine.
- Use straps to anchor the machine.

**KEEP THESE INSTRUCTIONS SAFE.**

# SAFETY SYMBOLS

	<p>WARNING! DANGER FROM MOVING PARTS</p>
	<p>WARNING! RISK OF ACID BURNS</p>
	<p>MAXIMUM SLOPE</p>
	<p>OPERATOR MANUAL, INSTRUCTIONS FOR USE</p>
	<p>READ THE OPERATOR MANUAL</p>
	<p>DIRECT CURRENT SYMBOL</p>
	<p>INSULATION CLASS: THIS CLASSIFICATION ONLY APPLIES TO BATTERY POWERED MACHINES.</p>
	<p>EXTERNAL BATTERY CHARGER CONNECTION POINT.</p>
	<p>SAFETY LABEL. THE SAFETY LABEL IS MOUNTED ON THE MACHINE IN THE LOCATION INDICATED. REPLACE THE LABEL IF BECOMES DAMAGED OR ILLEGIBLE.</p>

# TECHNICAL SPECIFICATIONS

Cleaning width		mm	1200
		inches	48
Cleaning capacity per hour		m <sup>2</sup> /h	3800-5600
		ft <sup>2</sup> /h	40902.86 - 60277.9
Centre brush diameter		mm	280
		inches	11.02
Side brush diameter		mm	400
		inches	15.74
Centre brush motor power		W	600
		HP	0.80
Side brush motor power		W	90
		HP	0.12
Drive motor power		W	450
		HP	0.60
Suction motor power		W	260
		HP	0.34
Filter shaker motor power		W	90
		HP	0.12
Machine power (P <sub>M</sub> )		W	1560
		HP	2.092
Maximum speed		km/h	6.2
		mph	3.8
Debris bin capacity		l	61
		galls.	13.84
Panel filter surface area		m <sup>2</sup>	4
		ft <sup>2</sup>	43.05
Front wheel diameter		mm	250
		inches	9.84
Rear wheel diameter		mm	250
		inches	9.84
Negotiable gradient			16% / 9°
Gross weight (GVW)		kg	651
		lbs	1435.21
Transported weight without batteries		kg	258
		lbs	568.8
Transported weight with batteries		kg	394.4
		lbs	869.5
Number of batteries		no.	4
Machine voltage V <sub>M</sub>		V	24Vdc
Individual battery capacity		Ah (5h)	180
Individual battery weight		kg	34,1
		lbs	75.2
Supply voltage (battery recharge)	Version without on board battery charger	V	24Vdc
Max current (battery recharge)		I	23A
Machine dimensions		mm	X=1615 x Y=905 x Z=1210
		inches	X=63.58 x Y=35.62 x Z=47.63
Battery compartment dimensions (length, width, height)		mm	500 x 500 x 360
		inches	19.68 x 19.68 x 14.1
Packed size (length, width, height)		mm	1740 x 1100 x 1410
		inches	68.50 x 43.30 x 55.51

Sound pressure - Annex DD (Emission of acoustical noise) EN 60335-2-72: 2012		LpA (dB)	70
Measurement uncertainty		K (dB)	3
Measured sound power		Lwa (dB)	82
Measurement uncertainty		K (dB)	3
Guaranteed sound power		Lwa,g (dB)	83
Measurement uncertainty		K (dB)	3
Vibration level (hand) - IEC 60335-2-72		HAV m/sec <sup>2</sup>	2,6
Measurement uncertainty, k		m/sec <sup>2</sup>	1,3
Vibration level (body) - IEC 60335-2-72		HBV m/sec <sup>2</sup>	0,5
Measurement uncertainty, k		m/sec <sup>2</sup>	0,3
IP degree		IP	IPX3

Gross weight (GVW): maximum permissible weight with the machine fully loaded and ready for use. The gross weight of the machine includes the detergent solution tank full of clean water, empty dirty water tank (half full in the case of recycling systems), empty dust bags, the hopper filled to its rated capacity, the largest recommended batteries and all accessories such as cables, hoses, detergent, mops and brushes.

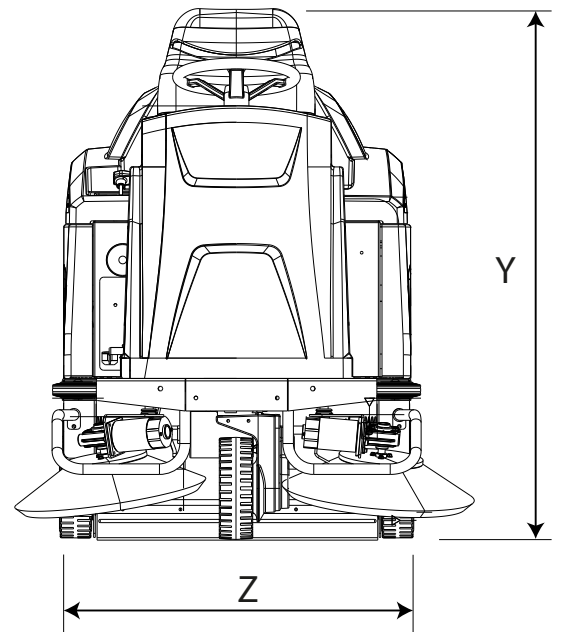
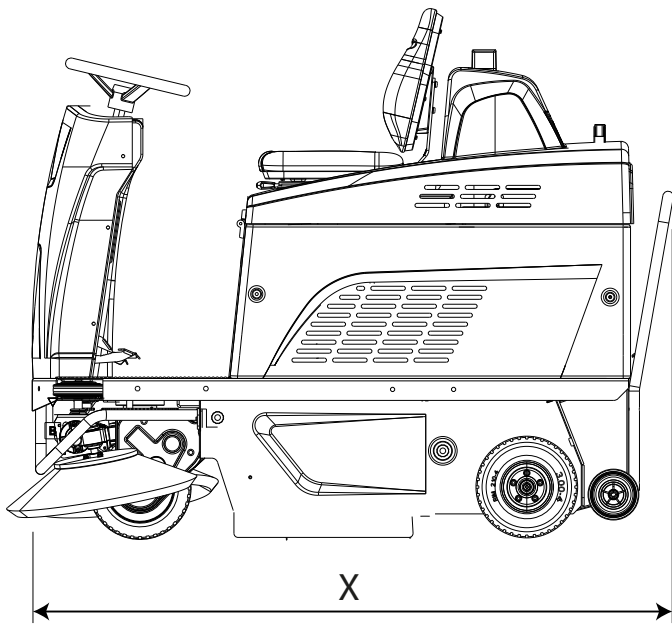
Transported weight: the weight of the machine including batteries, but excluding optionals (for example, the operator's cabin, FOPS (Falling Object Protective Structure), second and third side brushes and front brush attachment), fresh water (in the case of scrubbers or combination machines) and the weight of a standard operator (75 kg).

Data subject to changes without prior warning

V, I: charging / supply values

V<sub>M</sub>, P<sub>M</sub>: machine in average operating conditions (all functions active)

# MACHINE DIMENSIONS



X-Y-Z: See "TECHNICAL SPECIFICATIONS" table

# GENERAL INFORMATION

## Purpose of this manual

This manual has been written by the Manufacturer and is an integral part of the [machine](#)<sup>1</sup>.

It defines the purpose for which the machine has been designed and constructed and contains all the information required by [operators](#)<sup>2</sup>.

In addition to this manual, which contains information for operators, other publications are available providing specific information for [maintenance personnel](#)<sup>3</sup>.

The terms “right” and “left”, “clockwise” and “anti-clockwise” refer to the forward movement of the machine.

Constant compliance with the instructions provided in this manual guarantees the safety of the operator and the machine, ensures low running costs and high quality results and extends the working life of the machine. Failure to follow these instructions may lead to injury to the operator or damage to the machine, floor and environment.

Consult the table of contents at the beginning of the manual to find the section of interest without delay.

**Although your machine may differ appreciably from the illustrations in this document, the correctness and validity of the instructions contained in this manual are guaranteed.**

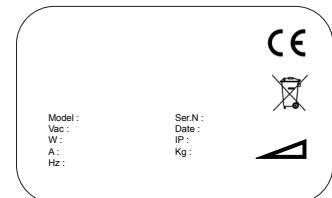
## Identifying the machine

The nameplate provides the following information:

- Name of manufacturer.
- Model.
- Serial number.
- Year of manufacture.
- Power supply voltage (charging/supply value).
- Current intensity (maximum charge level, in line as far as possible with the value indicated by the battery manufacturer).
- Gross weight.
- IP degree of protection.
- Machine voltage (in average operating conditions).
- Machine power (in average operating conditions).
- Maximum negotiable gradient.

## Documentation provided with the machine

- User manual;
- Wall Chart;
- Battery Charger User Manual (included with charger).



<sup>1</sup> The definition "machine" replaces the trade name covered by this manual.

<sup>2</sup> Persons responsible for using the machine without performing any operations requiring precise technical skills.

<sup>3</sup> Persons with experience, technical training and a knowledge of legislation and standards, able to perform all the necessary operations and to recognise and avoid possible risks in handling, installation, use and maintenance of this machine.



# TECHNICAL INFORMATION

## Main parts of the machine

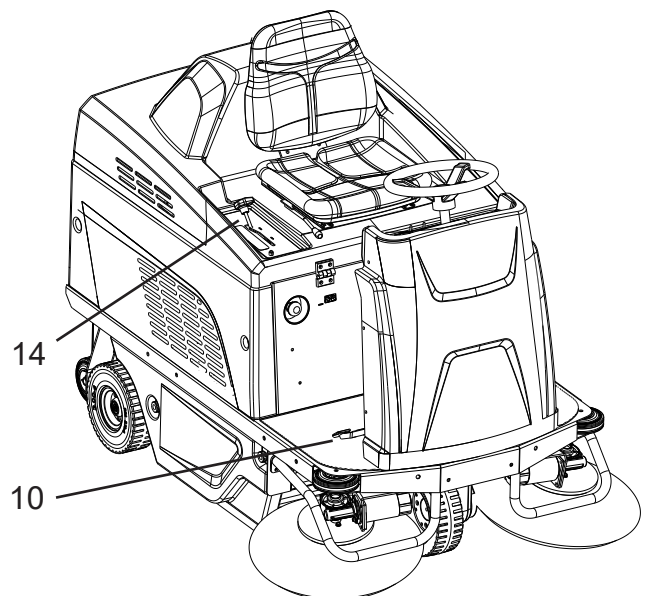
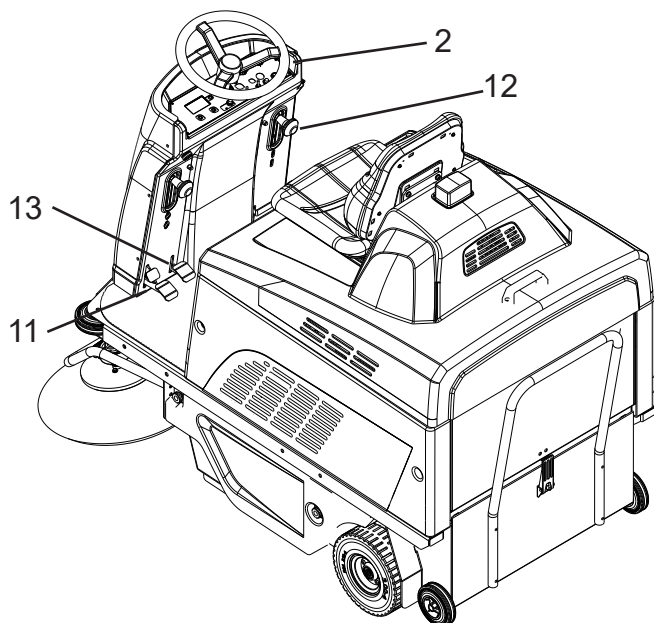
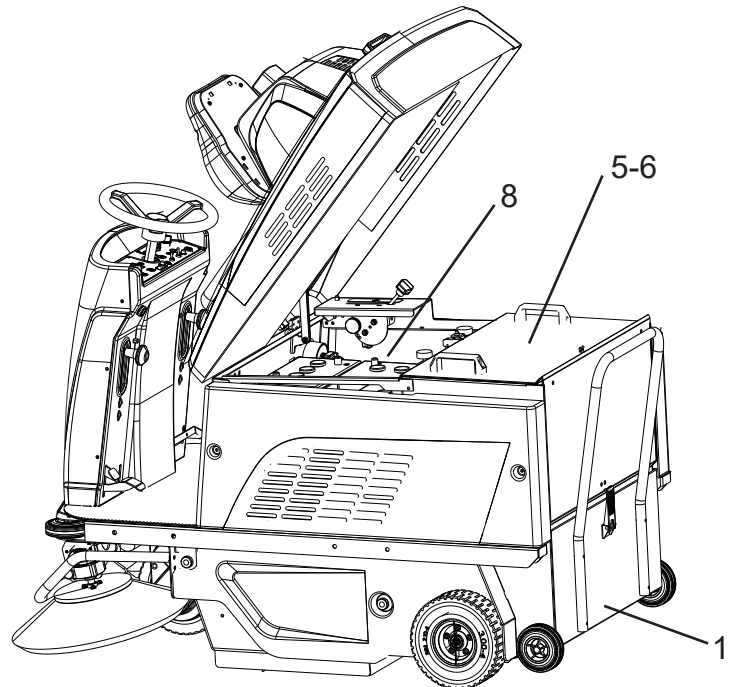
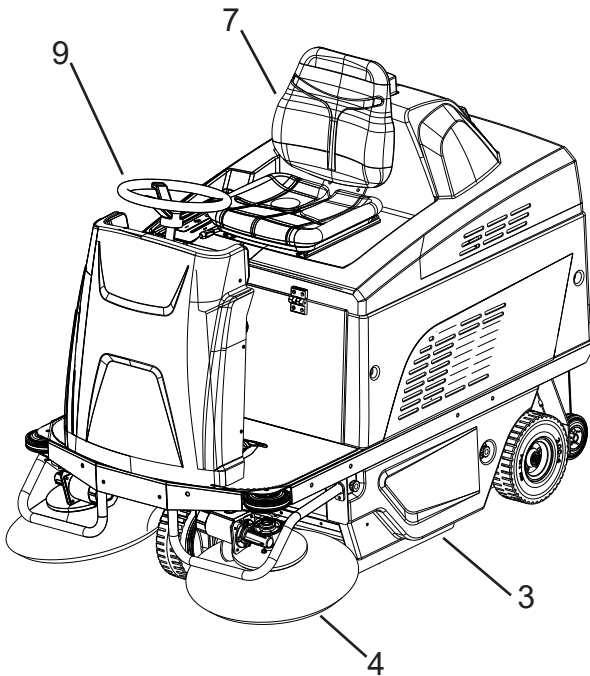
### General description

The machine described in this manual is a motorized sweeper designed to sweep floors in civil and industrial premises.

The motorized sweeper may be used to clean the residues of industrial processes, dust and dirt in general on all relatively even, flat and hard surfaces such as concrete, asphalt, porcelain stoneware, ceramic tiles, sheet metal, marble, embossed or smooth rubber or plastic mats.

The main parts of the machine are listed below:

1. Debris bin.
2. Control panel.
3. Centre brush.
4. Side brush.
5. Suction filter.
6. Filter shaker.
7. Driver seat.
8. Battery compartment.
9. Steering wheel.
10. Accelerator pedal.
11. Service and parking brake pedal.
12. Side brush operating lever.
13. "Lift flap" operating pedal, allows the centre brush to pick up bulky objects.
14. Centre brush operating lever.



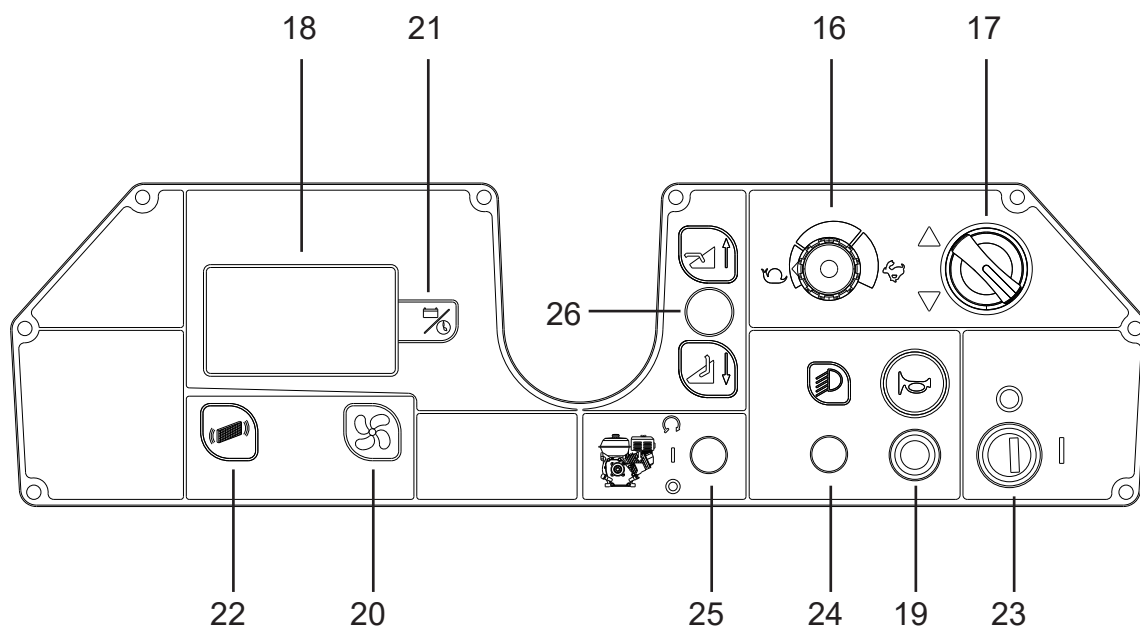
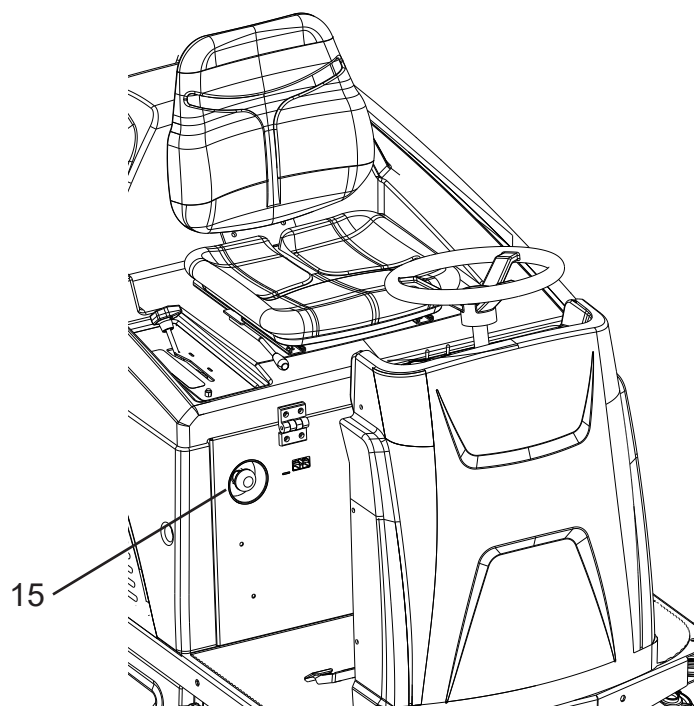
## Control panel

The machine has the following controls and indicator lights:

15. Emergency stop button: acts as a safety device.
16. Speed potentiometer: regulates the maximum speed of the machine forward and in reverse.
17. Direction selector switch, determines movement of the machine forward or in reverse.
18. Display, showing: Remaining battery charge expressed as percentage, Alarm codes and Hour meter.
19. Horn button.
20. Suction button: enables/disables the suction motor.
21. Programming button, used for navigation of the USER MENU.
22. Filter shake button, enables manual operation of the filter shaker.
23. Main switch/ignition switch: connects and disconnects electrical power to and from all functions of the machine.
24. Not used.
25. Not used.
26. Not used.

## Accessories

See list of recommended spare parts.



# HANDLING AND INSTALLATION

## Lifting and transporting the palletized machine

**! ATTENTION:** during all lifting operations, make sure the palletized machine is firmly secured to prevent it tipping over or being accidentally dropped.

The machine must be loaded onto/unloaded from vehicles in areas with adequate lighting.

The machine is packaged on a wooden pallet by the Manufacturer. It must be loaded on to the transporting vehicle using suitable equipment (see Directive 2006/42/EEC and subsequent amendments and/or additions). At destination, it must be unloaded using similar means.

The palletized body of the machine can be lifted only with the aid of a fork lift truck. Handle with care to avoid impact and ensure the machine is not overturned.

## Inspection on delivery

When the carrier delivers the machine, check that the packaging and the machine are both intact and undamaged. If the machine is damaged, make sure the carrier is aware of the damage and before accepting the goods, reserve the right (in writing) to request compensation for the damage.

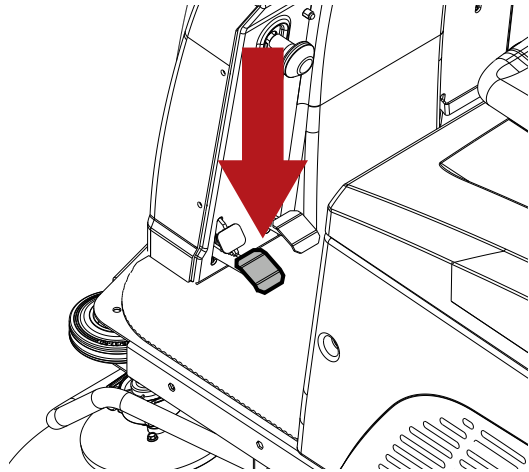
## Unpacking

**! DANGER:** when unpacking the machine, the operator must wear suitable Personal Protection Equipment (gloves, eyewear, etc.) to limit the risk of injury.

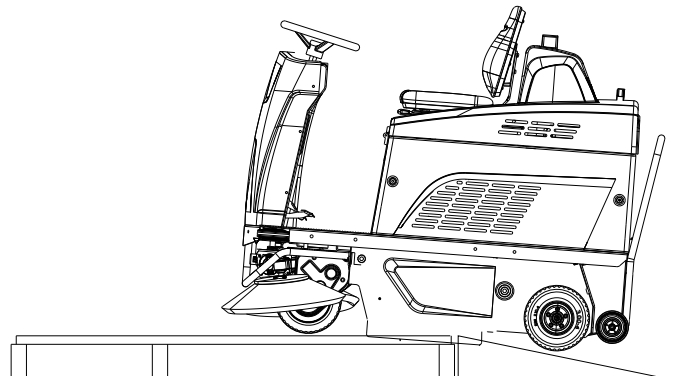
When unpacking the machine, proceed as follows:

- Cut and remove the plastic straps using scissors or nippers;
- Remove the cardboard packaging;
- Remove the side brushes placed inside the battery compartment;
- Remove the bags placed inside the battery compartment and check the contents: user manual; CE certificate of conformity; quick guide; instructions for setting up the battery charger; battery bridges with terminals; 1 x connector for battery charger; 2 x hex wrench;

- Remove the metal brackets securing the front/rear wheels and the machine chassis to the pallet base.
- Release the parking brake.



- Using a ramp, push the machine off the pallet in the reversing direction. The machine must not be lifted.



- Remove the side brushes from their packaging.
- Clean the outside of the machine, taking care to observe safety regulations.

Once the machine is clear of the packaging, proceed to install the batteries, referring to the section "**Batteries: installation and connection**".

The various items of packaging can be kept, if so desired, as these can be reused to protect the machine in the event of it being moved to a different site or sent to a repair workshop.

If not retained, the packaging must be disposed of in compliance with current regulations.

## Batteries

### ! ATTENTION: do not use NON-rechargeable batteries

Two different types of battery can be installed on these machines:

Leak-proof tubular batteries (WET): the electrolyte level must be checked regularly.

Sealed batteries (GEL or AGM): this type of battery requires no maintenance.

The technical specifications of the battery must correspond to those listed in the section on the “**Technical specifications**” of the machine. The use of heavier batteries could seriously jeopardize manoeuvrability and lead to the drive motor overheating. Lighter batteries of lower capacity, on the other hand, will need to be charged more frequently.

### Setting the battery type on the machine

#### ! NOTICE

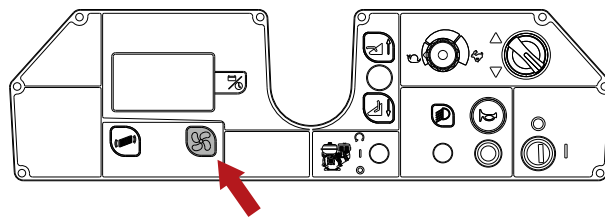
Enter the type of battery installed in the machine software settings.

! ATTENTION: when machines are shipped with batteries installed, the “BATTERY TYPE” parameters are factory-set.

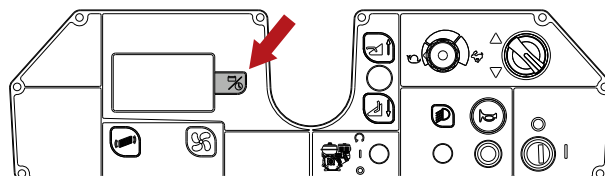
Follow the instructions below to adjust the machine logic settings for the type of battery installed.

- Turn the ignition key to switch the machine off.

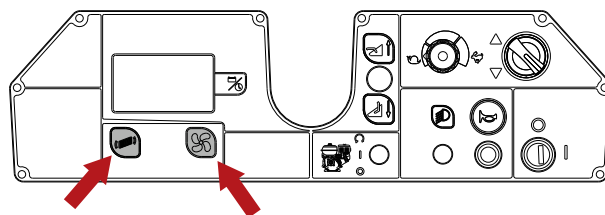
- Press the Suction button twice.



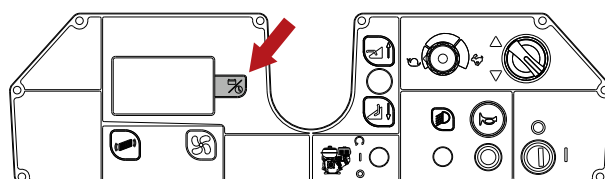
- Press the Programming button to access the battery type setting menu.



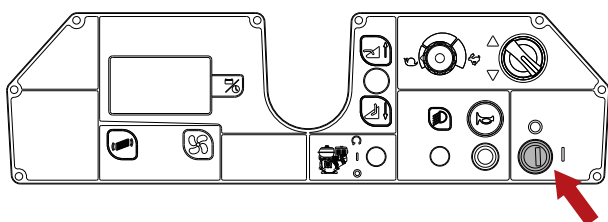
- Select the type of batteries installed using the Suction or Filter Shake buttons: “ACID battery” or “GEL/AGM battery”.



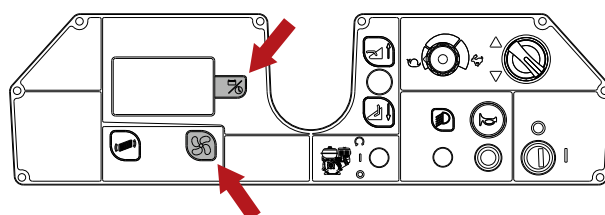
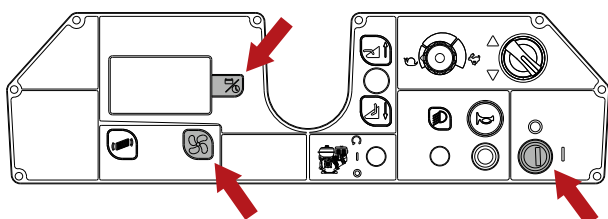
- Press the Programming button to store the parameter.



- Press the Suction button repeatedly until “EXIT” appears, then press the Programming button to exit and save the parameter.



- Press the Programming and Suction buttons at the same time, then switch the machine on by turning the ignition key.



## WET batteries, preparation:

**! DANGER:** The operations of preparing, installing, connecting and removing the batteries must be entrusted to a TENNANT-approved service technician (referred to hereinafter as skilled technician).

**! DANGER:** during installation of the batteries or any type of battery maintenance, the skilled technician must wear the Personal Protective Equipment (gloves, eyewear, overalls, etc.) needed to limit the risk of accidents. Keep away from naked flames, do not short circuit the battery poles, do not generate sparks and do not smoke.

**! DANGER:** in the event of battery fluid leakage, do not touch the fluid and observe the following precautions:  
Contact with the skin can cause irritation; wash with soap and water.  
Inhalation of vapours can cause irritation to the airways; stay out in the open air and consult a doctor.  
Contact with the eyes can cause irritation; wash the eyes immediately, flooding with water for at least 15 minutes, and consult a doctor.

## Batteries: installation and connection

**! DANGER:** during installation of the batteries or any type of battery maintenance, the skilled technician must wear the Personal Protective Equipment (gloves, eyewear, overalls, etc.) needed to limit the risk of accidents. Keep away from naked flames, do not short circuit the battery poles, do not generate sparks and do not smoke.

**! DANGER:** in the event of battery fluid leakage, do not touch the fluid and observe the following precautions:  
Contact with the skin can cause irritation; wash with soap and water.  
Inhalation of vapours can cause irritation to the airways; stay out in the open air and consult a doctor.

Contact with the eyes can cause irritation; wash the eyes immediately, flooding with water for at least 15 minutes, and consult a doctor.

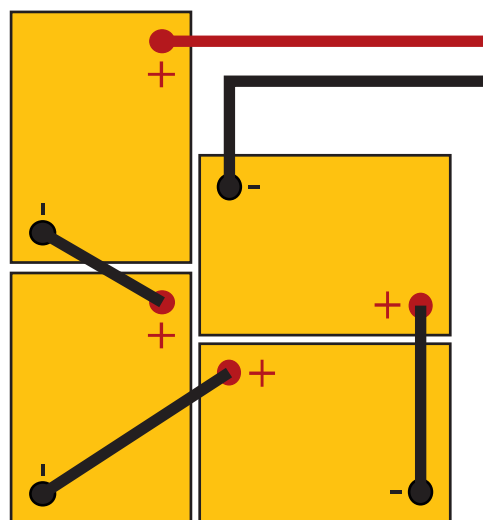
**! ATTENTION:** the operation of installing and connecting the batteries must be carried out by a skilled technician.

**! ATTENTION:** when installing and connecting the batteries, ensure that the battery charger is unplugged from the power socket.

**! ATTENTION:** before carrying out the operations described below, stop on a flat and level surface, switch off the machine, remove the ignition key and apply the parking brake.

**! DANGER:** Make certain that the terminals marked with a "+" are connected to the positive poles of the battery. Do not check the battery charge by sparking.

Tilt the seat cowling toward the steering wheel, then place the batteries in the compartment, positioning them as indicated by the drawing.



Connect the wiring terminals to the battery poles, tighten and smear with Vaseline.

Return the seat cowling to the working position.

When using the machine, follow the instructions below.



## OFF-BOARD battery charger settings



**! DANGER:** use a battery charger with CE marking that is in compliance with product standard (EN 60335-2-29), equipped with double insulation or reinforced insulation between input and output and with SELV type output circuit.

**! ATTENTION:** check that the battery charger is compatible with the batteries being charged.

Tubular lead acid (WET) batteries: the use of an electronic battery charger is recommended; in any event, consult the manufacturer and the battery charger manual to confirm the suitability of the external battery charger.

Gel or AGM batteries: use a charger intended specifically for the type of battery.

## Preparation of OFF-BOARD battery charger

**! ATTENTION:** authorized service technician required to perform this procedure.

When using a battery charger not provided with the machine, it must be fitted with the connector included in the machine equipment package.

The connector supplied for the external battery charger is compatible with cables of maximum cross-section 16mm<sup>2</sup>. Proceed as follows to fit the connector:

Remove around 13 mm of the protective sheath from the red and black conductors of the battery charger cable;

Attach the ends to the contacts of the connector and squeeze forcibly with suitable crimping pliers;

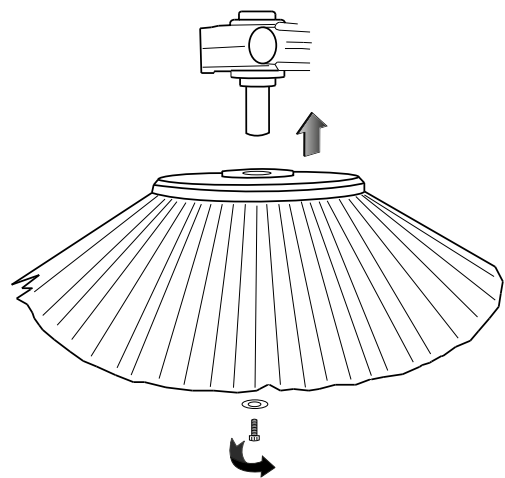
Make certain the polarity is correct (red + black -) when attaching the wires to the connector.

## Fitting the side brush

**! ATTENTION:** before carrying out the operations described below, stop on a flat and level surface, switch off the machine, remove the ignition key and apply the parking brake.

Assembly:

- Undo the screw on the motor shaft.
- Check that the drive key is located in the keyway of the motor shaft.
- Position the brush complete with flange on the motor shaft.
- Retighten the clamp screw.



Disassembly:

- Repeat the steps described above in reverse order.



# PRACTICAL GUIDE FOR THE OPERATOR

## Clothing and equipment

Wear safety shoes with non-slip soles.

Wear protective eyewear or visor and safety garments.

Depending on the surface being cleaned and on the environment, the protective measures necessary for atomized sprays include respiratory masks with class FFP2 or equivalent or higher protection.

## Before starting the machine

Clear away larger items of refuse before sweeping. Pick up any pieces of wire, tape, string and similar items that could become entangled around the brushes.

## Preparing the machine for work

Proceed as follows before starting work:

- Check that the batteries are fully charged, and if not, carry out the recharging procedure: when undertaking this operation, refer to the section “Charging the batteries”.
- Make certain that the debris bin is empty and, if not, empty it referring to the section “Emptying the debris bin”.

### ! NOTICE

The operator seat can be adjusted for position, to make the use of the machine more comfortable.

## Working

**! ATTENTION:** do not use the machine without first reading the operating and maintenance manual.

**! ATTENTION:** avoid sweeping up pieces of wire, tape, string and similar items that could become entangled around the brushes.

### ! NOTICE

Releasing the accelerator pedal, all functions of the machine will switch off automatically within 5 seconds (AUTO POWER-OFF). To reactivate the functions, simply depress the accelerator pedal.

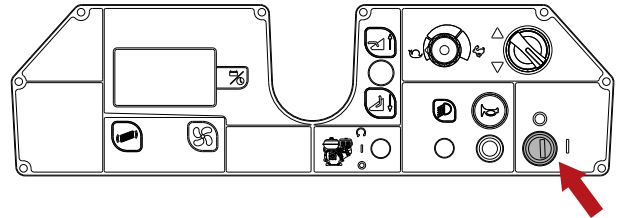
### ! NOTICE

The “AUTO POWER-OFF” system can be enabled/disabled by way of the machine software menu; refer to the section “USER MENU”.

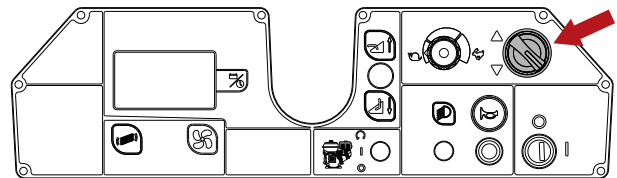


**! DANGER:** Never sweep up combustible powders, flammable or explosive liquids (e.g. petrol, fuel oil, etc.), acids and solvents (e.g. paint thinners, acetone etc.) even if diluted.

- Sit on the seat.
- Turn the ignition key to switch the machine on.



- Use the drive selector to select the drive direction.

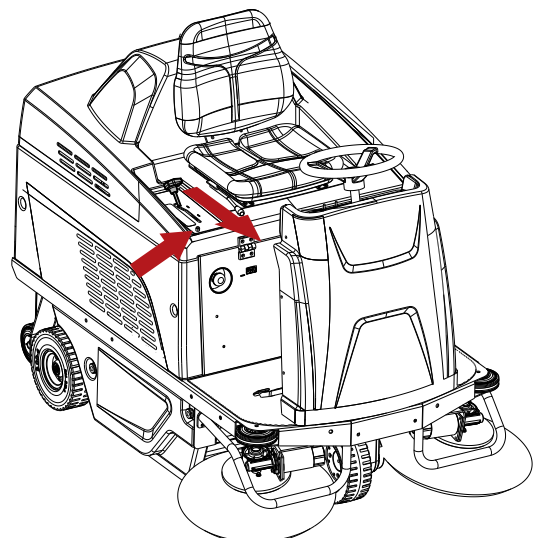


- To lower the centre brush, push the operating lever forward: as the brush is lowered, the brush motor and suction motor will come into operation.

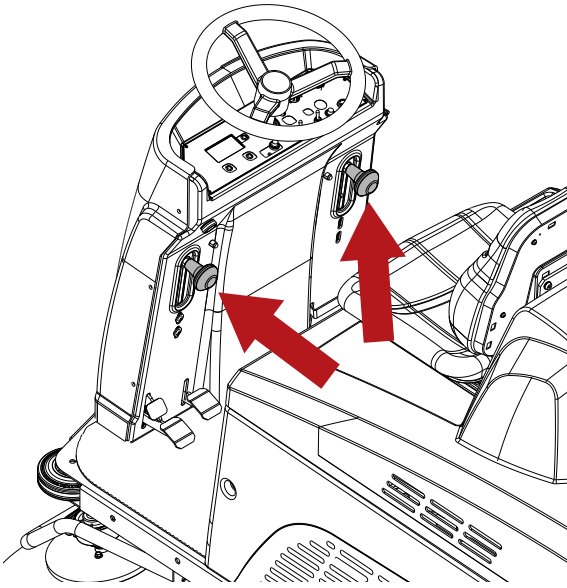
### ! NOTICE

A resettable fuse is fitted on the guide plate of the centre brush operating lever.

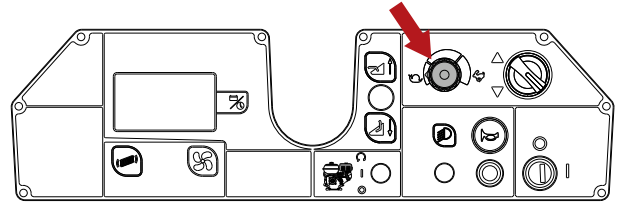
In the event that the centre brush should stop working, press the button to reset the fuse.



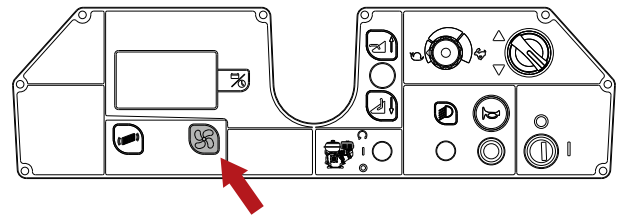
- Lower the side brushes by pulling the relative levers out and easing them down.



- The maximum operating speed can be set by turning the speed potentiometer.

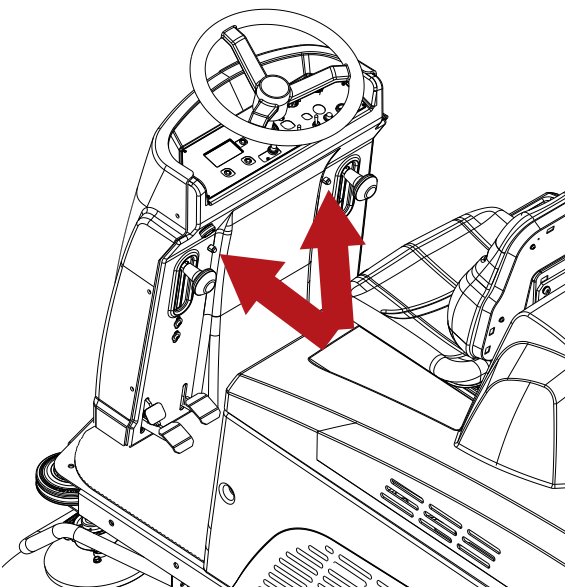


- If the machine has to be used on damp ground, it is essential to protect the paper filter: accordingly, shut off the suction motor by pressing the suction button.

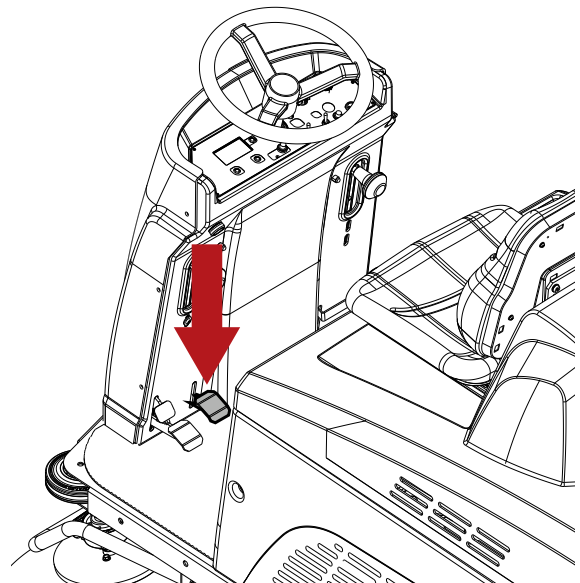


**! NOTICE**

A resettable fuse is fitted above each of the side brush operating levers.  
In the event that a side brush should stop working, press the button to reset the fuse.



- Press the "Lift Flap" pedal to pick up bulky items.



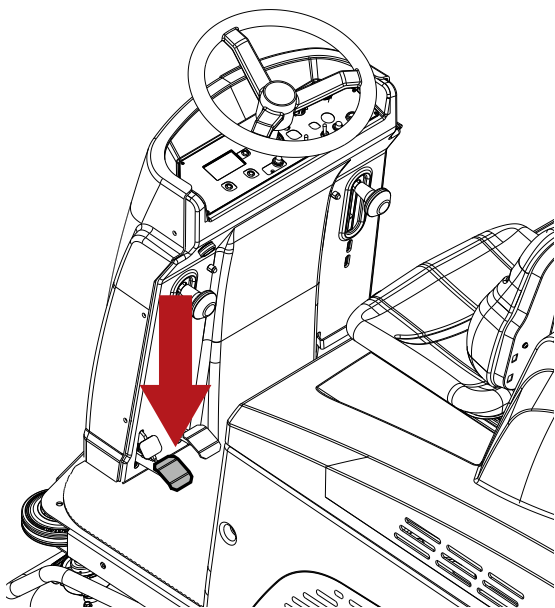
- Start cleaning, turning the steering wheel by hand and depressing the accelerator pedal.

To stop the machine, release the accelerator pedal and depress the brake pedal; refer to the section "**Service brake and parking brake**".

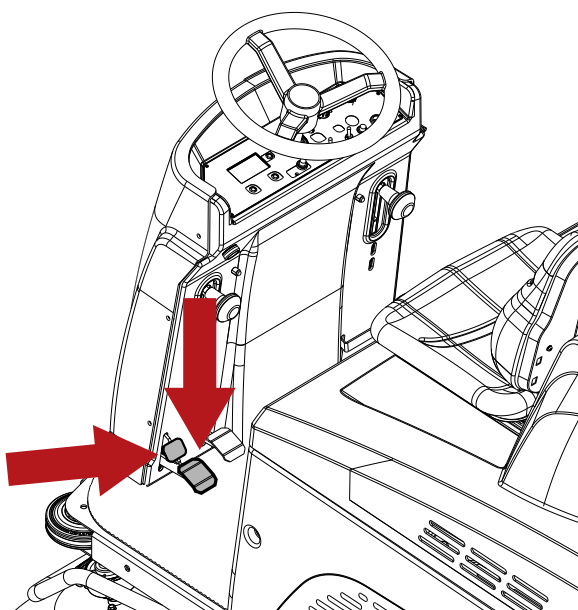
Before leaving the machine unattended, stop on a flat and level surface, switch off the machine, remove the ignition key, make certain that the centre brush and the side brushes are raised clear of the ground, and apply the parking brake.

## Service brake and parking brake

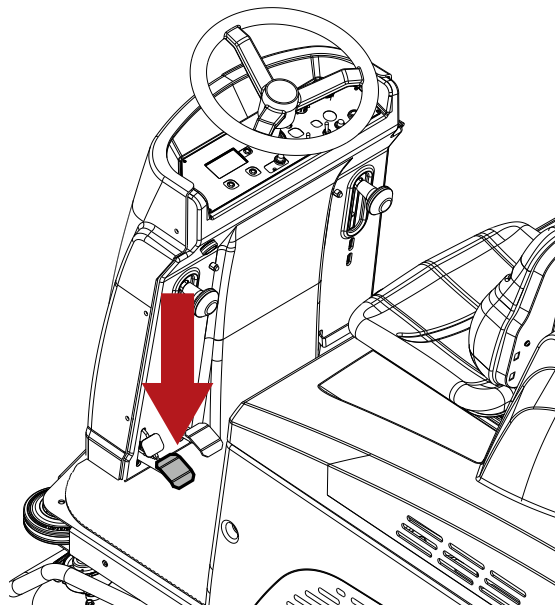
The service brake is operated by depressing the pedal.



To apply the parking brake, depress the brake pedal fully, together with the lock pedal.



To release the parking brake, depress the brake pedal fully.



## During operation of the machine

- Keep the cleaning passes as straight as possible.
- Overlap successive cleaning passes by a few centimetres.
- Adjust the speed of the machine according to the type of cleaning.
- Check the battery charge indicator to ensure there will be sufficient power for completion of the cleaning operation.

**! ATTENTION: Do not operate the machine on slopes or gradients steeper than indicated on the data plate.**

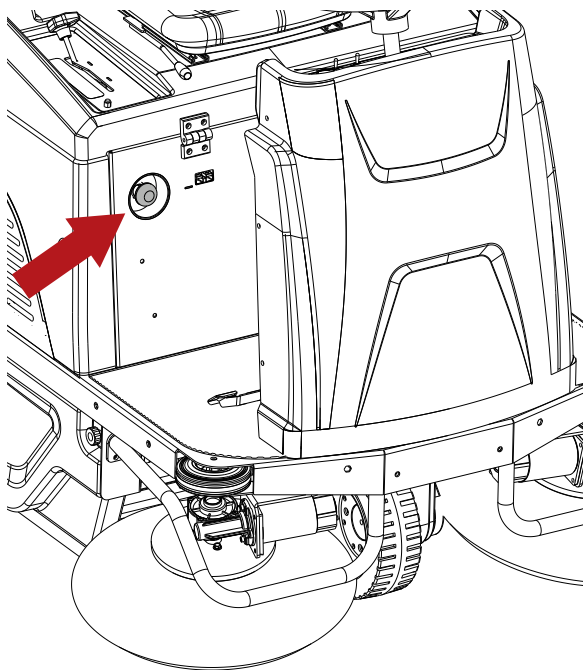
**! ATTENTION: When using the machine on gentle gradients, do not move transversely across the slope, but keep the machine on a line parallel to the direction of the incline, manoeuvring carefully and without making U-turns.**

## Emergency stop button

In the event of emergency, this button isolates the machine from its power source.

To cut off the power supply, push the button in.

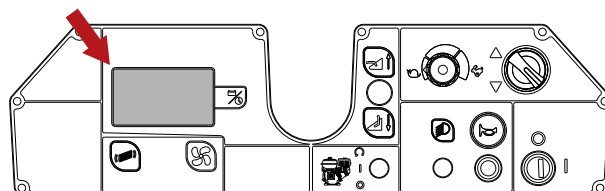
To restart the machine, pull the button back.



## Battery charge indicator

The indicator shows the remaining battery charge, expressed as a percentage. When the battery charge percentage value drops below a given level, all cleaning functions are stopped, whereas the drive system remains enabled. Refer to the section “**Alarms / display messages**”.

Proceed to recharge the batteries: for this operation, refer to the section “**Recharging the batteries**”.



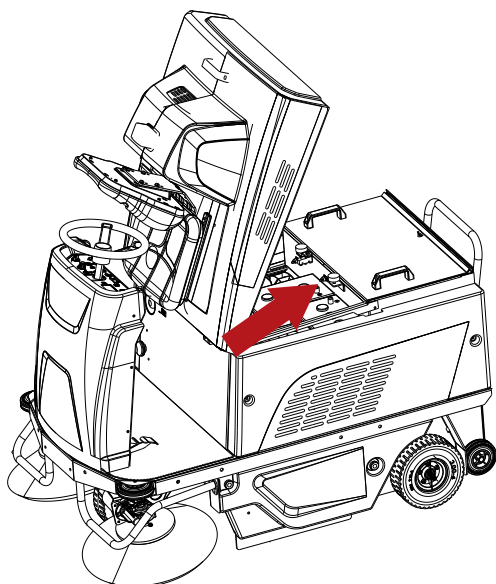
## Safety thermostat

The safety thermostat is located in the position shown.

Should a fire happen to start up inside the debris bin, the thermostat will cause the the suction fan to shut off.

Proceed as follows:

- Move the machine to a safe area.
- Remove the ignition key and apply the parking brake.
- Open the debris bin and remove the source of the heat.



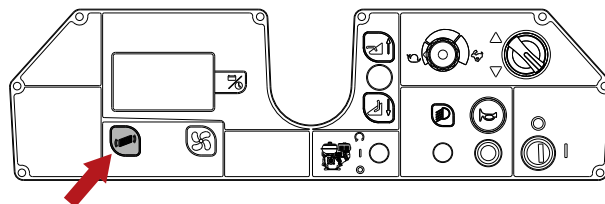
## Emptying the debris bin



**! DANGER:** always wear a mask when emptying the debris bin, so as to protect the respiratory tract from the dust that will inevitably be raised during this operation.

On finishing work, proceed to empty the debris bin following the instructions given below:

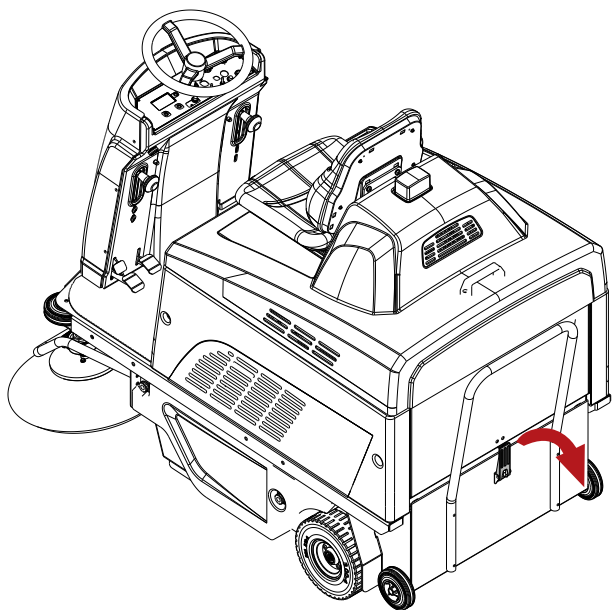
- Switch on the filter shaker for 5 seconds.



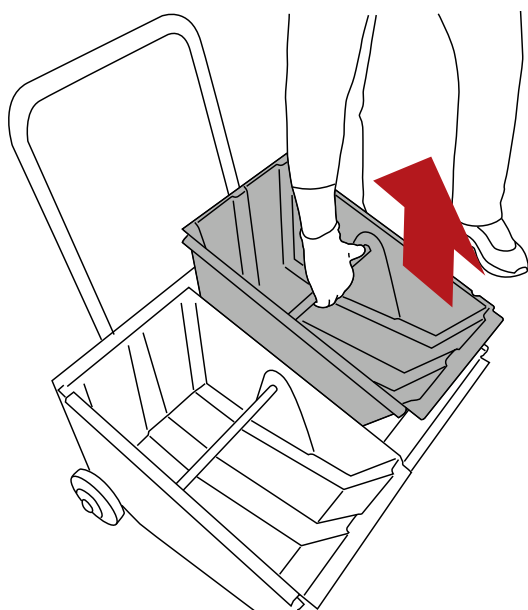
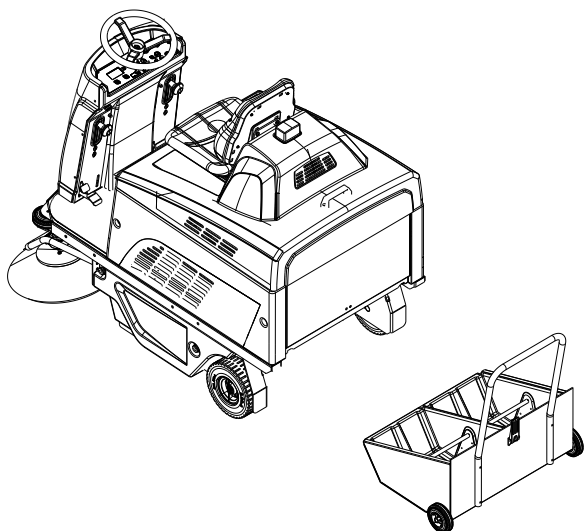
**! ATTENTION:** before carrying out the operations described below, stop on a flat and level surface, switch off the machine, remove the ignition key and apply the parking brake.

- Move the machine close to the refuse container.

- Lower the debris bin clamp lever.



- Remove the bin and empty it.



- Reposition the bin and lock in place with the lever.

## Moving the machine when not in operation

To move the machine, proceed as follows:

- Turn the ignition key to switch the machine on.
- Select the direction of travel.
- Press the accelerator pedal.
- The top speed of the machine is adjusted by turning the potentiometer.
- To stop the machine, release the accelerator pedal and depress the brake pedal; refer to the section "**Service brake and parking brake**".
- Turn the ignition key to switch off the machine.
- Apply the parking brake: see section "**Service brake and parking brake**".



# MAINTENANCE INSTRUCTIONS



**! DANGER:** no maintenance work of any description must be carried out without first having isolated the machine from its power source. Maintenance operations on the electrical circuit — and in any event, all other operations not explicitly described in this operating manual — must be performed by a TENNANT approved service technician, in compliance with current safety regulations and as indicated in the maintenance manual.

## Maintenance - General rules

Performing regular maintenance according to the Manufacturer's instructions will improve performance and extend the working life of the machine.

When cleaning the machine, always observe the following precautions:

Avoid using pressure washers. Water could penetrate the electrical compartment or motors leading to damage or short circuits;

Avoid using steam, as the heat could cause the deformation of plastic parts;

Do not use solvents or hydrocarbon based products. These can damage the cowling and rubber components.

## Cleaning the suction motor air filter

The suction filter is of particular importance in ensuring correct operation of the machine. Proper maintenance of the filter will ensure that the machine always delivers maximum efficiency.

The suction filter can be cleaned as follows:

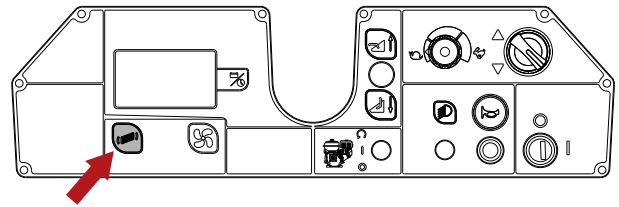
- Using the automatic cleaning system, the machine is programmed for automatic and cyclical cleaning of the filter to take place during operation at predetermined intervals.

### ! NOTICE

**The automatic cleaning system can be enabled/disabled in the machine software menu; refer to the section "USER MENU".**

**The machine is factory-set with the system DISABLED**

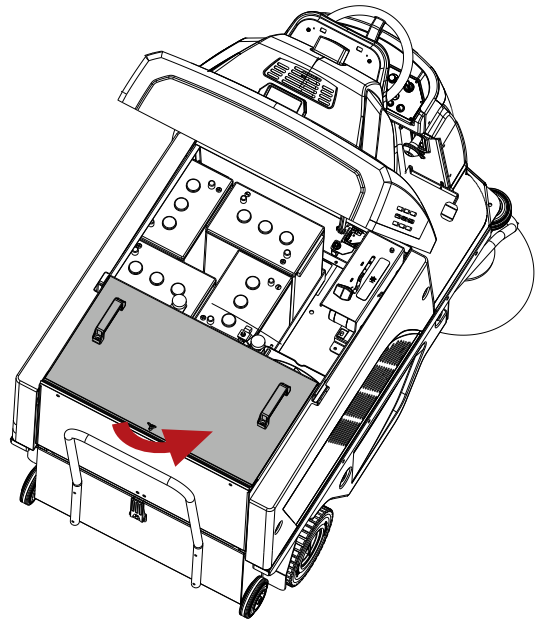
- Using the manual cleaning system; press the filter shaker button and hold it down for a few seconds. Repeat this operation 4 or 5 times while using the machine. This operation should be performed at the end of every working shift. If the machine is used in a dusty environment (e.g. sawmills, warehouses where vehicles are moving back and forth, etc.), take care to use the filter shaker more frequently.



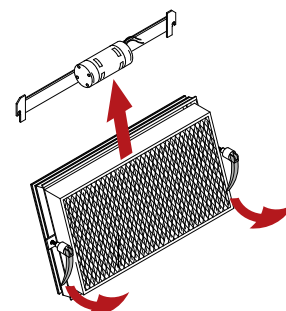
- Cleaning the filter manually; if the filter shaker does not produce the expected result, clean the filter manually. In any event, clean the filter at least once every 50 working hours.

**! ATTENTION:** before carrying out the operations described below, stop on a flat and level surface, switch off the machine, remove the ignition key and apply the parking brake.

- Take out the debris bin and empty it; refer to the section "Emptying the debris bin"
- Remove the cover of the filter housing.



- Lift the two levers and remove the filter shaker bracket complete with the filter shaker motor, carefully disconnecting the power cable from the filter shaker.
- Take out the filter.





- Blow the filter clean with compressed air (maximum pressure 6 bar).
- Refit the filter and reposition the debris bin.

## Fuses:

**! ATTENTION:** before carrying out the operations described below, stop on a flat and level surface, switch off the machine, remove the ignition key and apply the parking brake.

**! ATTENTION:** never install a fuse with a current rating higher than that specified.

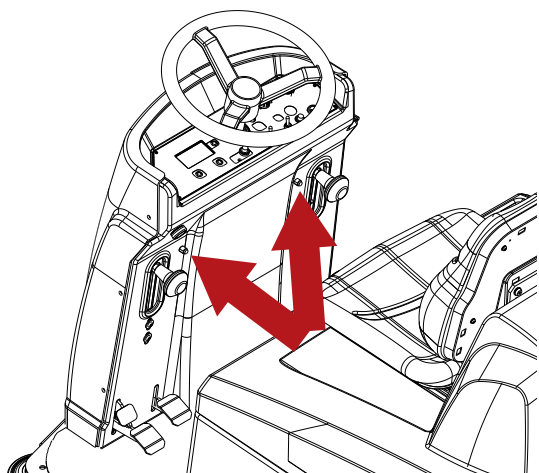
The replacement of fuses must be entrusted only to a TENNANT service centre or to a TENNANT-approved service technician.

In addition, the machine is equipped with resettable fuses also known as thermal fuses. These are resettable devices serving to protect the electrical circuits, which shut off the flow of current in the event of an overload. Once the thermal fuse has been tripped, allow time for it to cool, then press the reset button to restore normal operation. If the cause of the overload by which the fuse was tripped is still present, the breaker will continue to shut off the flow of current until the issue has been resolved.

### ! NOTICE

A resettable fuse is fitted above each of the side brush operating levers.

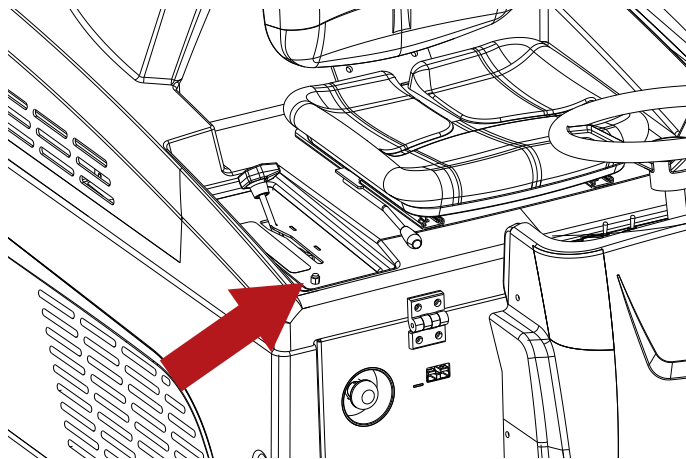
In the event that a side brush should stop working, press the button to reset the fuse.



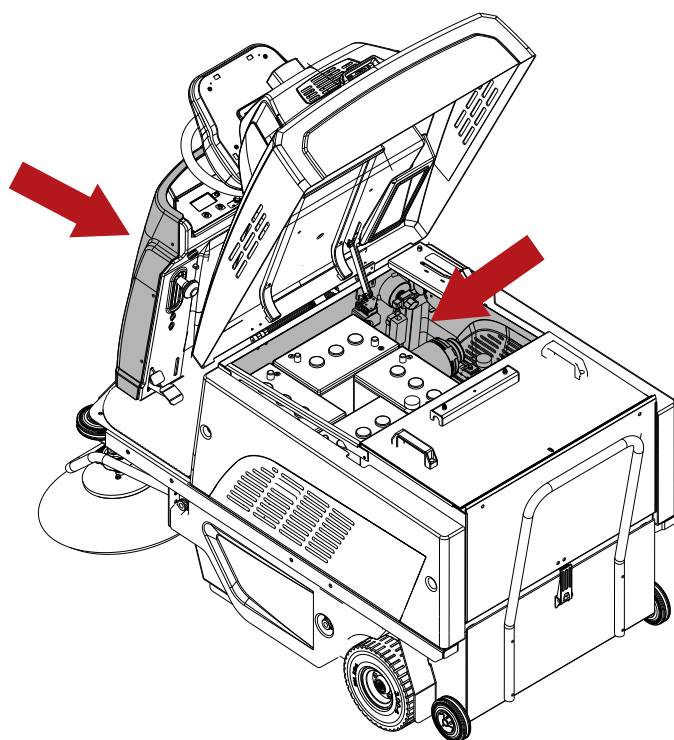
### ! NOTICE

A resettable fuse is fitted on the guide plate of the centre brush operating lever.

In the event that the centre brush should stop working, press the button to reset the fuse.



The remaining fuses are located in the battery compartment and inside the front casing.



## Battery maintenance

**! DANGER:** do not check the batteries by sparking. Lead-acid (WET) batteries give off flammable vapours: extinguish any naked flames or embers before checking or topping up the batteries.

**! DANGER:** during any type of maintenance on the batteries, the operator technician must wear the Personal Protective Equipment (gloves, eyewear, overalls, etc.) needed to limit the risk of accidents. Keep away from naked flames, do not short circuit the battery poles, do not generate sparks and do not smoke.



**! DANGER:** in the event of battery fluid leakage, do not touch the fluid and observe the following precautions:

Contact with the skin can cause irritation; wash with soap and water.

Inhalation of vapours can cause irritation to the airways; stay out in the open air and consult a doctor.

Contact with the eyes can cause irritation; wash the eyes immediately, flooding with water for at least 15 minutes, and consult a doctor.

Useful battery life is dependent on proper maintenance. To obtain best possible efficiency from batteries, observe the following rules:

- Do not leave batteries partially discharged for long periods of time.
- Allow batteries to charge completely before resuming use of the machine.
- Keep batteries clean, with the connections always well tightened.
- Check the level of the electrolyte every two weeks (WET batteries).

## Checking the electrolyte level of WET batteries

WET batteries must be inspected periodically to check the level of the electrolyte. Use only distilled water to top up the level so that the plates are covered. Do not overfill (maximum 5 mm above the plates), as the electrolyte could expand and overflow when the battery is charged.

## Recharging the batteries



**! DANGER:** do not check the batteries by sparking. Lead-acid (WET) batteries give off flammable vapours: extinguish any naked flames or embers before checking or topping up the batteries.



**! DANGER:** carry out the operations described below in a ventilated area.



**! DANGER:** when charging the batteries, highly explosive hydrogen gas is produced. Leave the seat cowling open (tilted toward the steering wheel) throughout the entire battery charging cycle and carry out this procedure only in well-ventilated areas, away from naked flames.

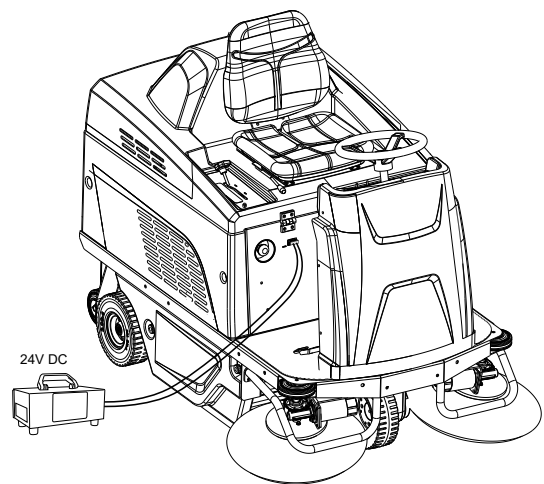
**! ATTENTION:** before carrying out the operations described below, stop on a flat and level surface, switch off the machine, remove the ignition key and apply the parking brake.

**! ATTENTION:** before recharging, make certain that the battery charger is set up correctly for the type of battery installed.

**! ATTENTION:** run the recharge cycle exactly as specified in the battery charger manual, and at the end of the cycle, detach the connectors.

## OFF-BOARD BATTERY CHARGER

- Connect the battery charger connector to the machine connector.
- Plug the battery charger into the mains power socket.
- Start the recharge cycle.



## Battery: removal

**! ATTENTION:** the operation of removing the batteries must be carried out by a skilled technician.



**! DANGER:** in the event of battery fluid leakage, do not touch the fluid and observe the following precautions:

Contact with the skin can cause irritation; wash with soap and water.

Inhalation of vapours can cause irritation to the airways; stay out in the open air and consult a doctor.

Contact with the eyes can cause irritation; wash the eyes immediately, flooding with water for at least 15 minutes, and consult a doctor.



**! DANGER:** When removing the batteries, the skilled technician must wear the Personal Protective Equipment (gloves, eyewear, overalls, etc.) needed to limit the risk of accidents; remove the ignition key from the control panel before proceeding with the removal operation, keep away from naked flames, do not short circuit the battery poles, do not generate sparks and do not smoke.

**! ATTENTION:** when removing the batteries, ensure that the battery charger is unplugged from the power socket.

**! ATTENTION:** before carrying out the operations described below, stop on a flat and level surface, switch off the machine, remove the ignition key and apply the parking brake.

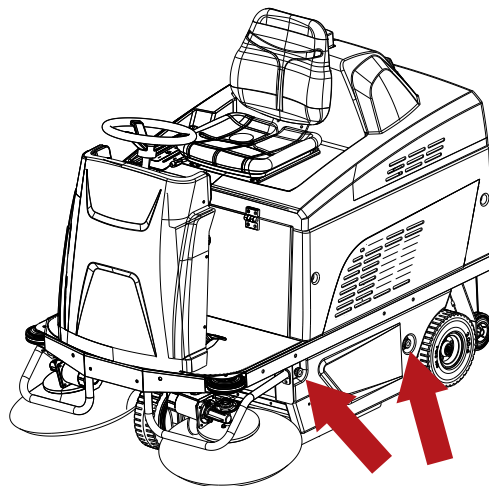
- Disconnect the terminals of the battery cables from the battery poles.
- If necessary, remove the devices fixing the battery to the base of the machine.
- Lift the batteries from the compartment using suitable handling equipment.

## Replacing the centre brush

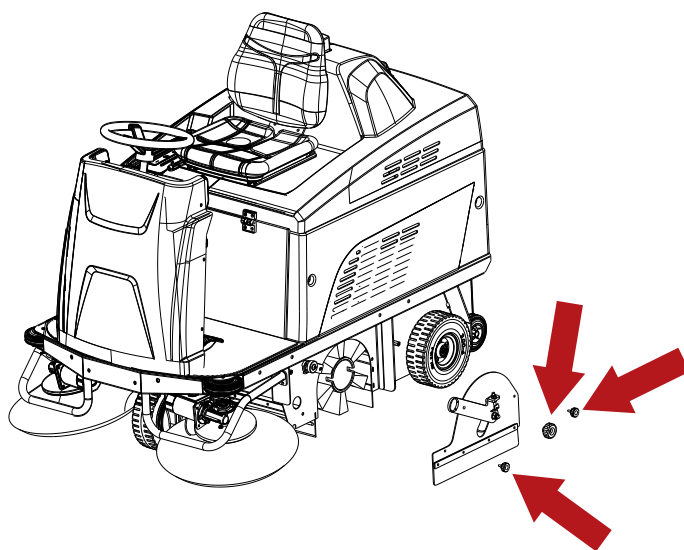
**! ATTENTION:** before carrying out the operations described below, stop on a flat and level surface, switch off the machine, remove the ignition key and apply the parking brake.

To replace the centre brush, proceed as follows:

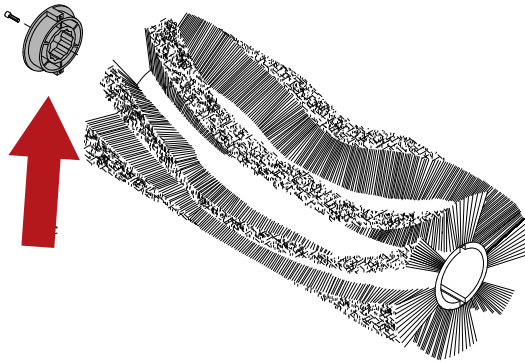
- Unscrew the knobs and open the door on the left of the machine.



- Unscrew and remove the three knobs securing the brush compartment cover.
- Remove the cover of the brush compartment.
- Take out the worn brush.



- Remove the adapter from the core of the old brush and fit it to the new brush, taking care to keep the bristles aligned in the same direction.



- Fit the new brush and make sure that the adapter is coupled to the drive hub.
- Replace the brush compartment cover, repeating the disassembly operations in reverse order.

#### ! NOTICE

Once all six of the adjustment positions have been used up, proceed with replacement of the brush as indicated in the section “Replacing the centre brush”.

#### Adjusting the side brushes for wear

**! ATTENTION:** before carrying out the operations described below, stop on a flat and level surface, switch off the machine, remove the ignition key and apply the parking brake.

If the side brushes (when lowered) do not touch the floor due to excessive wear, they can be adjusted as follows:

- Lower the side brushes by pulling the relative levers out and easing them down.
- Loosen the adjustment screws.
- Position the brush by hand, as required.
- Tighten the adjustment screws.

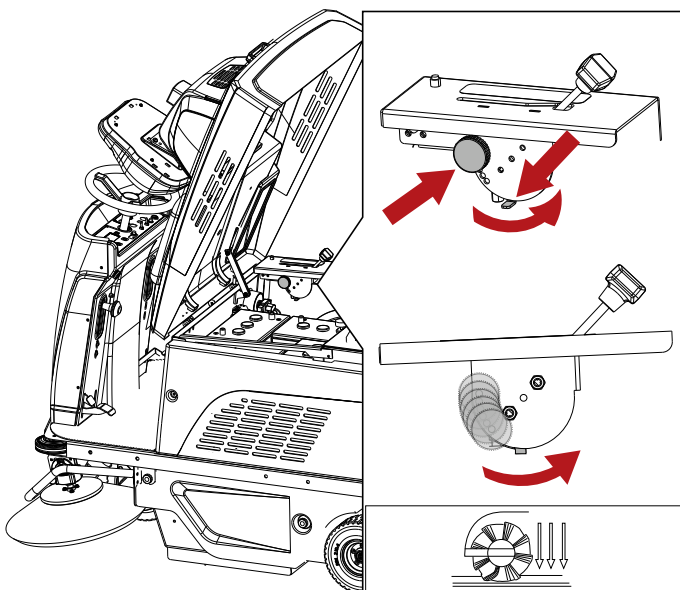
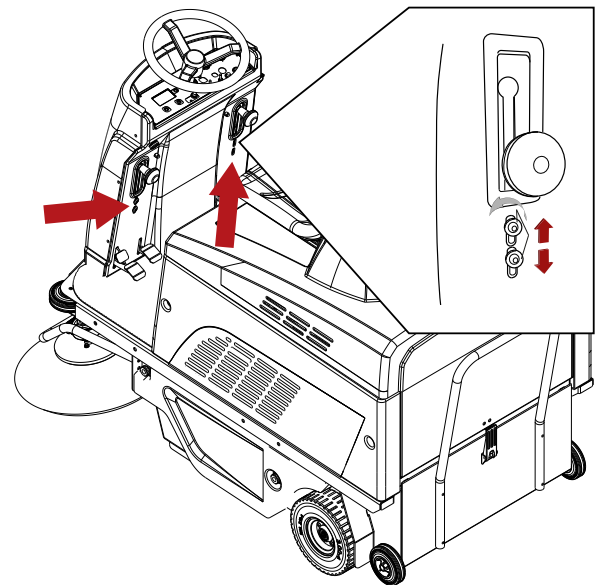
#### Adjusting the centre brush for wear

Correct adjustment of the centre brush will ensure better quality cleaning in less time.

Make the adjustment when the brush has become worn.

Proceed as follows:

- Raise the brush.
- Unscrew the knob.
- Turn the adjuster anti-clockwise until the knob is aligned with the next fixing hole.
- Retighten the knob.



## Periodic checks

CHECK	OPERATIONS ON TAKING DELIVERY	OPERATIONS EVERY 30 HOURS	OPERATIONS EVERY 50 HOURS	OPERATIONS EVERY 100 HOURS	OPERATIONS EVERY 400 HOURS
BATTERY ELECTROLYTE LEVEL AND VOLTAGE	X	X OR EVERY TWO WEEKS			
CHECK THE BRUSHES (OR CARBON BRUSHES) ON ALL OF THE ELECTRIC MOTORS AND REPLACE IF WORN					X (*)
BELT WEAR				X (*)	
BRAKE ADJUSTMENT				X (*)	
TIGHTNESS OF THREADED FASTENERS					X
EXTENT OF WEAR ON BRUSHES			X		
CLEANING SUCTION MOTOR AIR FILTER			X		
TIGHTNESS OF SEALS /FLAP	X		X		

(\*) To be performed by trained service personnel only

## PERIODS OF INACTIVITY

If the machine is not used for some time, for example, on display in a showroom or stored in the warehouse for a period of more than one month, the following operations are required:

- Recharge the batteries completely. During long periods of inactivity, remember to recharge the batteries periodically (at least once every two months) so that they are kept at the maximum charge level.
- Disconnect the batteries from the machine.
- Make certain that the debris bin is completely empty and perfectly clean.

**! ATTENTION:** remember to check the batteries — if they are not recharged periodically as described above, they could become damaged beyond repair. The manufacturer is not liable for any malfunctions resulting from neglect, improper and/or incorrect use.

**! ATTENTION:** when the batteries discharge to the minimum level, make certain they are not left in this condition for any length of time, as this can reduce their working life. Check the battery charge level at least once a week



## TROUBLESHOOTING

PROBLEMS	CAUSES	SOLUTIONS
Machine raises dust.	Filter clogged.	Shake the filter using the filter shaker and if necessary remove and carefully clean the filter
	Filter damaged.	Replace the filter
	Filter incorrectly fitted.	Fit the filter correctly in position
	Safety thermostat tripped.	Remove the heat source from the debris bin.
Machine leaves dirt on the ground.	Centre brush has picked up string or wire.	Remove the string and wire.
	Flaps damaged.	Replace the flaps
	Debris bin full.	Empty the debris bin
Centre brush not turning.	Belt broken.	Contact customer service
	Cutout tripped.	Reset the fuse
	Gearmotor damaged.	Contact customer service
Side brushes not turning.	Fuse tripped.	Reset the fuse
	Microswitch faulty.	Contact customer service
	Gearmotor damaged.	Contact customer service
Suction motor not working	Cutout tripped.	Contact customer service
	Motor damaged.	Contact customer service
	Safety thermostat tripped.	Remove the heat source from the debris bin.
Filter shaker motor not working.	Cutout tripped.	Contact customer service
	Motor damaged.	Contact customer service
Machine does not start	Battery terminals disconnected	Check
	Batteries discharged	Recharge
	Emergency stop button depressed	Reset.
	Operator weight-sensing device faulty	Contact customer service
	Operator not correctly seated.	Sit correctly in the seat.
	Main fuse blown	Contact customer service
Battery does not stay charged	No liquid	Top up
	Loose terminal	Tighten



## ALARMS/WARNINGS DISPLAYED

Alarm message	Machine behaviour	Description of problem	Possible solution
BRUSH MOTOR CUTOFF TRIPPED	Brush motionless.	Brush motor overheating.	Leave to cool down.
BRAKE	Drive motionless.	Brake applied. Drive motor overheating.	Release the brake. Leave to cool down.
STAND-BY	Machine motionless.	Seat microswitch not detecting weight of occupant.	Sit correctly on the seat
ACCELERATOR RELEASE	Machine motionless.	Message appears if the accelerator pedal is depressed when turning on the machine.	Release the accelerator pedal.
ERROR EEPROM 1	Machine motionless.	Defective software.	Replace the display circuit board.
DRIVE CONTROL BOARD CUTOFF TRIPPED	Machine motionless.	Drive circuit board overheating.	Wait for the drive motor to cool down.
ACCELERATOR FAULT	Machine motionless.	Fault with accelerator wiring.	Check the wiring.
MAX SPEED POTENTIOMETER FAULT	Machine motionless.	Fault with potentiometer wiring.	Check the wiring.
UNDER VOLTAGE FAULT	Services inhibited, drive enabled.	Battery voltage lower than 21.4V (GEL/AGM batteries) or 20.5V (Acid batteries).	Recharge the batteries, or replace if the problem persists.
OVERVOLTAGE FAULT	/	Battery voltage higher than 29V (GEL/AGM batteries) or 29V (Acid batteries).	Recharge the batteries, or replace if the problem persists.
MAIN RELAY FAULT	Machine motionless.	Fault with drive circuit internal relay	Replace the drive circuit board.
HPD	Machine motionless.	Message appears if the accelerator pedal is depressed when turning on the machine, or if the potentiometer is not correctly adjusted.	Switch the machine off and back on with the accelerator pedal released. Check the potentiometer adjustment.
MOSFET FAULT	Machine motionless.	Mosfet failure or short circuit on drive circuit board.	Replace the drive circuit board.
ERROR EEPROM 2	Machine motionless.	Defective drive circuit board software.	Replace the drive circuit board.
SERVICE	/	SERVICE function active.	Contact a service centre.
BATTERY DISCHARGED	Services inhibited, drive enabled.	Battery voltage lower than 18.3V (GEL/AGM batteries) or 18V (Acid batteries).	Recharge the batteries, or replace them.
COWLING OPEN	Machine motionless.	Cowling raised or not properly shut.	Shut the cowling. Check the cowling safety microswitch. Check the wiring.

# USER MENU

To access the USER MENU:

- Turn the ignition key to switch the machine off.
- Press the Programming and Suction buttons at the same time, then switch the machine on by turning the ignition key.

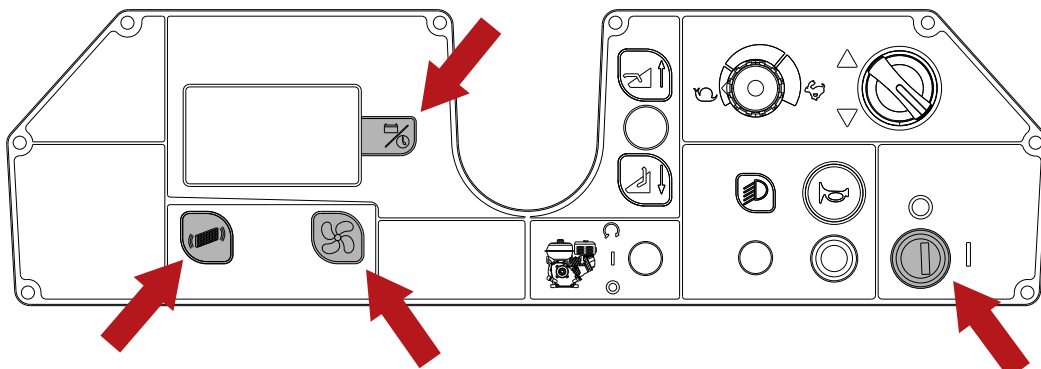
Pressing the Programming button, the user can select a parameter, make a change and save the new setting.

Pressing the Suction button, the user can change (increase) the value of the selected parameter or navigate other items of the user menu.

Pressing the Filter Shaker button, the user can change (decrease) the value of the selected parameter or navigate other items of the user menu.

To quit the user menu, select EXIT and press the Programming button to confirm.

Parameter	Description
LANGUAGE	Sets the language used on the display.
TECHNICAL INFORMATION	Indicates the Hardware and Software release of the circuit board.
BATTERY TYPE	Sets the type of battery installed in the machine, GEL/AGM or ACID (WET).
AUTO POWER-OFF	Selects the length of delay before machine functions are shut off following release of the accelerator pedal. 0 = function not active. 1 - 10 = time from 1 to 10 seconds.
FILTER SHAKER	Selects the operating mode of the filter shaker with the machine in use. MANUAL = automatic filter shake disabled. 5 - 30 = time from 5 to 30 minutes, determining activation of the filter shaker in automatic mode.
MACHINE TYPE	Selects the machine version. BATTERY = battery powered version. DUAL POWER = dual power version.
SERVICE MENU	Technical menu
START PAGE	Selection of display logo. 0 = no logo. 1 = standard logo. 2 - 10 = customized logos.
RESET HOUR COUNTER	Resets the hour count to zero. 1 = reset hour meter.
RESET SERVICE HOURS	Resets the service hours to zero. 1 = reset hour meter.
SERVICE HOURS	Activates the "Call Service" message on the display, for maintenance scheduling purposes. 0 = function not active. 50 - 500 = time in hours.
EXIT	Selected to quit the user menu.



## RECOMMENDED SPARE PARTS

Part Number	Descriptions
SPPV75791	Main Brush, PPL
SPPV01379	Main Brush, PPL - Soft ( Carpet)
SPPV00013	Main Brush, Mix Soft/steel - Medium
SPPV75793	Main Brush, Mix PPL/Steel - Abrasive
PMVR00283	Side Brush, PPL (Standard)
PMVR07065	Side Brush, Mix PPL/Steel - Abrasive (Option)
MPVR75936	Side Flap
MPVR75935	Front Flap
MPVR75934	Rear Flap
KTRI04766	Flap Kit, non-marking (Option)
FTDP76070	Filter Panel, Polyester (Standard)
FTDP76067	Filter Panel, Paper (Option)
MTCG00139	Belt d.8 710
MTCG00138	Belt d.10 710
CUVR17004	Brush Bearing
CMCV00451	Cable, Main Brush Lift
CMCV75904	Sheath, Main Brush Lift Cable
KTRI02289	Traction Potentiometer
KTRI05576	Speed Limit Potentiometer
GUVR00625	Waste Container Gasket
VEVR00070	Fan Motor
9018332	Fuse, 50A, Brush Motor
MOCC87164	Brush Motor
9017784	Brush Motor Carbons
MOCC00443	Side Brush Motor (left side)
MOCC00442	Side Brush Motor (right side)
MEVR31145	Side Brush Motor Carbons
MELF33431	Lamp, Beacon
MOCC00445	Traction Motor
MEVR02107	Traction Motor Carbons
RTRT00548	Front Rubber Wheel
PMVR02380	Rear Rubber Wheel
KTRI02348	Wheel Kit, non-marking (Option)
CUVR00005	Main Brush Pulley Bearing
MECI75801	Microswitch, Brush
MLML85997	Pedal Spring

MECE00591	Display Board
MECE00592	Service Board
MECE00925	Traction Board
MECE00915	Inverter Board
MECI00532	Main Contactor, 24V-100A
MECE00201	Relay 24V 10-20A
994203	Battery, 06Vdc 0180Ah, Gel [5H,GF06180]
L-390764	Battery, 6Vdc, 180Ah, Gel [Trojan]
L-GF06180V	Battery, 6Vdc, 180Ah, Gel [Exide]
9015391	Charger Kit, 24VDC, Off-Board [Delta-Q]
1026325	Battery Charger Power Cord [Delta-Q Charger]
MECB02065	Battery Charger Power Cord [Supplied SPE Charger]



**Tennant Company**

10400 Clean Street

Eden Prairie, MN 55344-2650

Phone: (800) 553- 8033

[www.tennantco.com](http://www.tennantco.com)