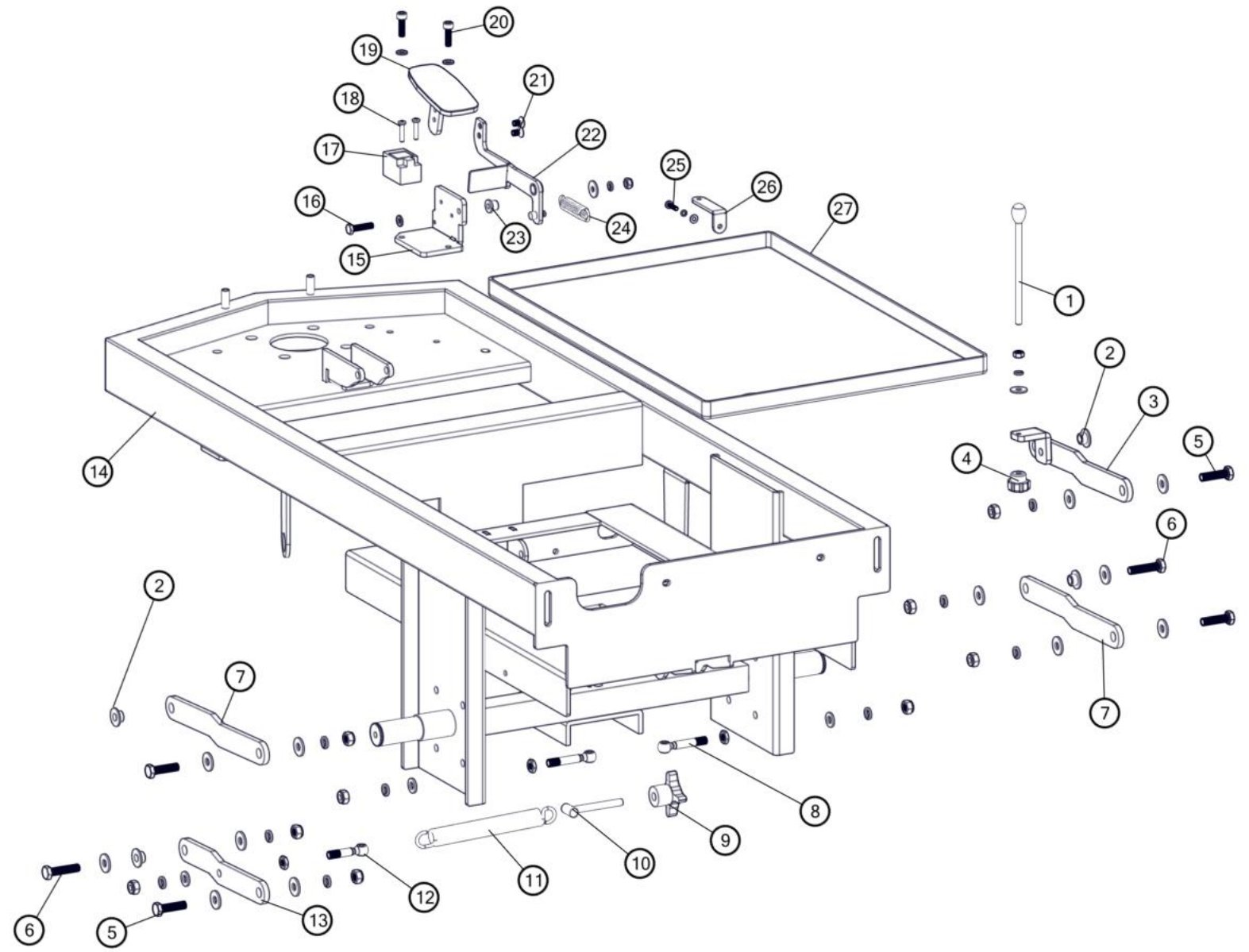


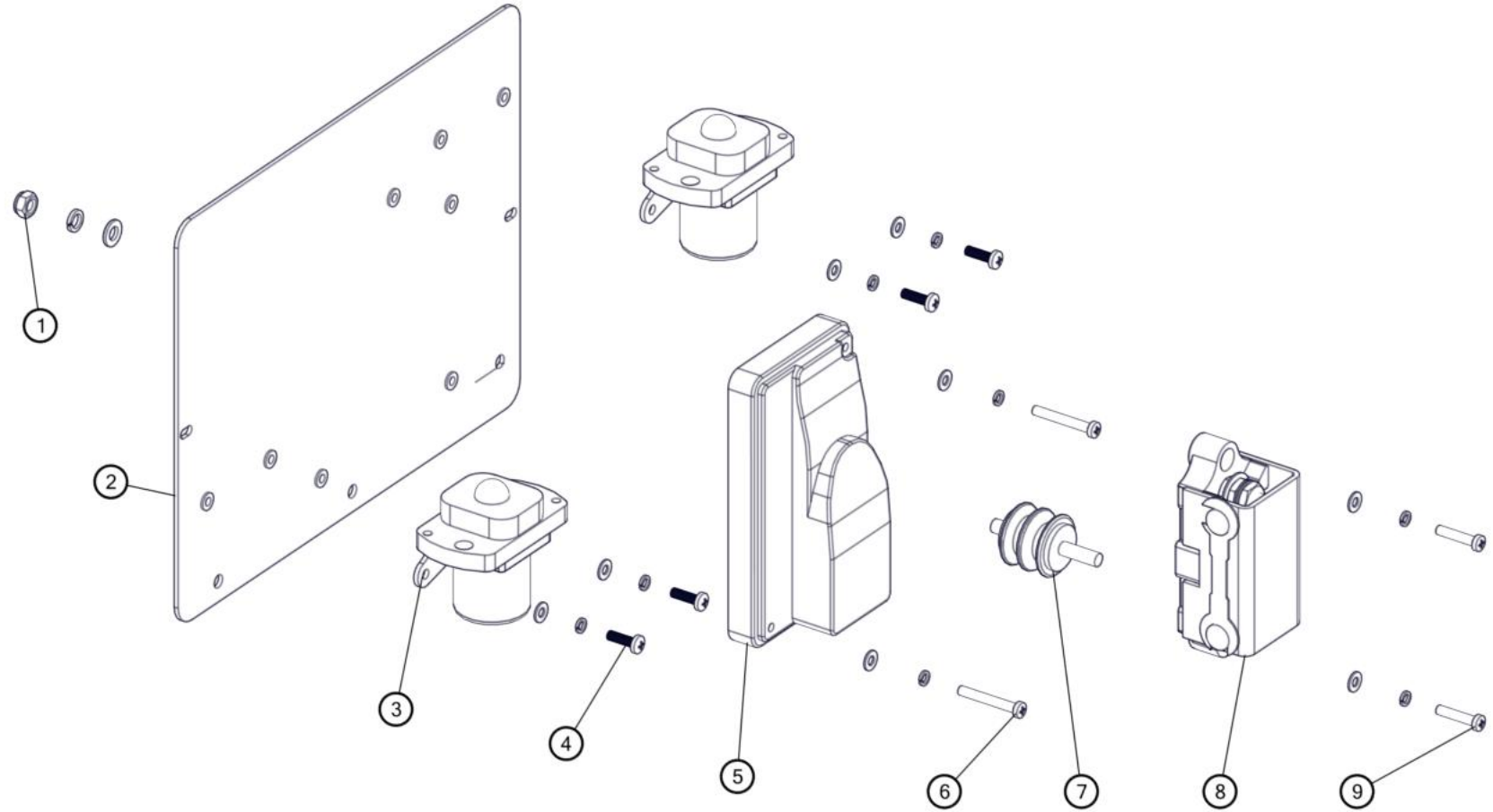
Ref.	Part No.	Description	名称	Qty.
1	CN4000100	M8*40 square neck screw	M8*40方颈螺丝	1
2	07786	NUT, HEX, STD, M8 X 1.25, SS	M8螺母	1
	CN4000374	M8 increase the gasket	M8加大平垫	1
3	CN5001237	Mini brake spring	mini刹车弹簧	1
4	CN4000131	M8 * 75 socket head	M8*75内六角	4
	CN4000406	GASKET, M8	M8弹垫	4
	CN4000373	GASKET, M8 16X1MM	M8平垫	4
5	CN5000920	Turn to big sprocket	转向大链轮	1
6	CN4001060	GM110 overall front steering chain	整体前驱转向链条	1
7	1033003	SCREW, HEX, M12 X 1.75 X 25, NL, SS	M12*25外六角	4
	CN4000408	M12 pad, stainless steel	M12弹垫	4
	33925	WASHER, FLAT, M12, SS	M12平垫	4
8	CN5000223	Mini main frame	MINI主架	1
9	TN5006622	T560 Rear wheel exterior cover	T560车轮外盖	2
10	CN4000485	Ring, Retaining, Ext, $\phi$ 25	$\phi$ 25轴卡	2
11	CN4000518	Bearing 6205, 6205	6205轴承	4
12	CN5005251	GMmini aluminum rear wheel	GMmini铝合金后轮	2
13	CN4000868	Pin, Cotter, $\phi$ 2X20,	开口销 $\phi$ 2X20	1
14	CN5000929	Zip pulley	拉链滑轮	1
15	CN5000271	GMmini pick chain	GM-MINI吸扒链条	1
16	CN5001382	Zip pulley bushing	拉链滑轮衬套	1
17	CN4000872	Pin, Clevis, $\phi$ 6X55	销轴 $\phi$ 6X55	1
18	09010	SCREW, HEX, M8 X 1.25 X 25, SS	M8X25外六角	2
	CN4000373	GASKET, M8 16X1MM	M8平垫	2
19	CN4000858	Pin, Clevis, $\phi$ 8X50	销轴 $\phi$ 8X50加工	2
	CN4000373	GASKET, M8 16X1MM	M8平垫	2
	CN4000869	Pin, Cotter, $\phi$ 3X15	开口销 $\phi$ 3X15	2
20	CN5003083	Front push rod wire harness assembly	前推杆线束组件	1
	07786	NUT, HEX, STD, M8 X 1.25, SS	M8螺母	1
	CN5000923	Putter head	推杆头, GM110	1
21	CN5000256	Mini brush head chain	MINI刷头链条	1
22	CN5000203	Mini foot pedal bracket	mini脚踏板支架	1
23	CN4000862	Pin, Clevis, $\phi$ 8X70	M8*70销轴	1
	CN4000373	GASKET, M8 16X1MM	M8平垫	1
	CN4000869	Pin, Cotter, $\phi$ 3X15	开口销 $\phi$ 3X15	1
24	CN5000963	Mini brush head push rod copper bushing	刷头开关铜衬套	1
25	CN4000875	Pin, Clevis, $\phi$ 6X60	销轴 $\phi$ 6X20	2
	CN4000370	SPACER, M6 12X.88MM	M6平垫	2
	CN4000868	Pin, Cotter, $\phi$ 2X20	开口销 $\phi$ 2X20	2
	CN5000254	Mini brush head push rod arm (welding)	刷头推杆臂焊接	1

26	CN4000370	SPACER, M6 12X.88MM	M6平垫	1
	CN4000868	Pin, Cotter, $\phi$ 2X20	开口销 $\phi$ 2X20	1
27	CN4000143	M6 * 20 Allen	M6*20内六角	2
	CN4000370	SPACER, M6 12X.88MM	M6平垫	4
	CN4000405	WASHER M6	M6弹垫	2
	08712	NUT, HEX, LOCK, M6 X 1.00, NL, SS	M6自锁螺母	2
28	CN5000235	Mini brush head switch base	mini刷头开关底座	1
29	CN5003084	Rear-push rod wiring harness assembly	后推杆线束组件	1
	07786	NUT, HEX, STD, M8 X 1.25, SS	M8螺母	1
	CN5000923	Putter head	推杆头, GM110	1
30	15678	SCREW, HEX, M6 X 1.00 X 16, SS	M6X16外六角	2
	CN4000405	WASHER M6	M6弹垫	2
	CN4000370	SPACER, M6 12X.88MM	M6平垫	2
31	CN4000067	M6 * 35 hex	M8X35外六角	1
	CN4000373	GASKET, M8 16X1MM	M8平垫	2
	CN4000406	GASKET, M8	M8弹垫	1
	08713	NUT, HEX, LOCK, M8 X 1.25, NL, SS	M8自锁螺母	1
32	CN5000954	Push rod lever copper bushing	推杆杠杆铜衬套	1
33	CN5000180	Pull open and close lever	吸扒开关杠杆	1
	CN4000370	SPACER, M6 12X.88MM	M6平垫	1
	CN4000868	Pin, Cotter, $\phi$ 2X20	开口销 $\phi$ 2X20	1
34	CN5000204	Pull open and close base	吸扒开关底座	1



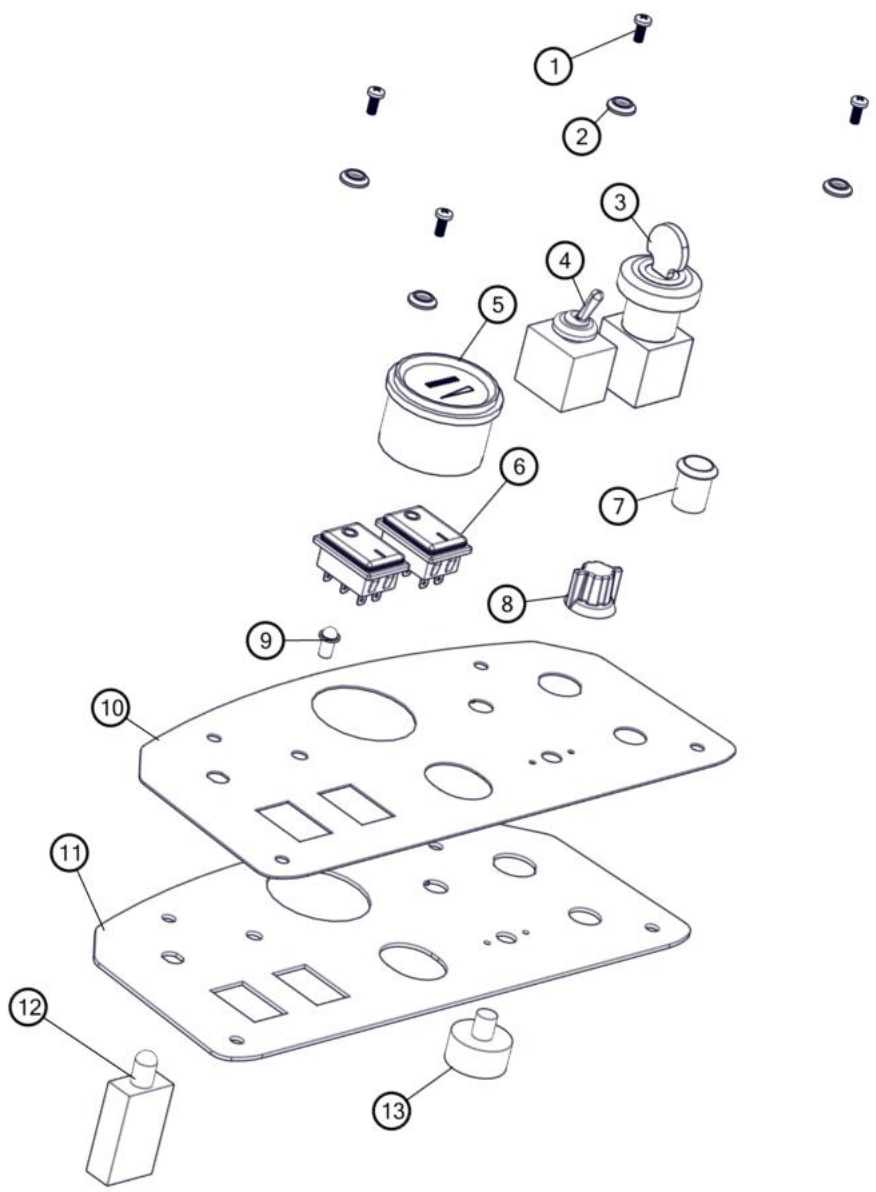
Ref.	Part No.	Description	名称	Qty.
1	CN5002292	Brush head balancing sleeve	刷头平衡套	1
	CN4000461	forearm adjusting screw M6X125mm	螺杆M6×125mm全丝	1
	07785	NUT, HEX, STD, M6 X 1.00, SS	M6螺母	1
	CN4000405	M6 play mat	M6弹垫	1
	01684	WASHER, FLAT, 0.27B 0.69D .05, SS	M6加大平垫	1
2	CN5000796	GM50B motor connection copper bushing	连杆铜衬套	4
3	CN5000253	Mini motor connecting rod (welding)	电机连接杆焊接	1
4	CN4000784	M6X25 inner wire star nut	M6×25内丝星形螺母	1
5	09023	SCREW, HEX,M8 X 1.25 X 35, FL, SS	M8X35外六角	4
	CN4000374	M8 increase the gasket	M8加大平垫	8
	CN4000406	M8 play mat	M8弹垫	4
	08713	NUT, HEX, LOCK, M8 X 1.25, NL, SS	M8自锁螺母	4
6	76570	SCREW, HEX,M8 X 1.25 X 30, 8.8	M8*30外六角	2
	CN4000374	M8 increase the gasket	M8加大平垫	4
	CN4000406	M8 play mat	M8弹垫	2
	08713	NUT, HEX, LOCK, M8 X 1.25, NL, SS	M8自锁螺母	2
7	CN5000186	Mini motor connecting rod (long), GMmin	电机连接杆长	2
8	CN4000176	M8*50 live screw	M8*50活节螺丝	2
	07786	NUT, HEX, STD, M8 X 1.25, SS	M8螺母	2
	CN4000373	M8 gasket	M8平垫	2
	CN4000406	M8 play mat	M8弹垫	2
	08713	NUT, HEX, LOCK, M8 X 1.25, NL, SS	M8自锁螺母	2
9	CN4000788	M6 square nut	M6四角螺母	1
10	CN4000461	forearm adjusting screw M6X125mm	螺杆M6×125mm全丝	1
	CN5000797	GM50B forearm adjusting spring pin	前臂调节弹簧销	1
11	CN5001207	GM50B adjustment spring	GM50B 压轮调节弹簧	1
12	CN4000175	M8*40 live screw	M8*40活节螺丝	1
	07786	NUT, HEX, STD, M8 X 1.25, SS	M8螺母	1
	CN4000373	M8 gasket	M8平垫	1
	CN4000406	M8 play mat	M8弹垫	1
	08713	NUT, HEX, LOCK, M8 X 1.25, NL, SS	M8自锁螺母	1
13	CN5000188	Mini motor connecting rod (short)	电机连接杆短	1
14	CN5000223	Mini main frame, GMmini	MINI主架	1
15	CN5000351	Mini drives pedal base	mini驱动脚踏板底座	1
16	09007	SCREW, HEX, M6 X 1.00 X 25, SS	M6*25外六角	1
	CN4000370	M6 flat pad	M6平垫	1
	01684	WASHER, FLAT, 0.27B 0.69D .05, SS	M6加大平垫	1
	CN4000405	M6 play mat	M6弹垫	1
	08712	NUT, HEX, LOCK, M6 X 1.00, NL, SS	M6自锁螺母	1
17	CN5003081	Access switch wiring harness assembly	接近开关线束组件	1

18	CN4000112	M4*25 large pan head cross	M4*25大盘头十字	2
19	CN5000234	Mini drive pedal upper arm	驱动脚踏板上臂	1
	CN5003638	FB2017 hook stick back	FB2017回钩贴	1
20	CN4000143	M6 * 20 Allen	M6*20内六角	2
	CN4000370	M6 flat pad	M6平垫	2
21	CN4000123	M6*10 countersunk hexagon socket head	M6*10沉头内六角	2
22	CN5000233	Mini drive foot lower arm, GMmini	驱动脚踏板下臂	1
23	CN5000927	Drive pedal copper bushing	驱动脚踏板铜衬套	1
24	CN5001211	GM50B suction spring	吸水扒弹簧	1
25	24265	SCREW, PAN, PHL, M4 X 0.70 X 16, SS	M4*16盘头十字	1
	CN4000403	The M4 play mat	M4弹垫	1
	41579	WASHER, FLAT, 08, SS	M4平垫	1
26	CN5000191	Mini water pipe bracket	水管支架	1
27	CN5002034	GMmini battery base	GMmini电瓶底座	1

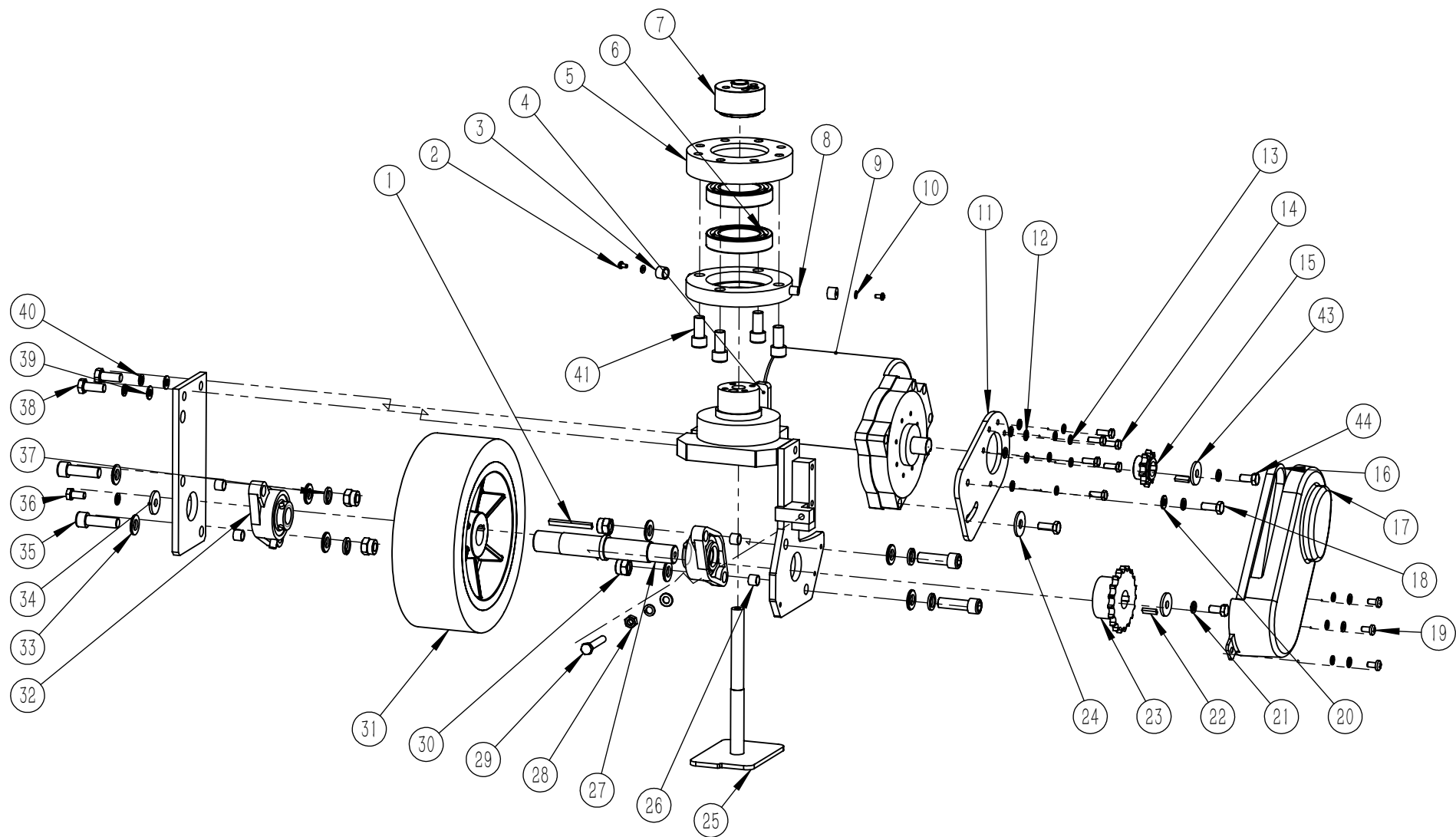


Ref.	Part No.	Description	名称	Qty.
1	08712	NUT, HEX, LOCK, M6 X 1.00, NL, SS	M6自锁螺母	1
	CN4000405	M6 play mat	M6弹垫	1
	CN4000370	M6 flat pad	M6平垫	1
2	CN5000228	Mini electric mounting plate	电器安装板	1
3	CN5001703	New dc contactor sw60-40p	新直流接触器SW60-40P	2
4	CN4000194	M4*14 large pan head cross	M4X14大盘头十字	4
	41579	WASHER, FLAT, 08, SS	M4平垫	4
	CN4000403	The M4 play mat	M4弹垫	4
5	CN5006632	D2 drive controller	D2控制器	1
6	33931	SCREW, PAN, PHL, M4 X 0.70 X 30, SS	M4X30大盘头十字	2
	41579	WASHER, FLAT, 08, SS	M4平垫	2
	CN4000403	The M4 play mat	M4弹垫	2
7	CN5001698	Insulated pile head GM110	绝缘桩头	1
8	CN5001636	100A box. 100A	100A保险盒	1
9	12323	SCREW, PAN, PHL, M4 X 0.70 X 20, SS	M4X20大盘头十字	2
	41579	WASHER, FLAT, 08, SS	M4平垫	8
	CN4000403	The M4 play mat	M4弹垫	8



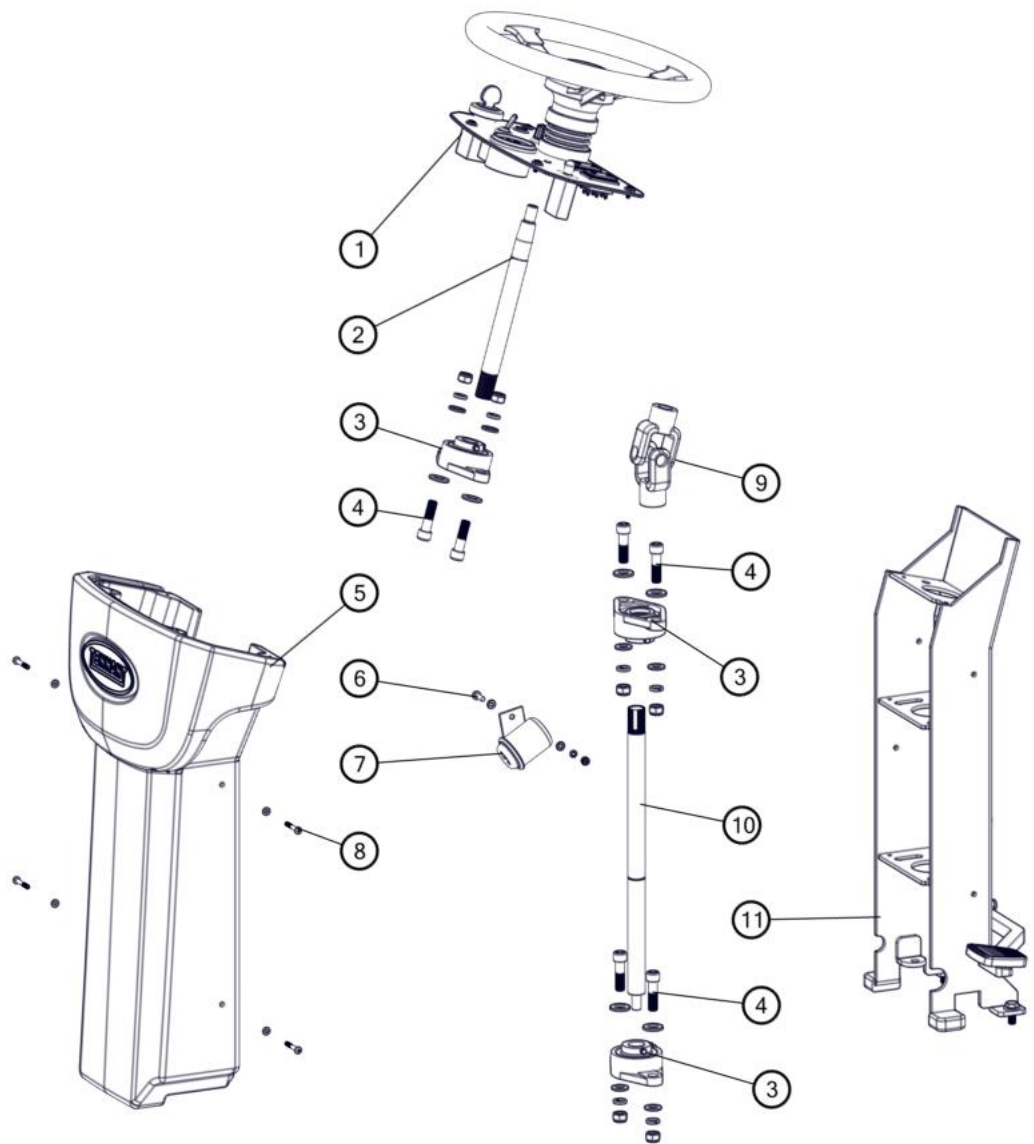


Ref.	Part No.	Description	名称	Qty.
1	CN4000038	M4*12 large pan head cross	M4X12大盘头十字	4
2	CN5005283	S1900 panel plastic pad (black nylon	S1900面板塑料垫	4
3	CN5001546	GM50B with emergency stop key switch	带急停钥匙开关	1
	CN5001555	GM50B with emergency stop key switch key	带急停钥匙开关钥匙	1
4	CN5001536	GM110 direction switch kng3-302	GM110方向开关	1
5	CN5001671	GM50B battery gauge 24V	GM50B 电池用量表24V	1
6	CN5001535	GM110 brush and suction power switch	刷子及吸水电源开关	2
7	CN5001538	Horn switch, GM110	喇叭开关 (GM110)	1
8	CN4000638	GM70BT speed control switch knob	GM70BT调速开关旋钮	1
9	CN5001841	Fault indicator light 24V	故障指示灯	1
10	TN5006614	T560 Panel stickers	T560面板贴纸	1
11	TN5006603	T560 Control Panel	T560控制面板	1
12	CN5001643	5A protector (with waterproof cap)	5A保护器(连防水帽)	1
13	CN5001716	Potentiometer, r24cb-10-20s-b5k-l1 (G)	电位器	1
	CN5002324	Governor leather pad	调速器皮垫	1

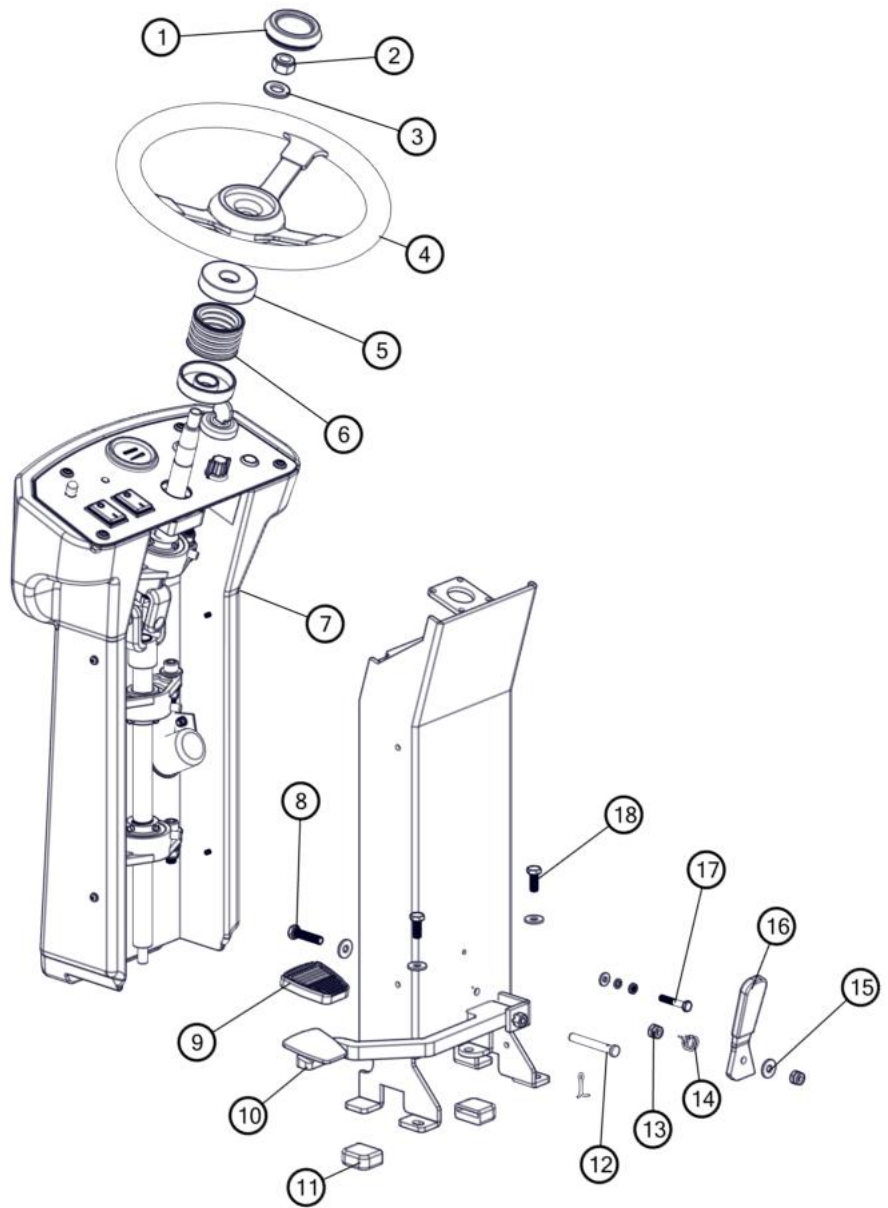


Ref.	Part No.	Description	名称	Qty.
1	CN4000792	6 x6x50mm key	6X6X50mm键	1
2	CN4000040	M4*10 large pan head cross	M4*10大盘头十字	2
3	CN5000934	Steering cushion, GM110	转向减震垫	2
4	CN5000236	mini front wheel main frame	mini前轮主架(含侧板)	1
5	CN5000916	Steering bearing cover	转向轴承上盖	1
6	CN4000519	6010 bearing	6010轴承	2
7	CN5000917	Steering coupling shaft (stop purchase)	转向连接轴	1
8	CN5000915	Steering bearing lower cover	转向轴承下盖	1
9	CN5002407	GM110 front drive motor	GM110前驱动电机	1
10	CN4000367	M4 increase the gasket	M4加大平垫	2
11	CN5000194	Drive motor mounting plate	驱动电机安装板	1
12	CN4000370	M6 flat pad	M6平垫	9
13	CN4000405	M6 play mat	M6弹垫	9
14	15678	SCREW, HEX, M6 X 1.00 X 16, SS	M6*16外六角	6
15	CN5000918	Drive sprocket, GM110 C4 10	驱动小链轮	1
16	CN4001059	GM110 drive chain before assembly	GM110组装前驱动链条	1
17	CN5002391	Mini front drive shield	mini前驱动护罩	1
18	09010	SCREW, HEX, M8 X 1.25 X 25, SS	M8*25外六角	2
19	363503	SCREW, PAN, PHL, M6 X 1.00 X 12, SS	M6*12大盘头十字	3
20	CN4000373	M8 gasket	M8平垫	1
21	CN4000406	M8 play mat	M8弹垫	5
22	CN4000794	6 x6x30mm key	6X6X30mm键	1
23	CN5000937	Drive big sprocket, GM110 B4 19	驱动大链轮	1
24	CN4000374	M8 increase the gasket	M8加大平垫	1
25	CN5000200	Mini brake pad	mini刹车板	1
26	CN5000961	Drive bearing bushing	驱动轴承衬套	4
27	CN5000919	Drive axle, GM110	驱动轮轴	1
28	07786	NUT, HEX, STD, M8 X 1.25, SS	M8螺母	1
29	CN4000157	M8*35 hexagon socket plain end set screw	M8*35内六角紧定螺钉	1
30	09741	NUT, HEX, LOCK, M12 X 1.75, NL, SS	M12自锁螺母	4
31	CN5002260	GM110 front wheel (red)	GM110前轮(红色)	1
32	CN4000542	Mount bearing UCFL205, UCFL205	连座轴承UCFL205	2
33	33925	WASHER, FLAT, M12, SS	M12平垫(不锈钢)	8
34	CN5000192	Front axle cover,	前轮轴盖	2
35	CN4000115	M12 * 40 Allen	M12*40内六角(12.9级)	4
36	15675	SCREW, HEX, M8 X 1.25 X 16, SS	M8*16外六角	1
37	CN4000408	M12 pad, stainless steel	M12弹垫	4
38	CN4000171	M10 * 25 hex	M10*25外六角(12.9级)	2
39	140036	WASHER .375 FLAT SAE SS	M10平垫	4
40	CN4000407	M10 play mat	M10弹垫	2

41	CN4000113	M12 x 25 Allen	M12*25内六角(12.9级)	4
43	CN4000375	M8 extra-large gasket	M8特大平垫	1
44	CN4000281	M8*16 outer hexagonal thin head	M8*16外六角 (加工)	1

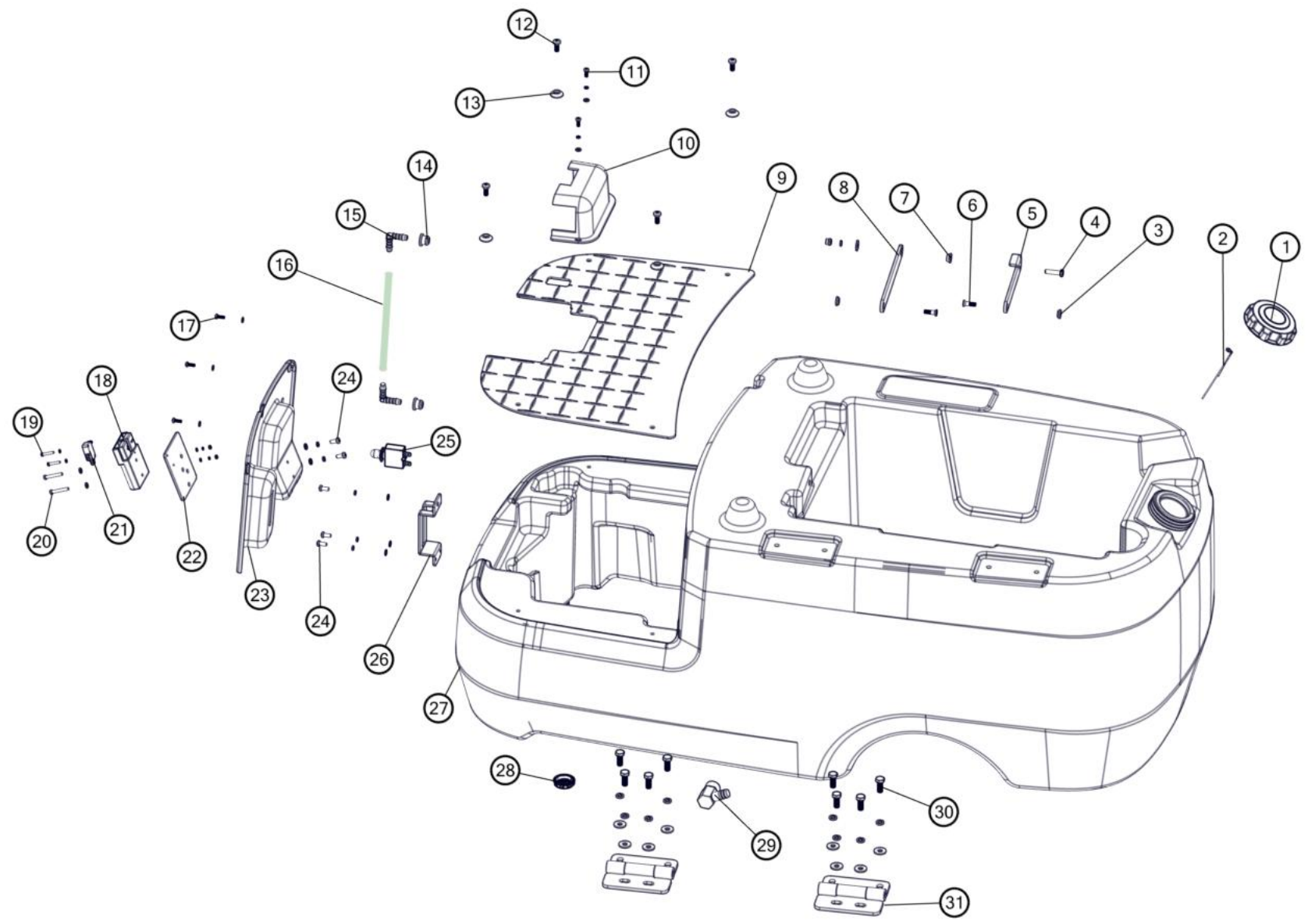


Ref.	Part No.	Description	名称	Qty.
1	组件	Panel assembly	面板组件	1
2	TN5006623	T560 steering wheel upper axle	T560方向盘上轴	1
3	CN4000543	Mount bearing UCFL204, UCFL204	连座轴承 UCFL204	6
4	CN4000147	M10 * 35 Allen	M10X35内六角	6
	CN4000407	M10 play mat	M10弹垫	6
	140036	WASHER .375 FLAT SAE SS	M10平垫	12
	08714	NUT, HEX, LOCK, M10 X 1.5, NL, SS	M10自锁螺母	6
5	TN5006522	cover, front Console 2.5kg[T560]	T560控制台外罩	1
6	CN4000053	M5*16 large pan head cross	M5X16盘头十字	1
	140011	WASHER, FLAT, 0.21B 0.45D .03, SS	M5平垫	2
	CN4000404	The M5 play mat	M5弹垫	1
	09739	NUT, HEX, LOCK, M5 X 0.80, NL, SS	M5自锁螺母	1
7	CN5003222	Continuous buzzer wire harness	连续蜂鸣器线束	1
8	33931	SCREW, PAN, PHL, M4 X 0.70 X 30, SS	M4X30大盘头十字	4
	CN5005283	S1900 panel plastic pad (black nylon	S1900面板塑料垫	4
9	CN4000819	AC universal joint	AC万向节	1
	CN4000313	M8*35 hexagon socket 12.9 grade	M8*35内六角12.9级	2
	CN4000373	M8 gasket	M8平垫	4
	08713	NUT, HEX, LOCK, M8 X 1.25, NL, SS	M8自锁螺母	2
10	CN5000936	Mini steering shaft, GMmini	MINI方向盘下轴	1
11	组件	Console component	控制台组件II	1



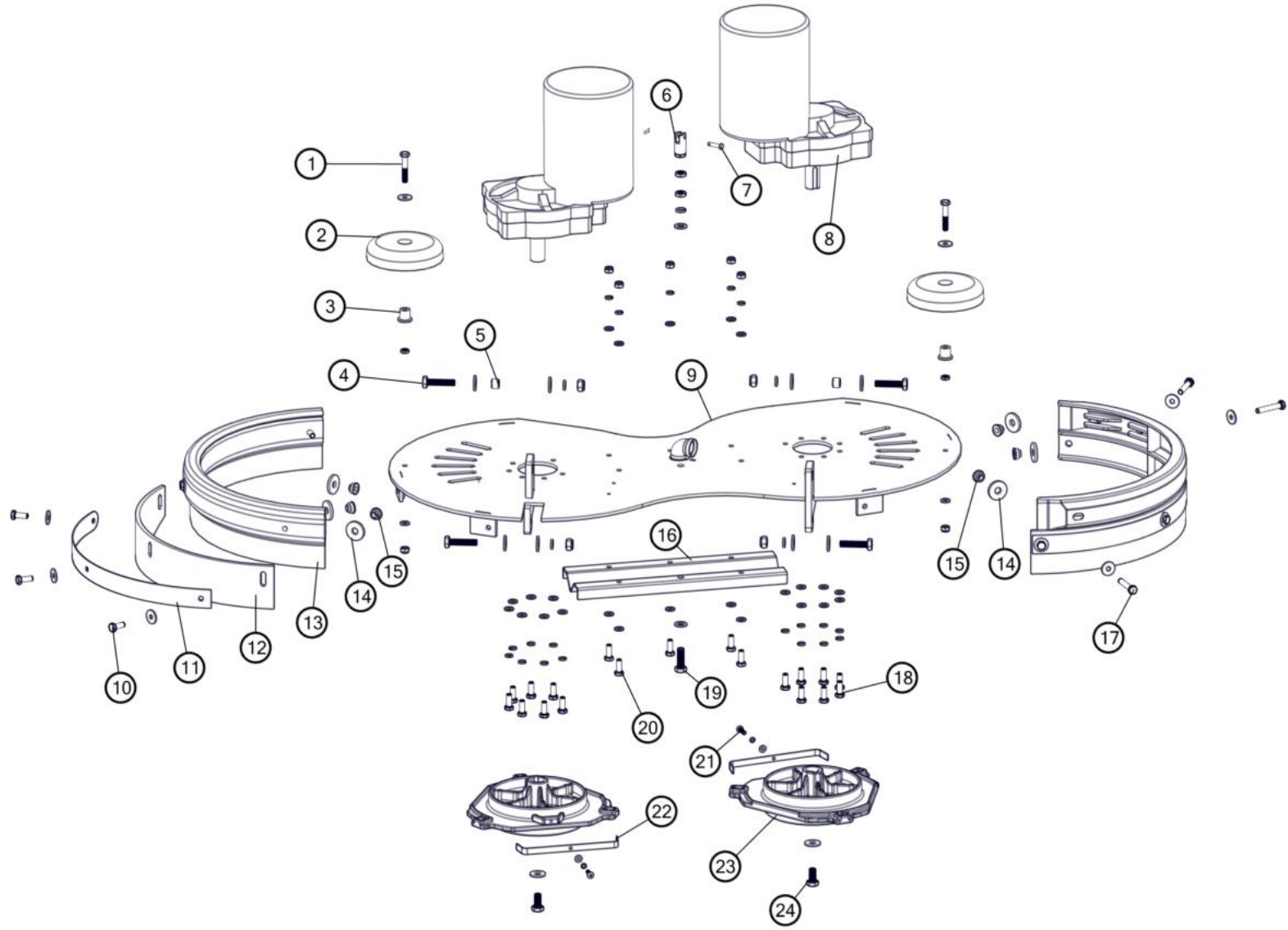


Ref.	Part No.	Description	名称	Qty.
1	1019706	CAP, WHEEL, STEERING	方向盘盖	1
2	09741	NUT, HEX, LOCK, M12 X 1.75, NL, SS	M12自锁螺母	1
3	33925	WASHER, FLAT, M12, SS	M12平垫	1
4	1012002	WHEEL, STEERING, 300MM	T7方向盘	1
5	CN5006475	1400 bellows base	1400波纹管底座	2
6	CN5005190	Console telescopic tube	控制台伸缩管	1
7	组件	Console component I	控制箱I组件	1
8	09023	SCREW, HEX, M8 X 1.25 X 35, FL, SS	M8X35外六角	1
	CN4000373	M8 gasket, 8.4*16*1mm	M8平垫	1
9	CN4000765	GM50B foot leather case	GM50B脚踏皮套	1
10	CN5000226	Mini brake arm, GMmini	刹车臂	1
11	CN5002289	Rubber sleeve for main frame of mini	方向盘主架橡胶套	2
12	CN4000860	Pin, Clevis, $\phi$ 8X60	销轴M8X60	1
	CN4000869	Pin, Cotter, $\phi$ 3X15	开口销 $\phi$ 3X	1
13	08713	NUT, HEX, LOCK, M8 X 1.25, NL, SS	M8自锁螺母	1
14	CN5001232	Brake handle spring	刹车手柄弹簧	1
15	CN4000373	M8 gasket	M8平垫	1
	08713	NUT, HEX, LOCK, M8 X 1.25, NL, SS	M8自锁螺母	1
16	CN5000170	Brake handle, GM110	刹车手柄	1
17	CN4000267	M6*35 hexagon socket plain end set screw	M6*35内六角紧定螺钉	1
	07785	NUT, HEX, STD, M6 X 1.00, SS	M6螺母	1
	CN4000405	M6 play mat	M6弹垫	1
	CN4000370	M6 flat pad	M6平垫	1
24	09740	SCREW, HEX, M8 X 1.25 X 20, SS	M8X20外六角	2
	CN4000373	M8 gasket	M8平垫	2



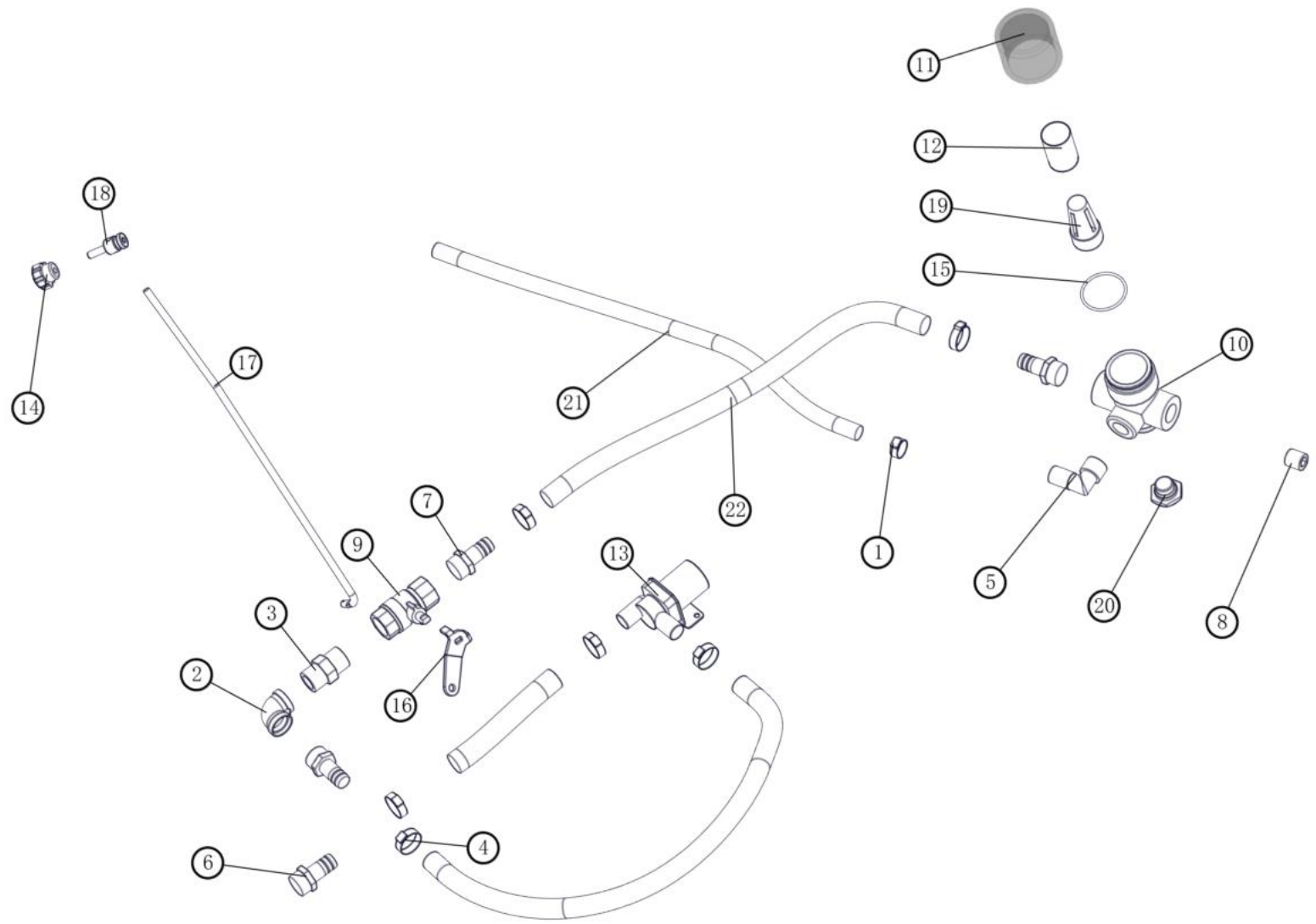
Ref.	Part No.	Description	名称	Qty.
1	CN5002064	Outer silk clear water tank cover	外丝清水箱盖	1
	CN5002065	Outer silk clear water tank cover block	外丝清水箱盖挡片	1
2	CN4000781	Anti - loss chain	防丢链条	1
	CN5001274	Anti-loss chain spring	防丢链卡簧	1
	CN4000040	M4*10 large pan head cross	M4*10盘头十字	1
3	CN5000959	Mini sewage tank pole copper bushing	mini污水箱撑杆铜衬套	2
4	09007	SCREW, HEX, M6 X 1.00 X 25, SS	M6X25外六角	1
	01684	WASHER, FLAT, 0.27B 0.69D .05, SS	M6加大平垫	1
	CN4000405	M6 play mat	M6弹垫	1
	08712	NUT, HEX, LOCK, M6 X 1.00, NL, SS	M6自锁螺母	1
5	CN5000239	Mini sewage tank bottom support rod	mini污水箱下支撑杆	1
6	CN4000148	M8*16 flat cross	M8X16平头十字	2
7	CN5000960	Sewage tank support rod assembly copperb	污水箱支撑杆铜衬套	1
8	CN5000240	Mini sewage tank support pole,	mini污水箱上支撑杆	1
9	TN5006602	T560 Foot Pedal (Patterned iron Plate)	T560脚踏板(花纹铁板)	1
10	CN5002385	Handbrake shield	刹车护罩	1
11	CN4000038	M4*12 large pan head cross	M4X12大盘头十字	2
	CN4000403	The M4 play mat	M4弹垫	2
	41579	WASHER, FLAT, 08, SS	M4平垫	2
12	CN4000214	M6*16 small disc head cross	M6X16小盘头十字	4
13	CN5002016	Pedal plastic pad	脚踏板塑料垫	4
14	CN5002261	Clear pipe elbow sheath	透明管弯头护套	2
15	CN5002131	Transparent pipe elbow (new style)	透明管弯头(新式)	2
16	CN5002860	PVC transparent hose, 180MM	PVC透明软管	1
17	CN4000038	M4*12 large pan head cross	M4X12大盘头十字	2
	41579	WASHER, FLAT, 08, SS	M4平垫	2
18	CN5002940	8 Gmmini wiring harness	线束8	1
19	CN4001147	screw,pan head,M3*25	M3*25 盘头螺丝	2
	CN4000402	The M3 spring washers	M3弹垫	2
	CN4000365	M3 flat pad	M3平垫	4
	579211	NUT, HEX, LOCK, M3 X 0.50, NL, SS	M3自锁螺母	2
20	CN4000125	The M5 * 30 Allen	M5X30内六角	2
	140011	WASHER, FLAT, 0.21B 0.45D .03, SS	平垫 M5	2
21	TN5100004	SWITCH,MIRCRO CH16Z-A200	R型摆杆微动开关	1
22	TN5000008	T560 plug pad	T560插头垫板	1
23	TN5100011	T560 tank front cover	T560清水箱前罩	1
24	CN4000135	M5*12 pan head cross	M5X12盘头十字	5
	CN4000404	The M5 play mat	弹垫 M5	5
	140011	WASHER, FLAT, 0.21B 0.45D .03, SS	平垫 M5	5
25	CN5001647	25A protector (including waterproof cap)	25A保护器 (含防水帽)	1

26	CN5000238	Mini water valve handle holder	水阀拉手支架	1
27	TN5006520	TANK, SOLTN, 17kg [T560]	T560清水箱	1
28	CN5001935	GM50B clear water tank plug	清水堵头 (带密封)	1
	CN5002217	GM50B clean water tank plug gasket	清水箱堵头密封垫	1
29	CN5001386	G1/2 outer wireX $\phi$ 12 elbow	G1/2外丝 $\times$ $\phi$ 12弯头	1
30	09740	SCREW, HEX, M8 X 1.25 X 20, SS	M8X20外六角	8
	CN4000406	M8 play mat	M8弹垫	8
	CN4000374	M8 increase the gasket	M8加大平垫	8
31	CN4001199	110*60*20 cold rolled hinge (grey)	冷轧铰链(灰色)	2



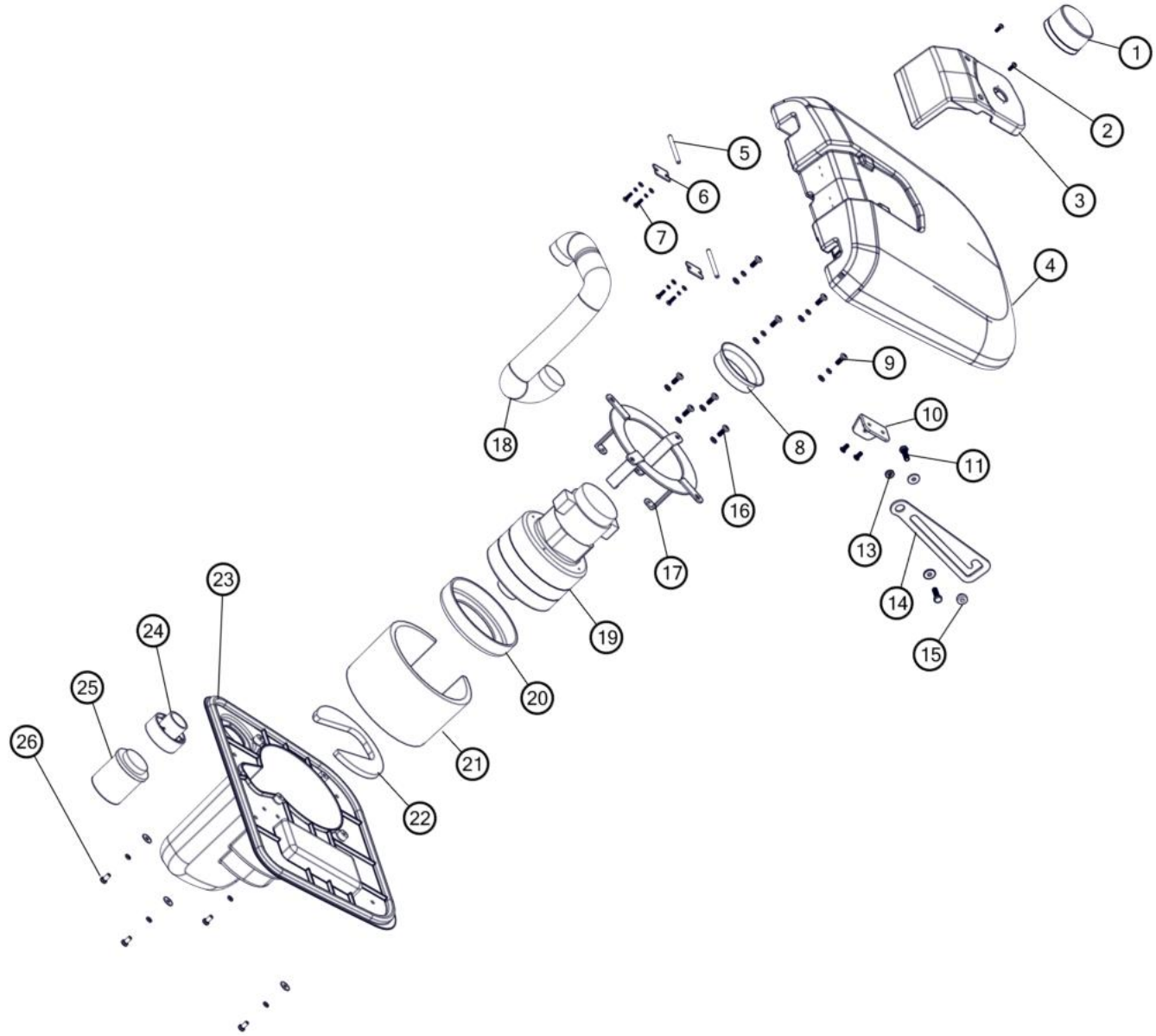
Ref.	Part No.	Description	名称	Qty.
1	CN4000067	M6 * 35 hex	M6X35外六角	2
	CN4000370	M6 flat pad	M6平垫	4
	07785	NUT, HEX, STD, M6 X 1.00, SS	M6螺母	2
	CN4000405	M6 play mat	M6弹垫	2
	08712	NUT, HEX, LOCK, M6 X 1.00, NL, SS	M6自锁螺母	2
2	CN5001941	BM50B guide wheel, material: PA66 black	GM50B导向轮	2
3	CN5001936	GM50B guide wheel pad outer	GM50B导向轮衬垫	2
4	09023	SCREW, HEX, M8 X 1.25 X 35, FL, SS	M8X35外六角	4
	CN4000374	M8 increase the gasket	M8加大平垫	4
	CN4000406	M8 play mat	M8弹垫	8
	08713	NUT, HEX, LOCK, M8 X 1.25, NL, SS	M8自锁螺母	4
5	CN5000805	GM70BT brush plate motor mounting plate	70B前臂铜衬套12X8X6	2
6	CN5000962	Brush head chain joint	刷头链条接头	1
	07786	NUT, HEX, STD, M8 X 1.25, SS	M8螺母	2
	CN4000406	M8 play mat	M8弹垫	1
	CN4000373	M8 gasket	M8平垫	1
7	CN4000874	∅6X20 for the pin. ∅6X20	销轴 ∅ 6X20	1
	CN4000868	Pin, Cotter, ∅ 2X20	开口销 ∅ 2X20	1
8	CN5002406	GM70BT brush motor	GM110BT70刷盘电机	2
	CN5001827	50B brush plate motor carbon brush	50B刷盘电机碳刷	4
9	TN5006601	T560 brush plate motor mounting plate	T560刷盘电机安装板	1
10	15678	SCREW, HEX, M6 X 1.00 X 16, SS	M6X16外六角	6
	01684	WASHER, FLAT, 0.27B 0.69D .05, SS	M6加大平垫	6
11	CN5000246	Mini stainless steel layering	mini不锈钢压条	2
12	CN5002256	GM85BT little pimp	GM85BT小皮条	2
13	CN5003688	GM70BT motor mounting strip	电机安装板皮条	4公斤
14	CN5002208	GM70BT strap silicone pad	GM70BT皮条硅胶垫	12
15	CN4000337	GM70BT M6 strap nut	GM70BT M6皮条螺母	12
16	CN5000478	GMmini outlet cover, GM110	GMmini出水盖板	1
17	CN4000067	M6 * 35 hex	M6X35外六角	6
	01684	WASHER, FLAT, 0.27B 0.69D .05, SS	M6加大平垫	6
18	15678	SCREW, HEX, M6 X 1.00 X 16, SS	M6X16外六角	14
	CN4000405	M6 play mat	M6弹垫	14
	CN4000370	M6 flat pad	M6平垫	14
19	74440	SCREW, HEX, M8 X 1.25 X 40, NL, SS	M8*40外六角	1
	CN4000373	M8 gasket	M8平垫	1
20	15678	SCREW, HEX, M6 X 1.00 X 16, SS	M6X16外六角	5
	CN4000370	M6 flat pad	M6平垫	10
	CN4000405	M6 play mat	M6弹垫	5
	08712	NUT, HEX, LOCK, M6 X 1.00, NL, SS	M6自锁螺母	5

21	24265	SCREW, PAN, PHL, M4 X 0.70 X 16, SS	M4X16小盘头十字	2
	CN4000403	The M4 play mat	M4弹垫	2
	41579	WASHER, FLAT, 08, SS	M4平垫	2
22	CN5001213	GM70BT brush buckle shrapnel galvanized	GM70BT刷扣弹片	2
23	CN5000067	GM70BT automatic brush buckle	GM70BT自动刷扣	2
24	15675	SCREW, HEX, M8 X 1.25 X 16, SS	M8X16外六角	1
	CN4000406	M8 play mat	M8弹垫	1
	CN4000375	M8 extra-large gasket	M8特大平垫	1

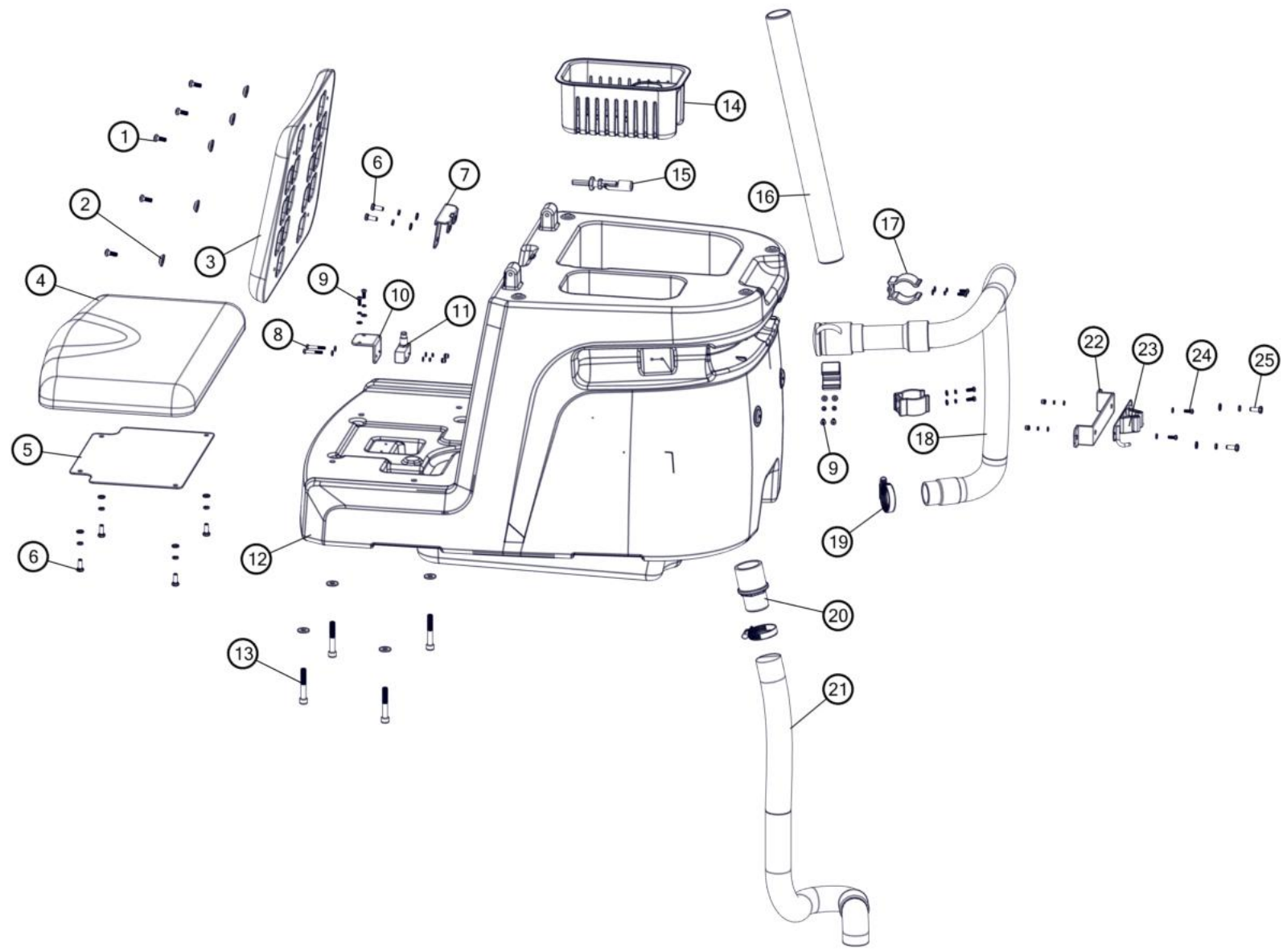




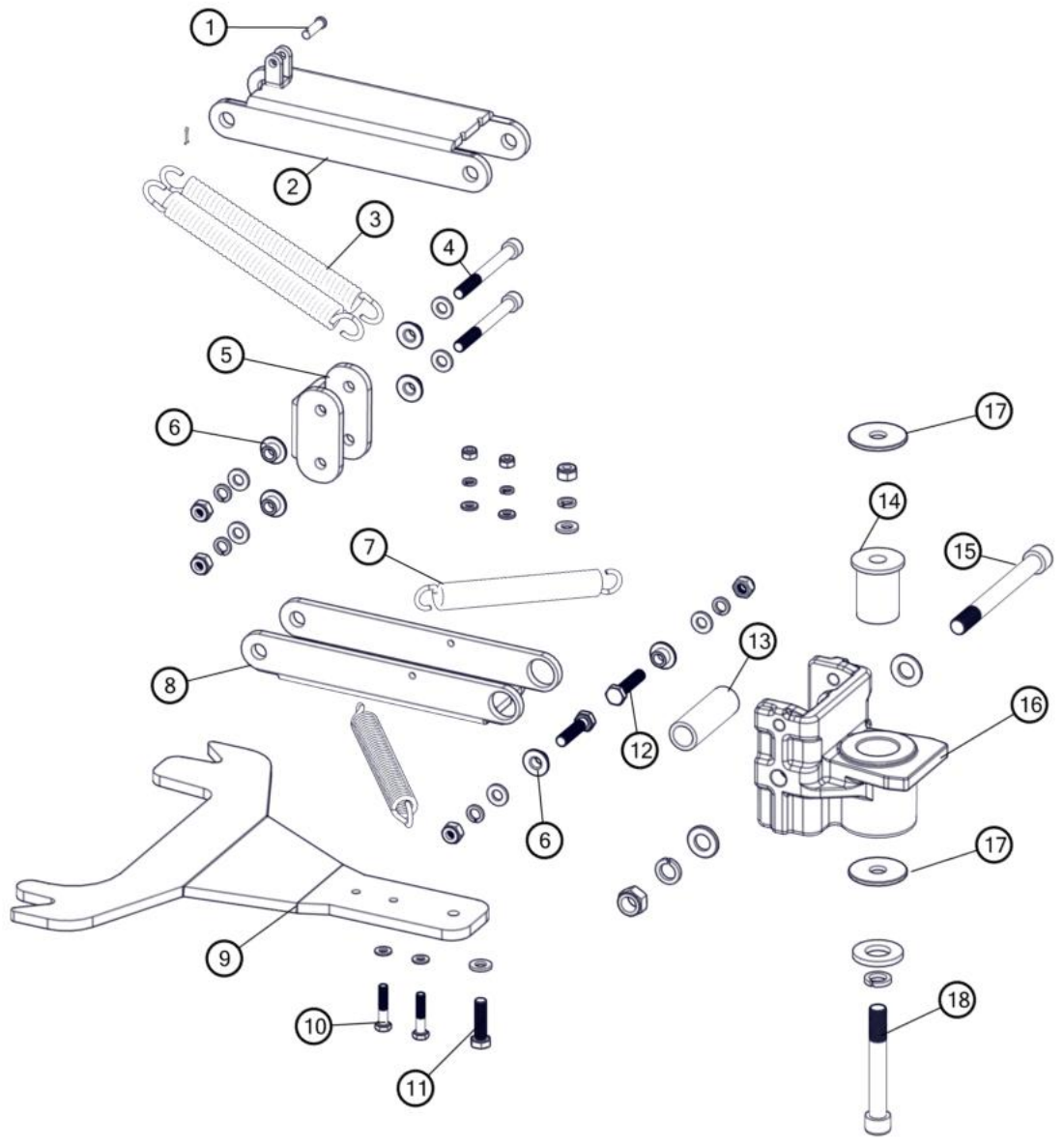
Ref.	Part No.	Description	名称	Qty.
1	CN4000016	φ 16.6 lug clamp	16.6R型卡箍	1
2	CN5001390	G1/2 inner bend, brass	G1/2内丝弯头	1
3	CN5001385	G1/2 outer wire docking	G1/2外丝对接	1
4	CN4000026	φ 25 stainless steel wire clamp	22.6R型卡箍	6
5	CN5001397	G3/8 outer wire X ganizational φ 12 elbow	G3/8外丝× φ 12弯头	1
6	CN5001388	G3/8 outer silk X φ 14 direct	G3/8外丝× φ 14直接	1
7	CN5001393	G1/2 wire X ganizational φ 16 direct	G1/2外丝× φ 16直接	3
8	CN5001402	G1/2 outer wire plug	G1/2外丝堵头	1
9	CN5003603	GM110 water valve body	GM110水阀主体	1
10	CN5002123	Roll brush 110 strainer body	滚刷110过滤网主体	1
11	CN5002163	GM230 clean water filter cove	GM230清水过滤网盖	1
12	CN5002164	GM230 clean water filter	GM230清水过滤网	1
13	CN5003086	GMmini solenoid valve harness assembly	GMmini电磁阀线束	1
14	CN4000784	GM50B M6jÁ25 inner wire star nut	M6×25内丝星形螺母	1
15	CN4000659	φ 33x2.4 inside diameter of the o-ring	O型圈	1
16	CN5000241	Mini water switch handle	mini水开关手柄	1
17	CN5000891	Mini water switch drawing	mini水开关拉丝	1
18	CN5000238	Mini water valve handle holder	mini水阀拉手	1
19	CN5002180	Strainer guide bracket	过滤网导向支架	1
20	CN5001101	Mini strainer plug	迷你过滤网堵头	1
21	CN5002864	φ 12X φ 16 transparent silicone tube,350mm	透明管外,350mm	1
22	CN5002890	Ganizational 16 wire hose	钢丝软管	3



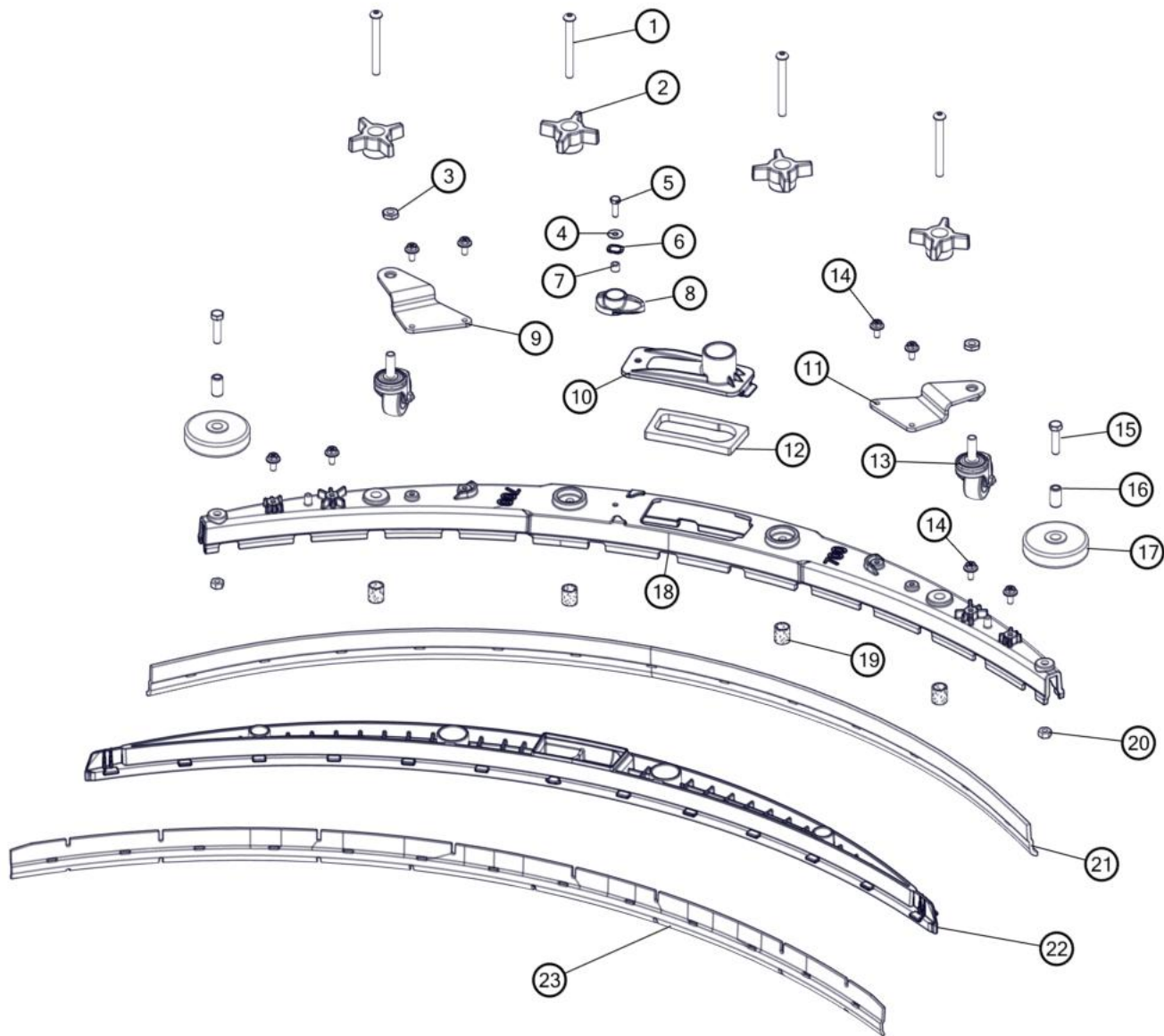
Ref.	Part No.	Description	名称	Qty.
1	CN5003082	Reverse light harness assembly	倒车灯线束组件	1
2	CN4000038	M4*12 large pan head cross	M4X12盘头十字	2
	41579	WASHER, FLAT, 08, SS	M4平垫	2
3	TN5006618	T560 warning lamp holder	T560警示灯座	1
4	TN5006519	COVER, TANK, RECVY, 3kg [T560]	T560污水盖	1
5	CN5000945	Mini sewage tank hinge shaft	mini污水箱铰链轴	2
6	CN5000227	Mini hinge shaft press	mini污水箱铰链轴压板	2
7	CN4000040	M4*10 large pan head cross	M4X10盘头十字	4
	CN4000403	The M4 play mat	M4弹垫	4
	41579	WASHER, FLAT, 08, SS	M4平垫	4
8	CN5002264	GM110 motor inlet hood	GM110马达进风罩	1
	CN4000005	φ 70- φ 90 adjustable ear clamp	70-90可调节耳型卡箍	1
9	363503	SCREW, PAN, PHL, M6 X 1.00 X 12, SS	<del>M6X12</del> 盘头十字	4
	CN4000405	M6 play mat	M6弹垫	4
	CN4000370	M6 flat pad	M6平垫	4
10	TN5006609	T560 Sewage cover support bracket	T560 污水盖支撑固定架	1
11	CN4000202	M8*20 semi-circular head hexagon	M8*20半圆头内六角	2
	CN4000375	WASHER, M8	M8特大平垫	2
12	CN4000169	M6*14 outer hexagonal stainless steel	M6X16外六角	2
	CN4000405	M6 play mat	M6弹垫	2
	CN4000370	M6 flat pad	M6平垫	2
13	CN5001121	Box cover support plate coupling shaft 2	箱盖支撑板连接轴2	1
14	TN5006611	T560 Sewage cover support plate	T560 污水盖支撑板	1
15	CN5001163	Gas spring bushing	气弹簧衬套	1
16	1015506	SCREW, PAN, PHL, M5 X 16, TCUT	M5自攻丝	4
	140011	WASHER, FLAT, 0.21B 0.45D .03, SS	M5平垫	4
17	TN5006608	T560 fan fixing frame	T560 风机固定架	1
18	TN5100001	Motor suction expansion tube,[T560]	T560马达吸口伸缩管	1
	CN4000009	φ 33- φ 57 adjustable ear clamp	33-57可调节耳型卡箍	2
19	CN5002467	GM110B three-layer vacuum motor	GM110B三层真空马达	1
	CN5001828	BRUSH, MOTOR CARBON	GM50B马达碳刷	2
20	TN5006617	T560 fan damping pad	风机减振垫	1
21	TN5006616	T560 fan silencer cotton	风机消音棉	1
22	TN5100009	T560-CR soundproof cotton	T560CR泡棉	1
23	TN5006619	T560 Sewage cover base	T560污水盖底座	1
24	CN5002044	Strainer base	过滤网底座	1
	CN4000034	ST3*12 cross attack	ST3*12盘头十字自攻	3
	CN4000365	M3 flat pad	M3平垫	3
25	CN5003617	GM110 sewage strainer	GM110污水滤网	1
26	15678	SCREW, HEX, M6 X 1.00 X 16, SS	M6X16外六角	6
	CN4000405	M6 play mat	M6弹垫	6
	CN4000370	COVER, TANK, RECVY, 3kg [T560]	M6平垫	6



Ref.	Part No.	Description	名称	Qty.
1	CN4000108	M6 * 25 Allen	M6*25内六角	5
2	CN5002017	Seat plastic cushion	座位塑料垫	5
3	TN4001239	backrest [T560]	T560靠背	1
4	TN4001240	cushions [T560]	T560座垫	1
5	TN5006606	T560 Seat cushion under baffle	T560 坐垫下挡板	1
6	CN4000068	M6 * 12 hex	M6X12外六角	6
	CN4000405	M6 play mat	M6弹垫	6
	CN4000370	M6 flat pad	M6平垫	6
7	TN5006610	T560 backrest fixing plate	T560 靠背固定板	1
8	CN4000118	M4*30 small disc head cross	M4X30小盘头十字	2
	CN4000403	The M4 play mat	M4弹垫	2
	41579	WASHER, FLAT, 08, SS	M4平垫	4
	CN4000323	M4 self-locking nut	M4自锁螺母	2
9	CN4000038	M4*12 large pan head cross	M4X12盘头十字	8
	CN4000403	The M4 play mat	M4弹垫	8
	41579	WASHER, FLAT, 08, SS	M4平垫	8
10	TN5006607	T560 Limit Switch support	T560 限位开关支架	1
11	CN5001551	Plunger travel switch, lwx5-11m	柱塞行程开关	1
12	TN5006521	TANK, RECVY,14kg [T560]	T560污水箱	1
13	CN4000131	M8 * 75 socket head	M8X75内六角	4
	CN4000373	M8 gasket	M8平垫	4
14	TN5006620	T560 Filter basket	T560过滤篮	1
15	CN5003090	GMmini sewage sensor harness assembly	污水感应器线束组件	1
16	TN5006605	T560PVC sewage pipe, φ 40 x 460mm	T560PVC污水管	1
17	CN5001942	GM50B sewage pipe support	排污管支架	3
18	CN5002846	GM130 drainage pipe	GM130排污管	1
19	CN4000004	Ganizational 27-51 adjustable ear clamp	可调节耳型卡箍	2
20	CN5002179	PVC pipe connector	PVC管接头	1
21	CN5002836	GM110 / GMmini suction tube	GM110/GMmini吸污管	1
22	TN5000007	T560 suspension fixed plate	T560挂架固定板	1
23	TN5006621	Mop-hanger clip	拖把挂架卡钩	1
24	CN4000038	M4*12 large pan head cross	M4X12盘头十字	2
	CN4000403	The M4 play mat	M4弹垫	2
	CN4000367	M4 increase the gasket	M4加大平垫	2
	41579	WASHER, FLAT, 08, SS	M4平垫	2
	CN4000323	M4 self-locking nut	M4自锁螺母	2
25	363503	SCREW, PAN, PHL, M6 X 1.00 X 12, SS	M6*12大盘头十字	2
	CN4000405	M6 play mat	M6弹垫	2
	CN4000370	M6 flat pad	M6平垫	2

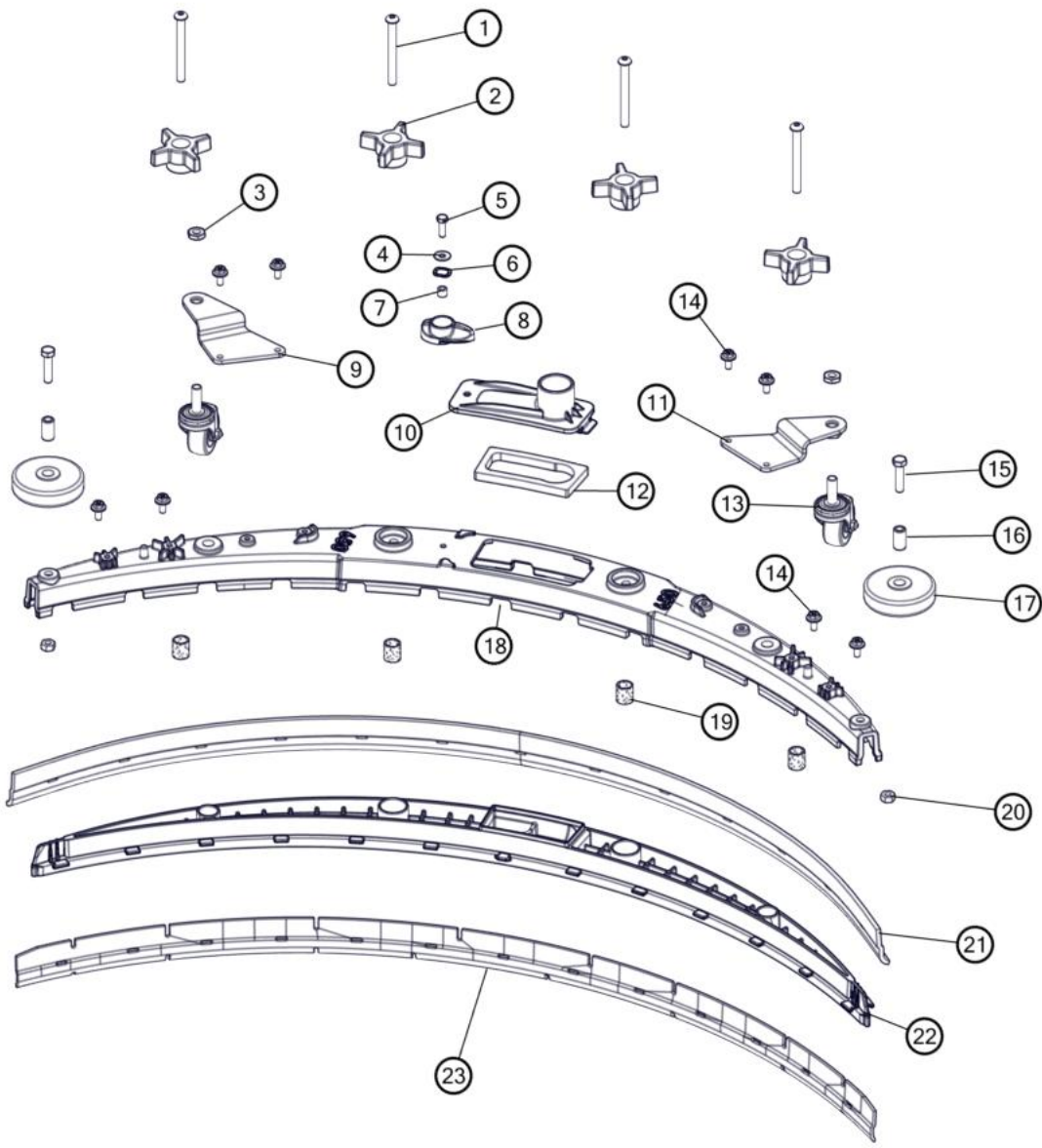


Ref.	Part No.	Description	名称	Qty.
1	TN4100224	Pin, Clevis, $\phi$ 6X25	销轴 $\phi$ 6X25	1
	CN4000868	Pin, Cotter, $\phi$ 2X20	开口销 $\phi$ 2X20	1
2	CN5000322	Mini sucker upper connector welding part	吸扒上连接件焊接件	1
3	CN5001231	GM110 suction steering spring	GM110吸扒转向拉簧	2
4	TN4100223	M8X80 hexagon -30mm teeth	M8X80内六角	2
	CN4000373	M8 gasket	M8平垫	4
	CN4000406	M8 play mat	M8弹垫	2
	08713	NUT, HEX, LOCK, M8 X 1.25, NL, SS	M8自锁螺母	2
5	CN5000261	Grip-adjusting bracket	吸扒调节支架	1
6	CN5000796	GM50B motor connection copper bushing	电机连接铜衬套	6
7	CN5001236	Mini steerage steering spring	mini吸扒转向拉簧	2
8	CN5000321	GMmini pick - up joints welding parts	吸扒连接件焊接件	1
9	TN5006600	T560 suction fixing plate	T560吸扒固定板	1
10	CN4000066	M6 * 30 hex	M6 $\times$ 30外六角	2
	CN4000370	M6 flat pad	M6平垫	4
	CN4000405	M6 play mat	M6弹垫	2
	08712	NUT, HEX, LOCK, M6 X 1.00, NL, SS	M6自锁螺母	2
11	76570	SCREW, HEX,M8 X 1.25 X 30, 8.8	M8 $\times$ 30外六角	1
	CN4000373	M8 gasket	M8平垫	2
	CN4000406	M8 play mat	M8弹垫	1
	08713	NUT, HEX, LOCK, M8 X 1.25, NL, SS	M8自锁螺母	1
12	74440	SCREW, HEX,M8 X 1.25 X 40, NL, SS	M8X40外六角	2
	CN4000373	M8 gasket	M8平垫	2
	CN4000406	M8 play mat	M8弹垫	2
	08713	NUT, HEX, LOCK, M8 X 1.25, NL, SS	M8自锁螺母	2
13	CN5001005	Sucker connection copper sleeve	吸扒连接铜套	1
14	CN5001004	Ganizational 42* ganizational 12.5*44mm	吸扒转轴铜衬套	1
15	CN4000221	M12 * 120 socket head	M12*120内六角	1
	33925	WASHER, FLAT, M12, SS	M12平垫	2
	CN4000408	M12 pad, stainless steel	M12弹垫	1
	09741	NUT, HEX, LOCK, M12 X 1.75, NL, SS	M12自锁螺母	1
16	CN5001022	GM110 suction rotary shaft die casting	吸扒转轴压铸件	1
17	CN5001003	Ganizational 42* ganizational 12.5*3mm	吸扒转轴铜垫	2
18	CN4000211	M12 * 80 socket head	M12*80内六角(12.9级)	1
	CN4000408	M12 pad, stainless steel	M12弹垫	1
	CN4000393	M12 increase the gasket	M12加大平垫	1





Ref.	Part No.	Description	名称	Qty.
1	1212755	SCREW, BTN, M8 X 1.25 X 80, SS	M8X80盘头内六角	4
2	1074204	KNOB,STAR,2.75D 4EAR 1.1L M8X1.25,THRU,Y	黄色十字手拧螺母	4
3	32716	NUT, HEX, JAM, M10 X 1.5, SS	M10薄螺母	2
4	01684	WASHER, FLAT, 0.27B 0.69D .05, SS	M6加大平垫	1
5	12277	SCREW, HEX, M6 X 1.00 X 20, NL, SS	M6X20外六角	1
6	140060	WASHER, .505 X .750 X 0.45 WAVE	波纹垫	1
7	140154	SLEEVE, P/M, 0.25B 0.38D 0.3L, PL	衬套	1
8	1222109	KNOB, SQGE, 58L, M6 X 1.00, PLSTC	槽盖卡扣	1
9	1222236	BRACKET WLDT, CASTER, RH SQGE[T500]	脚轮右支架	1
10	1209631	COVER, TRAP, WATER, SQGE	吸水扒水槽盖	1
11	1222001	BRACKET WLDT, CASTER, LH SQGE [T500]	脚轮左支架	1
12	1210756	GASKET, TRAP, WATER, SQGE	扒槽密封垫	1
13	1006343	CASTER, SWIVEL, 50MMD, M10 X 30, CLR PL	旋转脚轮	2
14	1034731	SCREW, HEX, M6 X 1.00 X 16, SEMS, SS	M6X16带法兰外六角	8
15	09023	SCREW, HEX, M8 X 1.25 X 35, FL, SS	M8X35外六角	2
16	222496	SLEEVE, P/M, 0.32B 0.50D 0.9L [430SS]	衬套	2
17	222066	WHEEL, 03.0D 0.88W 0.50B	防撞轮	2
18	1241632	FRAME, SQGE, 70CM, MACH [T500/T600]	700MM吸扒主架	1
19	22290	COVER, TANK, RECVY, RIBLESS [T300]	弹簧	4
20	08713	NUT, HEX, LOCK, M8 X 1.25, NL, SS	M8自锁螺母	2
21	1221572	BLADE, SQGE, REAR, 1204L, LINATEX[700MM]	后胶条	1
22	1220783	RETAINER, SQGE, 70CM [T500]	700MM胶条保持架	1
23	1232679	BLADE, SQGE, FRONT, 1148L LINARD[700MM]	前胶条	1



Ref.	Part No.	Description	名称	Qty.
1	1212755	SCREW, BTN, M8 X 1.25 X 80, SS	M8X80盘头内六角	4
2	1074204	KNOB,STAR,2.75D 4EAR 1.1L M8X1.25,THRU,Y	黄色十字手拧螺母	4
3	32716	NUT, HEX, JAM, M10 X 1.5, SS	M10薄螺母	2
4	01684	WASHER, FLAT, 0.27B 0.69D .05, SS	M6加大平垫	1
5	12277	SCREW, HEX, M6 X 1.00 X 20, NL, SS	M6X20外六角	1
6	140060	WASHER, .505 X .750 X 0.45 WAVE	波纹垫	1
7	140154	SLEEVE, P/M, 0.25B 0.38D 0.3L, PL	衬套	1
8	1222109	KNOB, SQGE, 58L, M6 X 1.00, PLSTC	槽盖卡扣	1
9	1222236	BRACKET WLDT, CASTER, RH SQGE[T500]	脚轮右支架	1
10	1209631	COVER, TRAP, WATER, SQGE	吸水扒水槽盖	1
11	1222001	BRACKET WLDT, CASTER, LH SQGE [T500]	脚轮左支架	1
12	1210756	GASKET, TRAP, WATER, SQGE	扒槽密封垫	1
13	1006343	CASTER, SWIVEL, 50MMD, M10 X 30, CLR PL	旋转脚轮	2
14	1034731	SCREW, HEX, M6 X 1.00 X 16, SEMS, SS	M6X16带法兰外六角	8
15	09023	SCREW, HEX, M8 X 1.25 X 35, FL, SS	M8X35外六角	2
16	222496	SLEEVE, P/M, 0.32B 0.50D 0.9L [430SS]	衬套	2
17	222066	WHEEL, 03.0D 0.88W 0.50B	防撞轮	2
18	1243537	FRAME, SQGE, 65CM, MACH [T500/T600]	650MM吸水扒	1
19	22290	COVER, TANK, RECVY, RIBLESS [T300]	弹簧	4
20	08713	NUT, HEX, LOCK, M8 X 1.25, NL, SS	M8自锁螺母	2
21	1221585	BLADE, SQGE, REAR, 1136L, LINATEX[650MM]	后胶条	1
22	1221260	RETAINER, SQGE, 65CM [T500]	650MM胶条保持架	1
23	1232680	BLADE, SQGE, FRONT, 1072L LINARD[650MM]	前胶条	1