



CREATING A CLEANER, SAFER, HEALTHIER WORLD.

INNOVATION



ReadySpace[®]

RAPID-DRYING, CARPET CLEANING TECHNOLOGY

- Carpets cleaned with ReadySpace[®] technology are dry and ready for foot traffic in less than 30 minutes
- Maintain carpet appearance and reduce the need for extraction in high traffic areas with more frequent cleaning
- Minimise disruption and re-open spaces faster with quick turnaround times

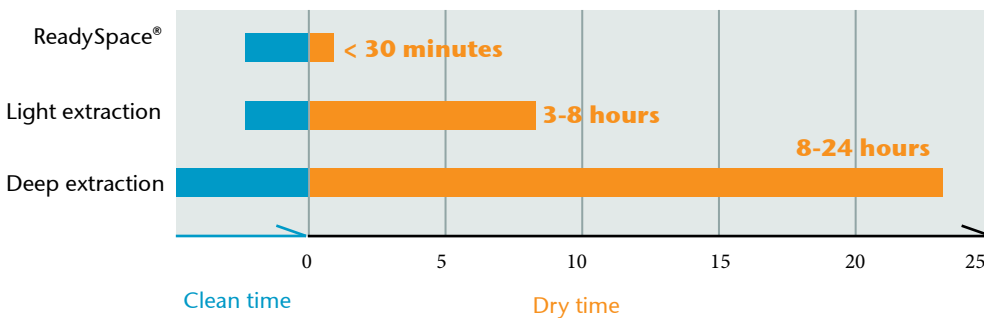
MORE THAN CLEAN, IT'S READYSPACE®

ReadySpace® technology targets soil within the carpet pile that vacuuming doesn't remove. Cleaning this dirt maintains carpet appearance and lustre.

- Effective removal of dirt and debris
- Superb carpet appearance with virtually no wick-back
- Fresher, healthier environments; odours and moulds caused by excess water are minimised
- Longer carpet life; ReadySpace® technology reduces carpet damage (unlike bonneting)

With ReadySpace®, faster drying periods and first-rate cleaning performance make it easy to keep carpets clean and ready for use at all times.

RAPID DRY TIME MEANS THE CARPET IS USABLE SOONER



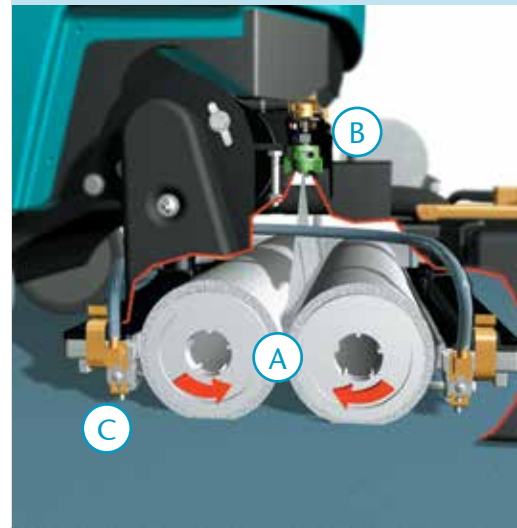
FROM CLEAN TO CROWD IN MINUTES

Re-open spaces sooner. Rapid drying times mean additional hours of carpet use.

A Unique soil transfer rollers are the basis for ReadySpace®. When damp, these fabric rollers grab dirt from carpet fibers and lift it into the machine.

B Inside, sprayers rinse soil from the rollers, not the carpet.

C Two powerful individual vacuum shoes transfer the dirty water into the recovery tank.



SEEING IS BELIEVING

For a demonstration or additional information, send an email to contactus@tenantco.com

Tennant Australia

Toll Free: 1800 226 843
Ph: +61 2 8718 9718

www.tennantco.com.au
contactus@tenantco.com

Tennant New Zealand

Ph: +64 9 253 9013

www.tennantco.co.nz
contactus@tenantco.com