



GREEN MACHINES 400 SERIES
Simply the best machine for the job



Expect more from your sweeper with the versatile 400 Series.

From downtown spaces to college campuses to city parks and zoos, this popular line of Green Machines equipment is compact enough to clean almost any outdoor space. The 400 Series' uniquely attractive styling coupled with its effective sweeping capabilities showcase your commitment to the environment.



DESIGNED AND REFINED

With over 40 years of continuous product improvements, the 400 Series air sweepers are designed to clean even your most challenging outdoor environments and stand up to the rigors of daily use.

USER-FRIENDLY

Available walk-behind and rider models offer maximum versatility and simple controls for ease of operation and improved productivity.



FAST AND FLEXIBLE

The speedy 400 Series gets to the job at up to 10 mph (16 km/h) and sweeps where other city cleaning machines can't – under benches, around planters, and in other hard-to-reach areas.

DEBRIS-HUNGRY

Broken glass, bottles, cans, leaves– this efficient air sweeper reduces litter to one third of its original size. Its easy-to-use wander hose effectively vacuums litter and debris virtually anywhere.



STREET SMART

Attractive and people-friendly, the 400 series sweeps sidewalks and other pedestrian spaces without disrupting patrons, students, citizens, or guests.

414 AIR SWEEPER



424 HIGH-SPEED AIR SWEEPER



THE GREEN MACHINES ORIGINAL

- Clean with the confidence that comes from effortless maneuverability in tight spaces and around obstacles
- Be more environmentally friendly; the Green Machines 400 Series runs with less fuel and noise thanks to its Kubota diesel engine
- Eight-foot Wanderhose allows cleaning in extremely tight spaces.
- Sweep smarter, covering more area in less time due to reduced dump cycles by compacting waste down to 33% of its original size
- Rely on the exceptional performance and value of the 400 Series' tested construction and proven design



Options

- Easily convert the Green Machines 400 Series from walk-behind to rider with a comfortable fold-and-stow seat
- Use your air sweeper year-round with optional snow plow / de-icer package
- Be recognised for your cleaning program; customize the color of any Green Machines model to match your public space's image



THE SPEEDY AND SAFE CHOICE

- Arrive on the job comfortably and safely with 4-wheel, center-steer stability in travel mode
- Boost productivity by reducing trips back to the depot with the 400 Series' spacious rear locker which holds up to 3 filled waste bags
- Get to the work area quickly thanks to its 10 mph (16 km/h) transport speed



Options

- Brave the elements with an easy-to-mount cab for all weather operation
- Simplify your sustainability efforts with an on-board recycling center



Experience innovation that can only come from 40 years of experience.

Trap virtually any dust, dirt, or debris with the combined power of the 400 Series' compaction fan, two-stage dust filtration, and water dust control system.

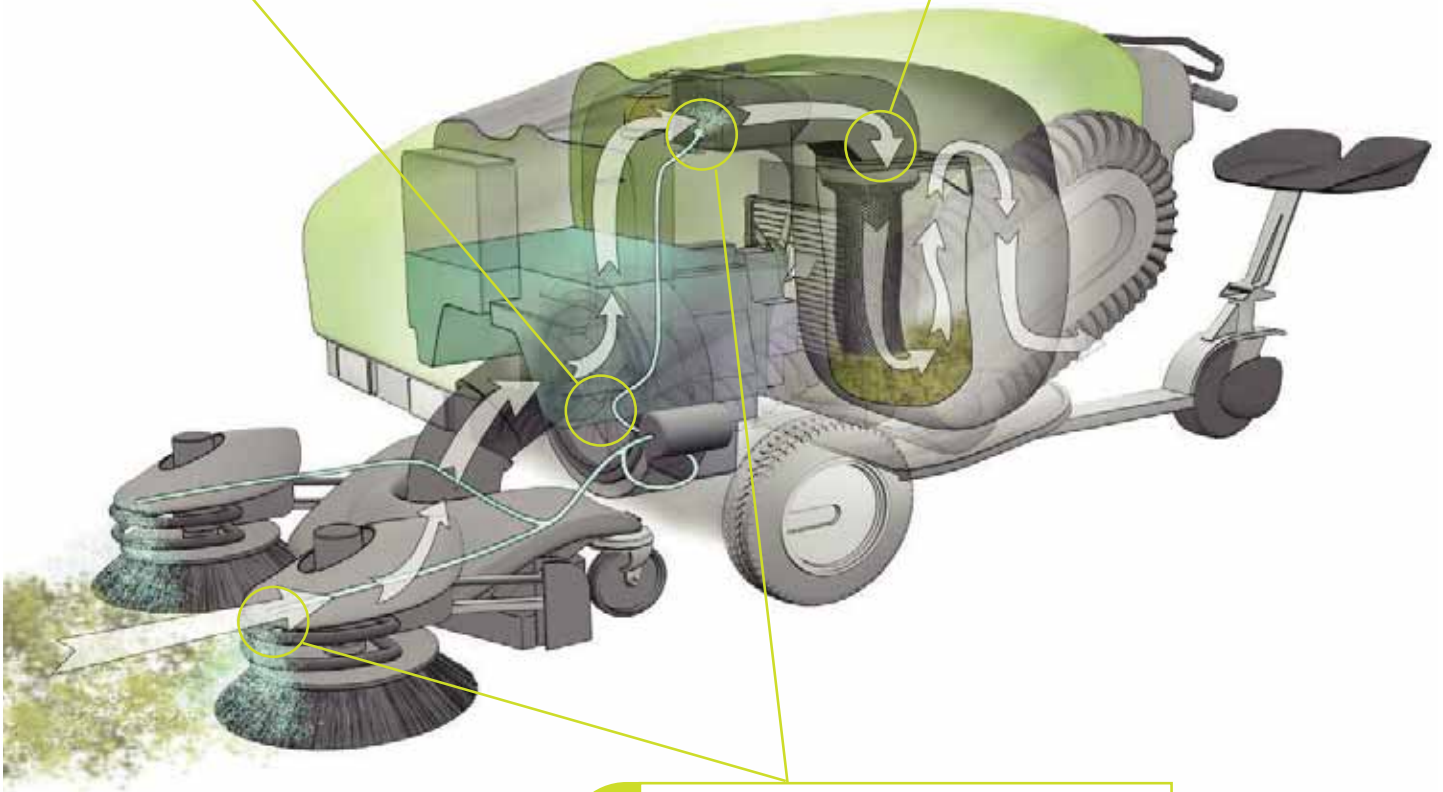
1 Productivity Boosting Compaction Fan. The 400 Series' pulverizing impeller devours debris, reducing leaves and litter to one-third of its original size and broken glass to harmless particles the size of rock salt.

2 Two-stage Dust Filtration. Each stage takes dust out of the airflow:

- Inside the debris bag, nylon debris screen directs particles and debris down into a standard plastic garbage bag.
- The washable filter bag controls and contains the fine dust.

3

Water Dust Control System. Spray jets located on each of the 400 series sweeping brushes and inside the suction tube provide added dust control and can be used to dispense a fragrance in the work area.



Genuine Green Machines Parts, Supplies and Service

GENUINE GREEN MACHINES

ADVANTAGE

Operate your machine with confidence by choosing genuine Green Machines parts. Only authentic Green Machines parts are engineered in conjunction with Green Machines equipment. For years of worry-free operation, accept only genuine parts and supplies.

INDUSTRY'S ONLY FACTORY-DIRECT SERVICE NETWORK

Providing world-class response, completion times and on-site machine service, our factory-trained network of 450 service techs are dedicated to keeping your program up and running.

Choose financing options through Tennant Finance for simple, quick financing with flexible upgrade options and no long-term obligation.

WARRANTY

All parts have a 12 months / 2000 hours parts, 12 months labor and lifetime warranty on the impeller.

OPTIONAL EQUIPMENT

- Customised coloring
- Fold and stow seat (414 only)
- 75 gal / 284 L burlap leafing bag
- Clean & safe attachment (hygienic removal of dog waste)
- Snow plow (not available on 424)
- Recycling center (424 only)
- All weather cab – no tool attachment (424 only)

400 Series Machine Specifications

SWEEPING SYSTEM

Cleaning path (minimum)	47 in	1,200 mm
Sweeping brush diameter	18 in	460 mm
Volume capacity (max)	75 gal	284 L
Disposable bag size (standard trash bag)	30–55 gal	110–200 L
Vacuum impeller diameter	16.6 in	420 mm
Vacuum tube diameter	8 in	200 mm
Wander hose length	8 ft	2.6 m
Wander hose diameter	4 in	100 mm
Brush reach (beyond front of unit)	17 in	440 mm

PROPELLING SYSTEM

Engine-standard (liquid cooled)	Kubota Z482-E diesel 14 hp / 10.4 kW	
Fuel capacity	2.5 gal	9.5 L
Fuel consumption (estimate)	0.25 gal/hr	1 L/hr
Travel speed		
Model 414	0–5.5 mph	0–8.8 km/h
Model 424	0–10 mph	0–16 km/h
Sweeping speed	0–5 mph	0–8 km/h
Stopping distance (25%/11° grade)	24 in	610 mm

DUST CONTROL SYSTEM

Dust filtration system	Two stage filtration Nylon debris screen	
Stage 1		
Stage 2	Synthetic dual material washable filter bag	
Side brush water spray dust control	14.5 gal	55 L

MACHINE DIMENSIONS

Width: 400 Series	46 in	1,140 mm
Length: Model 414	99 in	2,510 mm
Model 424	142 in	3,615 mm
Height: Model 414	45 in	1,120 mm
Model 424	55 in	1,400 mm
Model 424 (cab)	75 in	1,905 mm
Weight: Model 414 (net)	926 lbs	420 kg
Model 424 (net)	1,150 lbs	520 kg
Turning circle (walk-behind mode)	99 in	2,510 mm

CITY CLEANING SOLUTIONS FROM TENNANT COMPANY



600 SERIES



400 SERIES



Sentinel®



ATLV® 4300



S30



M30

Tennant Company

Unit 2, Block Y
391 Park Road
(PO Box 116)
Regents Park NSW 2143 Australia

Sales: 1800 226 843
Service: 1800 008 815
Parts: 1800 008 805
Outside Australia: +61 2 8718 9718
Fax: +61 2 8718 9719

Email: australia@tennantco.com
www.tennantco.com.au