



创建一个更清洁、更安全、更健康的世界。
CREATING A CLEANER, SAFER, HEALTHIER WORLD.

设备 EQUIPMENT



636

多功能紧凑型城市清扫车 THE VERSATILE SWEEPING MACHINE

- CloudMaker™ 喷雾式灰尘控制技术，具有卓越的控尘效果，与传统喷水技术相比，用水量节约了70%。
CloudMaker™ dust control technology provides exceptional dust control, while using up to 70% less water than standard water spray
- 全方位的操作视野，符合人体工程学设计的操作装置，可调节的悬挂式操作座椅。
All-around visibility and ergonomic controls, with fully adjustable suspension seat
- 操作简便，可全天候作业。
Easy to operate and allows any-time cleaning in public spaces



636多功能紧凑型城市清扫车 清扫灰尘和垃圾的清洁性能更胜一筹 OUTSMART DUST AND DEBRIS WITH THE VERSATILE 636 AIR SWEEPER



让您的公共场所来作证吧。不论是清扫城市主干道、人行道、辅道，还是清扫其他市中心区域的广场、步行街等，636多功能紧凑型城市清扫车都会给您留下一个良好的印象。

Let your public space speak for itself. The 636 makes a positive impression in main street, footwalk and secondary road in cities, or in congested square, walking street, where a professional sweeping job is required.

创新式灰尘控制功能 INNOVATIVE DUST CONTROL

置身于微尘颗粒中会引发多种健康问题，而微尘控制也是目前我们所面临的一个日益紧迫的环境问题。636采用了 CloudMaker™ 喷雾式灰尘控制技术和气旋式灰尘过滤系统，具有卓越的灰尘控制功能，因此，与传统街道扫地车相比，用水量节约了70%。636无水循环系统，固减少了对该系统进行定期过滤网、水箱和喷嘴清洁及维护的成本。

Exposure to fine dust particle pollution has been linked to a variety of health problems and is a pressing issue given today's environmental concerns. The 636 air sweeper captures fine dust particulates while using up to 70% less water than traditional street sweepers, thanks to its CloudMaker™ and the three-stage dust control technology. It reduces costs by eliminating the need for complicated water recycling systems, which require regular maintenance and cleaning of filters, tanks, and nozzles.

稳固的构造 SOLID CONSTRUCTION

636的构造选用的是不锈钢材质及其它优质、耐腐蚀的材料，稳定坚固。完全独立的悬吊系统确保扫地车可以在户外各种粗糙路面上平稳行驶。

With stainless steel and other high quality, non-corroding materials, the 636 is built to withstand the elements. Its fully independent suspension system ensures a smooth ride through a variety of rough outdoor surfaces.

快速并且高效 SPEEDY AND PRODUCTIVE

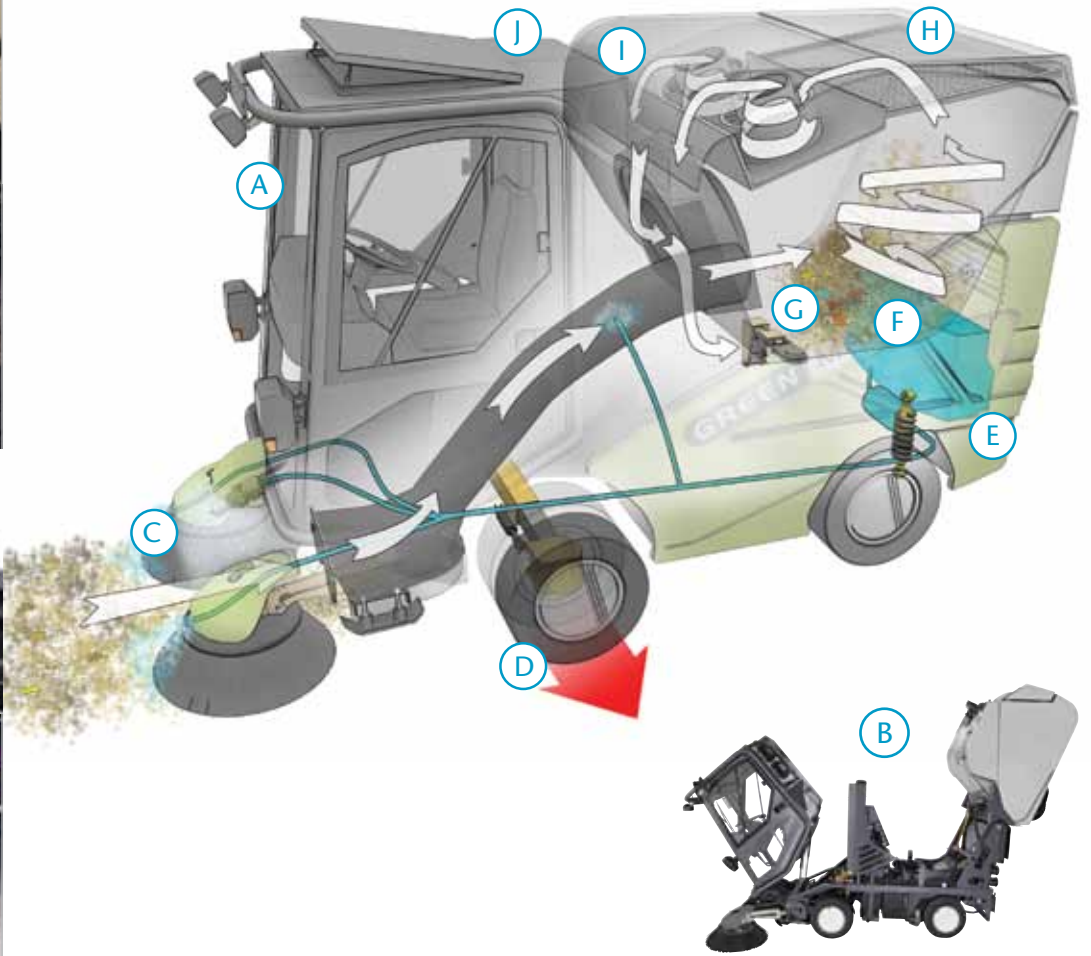
636的运输时速可达40千米，配置 Vari-track™ 轮胎轴长延伸系统以及智能型4轮驱动传动系统，从而确保操作人员可以迅速且安全地驾驶着扫地车抵达工作地点。

Operators arrive at the job quickly and safely thanks to the 636 rapid 40 km/h transport speed, stabilising Vari-track™ extendable front track, and smart transmission with 4-wheel drive.

内部

INSIDE THE

636



A 全方位操作视野令操作更加安全。扫地车配置有内置监控系统，从而使操作和故障排查工作更加简单轻松。636多功能紧凑型城市清扫车还特别配置有一个LCD显示屏，可为操作人员和工程师提供实时信息。
Increase safety due to all-around visibility. Simplify operation and troubleshooting with built-in system monitoring. The 636 features an LCD screen that provides real-time information to the operator and mechanic.

B 完全可接触到所有主要系统组件，进行常规维护和维修工作时更加方便快捷。
Make routine maintenance and service quick and easy with complete access to all major systems.

C 需要对某一区域重点清扫时，独立操作的两个刷头可以彻底清扫障碍物的周围。
Sweep around obstacles with independently operated dual brooms for detailed cleaning wherever needed. Sweep all surfaces with cab-controlled brush pressure and around any obstacles with independent brush control.

D 扫地车配置有 Vari-track™ 轮胎轴长延伸系统，从而使扫地车在快速行驶时更加安全平稳。
Safely travel at higher speeds with remarkable stability thanks to its Vari-track™ extendable front track.

E 采用4轮驱动系统和完全独立的悬吊系统，驾驶时犹如驾驶汽车一样舒适。
Experience a car-quality ride with 4-wheel drive and fully independent suspension.

F 扫地车配置有一个容量为1立方米的不锈钢垃圾箱，有效载荷为800千克，从而提高清洁效率。
Increase sweeping efficiency with a 1 m³ stainless steel hopper and 800 kg.

G 边侧入口气旋面板迫使空气进入一个强大的气旋，先将灰尘和垃圾往下压，然后再脱离气流。
Side entry cyclone swirl plates force air into a large cyclone, pushing dust and debris down and out with the airflow.

H 空气从周围通过并且穿过不锈钢过滤网。
The air passes through stainless steel filter screens.

I 两股气旋一起作用合成一股气旋，在空气从扫地车尾部排出之前将所有剩余灰尘旋出气流，落入垃圾箱中。
The maintenance-free twin cyclones create a cyclonic action that spins virtually all of the remaining dust out of the airflow before the air is discharged from the rear of the machine. The remaining dust falls down into the hopper.

J 636采用了同类型扫地车中较优质的构造，因此经久耐用，您可以放心使用多年。
Rely on the 636 air sweeper's durablebest-in-class construction to last for years to come.

原装坦能零件、供应及服务

GENUINE TENNANT PARTS, SUPPLIES AND SERVICE

坦能服务提供:

Tennant Service Offering

- 最大化安全性, 工作效率和及时更新
Maximise safety, productivity and uptime
- 控制和保护您的投资, 降低总成本
Control and protect your investment and lower your total cost of ownership
- 专业的服务水平
Benefit from professional service technicians

坦能零配件供应

Tennant Parts & Supplies

- 操作设备信心倍增
Operate your machine with confidence
- 常年无忧操作
Benefit from years of worry-free operation

坦能清洁解决方案

Tennant Cleaning Solutions

- 提升您可持续的清洁目标
Further your sustainable cleaning goals
- 满足您公司的可持续发展
Choose sustainable benefits your company wants



ISO9001认证

Certified by ISO9001

636 多功能紧凑型城市清扫车规格 636 MACHINE SPECIFICATIONS*

扫地系统 SWEEPING SYSTEM

清洁宽度: 最小清洁宽度 (刷子) Cleaning path: minimum (brushes in)	1,300 mm
最大清洁宽度 (刷子完全展开) Maximum (brushes fully extended)	2,050 mm
垃圾箱容量 Hopper volume capacity	1 m ³
有效载荷 Payload**	800 kg
垃圾箱材质 Hopper material	不锈钢 Stainless Steel

灰尘控制系统 DUST CONTROL SYSTEM

灰尘过滤系统 Dust filtration system	气旋式过滤 Three-stage filtration
第1级 Stage 1	边侧入口气旋面板 Side entry cyclone swirl plate
第2级 Stage 2	不锈钢过滤网 Stainless steel filter screen
第3级 Stage 3	双气旋 Twin cyclones
灰尘抑制系统 Dust suppression system	标准 Standard
喷雾式灰尘抑制系统 CloudMaker™	12片叶轮 合金钢材质 12 blade alloy steel
真空叶轮 Vacuum impeller	

驱动系统 PROPELLING SYSTEM

发动机 - 标准 Engine-standard	久保田1505T柴油发动机 42马力 (31.4千瓦) Kubota 1505T diesel 31.4 kW
悬吊系统: 前部系统&后部系统 Suspension: front & rear	完全独立的悬吊系统 Fully independent suspension
行驶速度 Travel speed**	最高可达40km/小时 up to 40 km/h
扫地速度 Sweeping speed	0-13 km/h
前轮宽度 Front wheel width	
扫地模式 Sweep mode	1,130 mm
运输模式 Transport mode	1,400 mm

扫地车规格 MACHINE SPECIFICATIONS

长: 标准车型 Length: standard machine	3,450 mm
宽: 扫地车硬件设置宽度 Width: machine hard width	1,140 mm
高: 闪光灯已折叠放下 Height: beacon folded down	1,980 mm
重量: 净重 Weight: net	
空车重量 Kerb Weight***	1,950 kg
整备重量 GVWR	2,800 kg
轴距 Wheel base	1,400 mm
转弯尺寸 Turning dimensions	
路边转弯 Kerb-to-kerb	3,250 mm
靠墙转弯 Wall-to-wall	4,100 mm

可选的设备 OPTIONAL EQUIPMENT

空调 Airconditioning
盘曲软管 Wander Hose
广播 / CD Radio/CD
高压水枪 Street washer
可倒片的彩色闭路电视摄像机 Color CCTV reverse camera

更多的选择或配件请联系您当地的坦能代理商
For more options or accessories please contact your local Tennant representative.

质量保证 WARRANTY

请联系当地销售查询设备质量信息
See your local Tennant representative for warranty information
* 设备规格信息变更
Specifications are subject to change
** 地况限制
where permitted
*** 扫地模式时
ready to sweep



眼见为实

SEEING IS BELIEVING

如需产品演示或更多产品信息, 请与我们联系。

销售热线: 800 820 2366

服务热线: 400 820 0885

网 址: www.tennantco.com.cn

邮 箱: tennantchina@tennantco.com

1.501.001.ap.cn 636 手册 04/2012

©2012 坦能公司的标志和其他指定的带有符号“®”的商业标志注册于美国和/或其他国家。坦能公司的产品销售和服务通过其子公司以及经销商进行。

©2012 The Tennant Company logo and other trademarks designated with the symbol “®” are trademarks of Tennant Company registered

in the United States and/or other countries. Tennant Company's products are sold and serviced through subsidiaries of Tennant Company and distributors.

坦能清洁系统设备(上海)有限公司
地址: 上海市青浦区白鹤镇漕盈路
3777号1幢(201712)
电话: (8621) 6922 5333
传真: (8621) 6922 5262

坦能北京分公司
地址: 北京市朝阳区高碑店高井文化园
南广场1号楼西区(100123)
电话: (8610) 8579 5990
传真: (8610) 8576 0990

坦能广州分公司
地址: 广州市天河区员村四横路128号
红专厂艺术生活区F12B(510665)
电话: (8620) 3703 9887
传真: (8620) 3703 9820